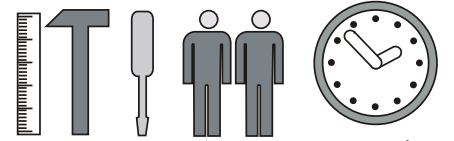
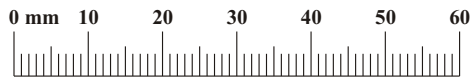
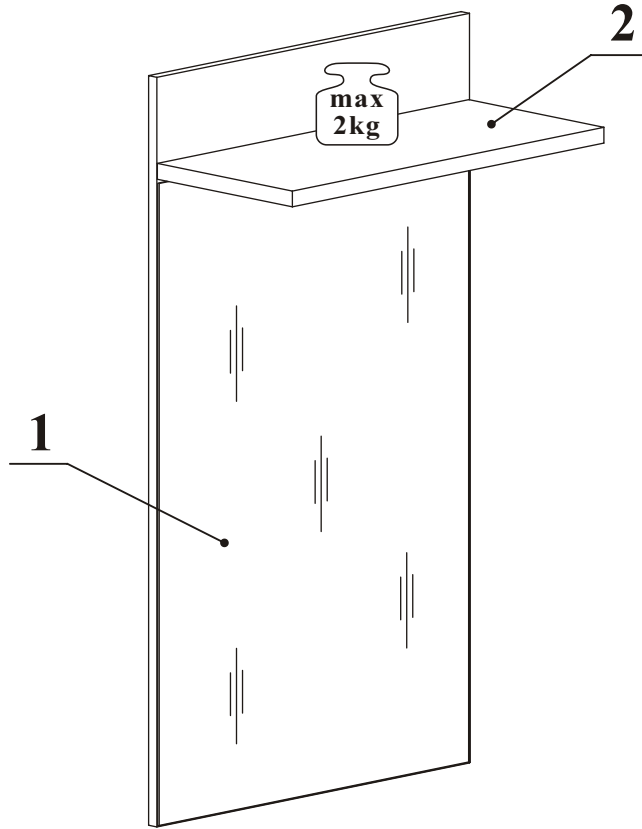
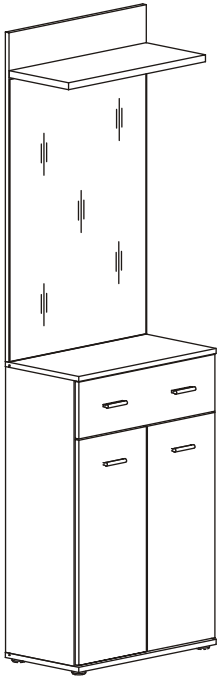


2

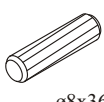
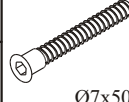

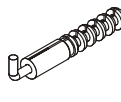


ARMARIO 1

(type-E)

24 DSAR-E



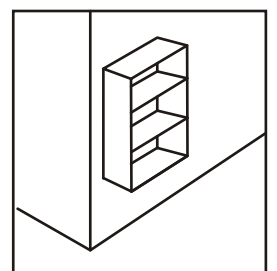
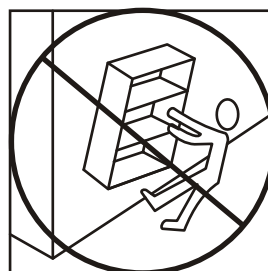
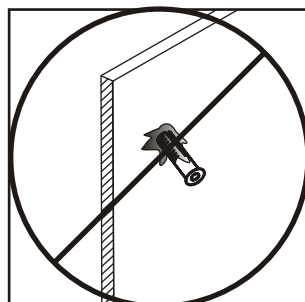
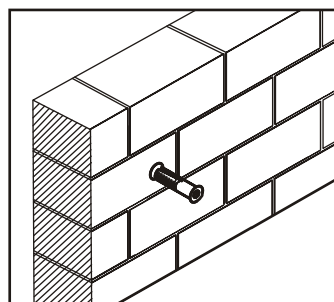
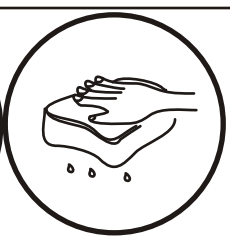
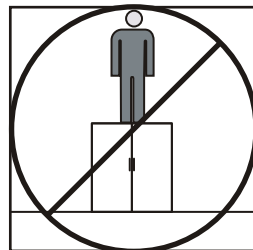
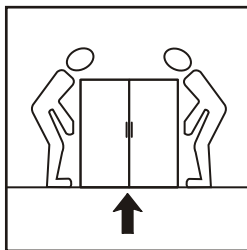
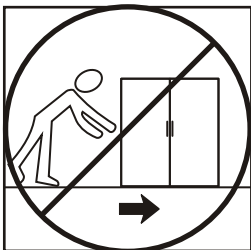
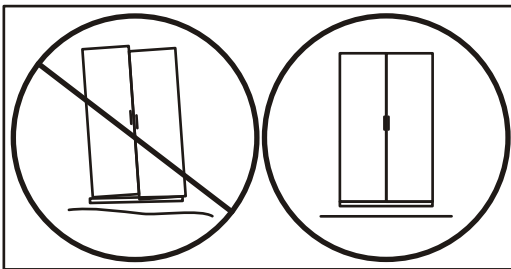
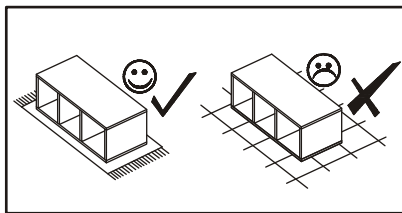
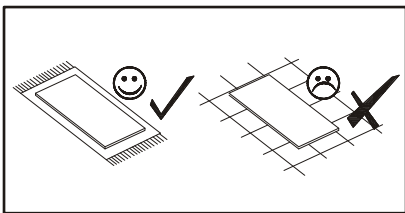
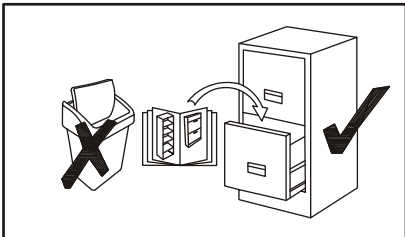
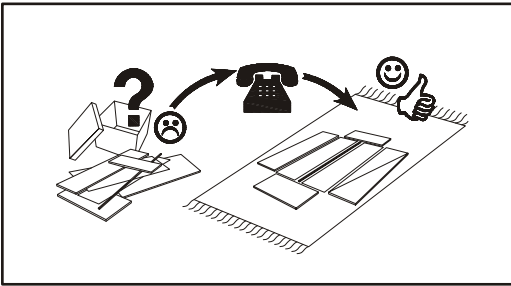
30 min.

A1		B11		G4		KR2		D8		G2	
X3	ø8x36	X2	Ø7x50	X2		X2		X4	ESØ5x13	X1	

ARMARIO 1

(type-E)

24 DSAR-E

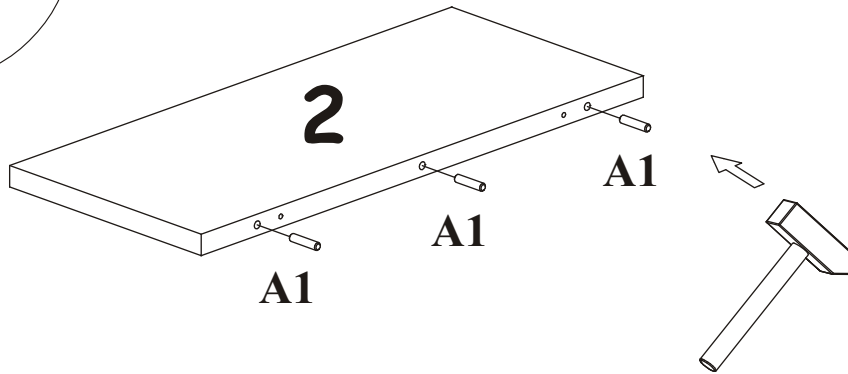
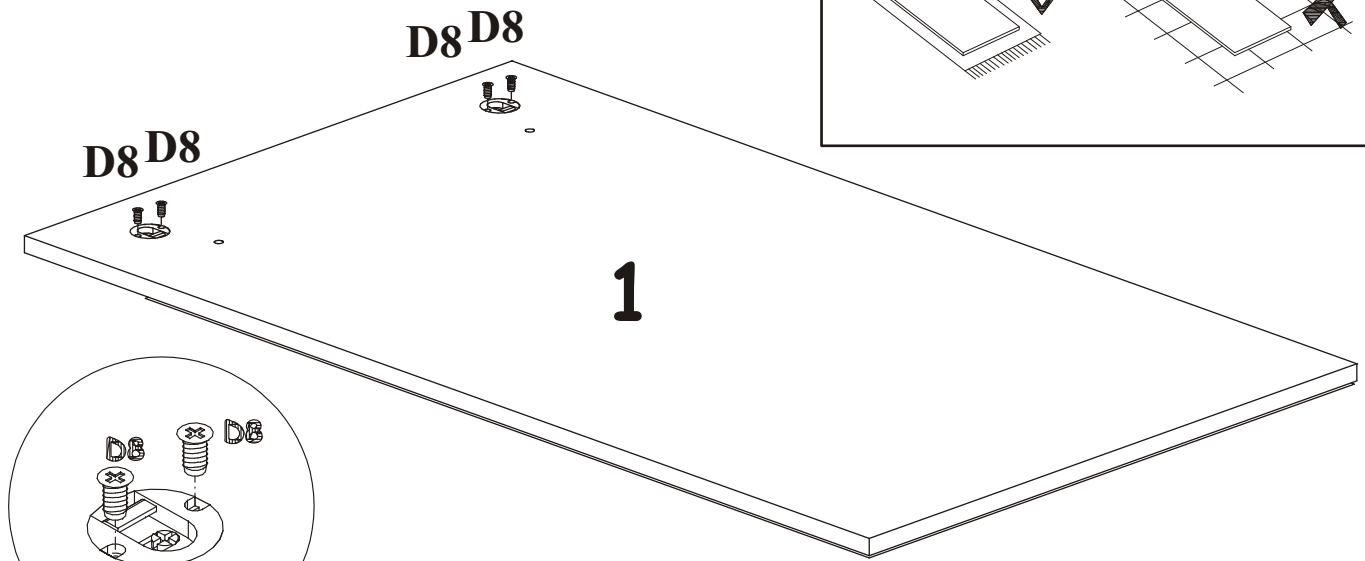
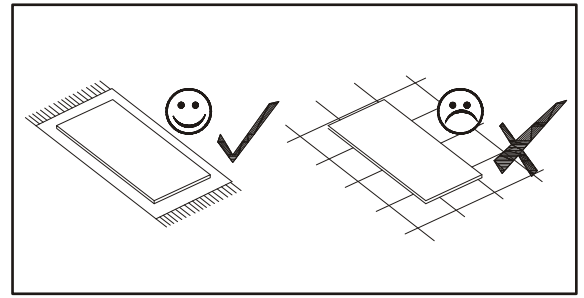


ARMARIO 1

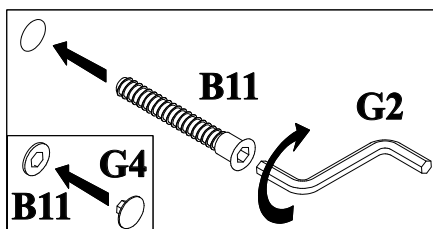
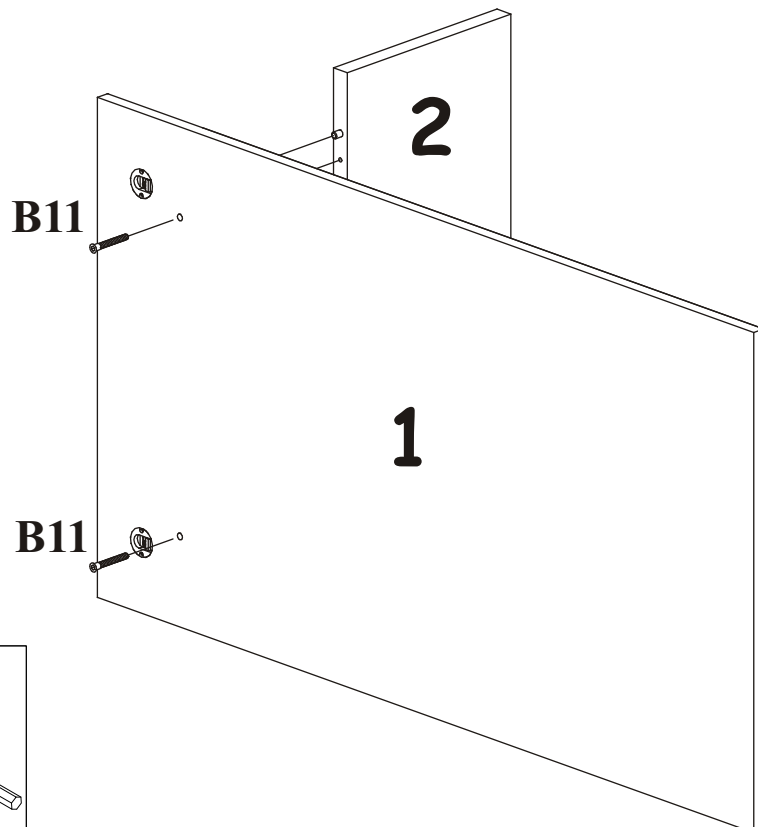
(type-E)

24 DSAR-E

1



2

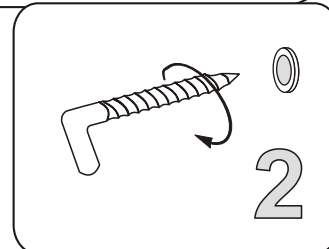
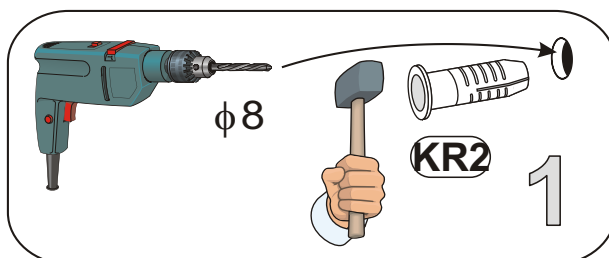
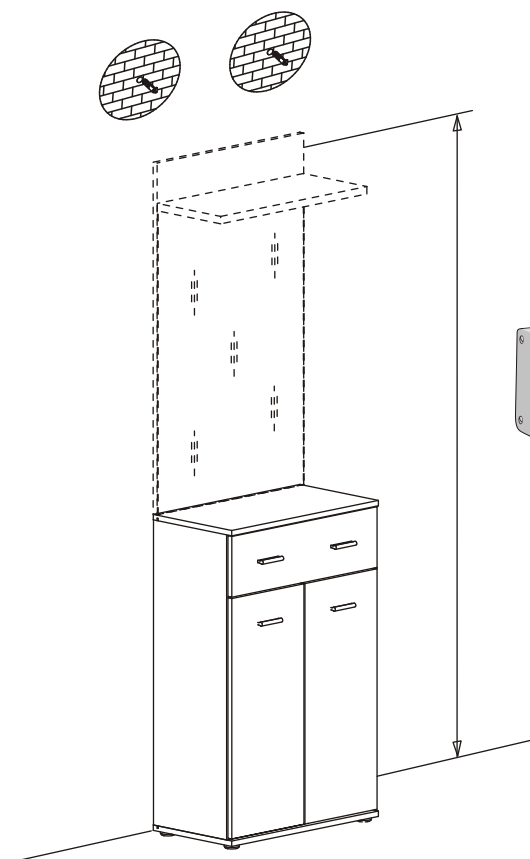


ARMARIO 1

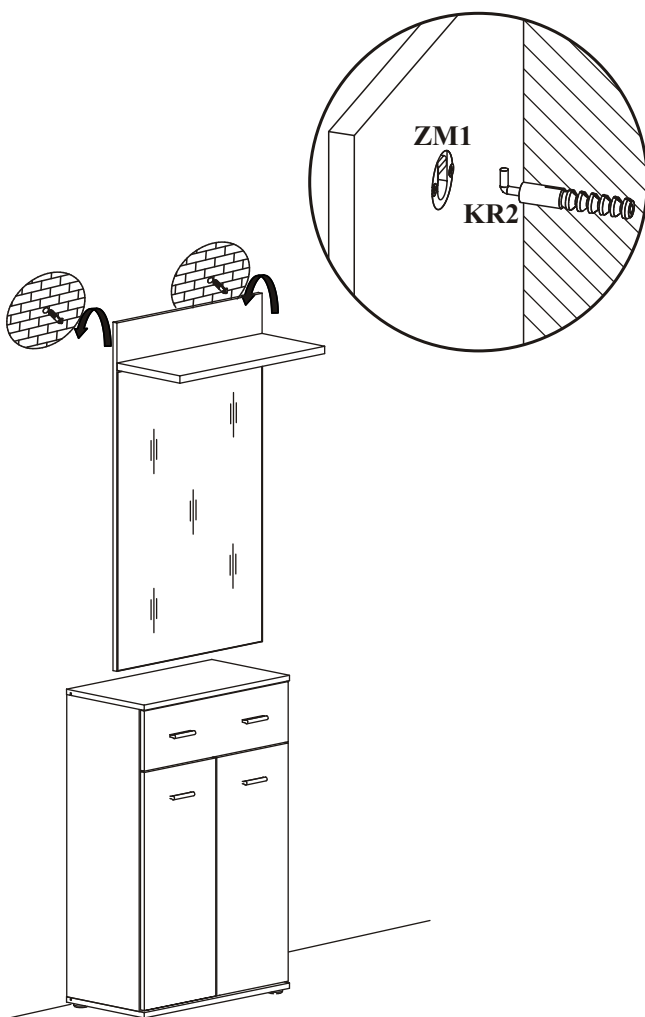
(type-E)

24 DSAR-E

3



4



5

