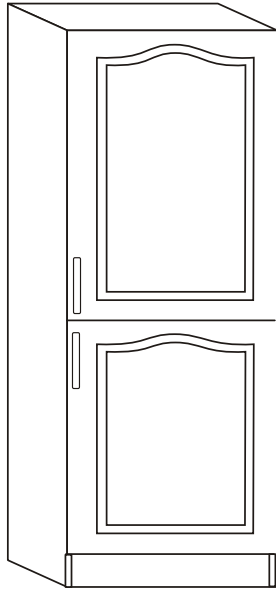



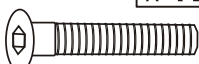

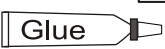

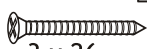
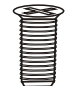
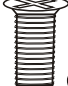






# System / Sektor: MDF

S-60 / S-40



 x 2	 x 4	 x 1	 x 12
 x 16	 x 1	 x 12	 3 x 26 x 4
 5,3 x 13 x 8	 6,3 x 13 x 8	 x 40	 x 4



S-60 / S-40

