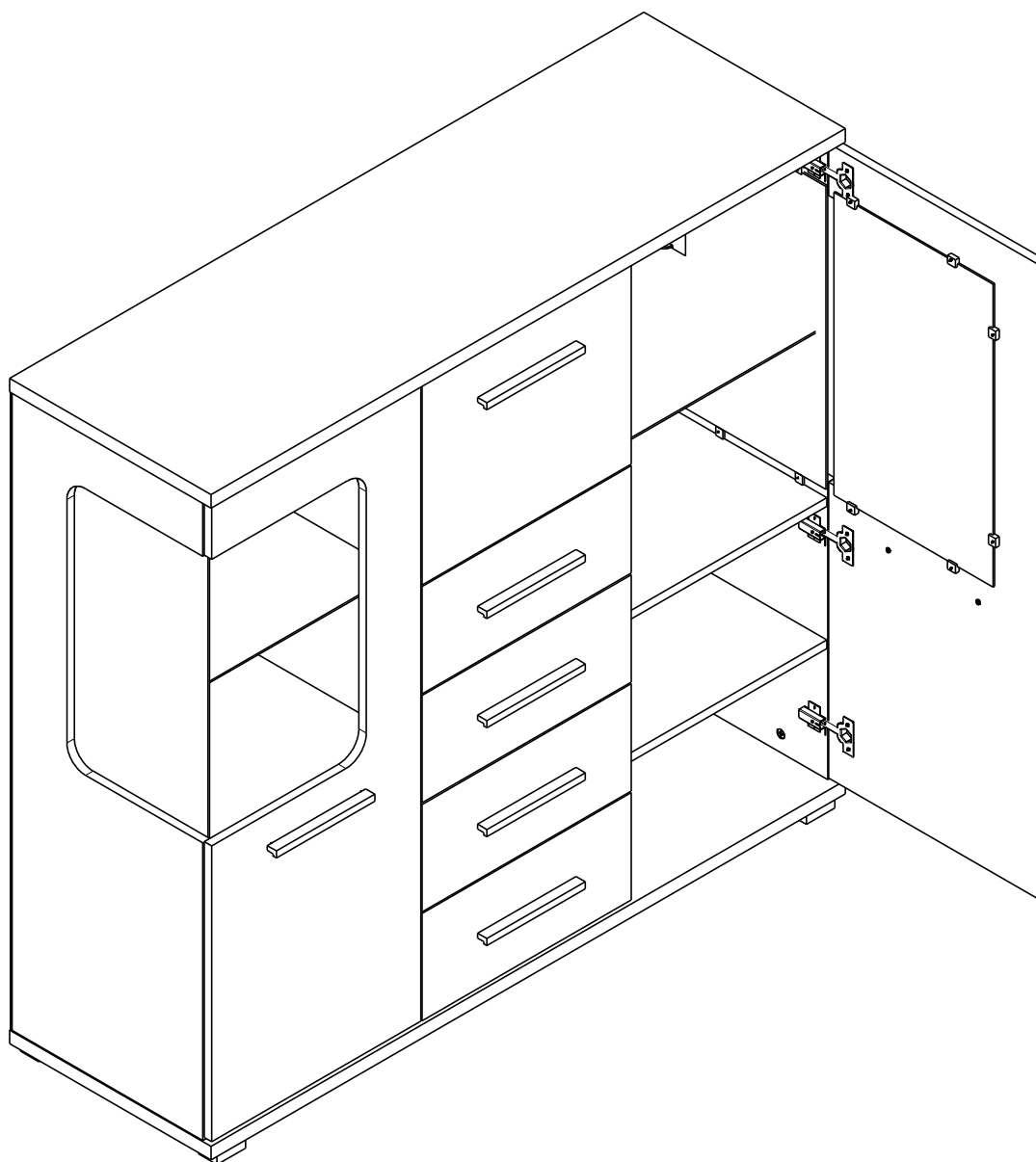
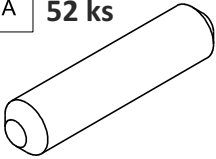
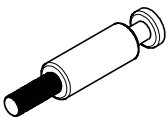
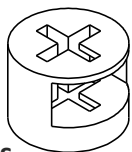

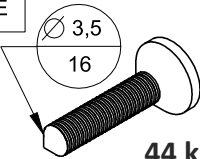
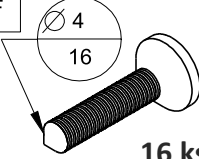
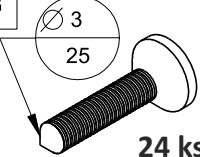
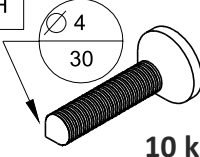
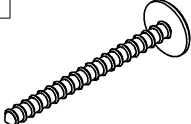
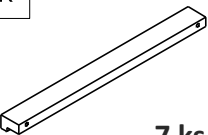
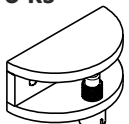
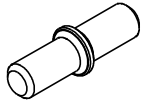
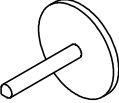
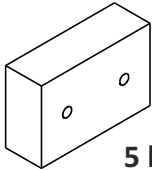
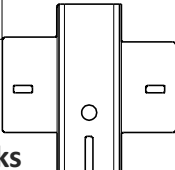
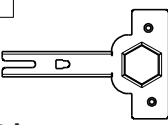
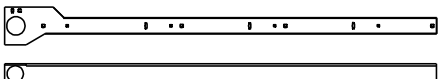


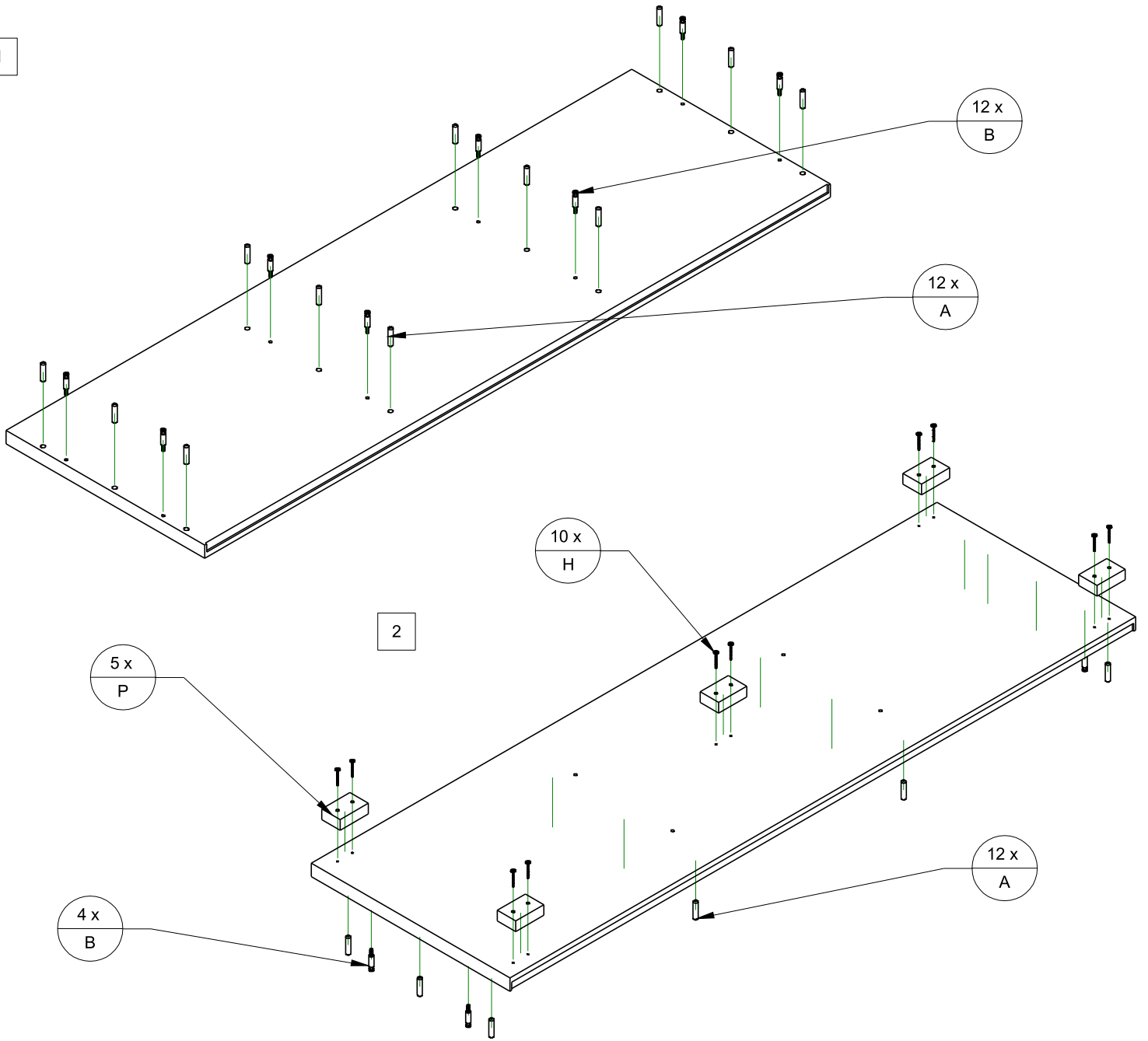
Everest 06

Presklenná komoda s barom



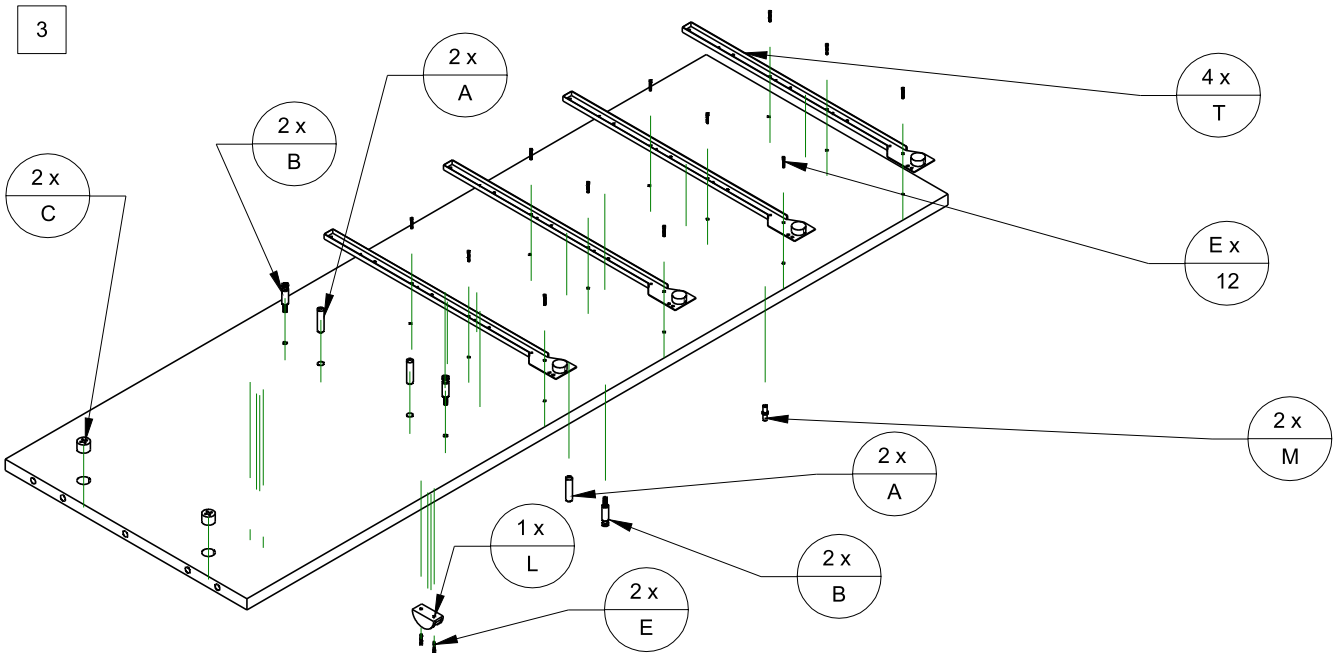
A 52 ks 	B 24 ks 	C  24 ks	D 20 ks 	E  44 ks	F  16 ks
G  24 ks	H  10 ks	J  14 ks	K  7 ks	L 6 ks 	M 8 ks 
N  70 ks	P  5 ks	R  6 ks	S  6 ks	T 4 kpl. 	

1

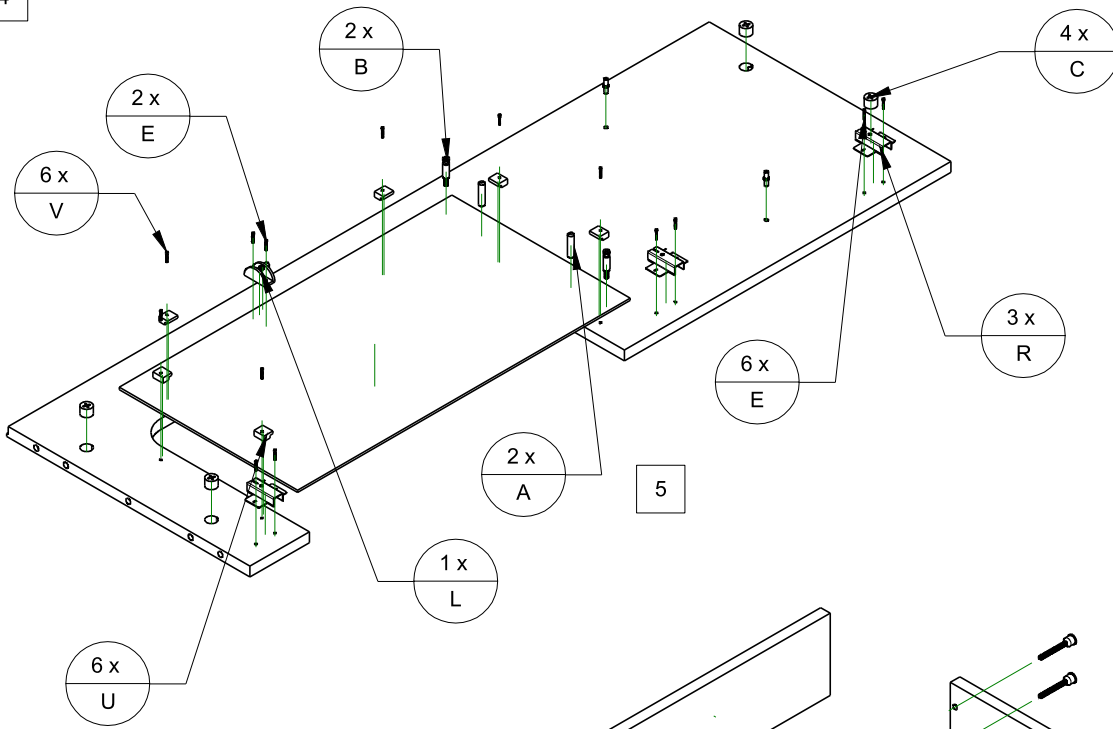


2

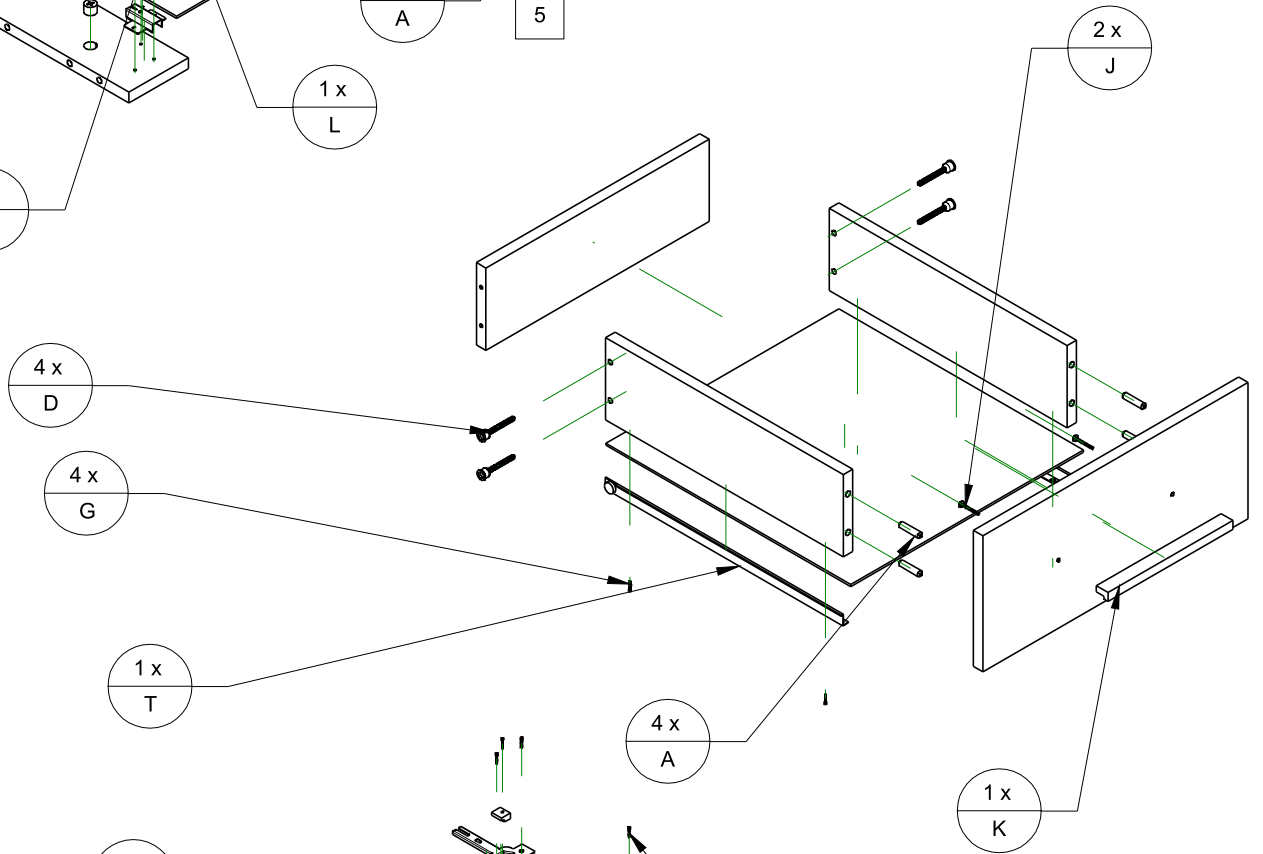
3



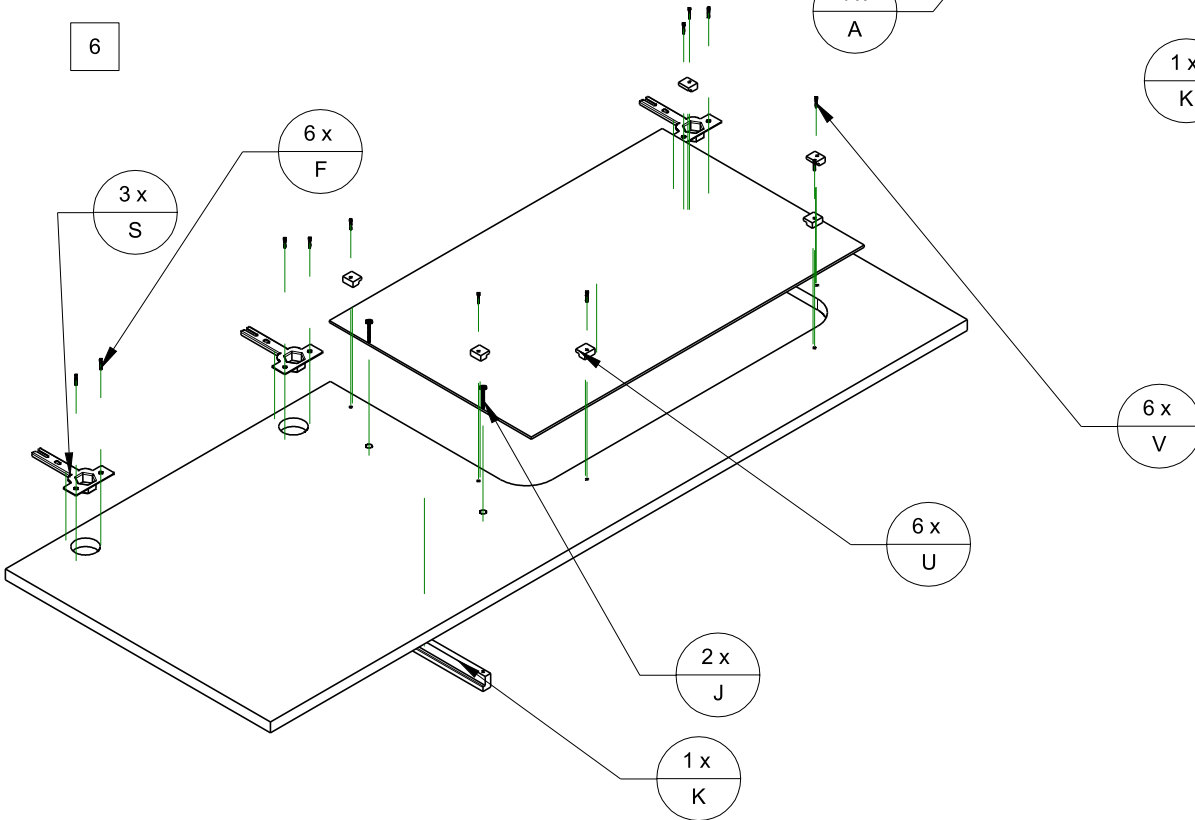
4



5

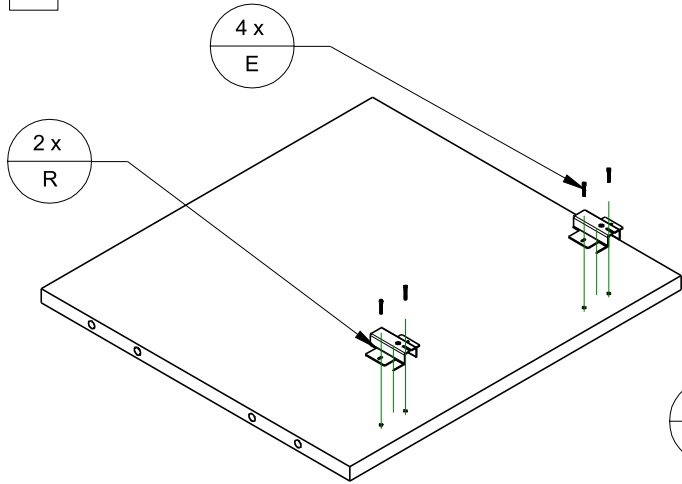


6

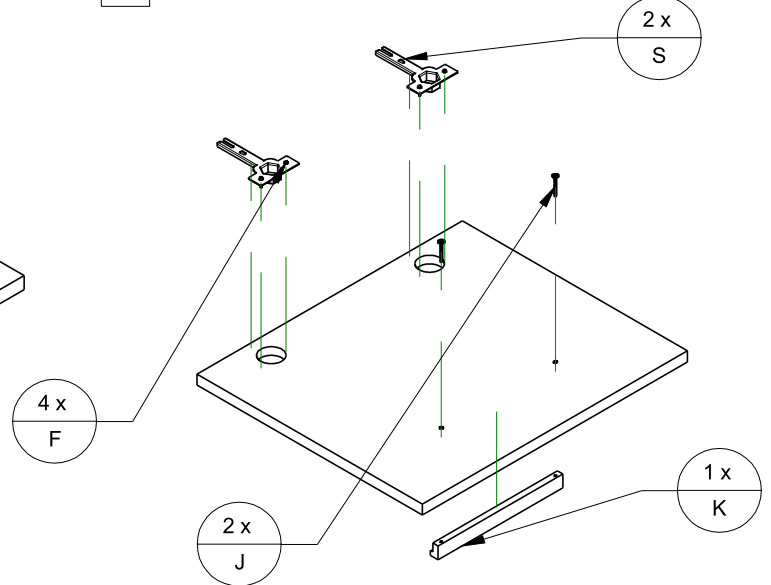


V	3 x 36 ks 16
U	24 ks

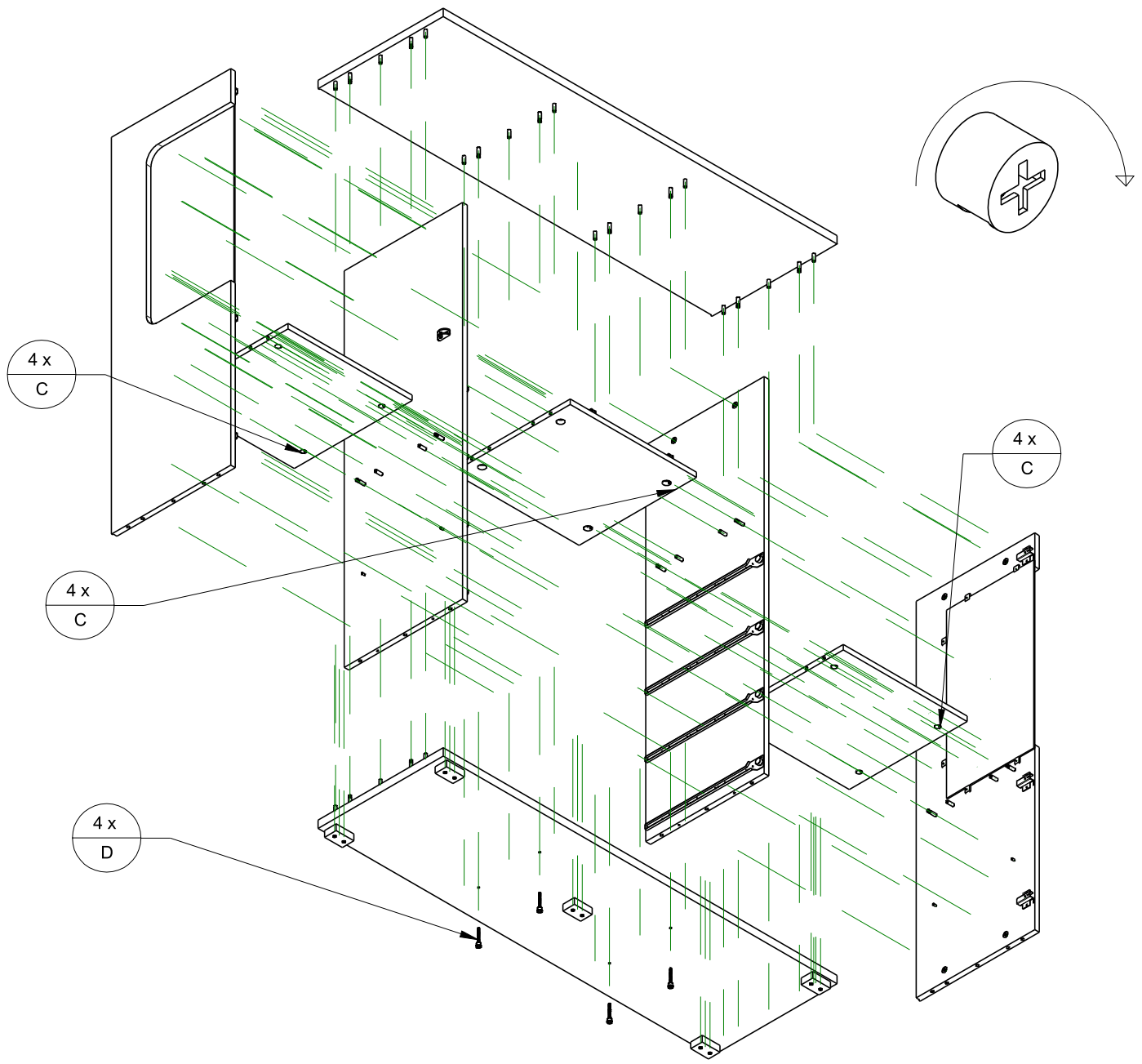
7

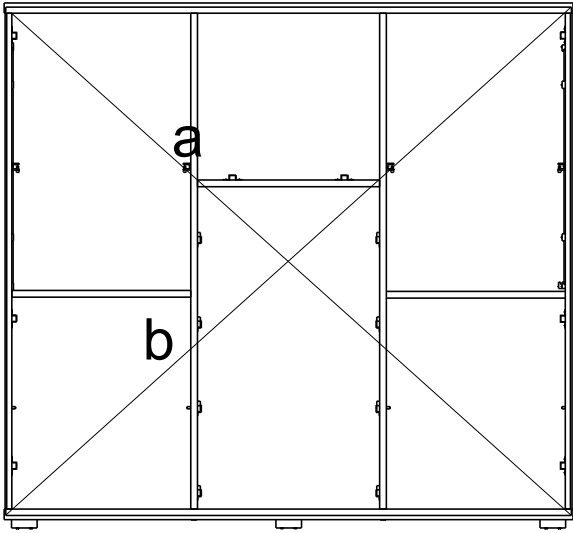


8



9





$a=b!$

70 x
N

