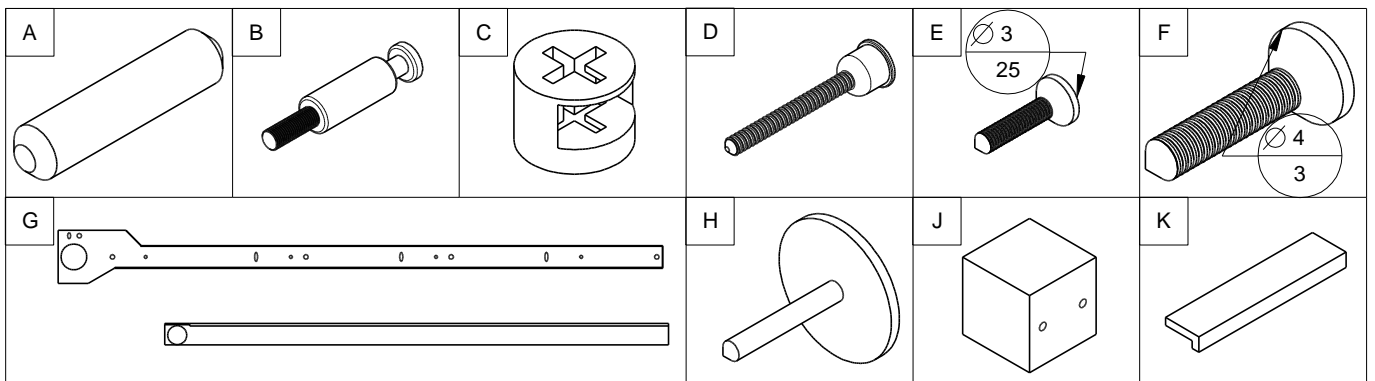
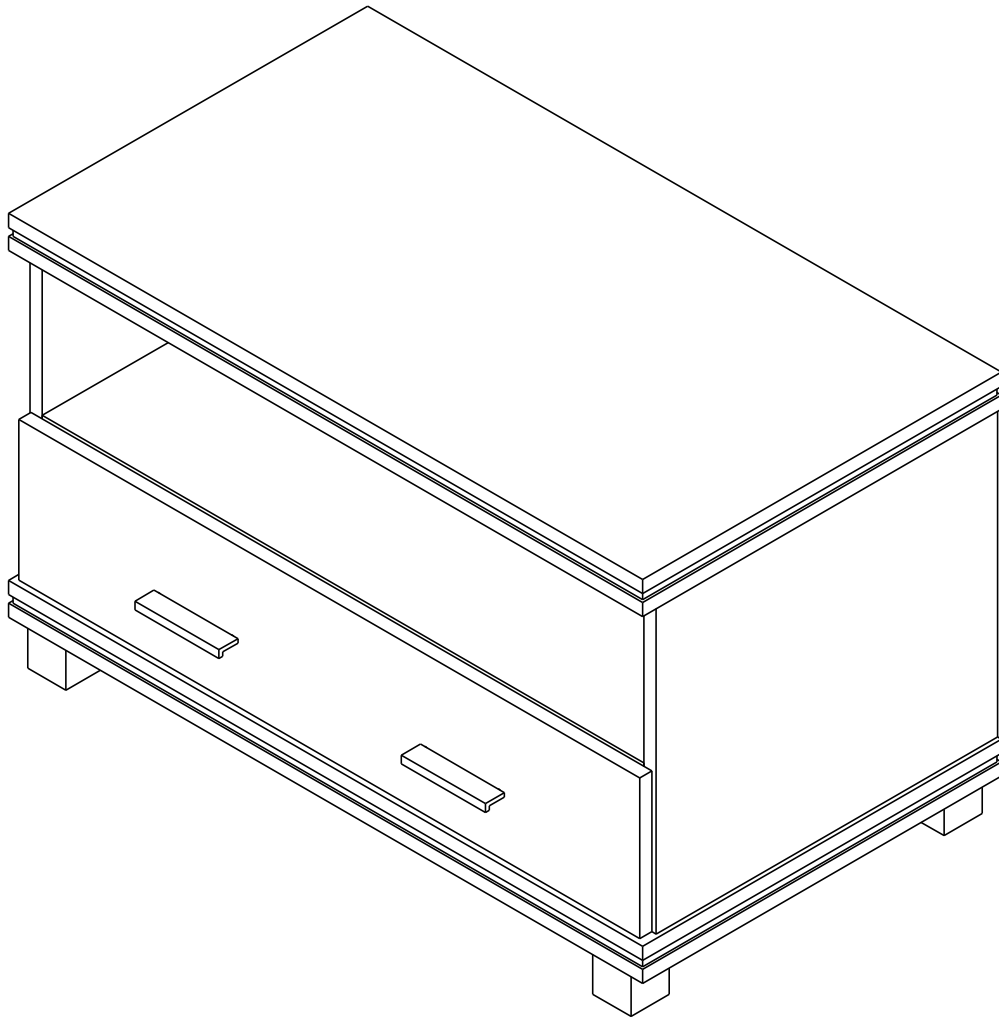
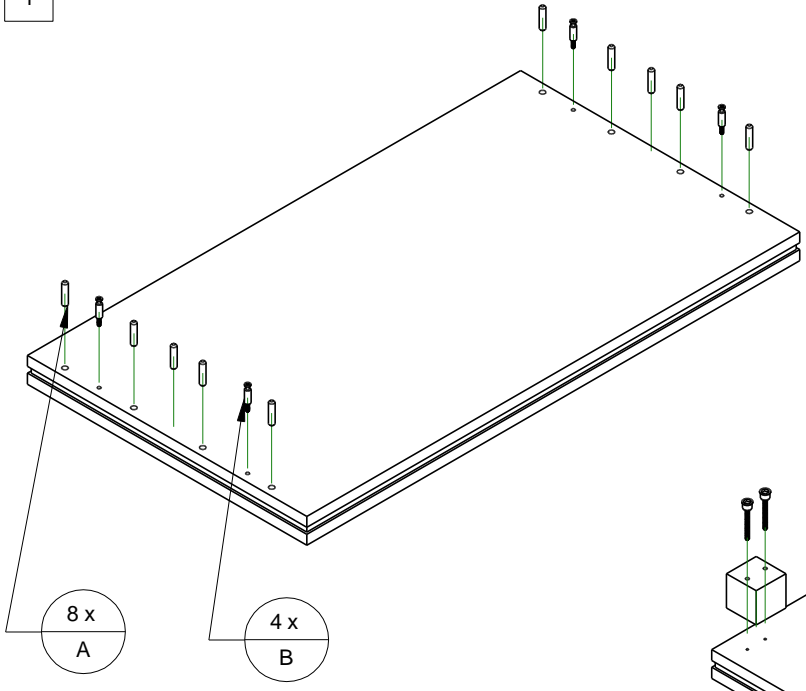


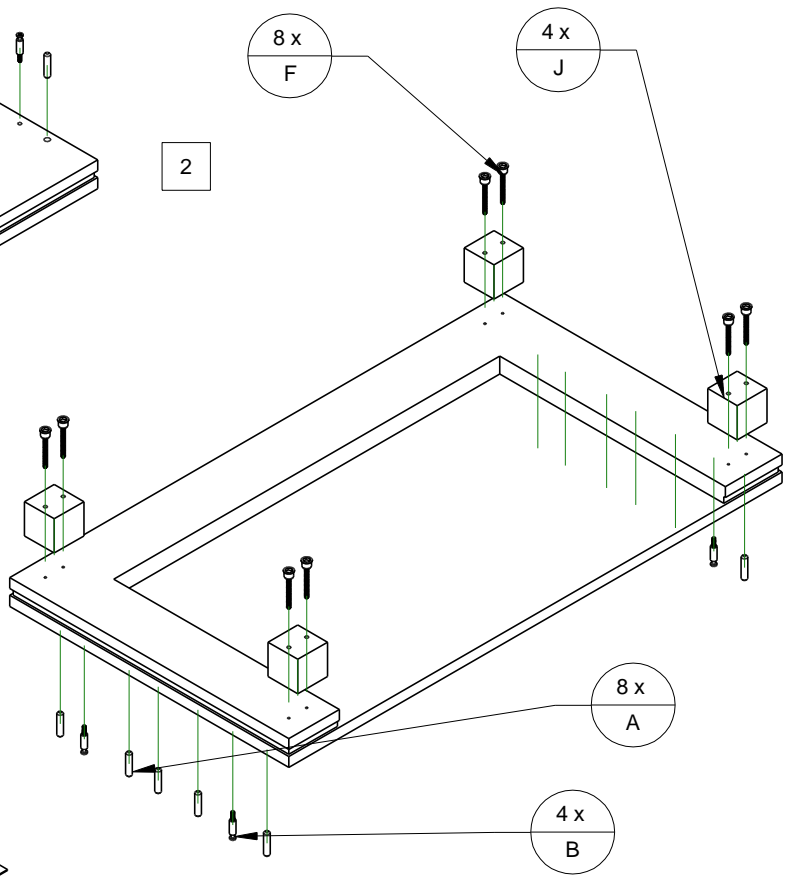
CARLA 17 RTV CRTV-1



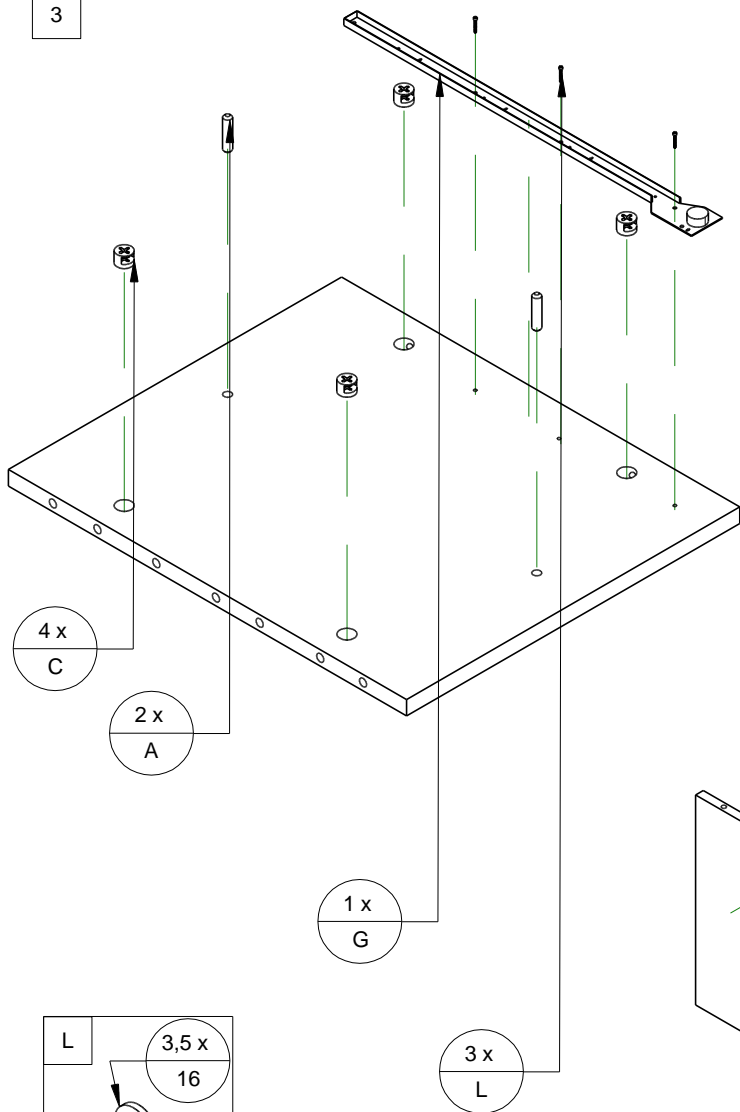
1



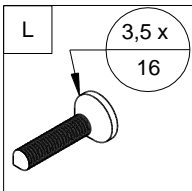
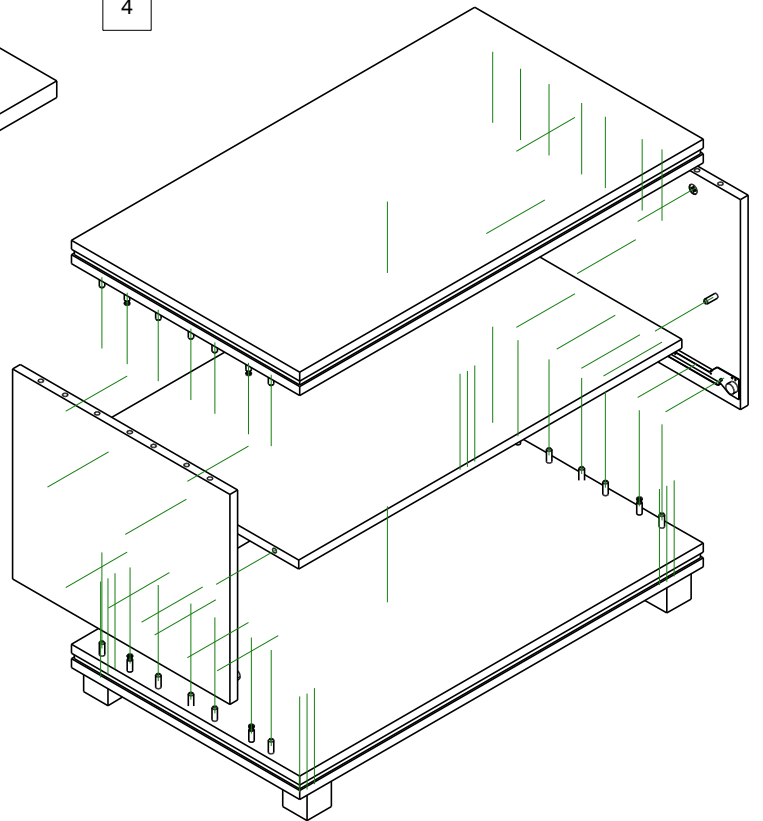
2



3



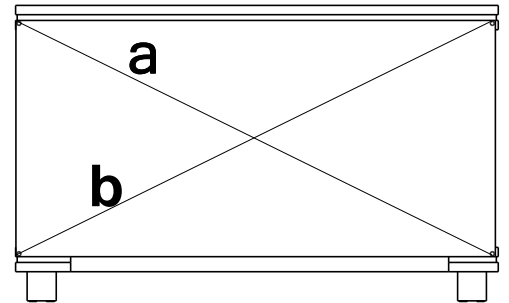
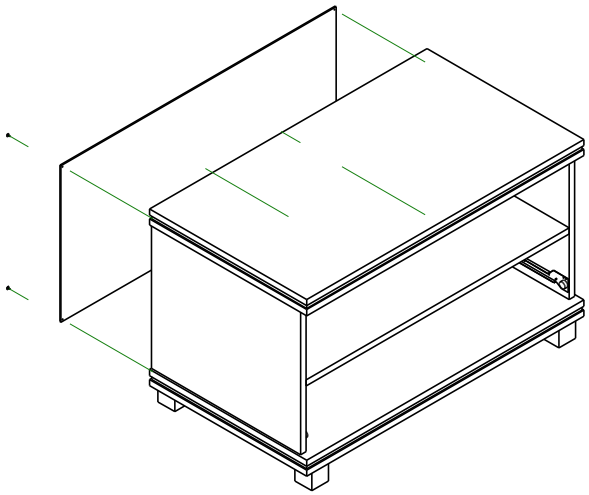
4



5

40 x
H

a=b !



6

7

2 x
K

1 x
G

6 x
E

2 x
A

4 x
D

