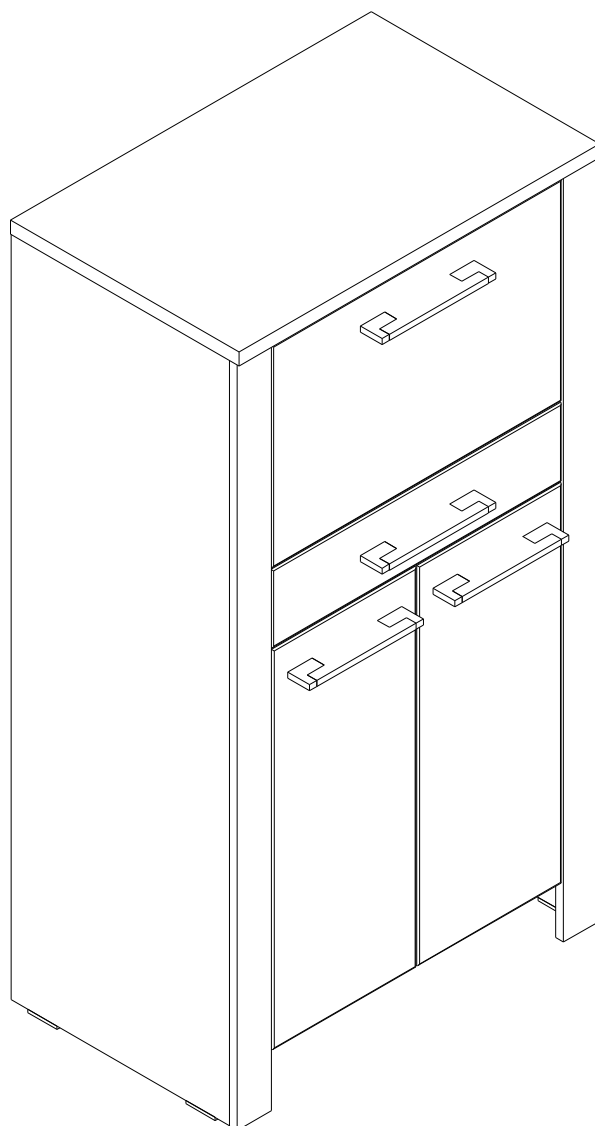
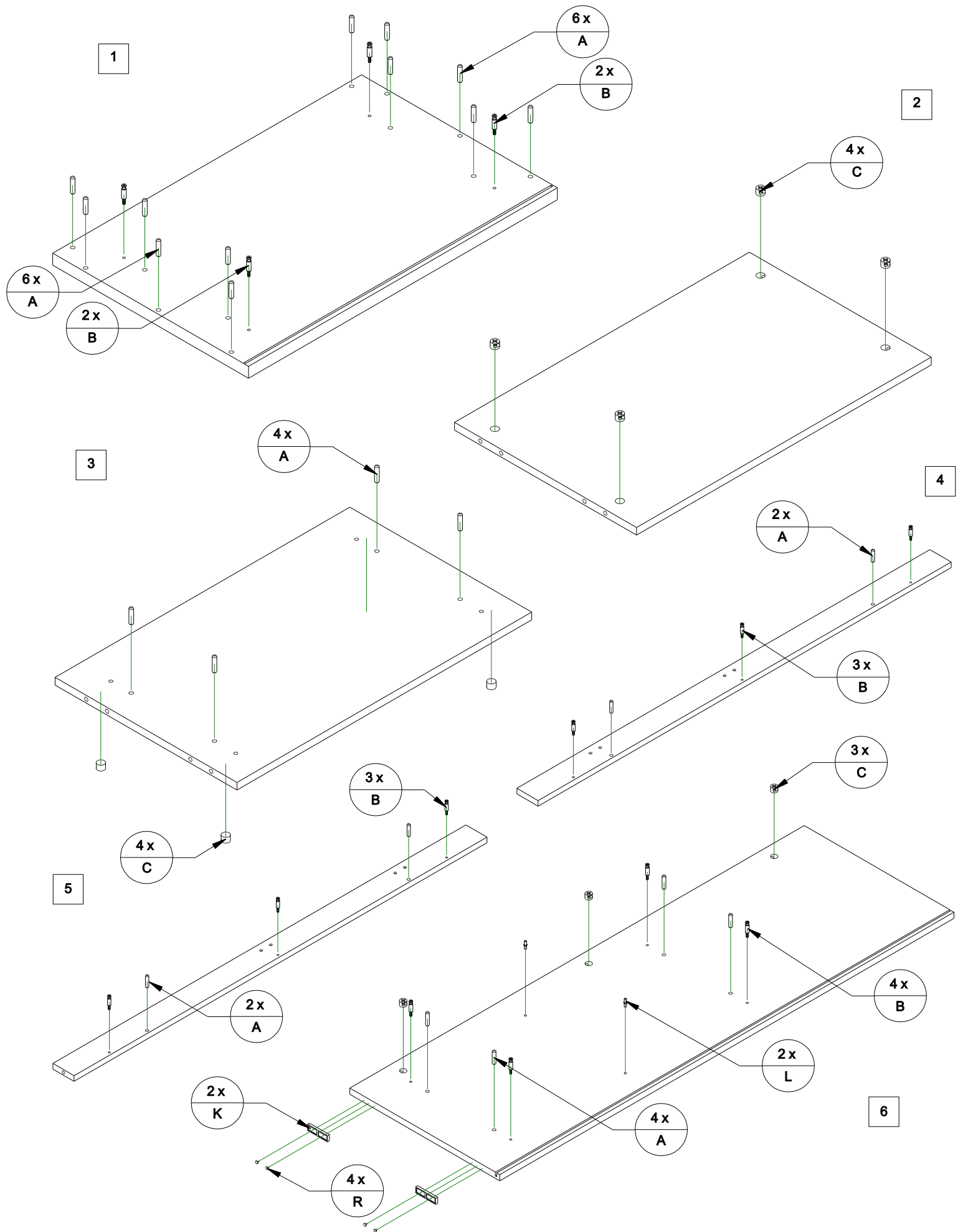
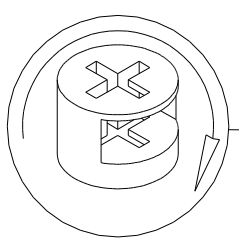
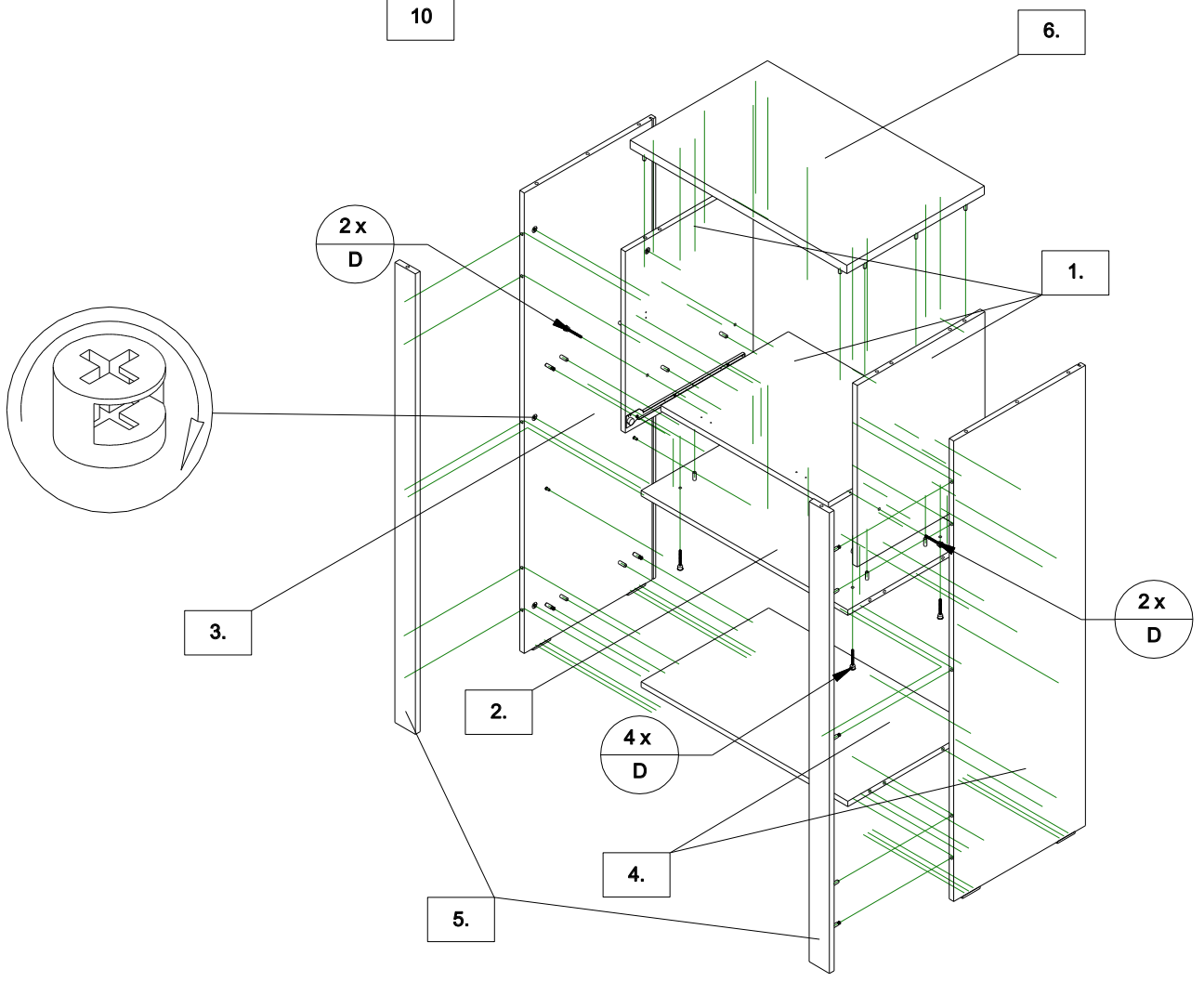
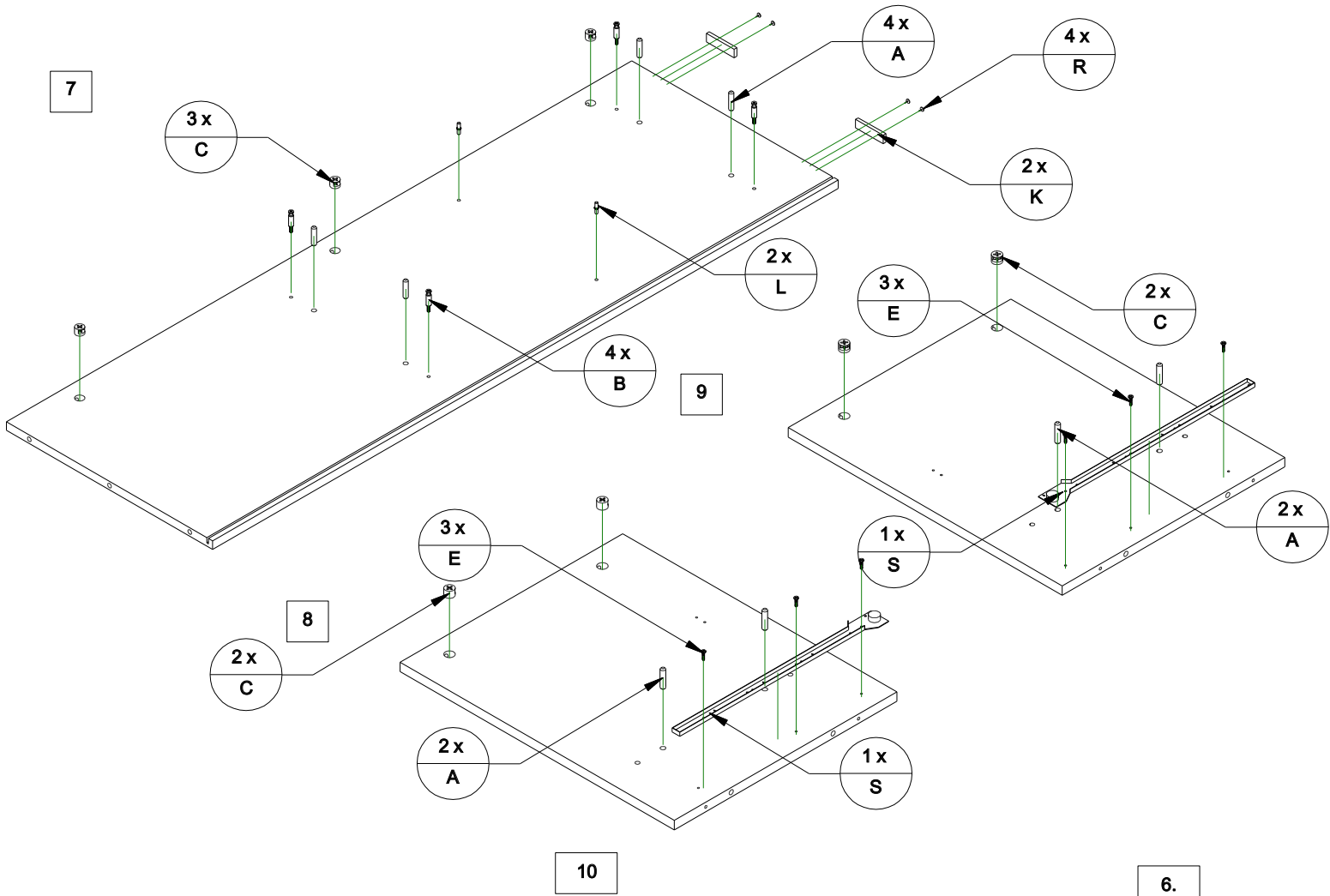


BIANCA TYP 5 - KOMODA S BAROM

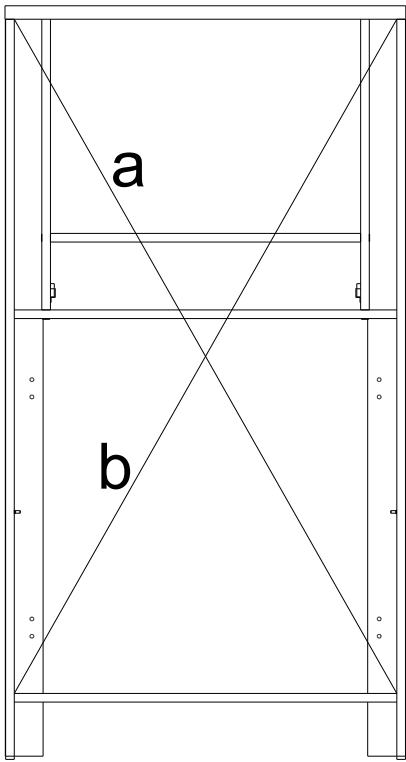


A	36 ks	B	18 ks	C	18 ks	D	12 ks	E	$\varnothing 3,5$ 18ks	F	$\varnothing 4$ 12ks	G	$\varnothing 3$ 6ks
H	$\varnothing 3$ 8ks	J	4 ks	K	4 ks	L	4 ks	M	6 ks	N	6 ks	P	8 ks
R	37 ks	S											



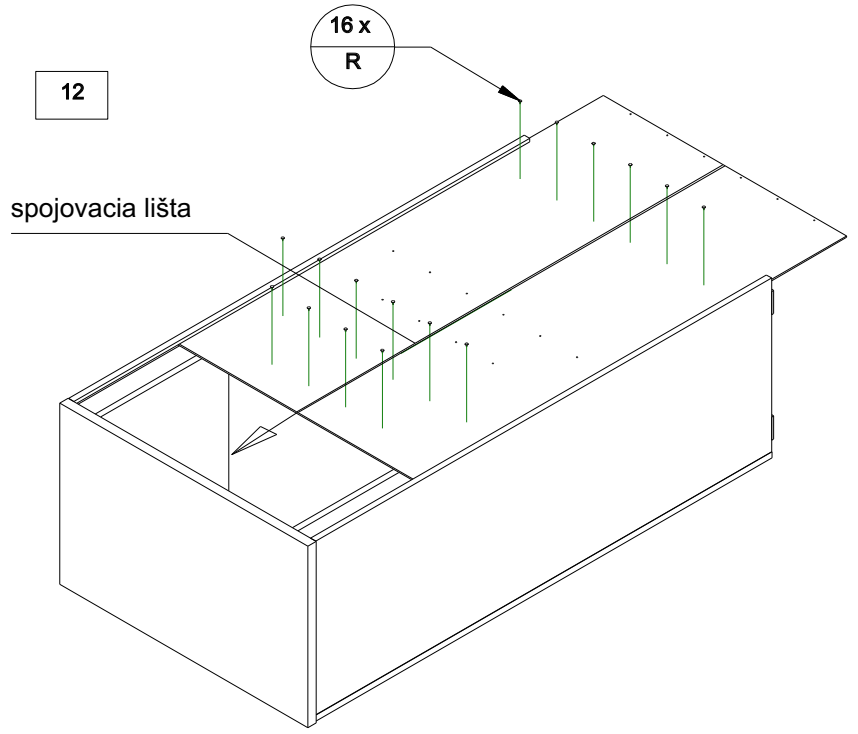


11

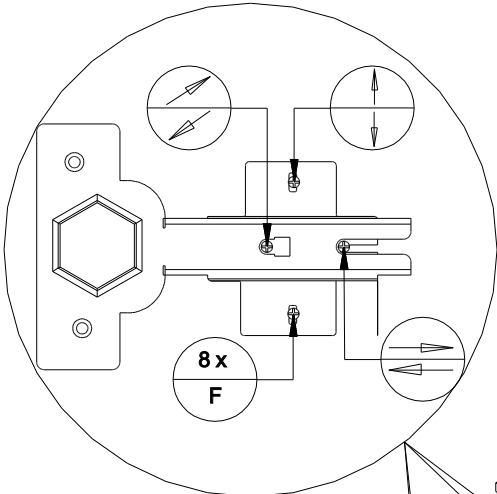
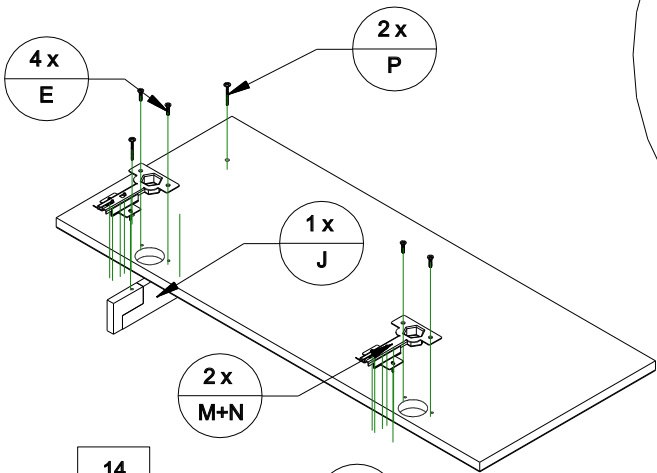


a=b!

12

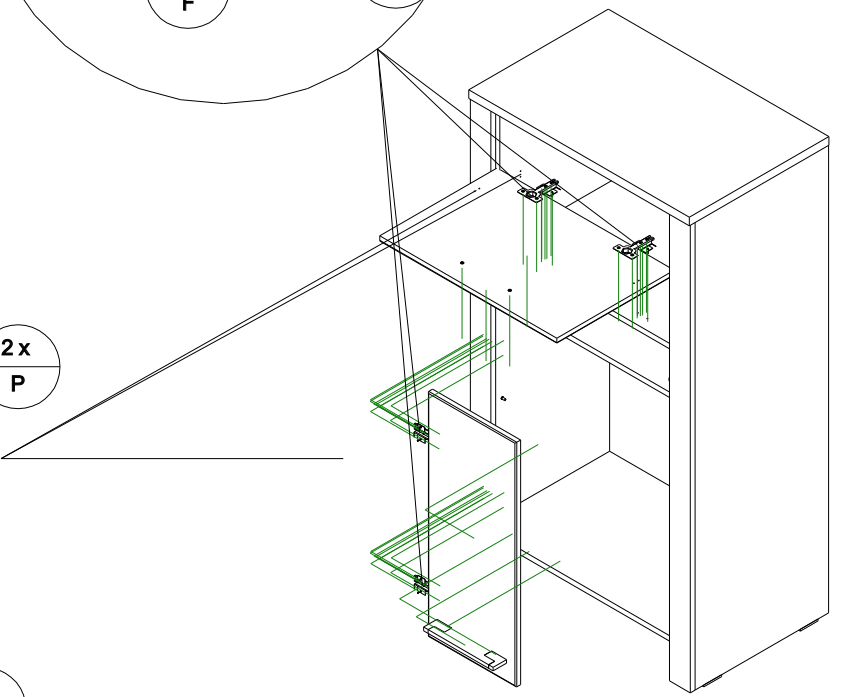
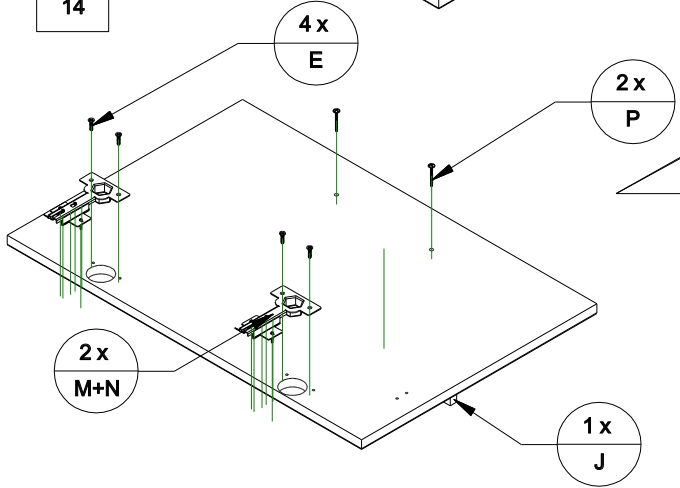


13

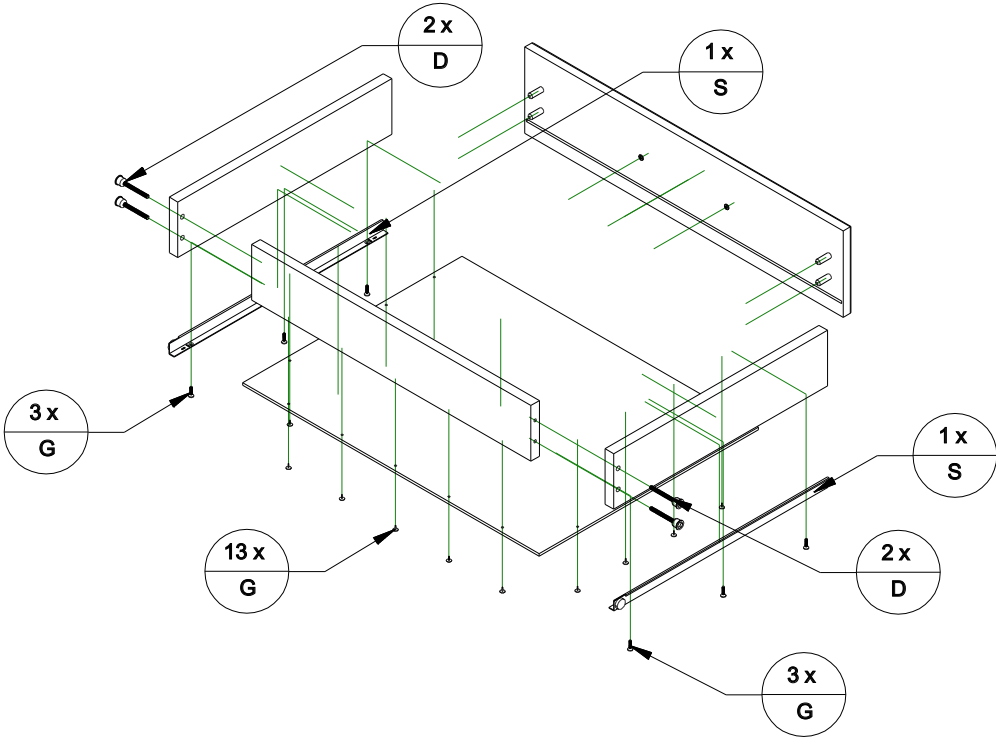


15

14



17



16

