



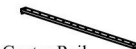


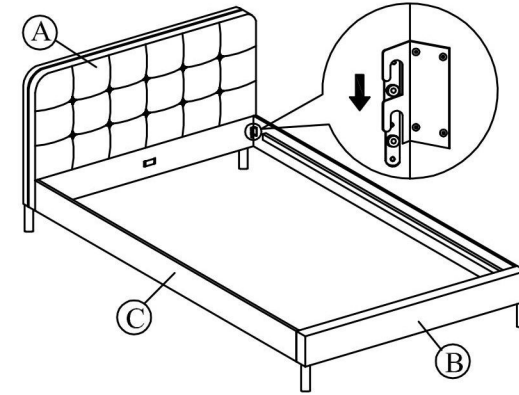
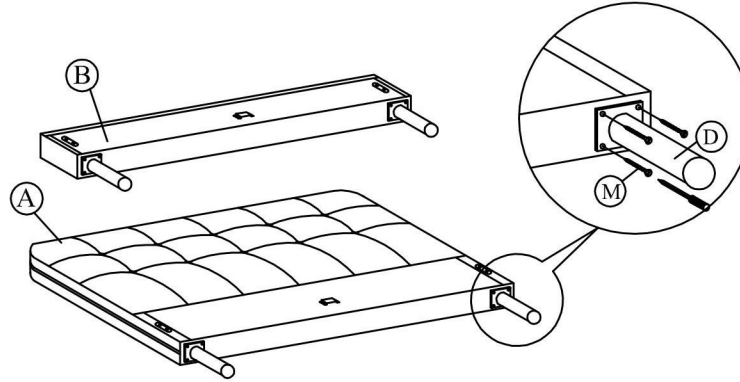
ASSEMBLY INSTRUCTION







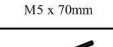
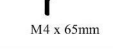

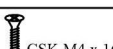
MODEL : ATTICUS CF 8911 (5'6")

Step 1: Install the legs (D) to footboard (B) and headboard (A). Tighten the legs.

Step 2: Attach side rail (C) to footboard (B) and headboard (A) by pushing the bracket down to fit it.

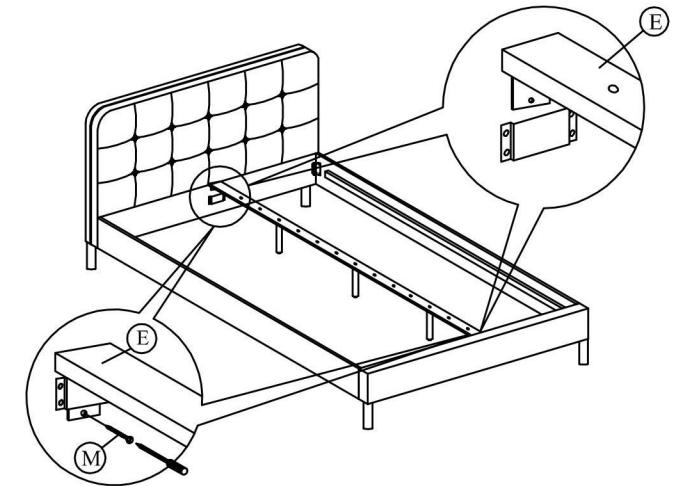
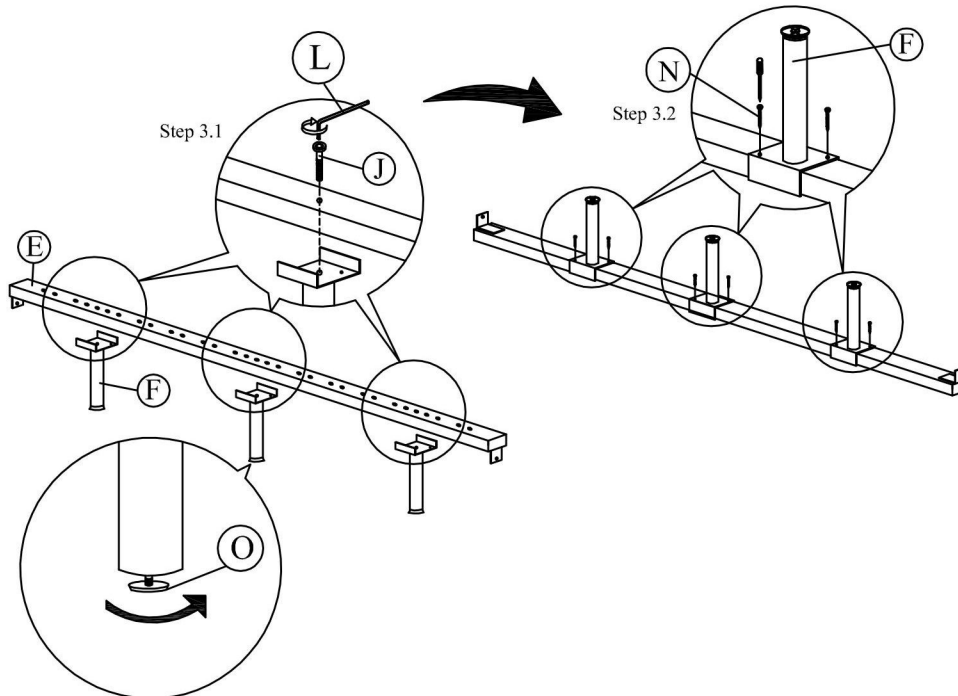
A	 Headboard	1 pc
B	 Footboard	1 pc
C	 Side Rail	2 pcs
D	 Legs	4 pcs
E	 Center Rail	1 pc



F	 Support Leg	3 pcs
G	 Slat	28 pcs
H	 Middle Holder	14 pcs
I	 End Holder	28 pcs
J	 JCBC M6 X 40	3 pcs
K	 M5 x 70mm	1 pc
L	 M4 x 65mm	1 pc
M	 CSK M4 x 25mm	18 pcs
N	 CSK M4 x 16mm	6 pcs
O	 Adjuster	3 pcs

Step 3: Attach the support legs (F) to the center rail (E) of the bed as shown.

Step 4: Slide the center rail (E) to the headboard (A) and footboard (B). Tighten screws (M) using screw driver (not included) to the headboard (A) and footboard (B)



Step 5: Tighten all the 4 corner ,follow by assembly of the slat holders with LVL slats as shown.

