

- | | | | | | | | | | | | | | | | |
|------------------|------------------|-----------------------|---------------|--------------|---------------|---------------------|---------------------|---------------------|--------------|-----------------------------|------------------------|-----------------------------|--------------------------------|-------------------------------|-------------------------------|
| 2x

n165/P | 2x

n165/L | 12x

d3
r5mm | 12x

I2 | 2x

J1 | 1x

a45 | 1x

b20
D5 | 2x

a44
K0 | 2x

b19
D5 | 8x

s2 | 8x

r1
phi 15x12mm | 8x

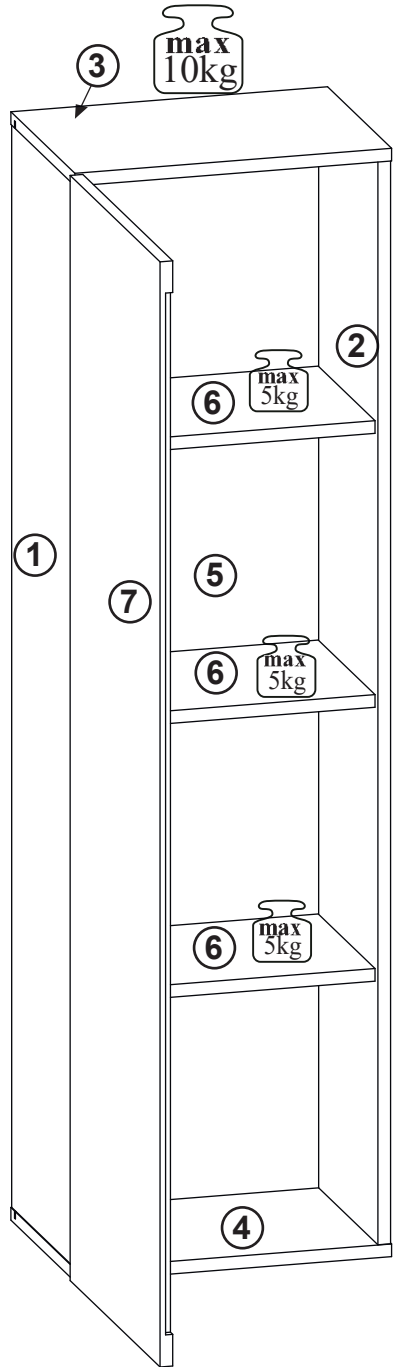
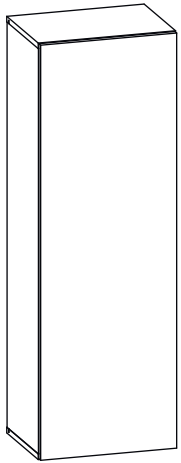
r23
30/11 | 8x

f1
phi 8x30 mm | 6x

p51
phi 3.5x16 mm | 12x

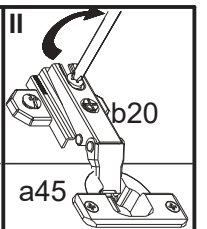
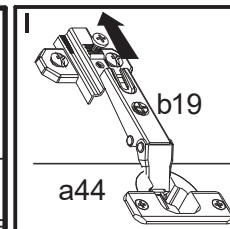
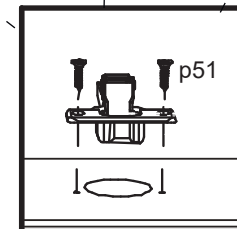
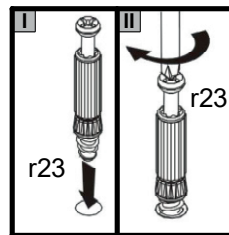
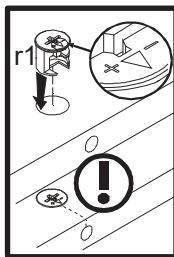
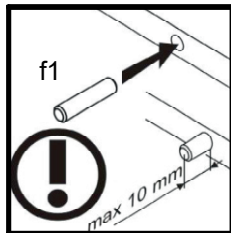
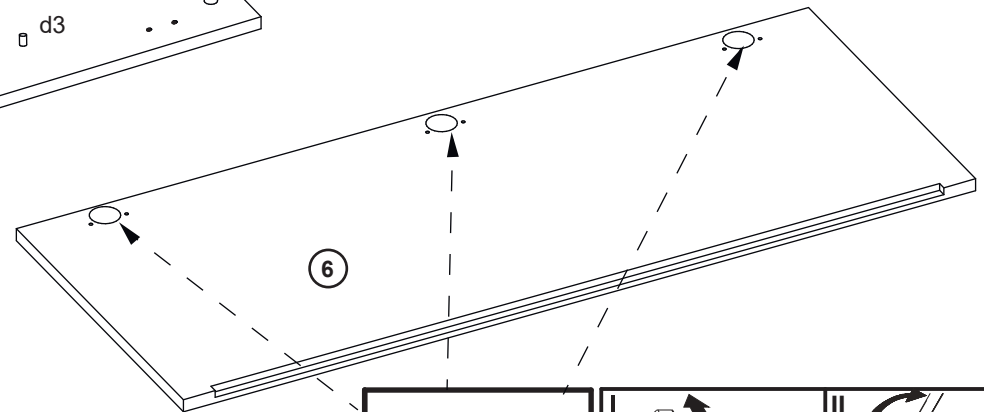
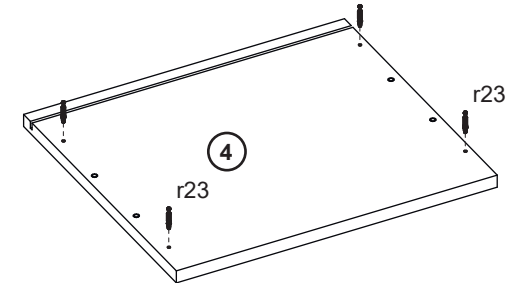
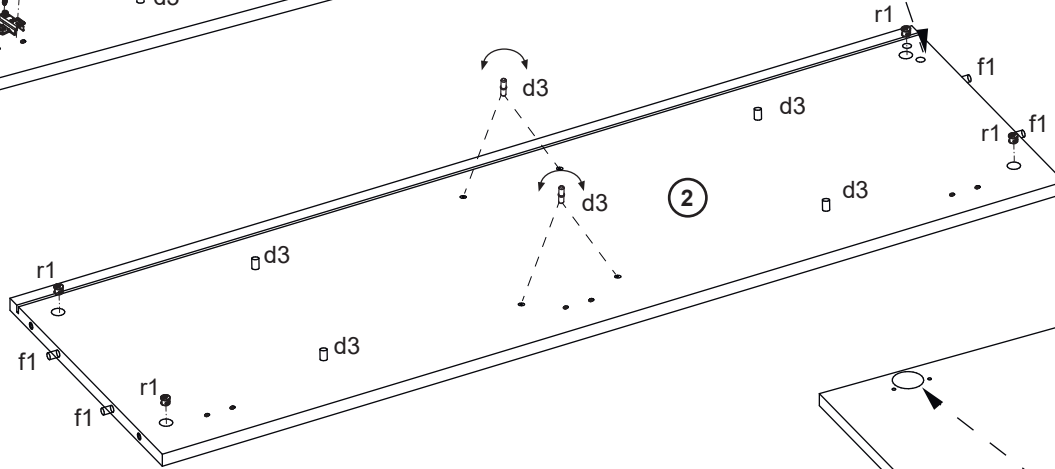
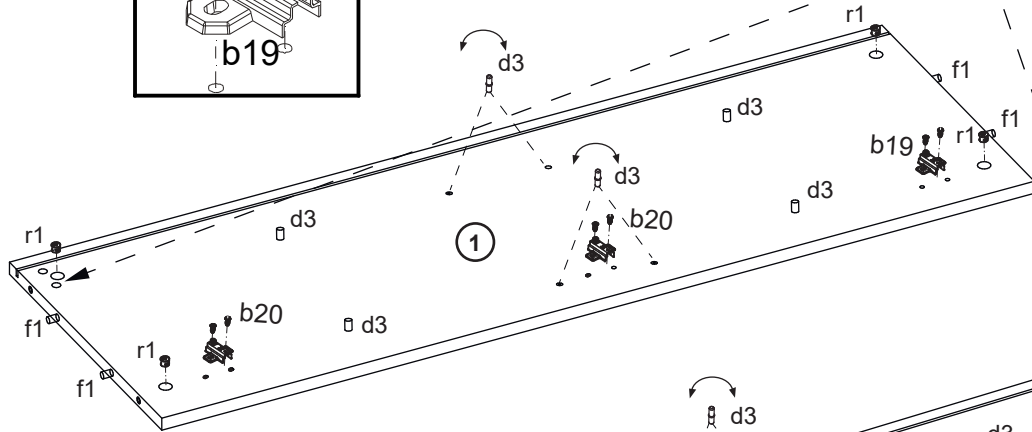
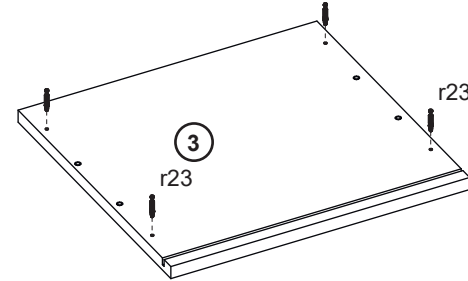
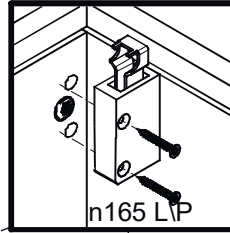
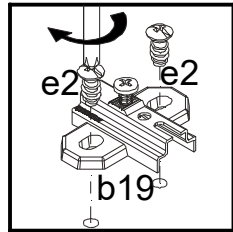
p55
phi 3x16 mm | 6x

e2
phi 6.3x13 mm |
|------------------|------------------|-----------------------|---------------|--------------|---------------|---------------------|---------------------|---------------------|--------------|-----------------------------|------------------------|-----------------------------|--------------------------------|-------------------------------|-------------------------------|

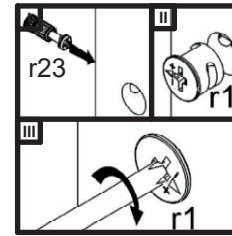
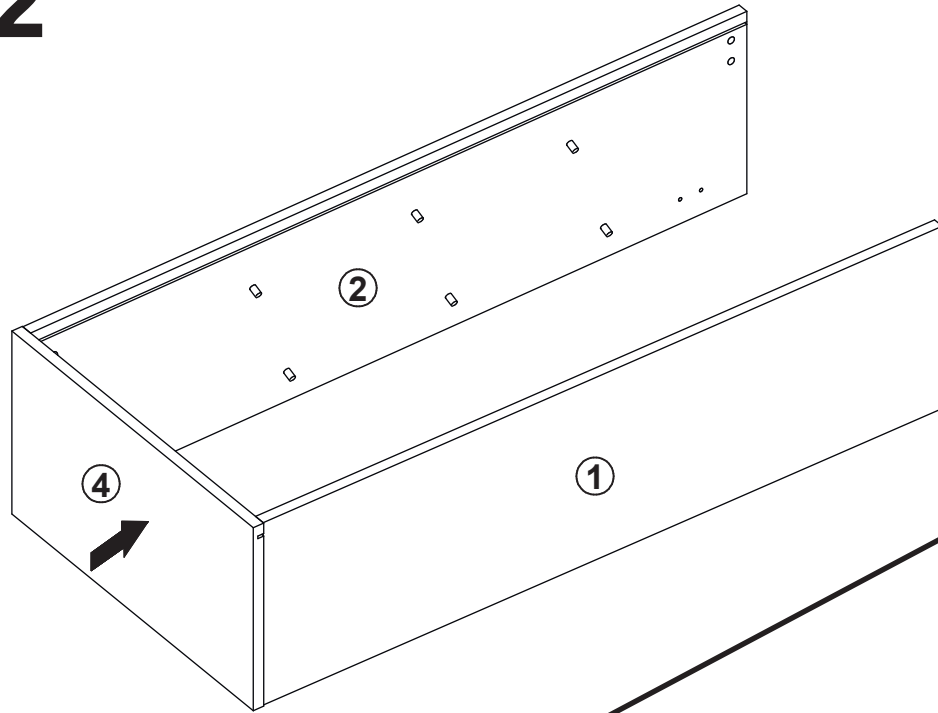


A	B	C (mm)		Colli
1	001	1368	281	1/1
2	002	1368	281	1/1
3	003	400	282	1/1
4	004	400	282	1/1
5	005	1382	380	1/1
6	006	365	250	1/1
7	007	1396	396	1/1

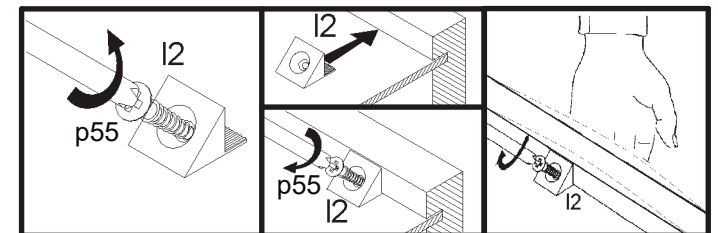
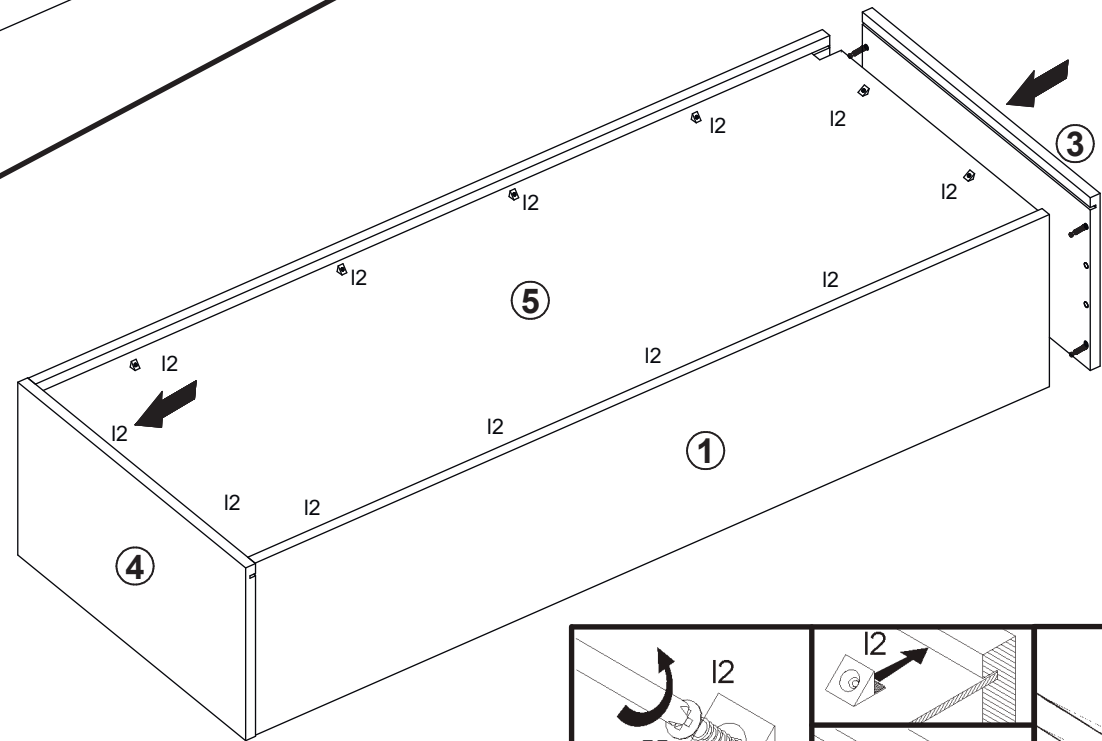
1



2



3



4

