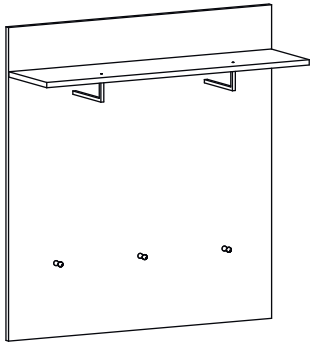
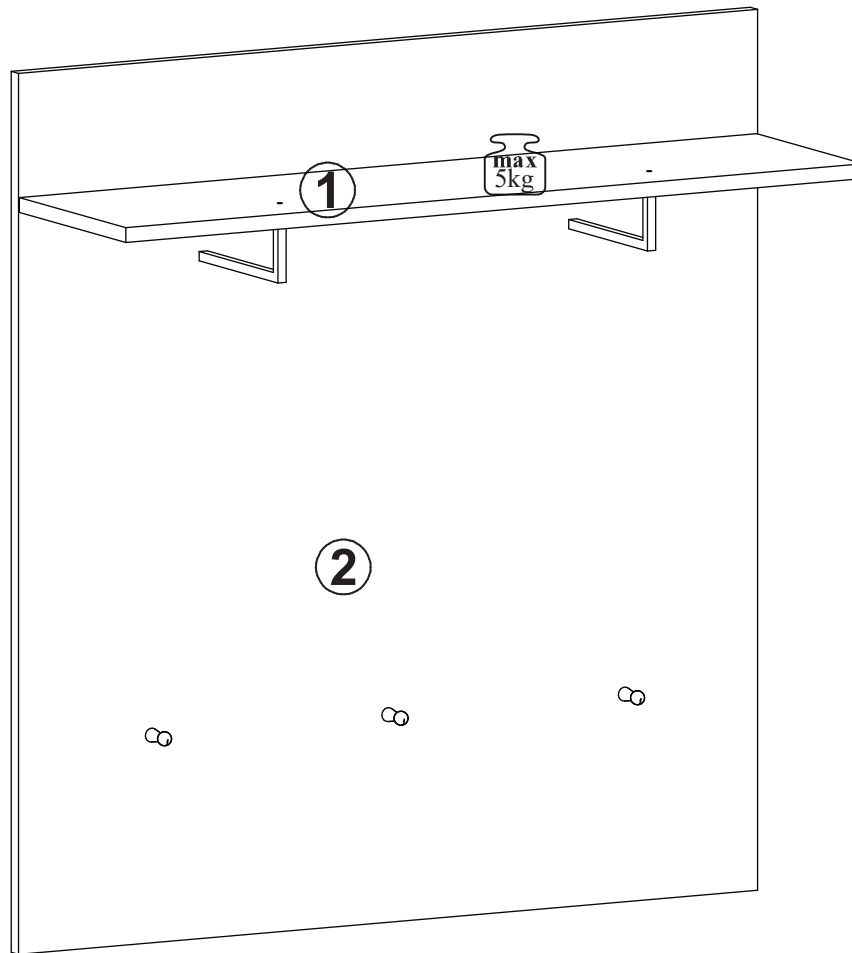


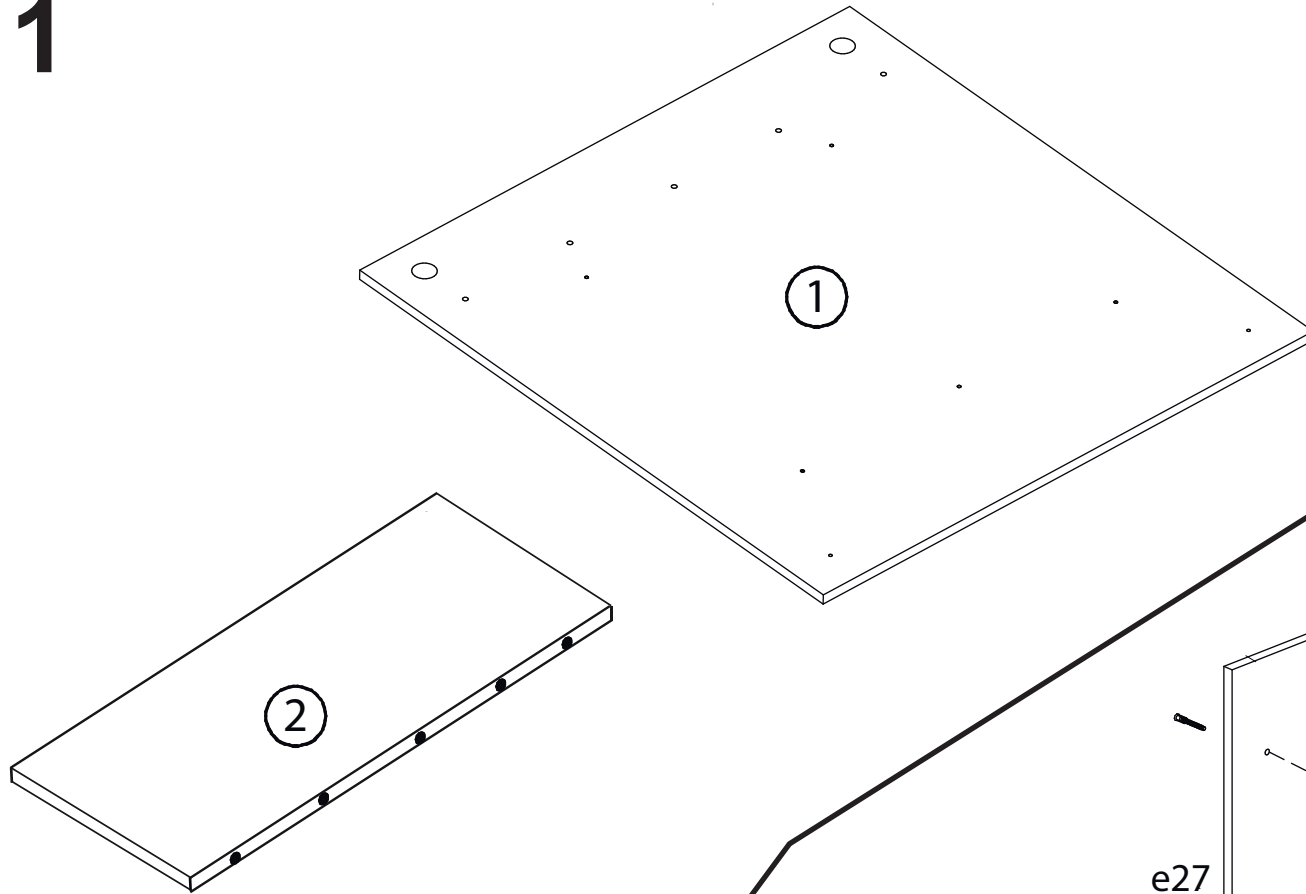
- |                        |                           |              |              |              |                          |              |                        |                      |                          |
|------------------------|---------------------------|--------------|--------------|--------------|--------------------------|--------------|------------------------|----------------------|--------------------------|
| 5x<br><br>φ4x30 mm p10 | 5 x<br><br>φ6.4x50 mm e27 | 1x<br><br>z1 | 3x<br><br>k2 | 2x<br><br>v1 | 2x<br><br>φ 8 x50 mm f35 | 2x<br><br>g2 | 2x<br><br>φ5x60 mm p17 | 4x<br><br>φ5x11mm e5 | 2x<br><br>φ 6.3x13 mm e3 |
|------------------------|---------------------------|--------------|--------------|--------------|--------------------------|--------------|------------------------|----------------------|--------------------------|



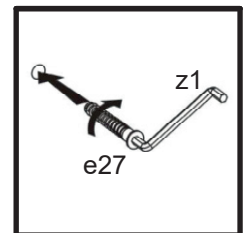
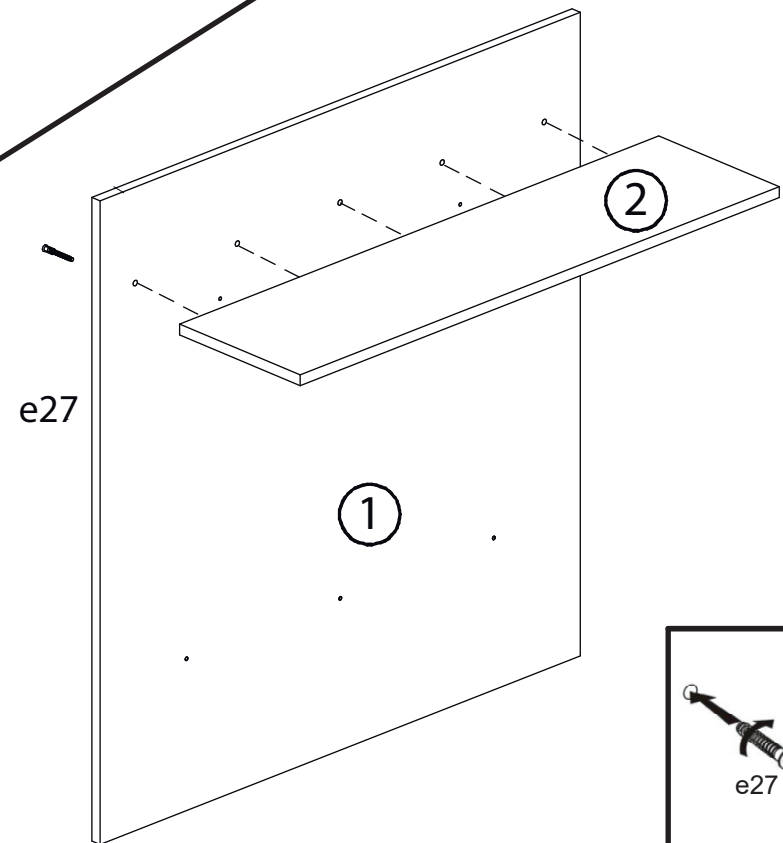
A	B	C	(mm)	Colli
1	5001	898	234	1/1
2	5002	950	900	1/1



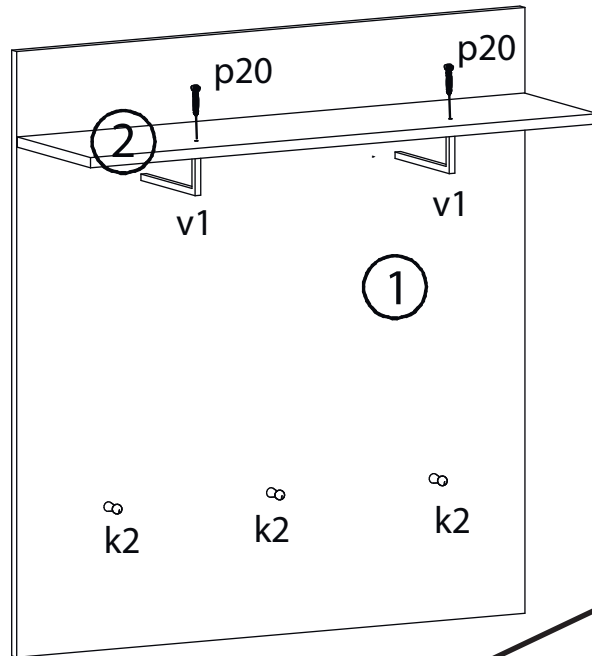
1



2



3



4

