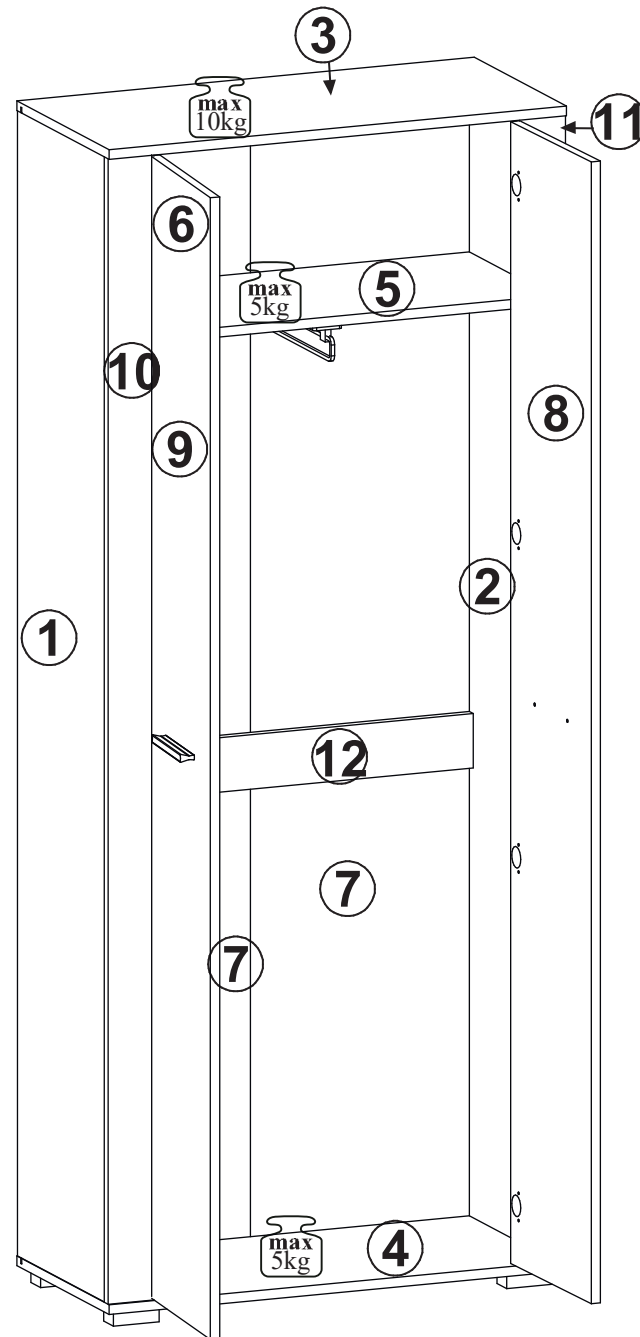
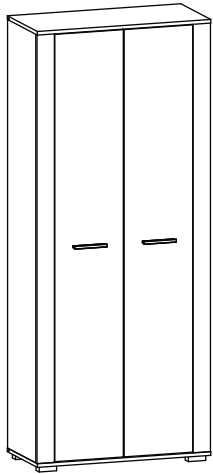
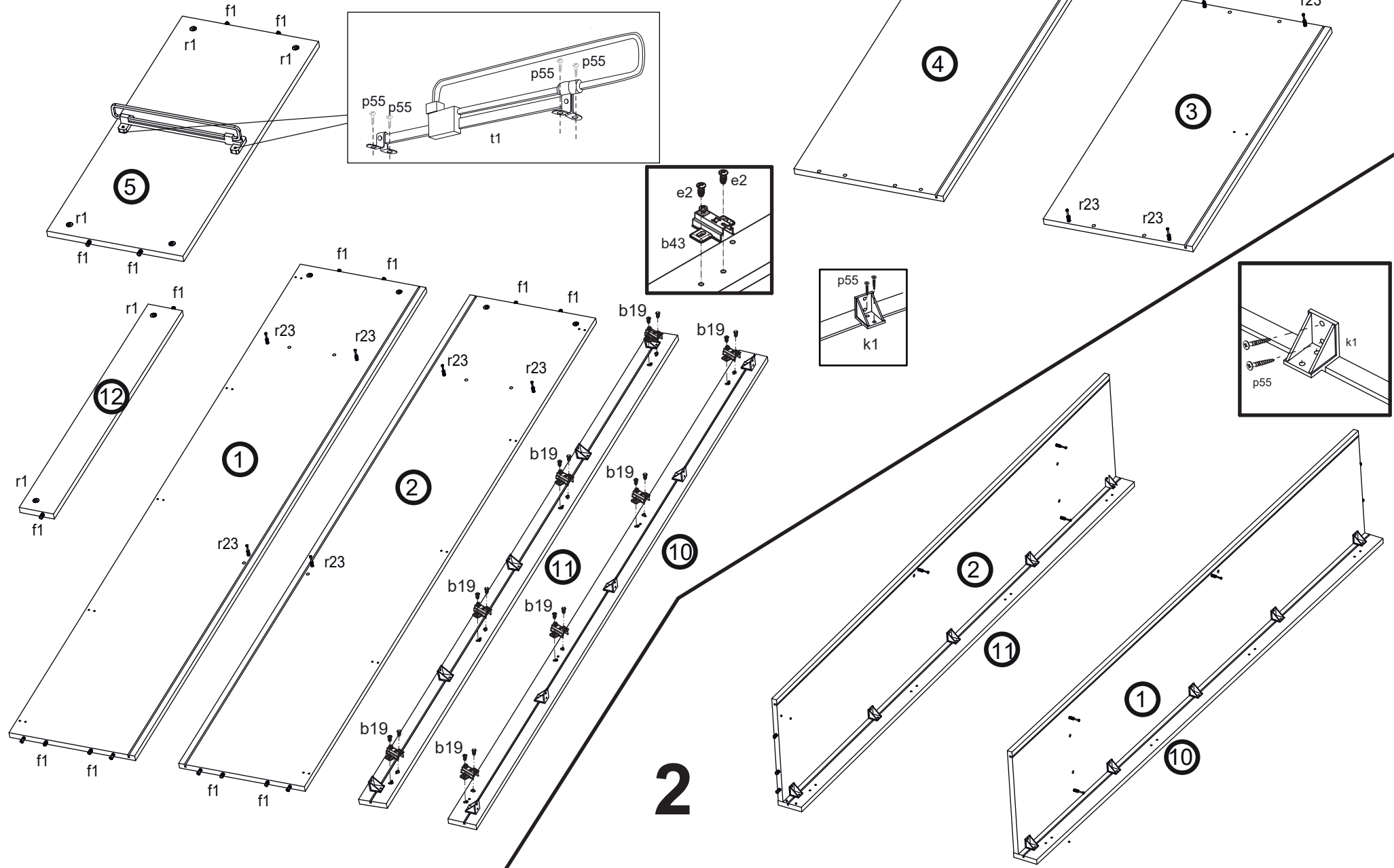


16x φ 6.3x13 mm e3	46x φ3x16 mm p55	12x φ4x16 mm p38	8x φ4x20 mm p9	4x φ4x25 mm p8	1x l-300 t1	1x 81x21x15/1.5mm n14/2	16x φ3.5x16 mm p51					
10x k1	14x l2	1x φ5x50 mm p17	4x k43	2x L=128 mm r1	8x K0 a99	8x D5 b19	8x s2	10x φ1.5x12mm r1	10x 30/11 r23	14x φ8x30 mm f1	4 x φ6.4x50 mm e27	1x z1



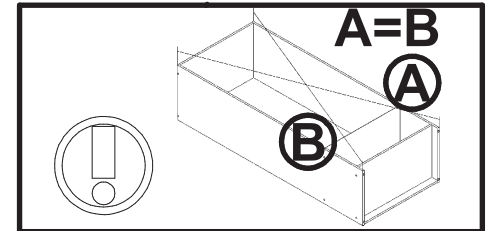
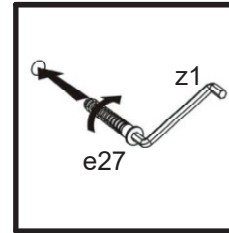
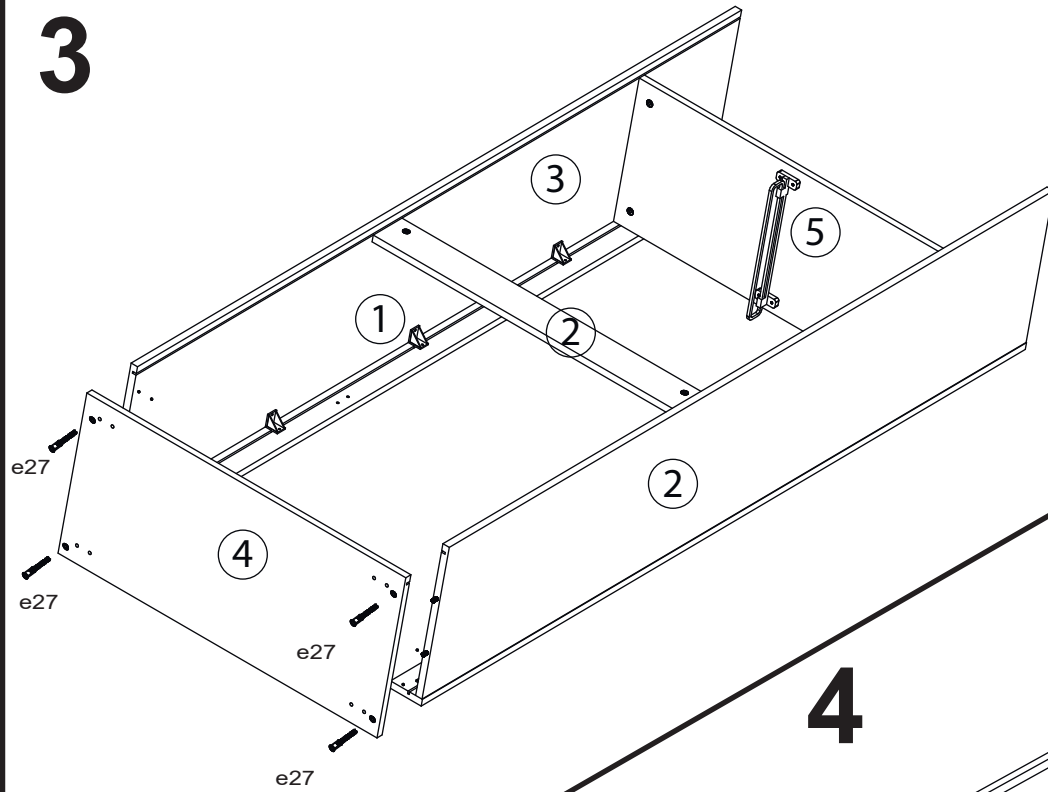
A	B	C	(mm)	Colli
1	3001	1893	360	1/2
2	3002	1893	360	1/2
3	3003	800	380	2/2
4	3004	800	380	2/2
5	3005	766	340	2/2
6	3006	1857	390	1/2
7	3007	1908	390	1/2
8	3008	1887	316	1/2
9	3009	1887	316	1/2
10	3010	1893	80	1/2
11	3011	1893	80	1/2
12	3012	766	90	2/2

1

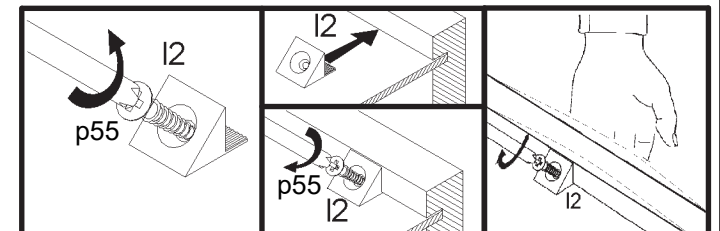
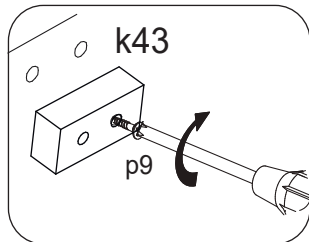
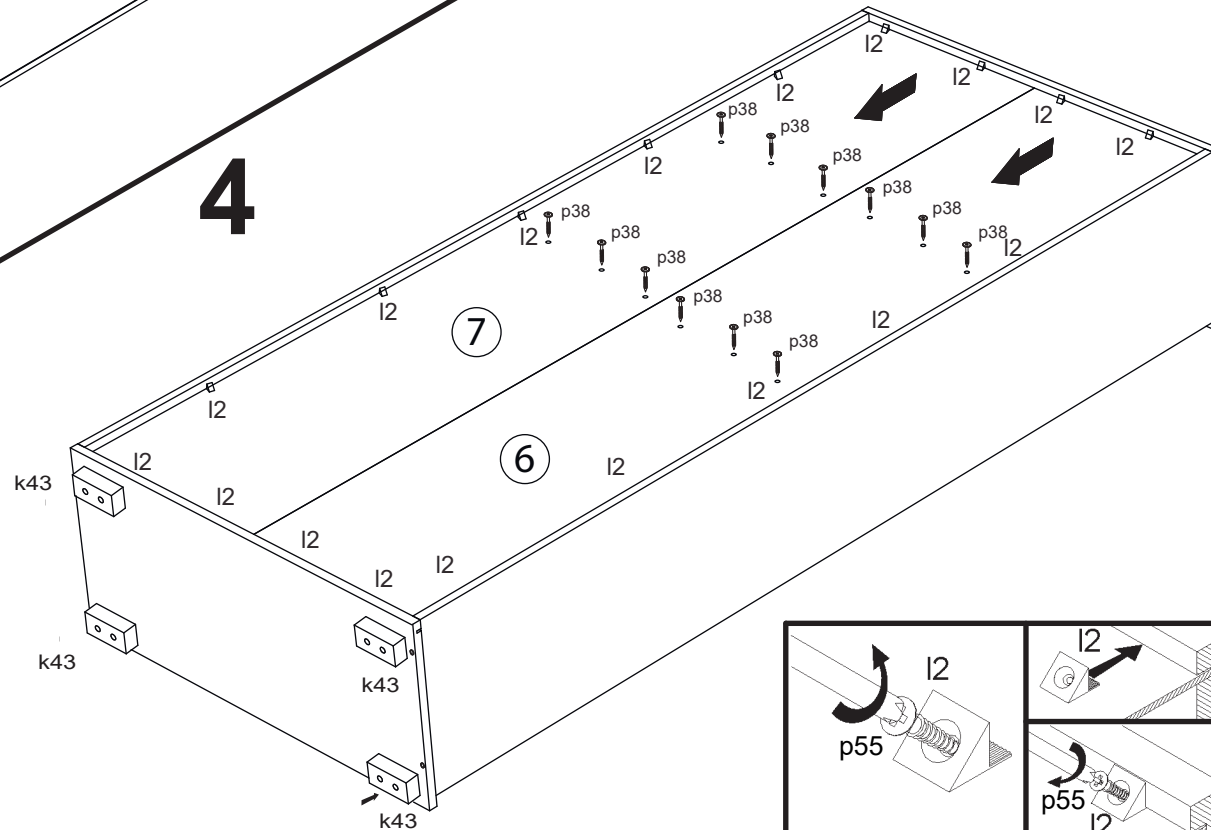


2

3



4



5

