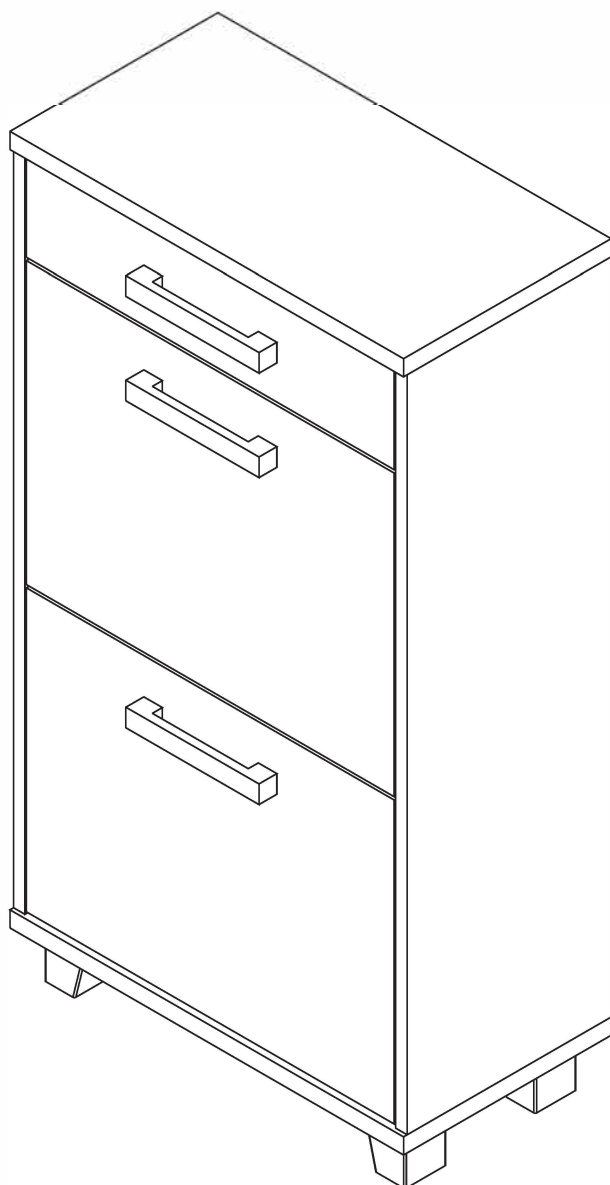



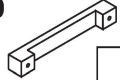

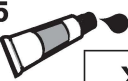







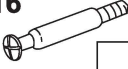

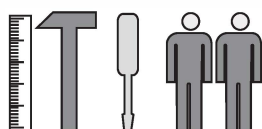


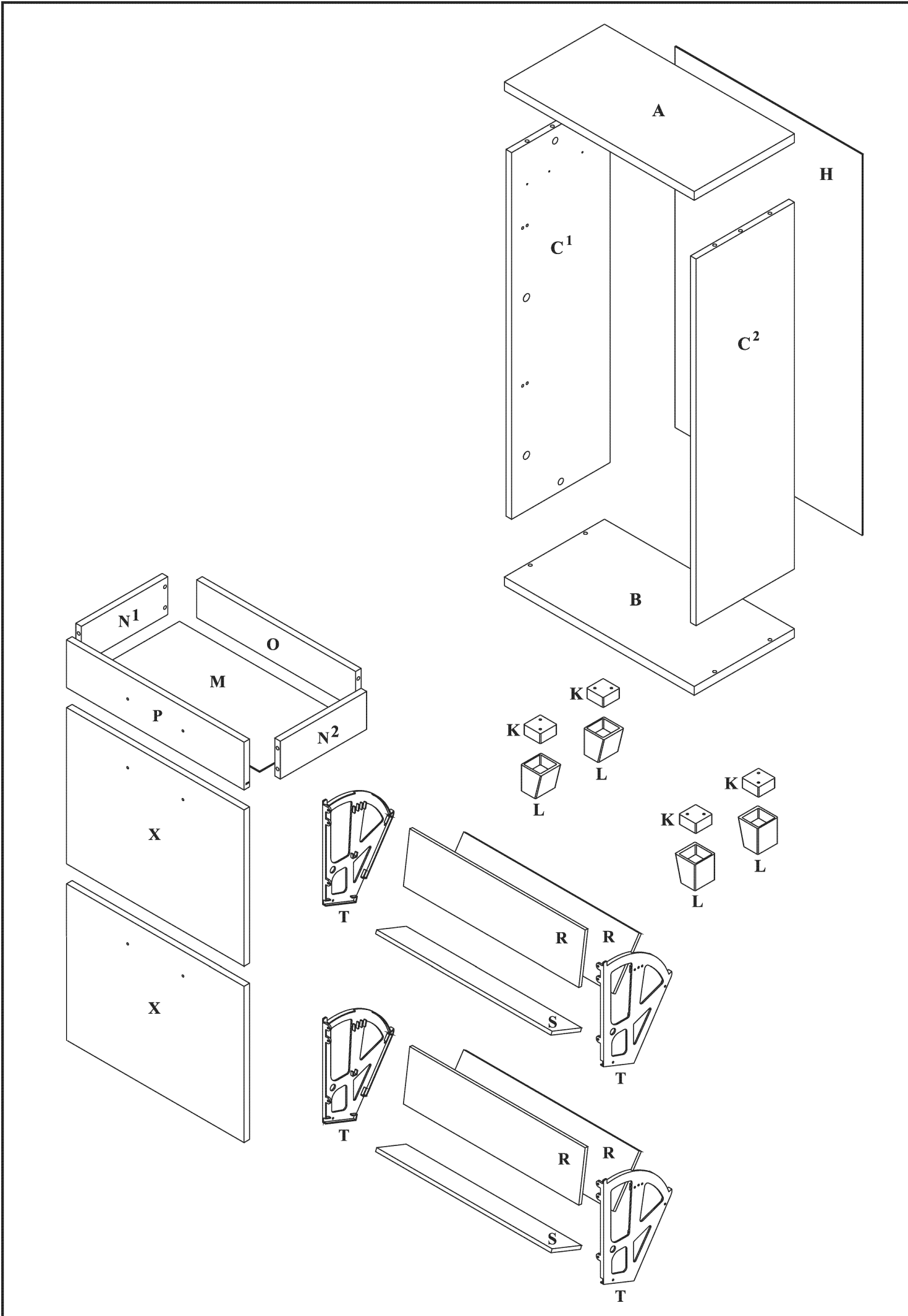
M18

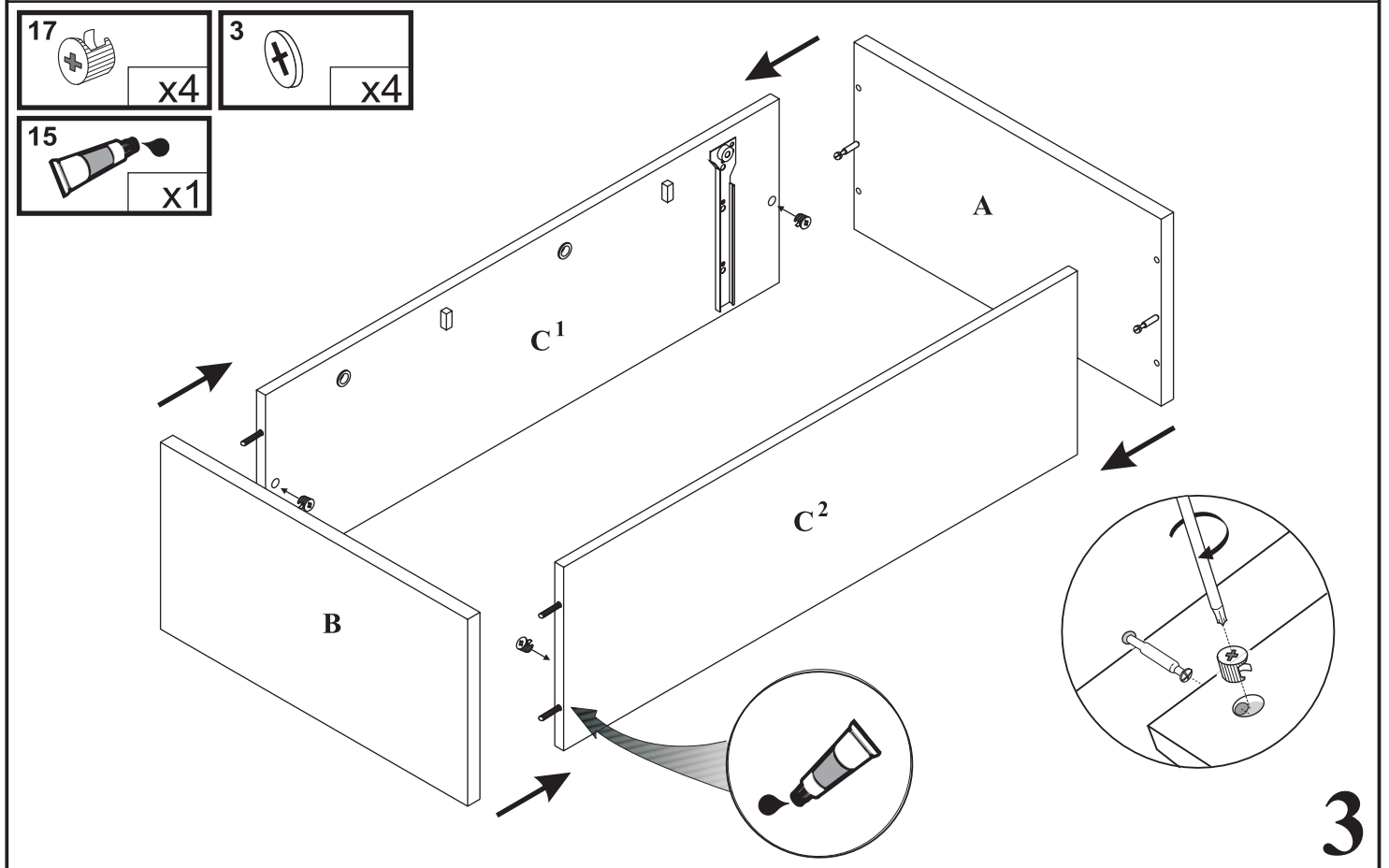
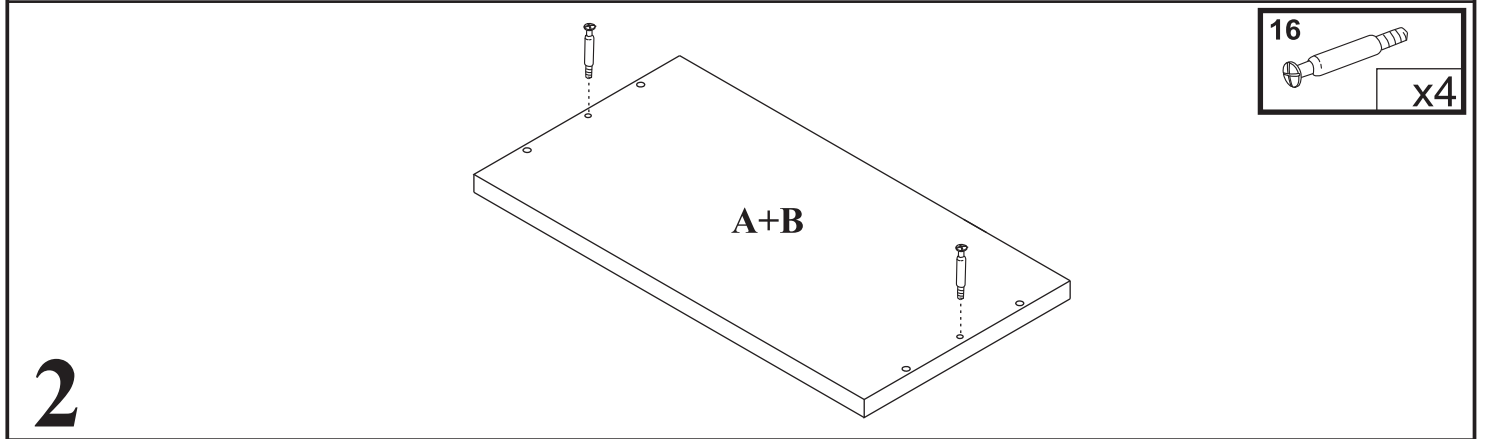
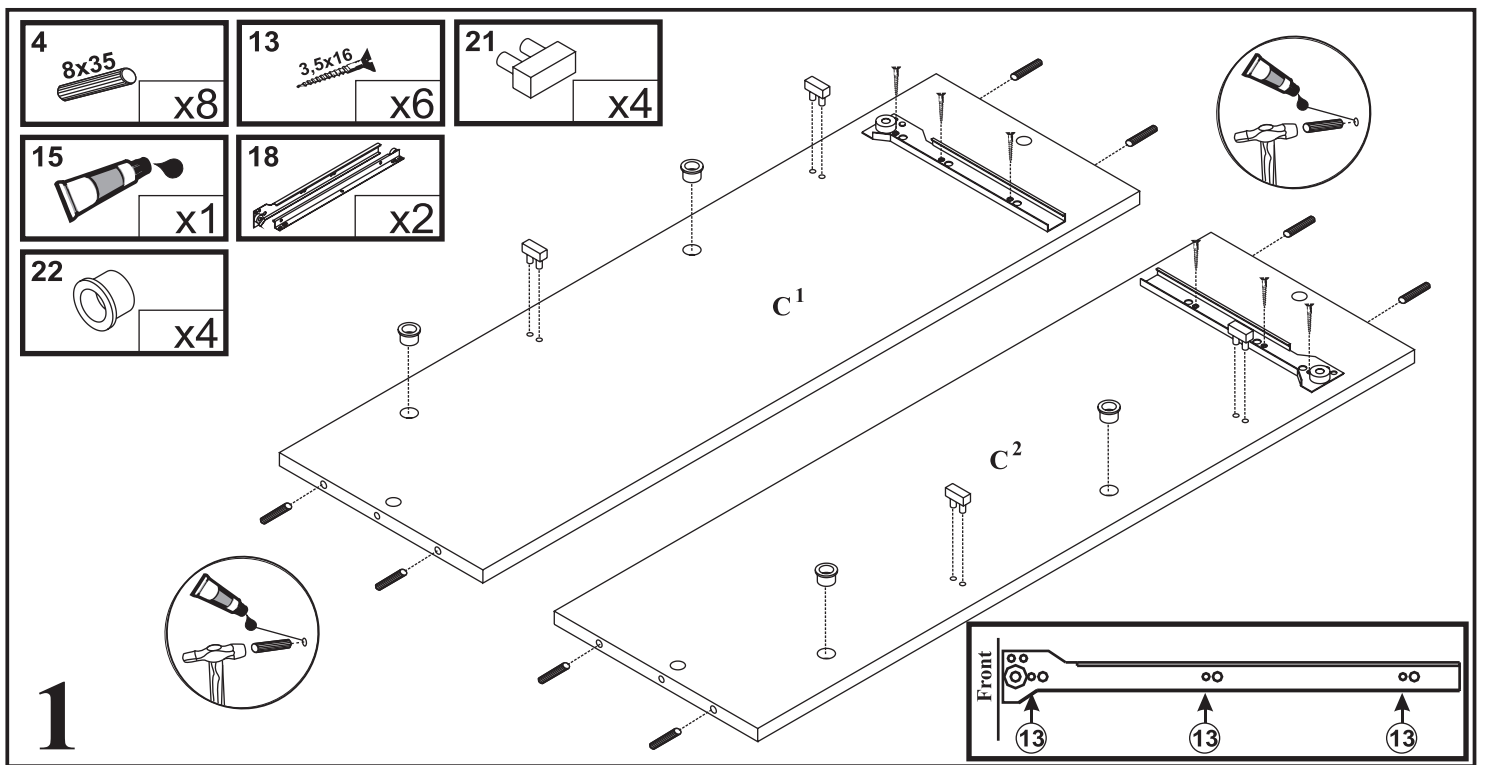


4  8x35 x16	6  3.5x30 x6	8  x70	9  x3	13  3.5x16 x32
15  x1	18  x2	19  4x16 x12	20  6x16 x4	21  x4
22  x4	23  x4	3  x4	16  x4	17  x4

80 min.

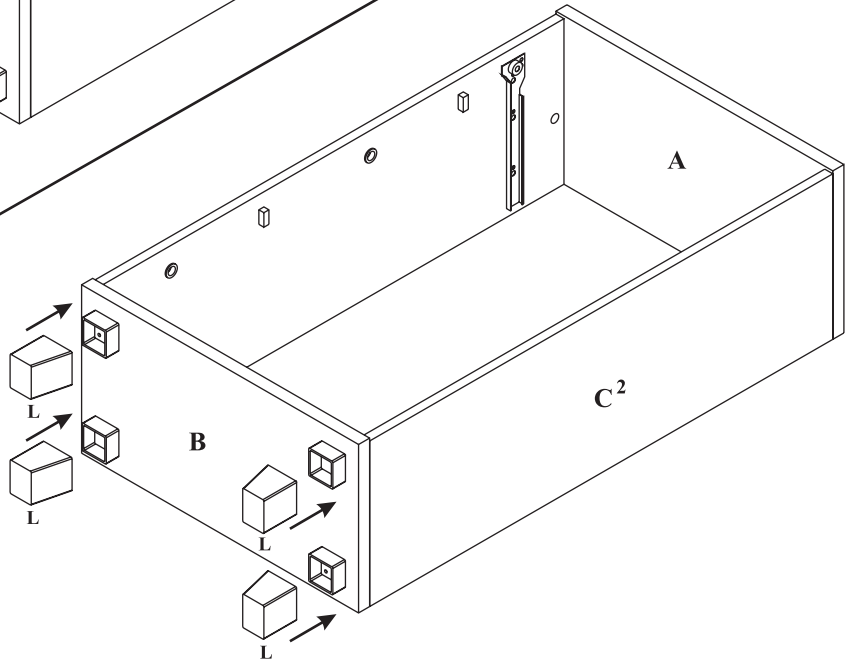
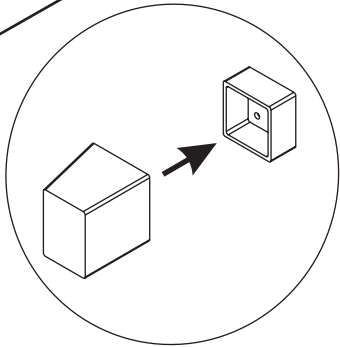
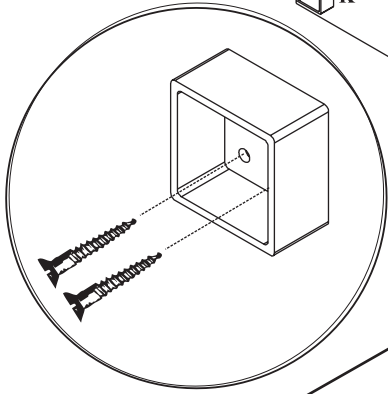
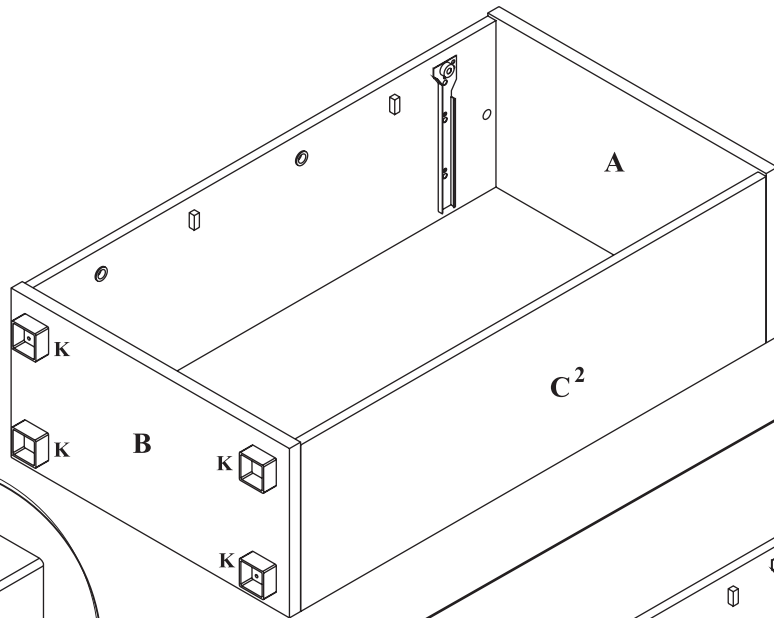






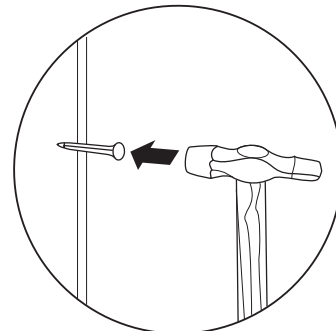
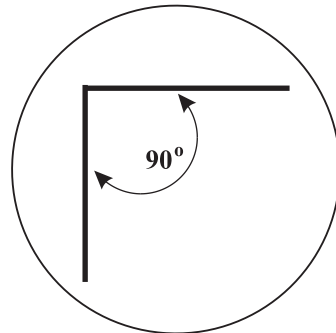
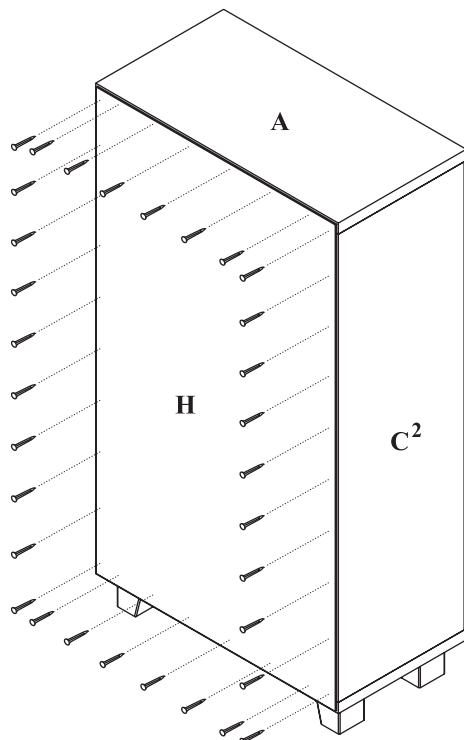
13
3.5x16
x8

4

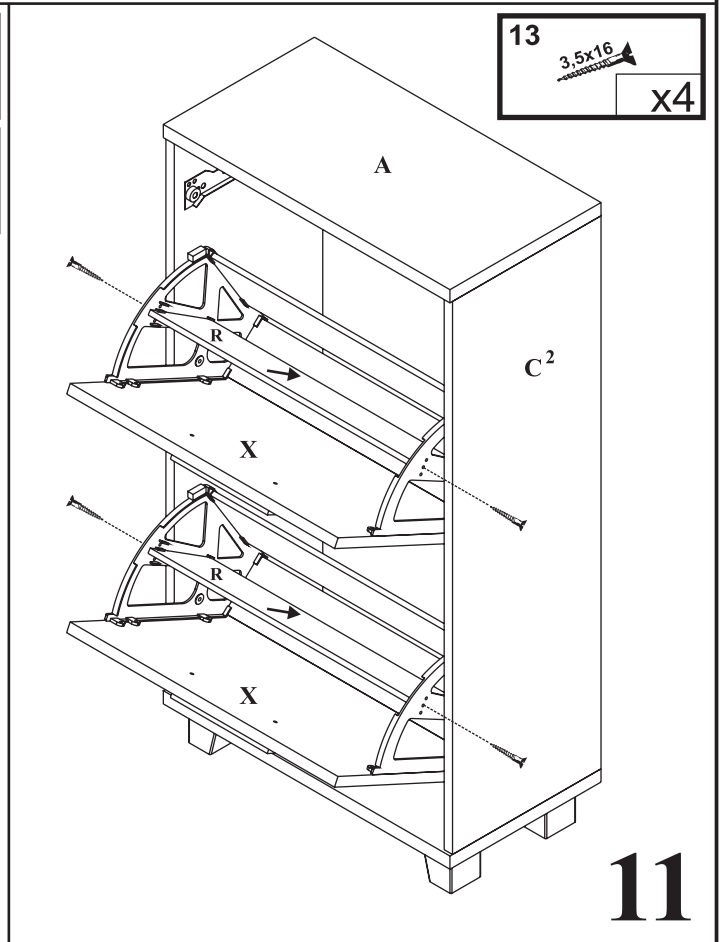
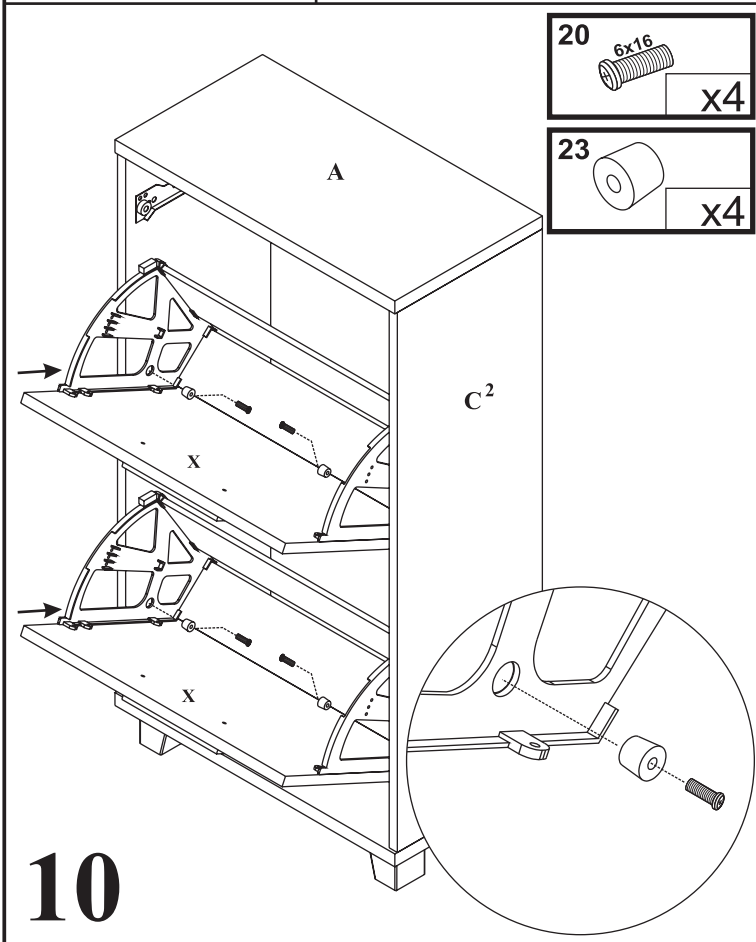
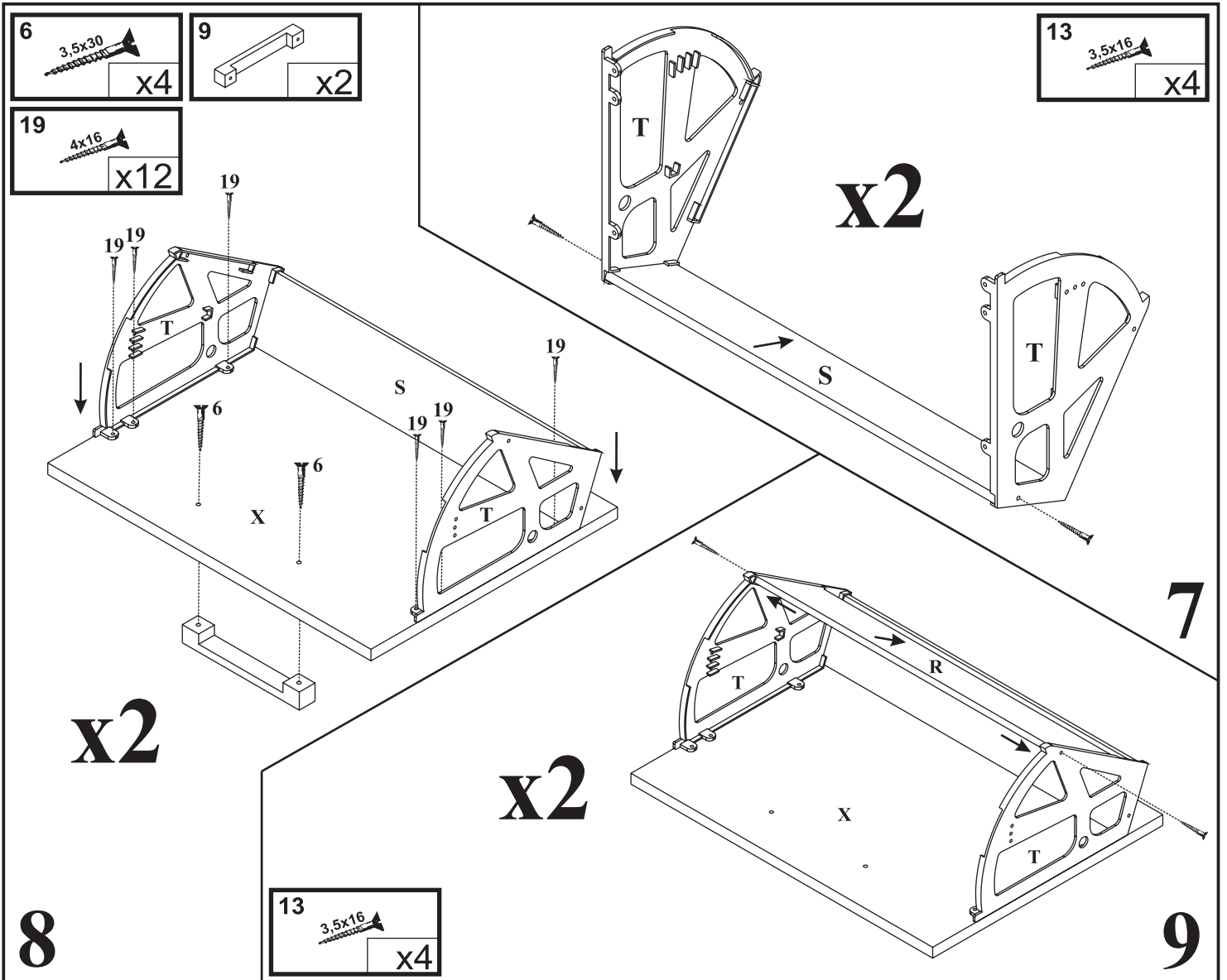


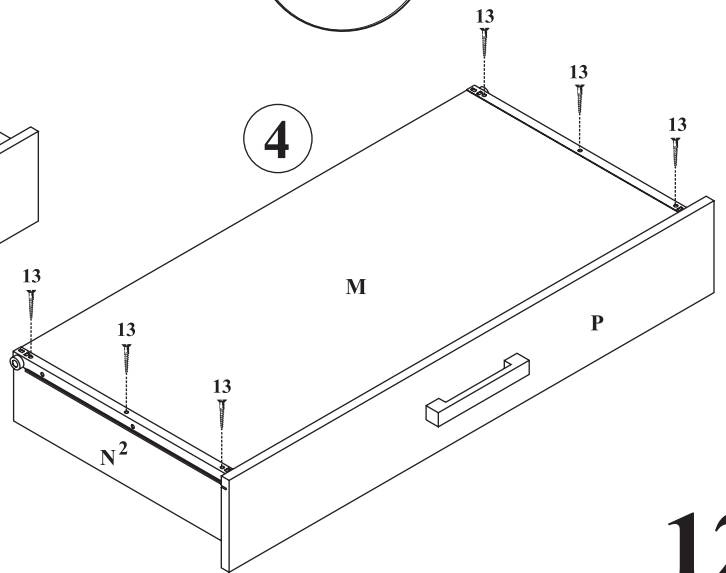
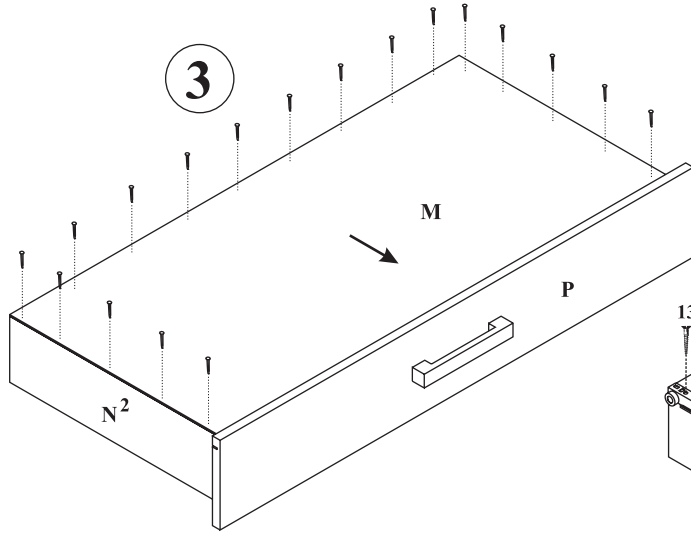
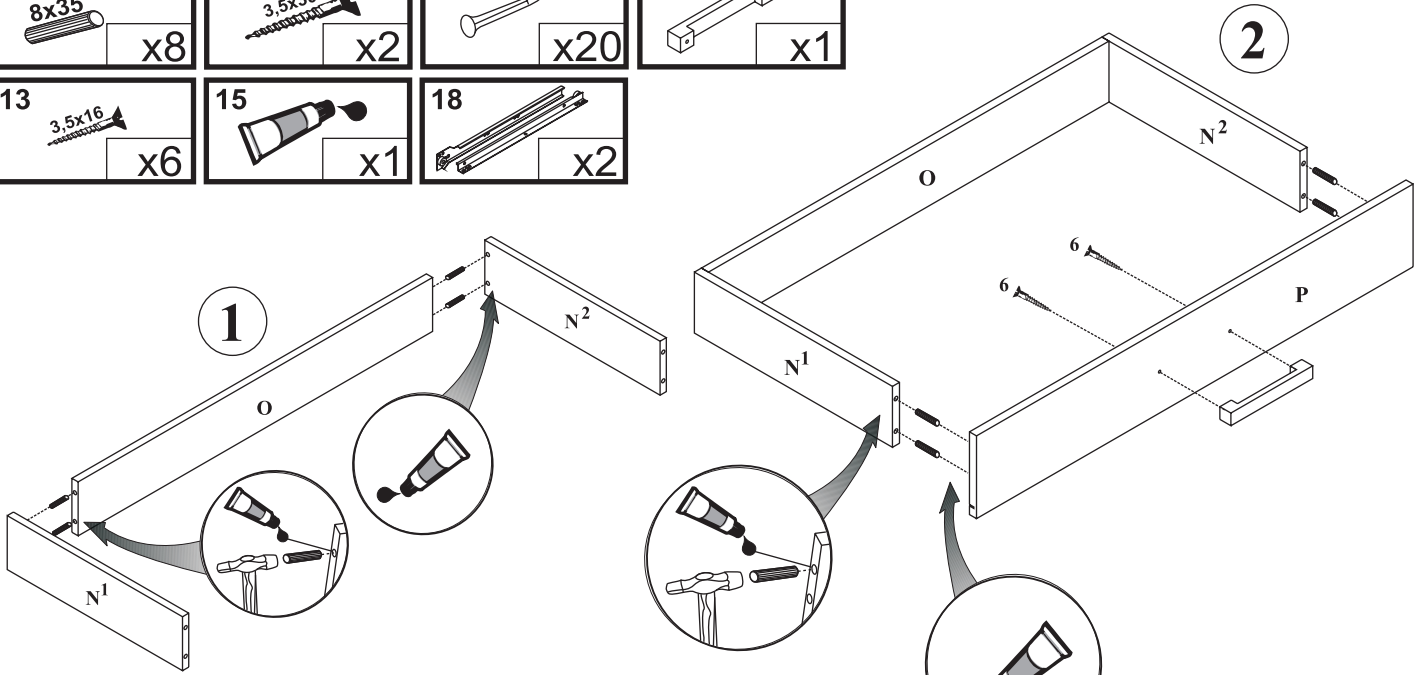
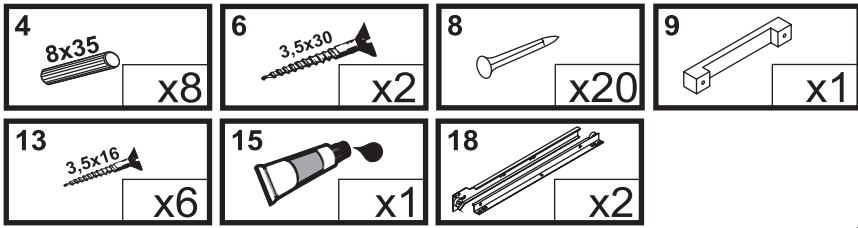
5

8
x50

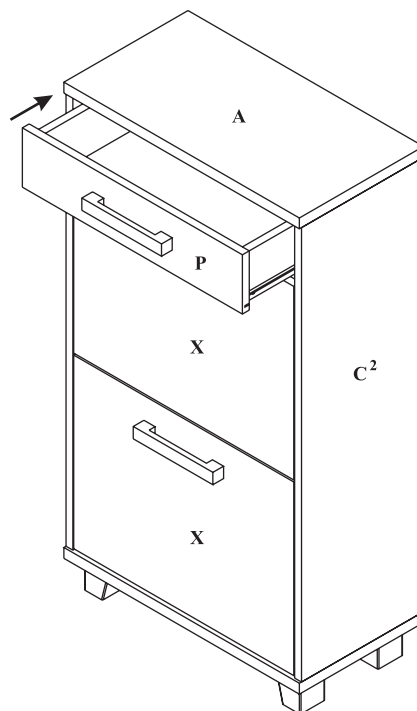


6





12



13