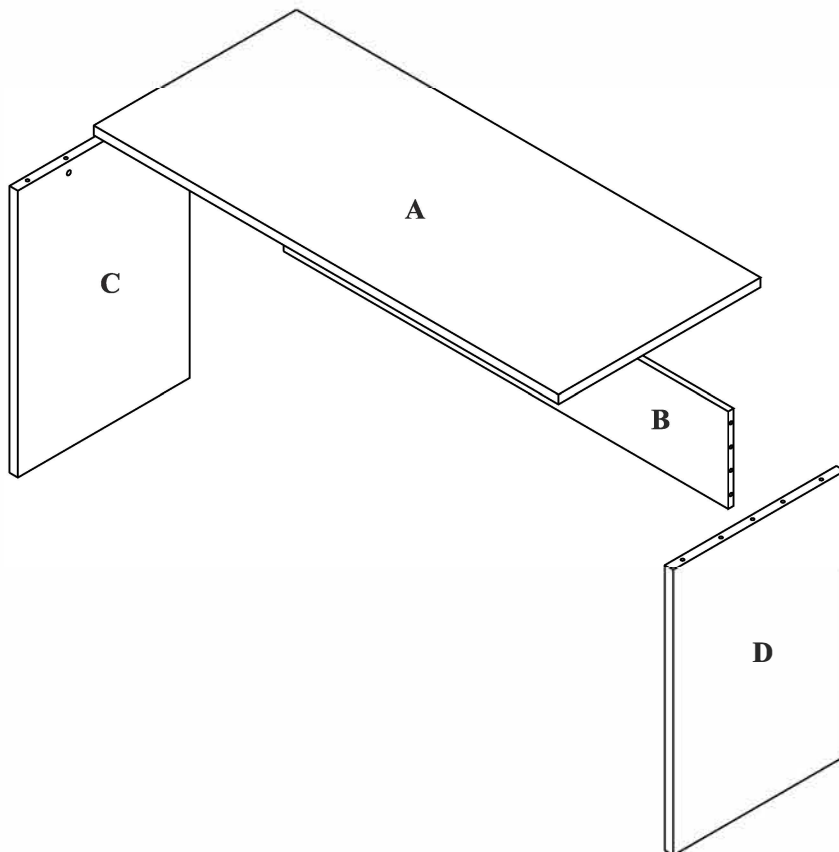
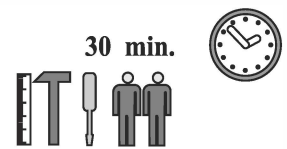
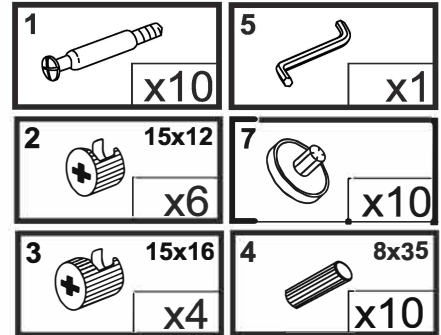
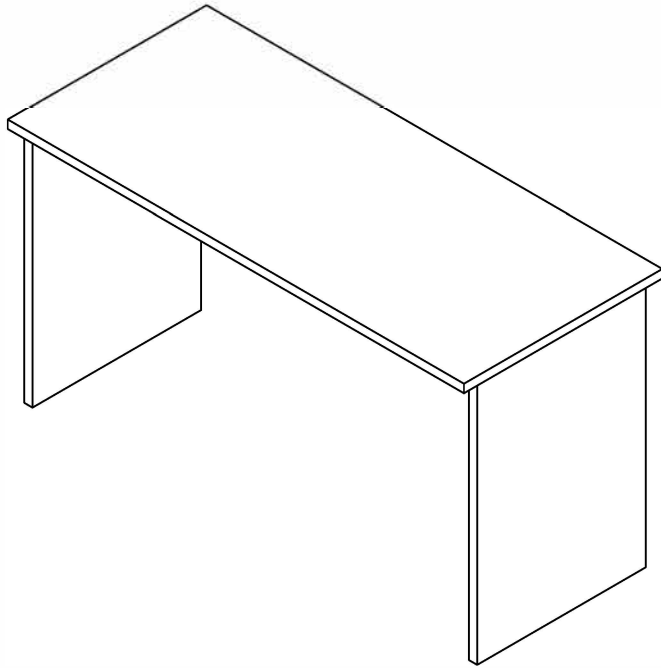
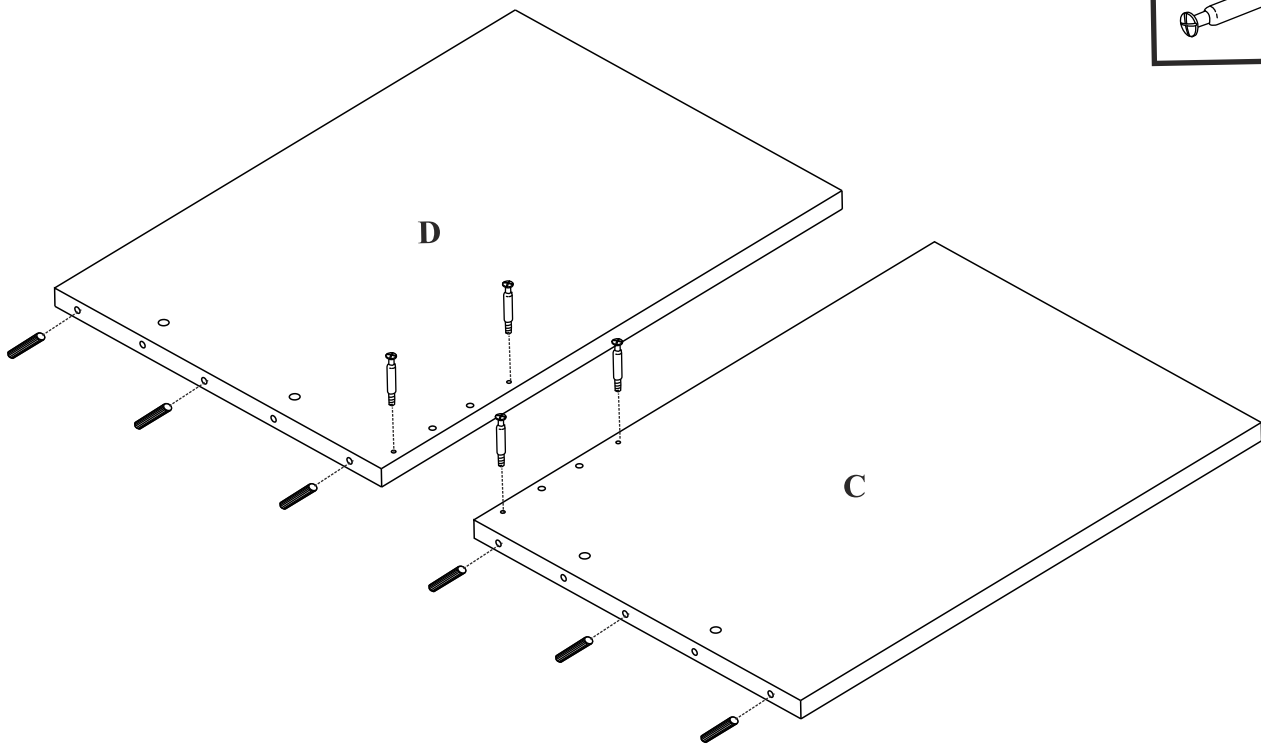


Z5



4 8x35
x6

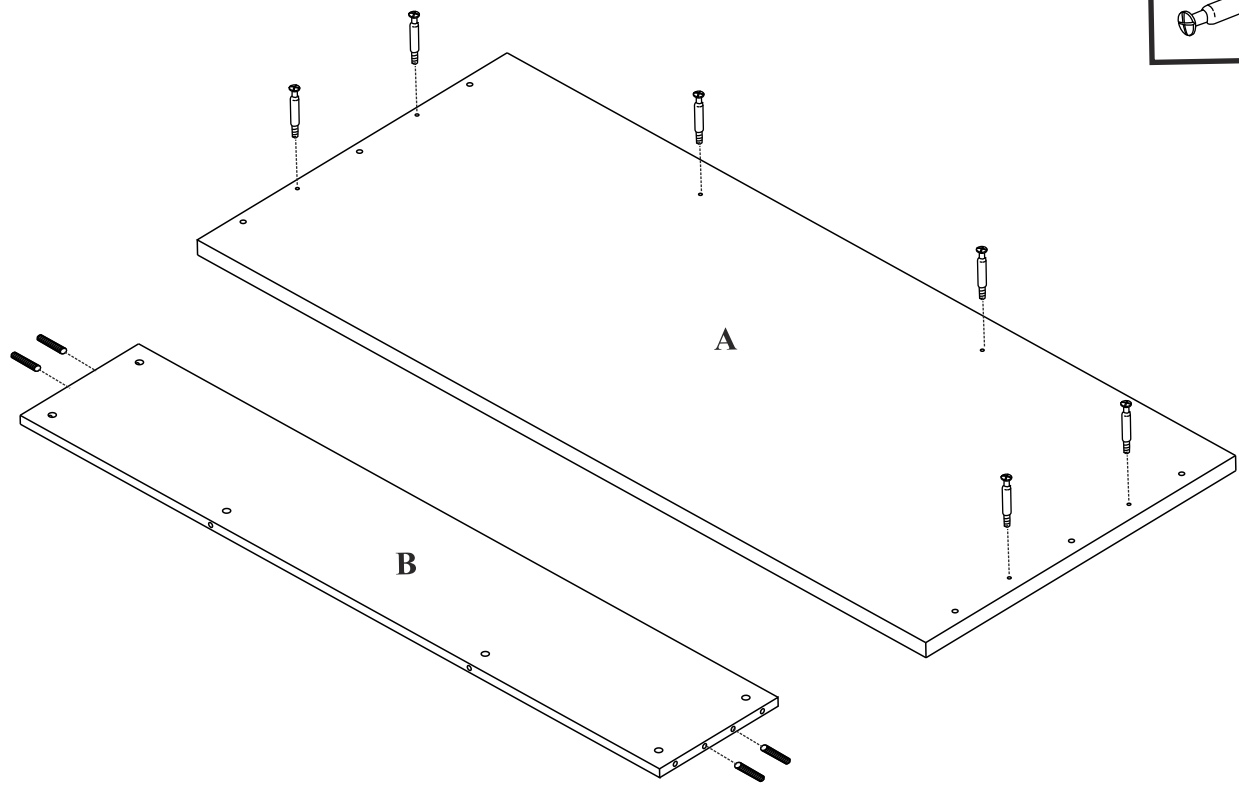
1
x4




1

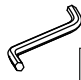
4 8x35
x4


1
x6

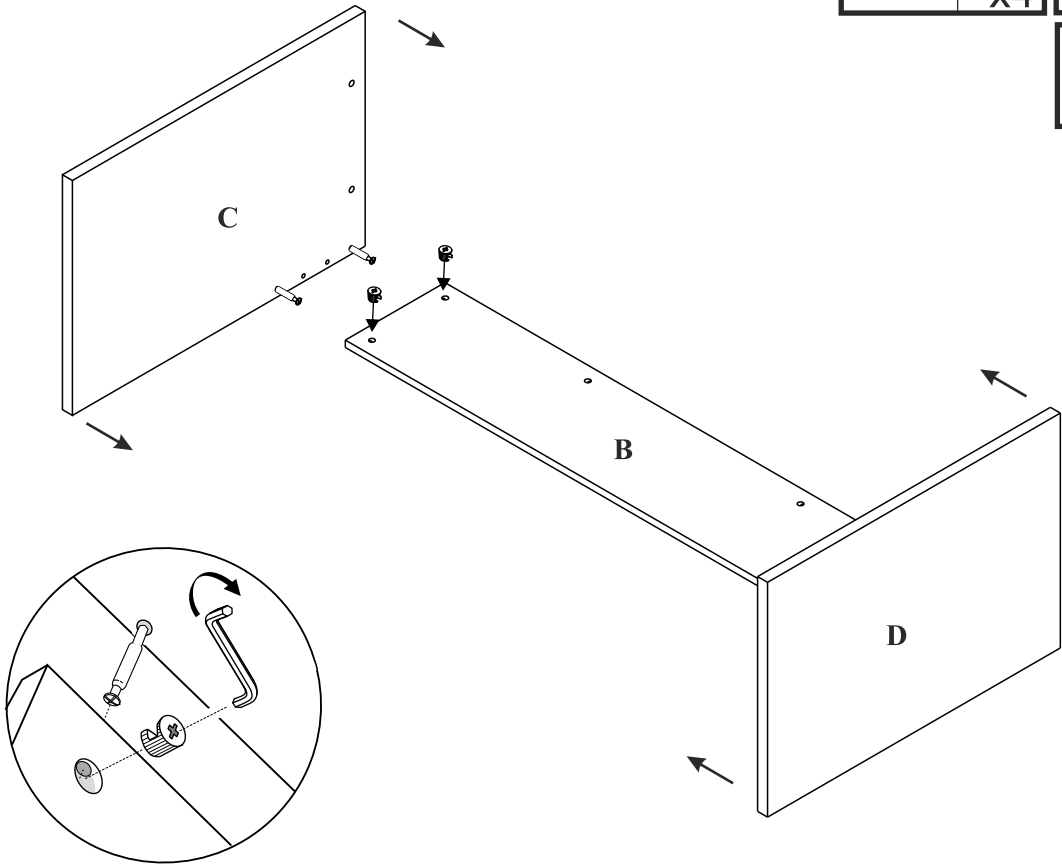


2

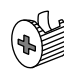
2		15x12	
			x4


5			x1
---	--	--	----


7			x4
---	---	--	----




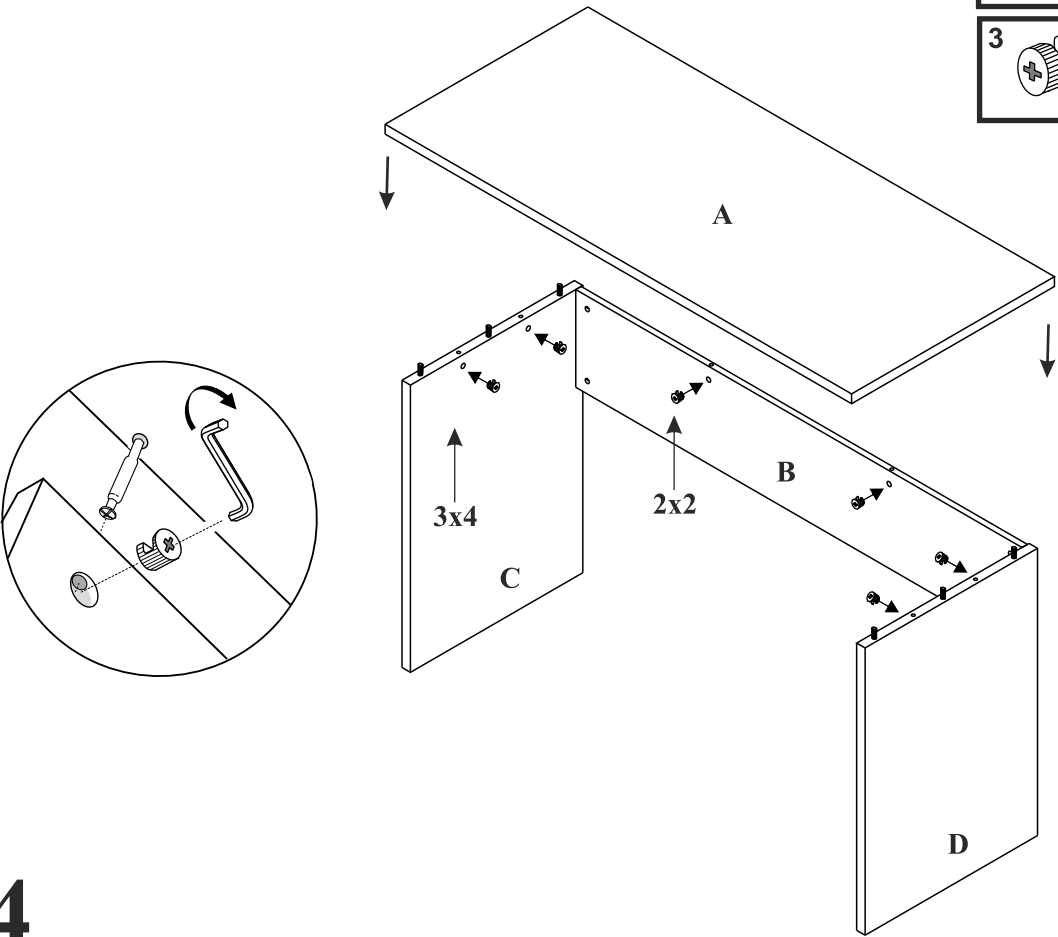
3

2		15x12	
			x2

5			x1
---	---	--	----

3		15x16	
			x4

7			x6
---	---	--	----



4