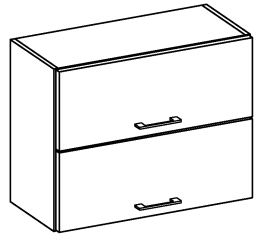







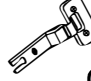



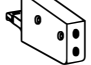

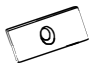

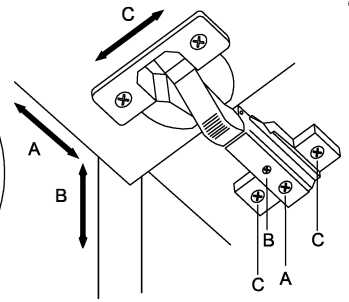
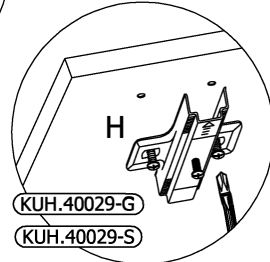
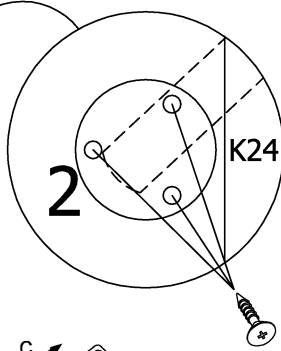
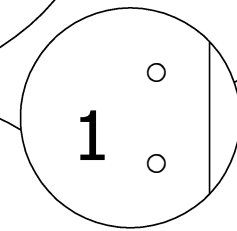
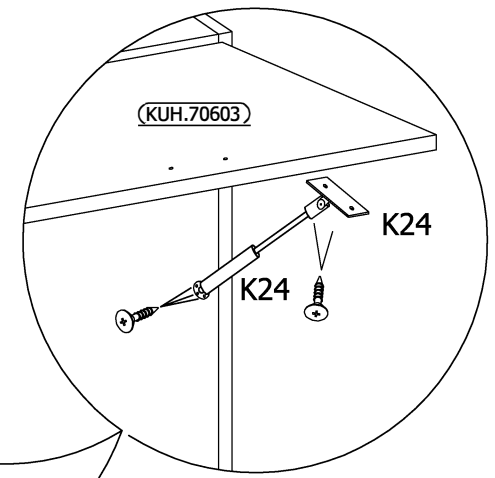
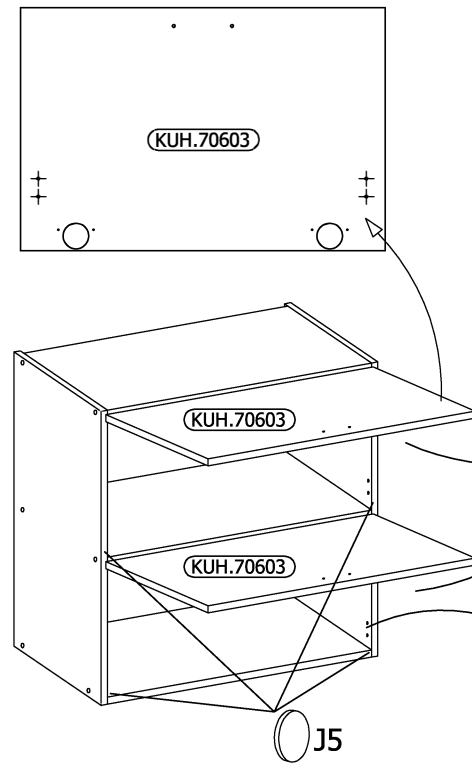
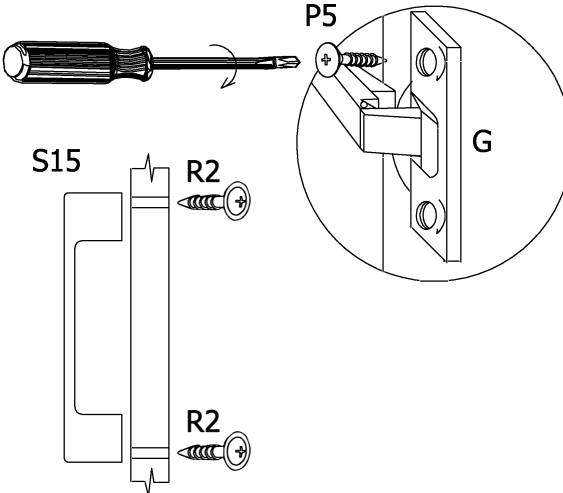
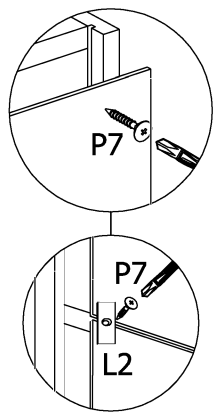
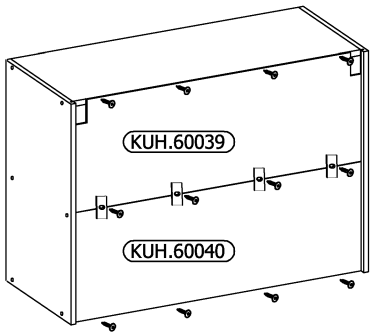
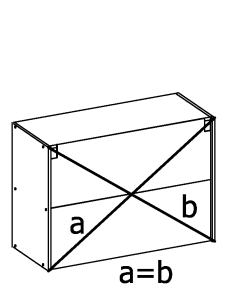
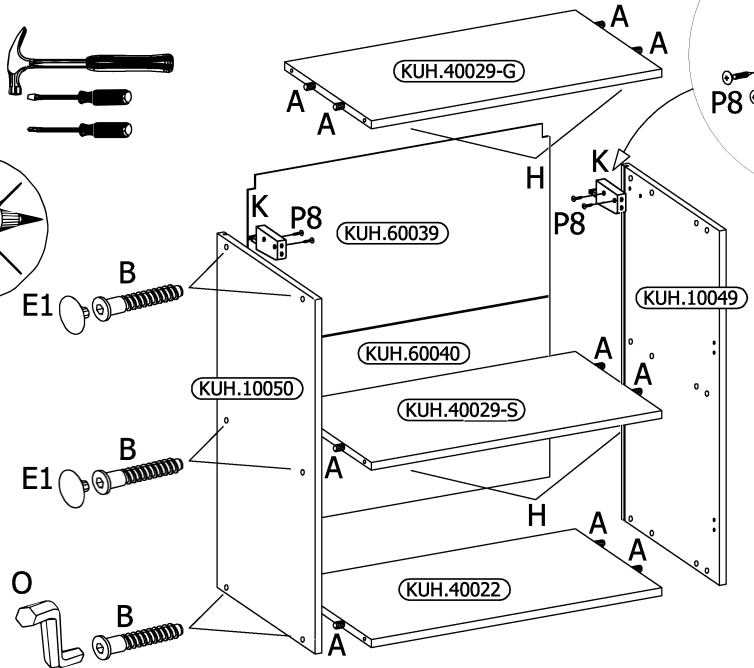
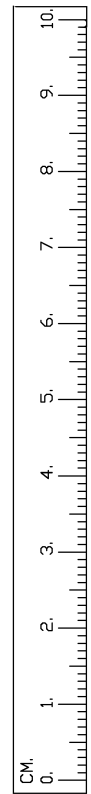
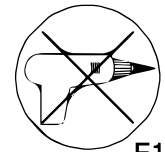
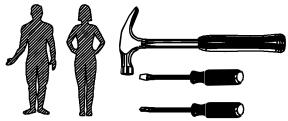


80 GU-72 2F VIRION

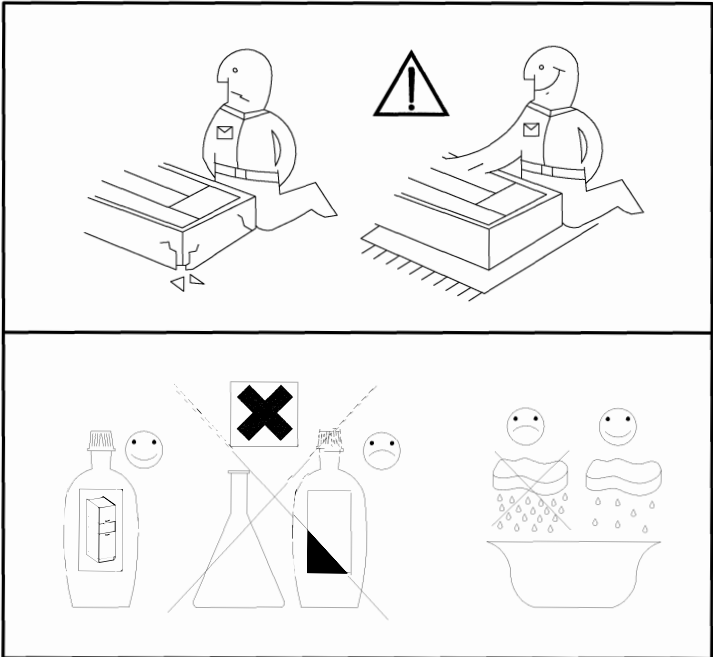
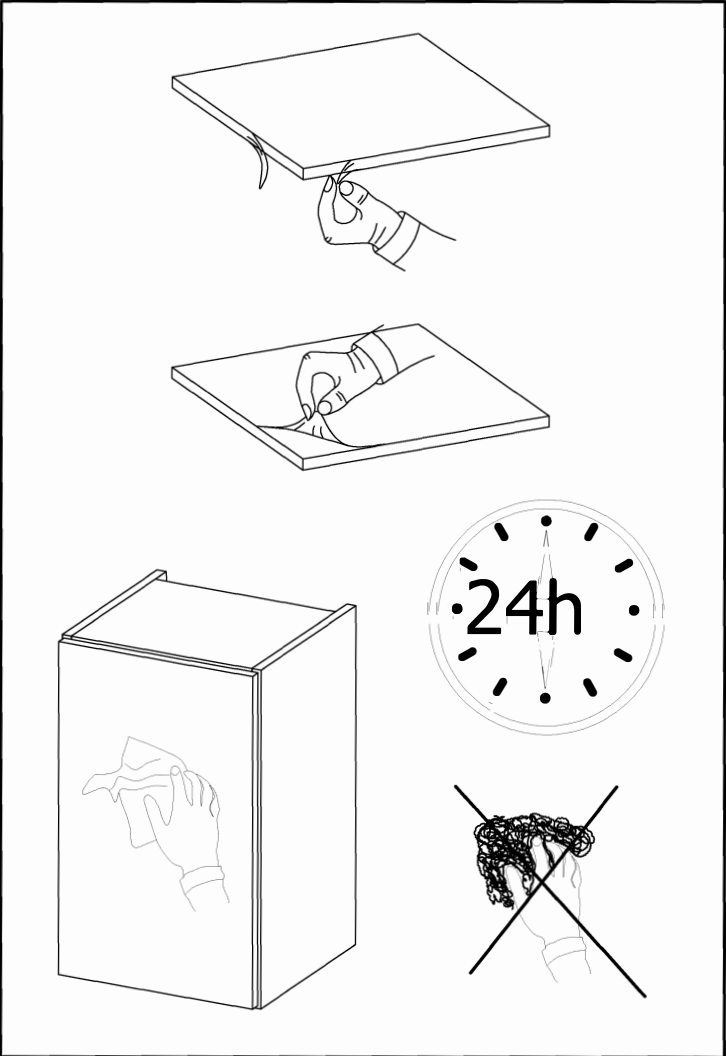
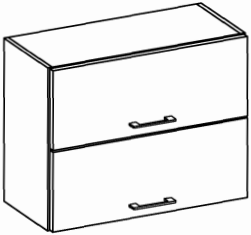


 B	 E1	 A	 O	 S15	 R2	 P7	 G	 H	 P5	 K24	 K	 P8
12	12	12	1	2	4	10-15	4	4	8	4	2	4
 L2	 J5											
4	4											






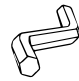
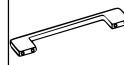













ISM-KUH-00764

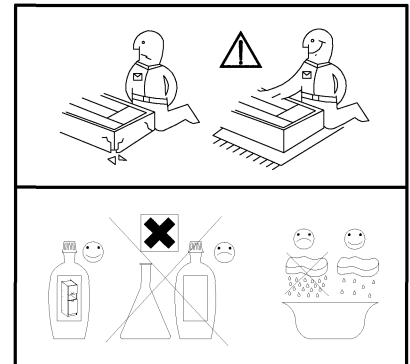
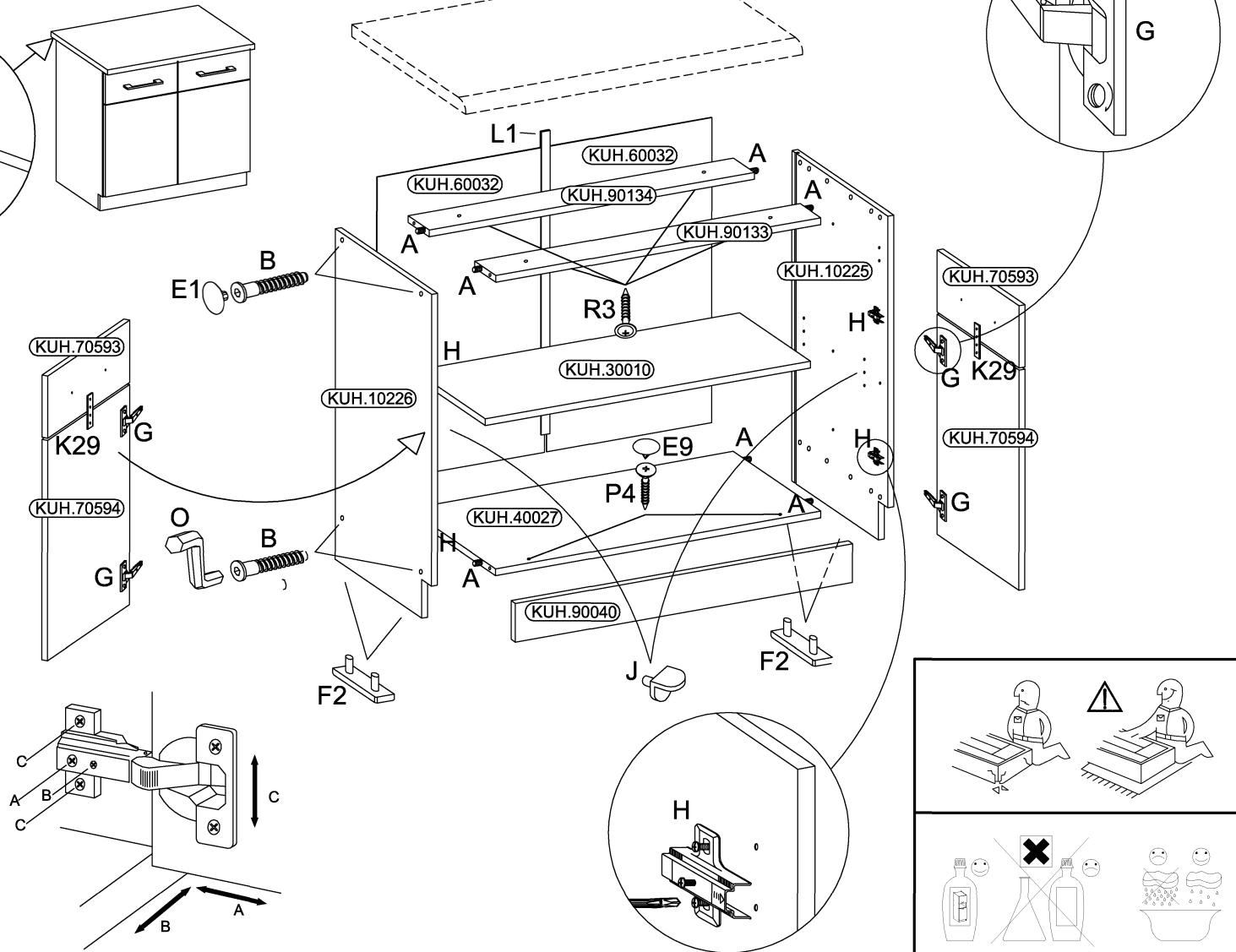
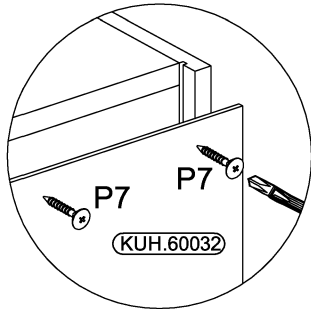
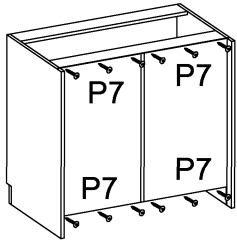
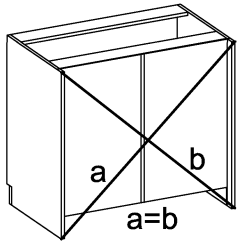
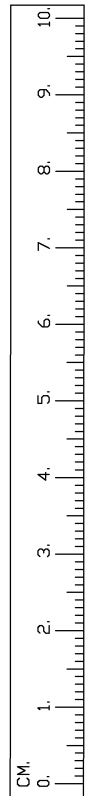
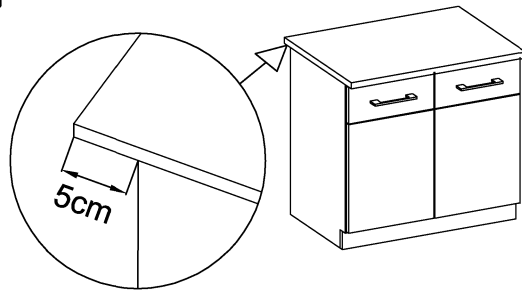
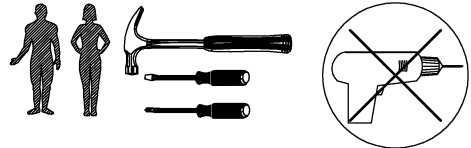
80 GU-72 2F VIRION



80 D 2F BB VIRION

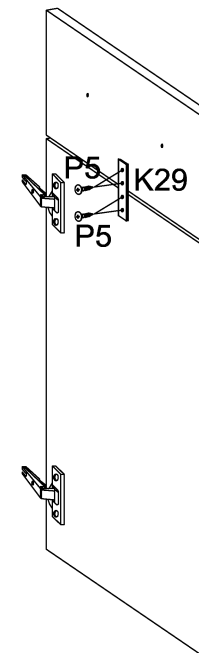
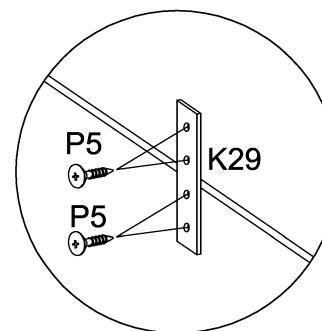
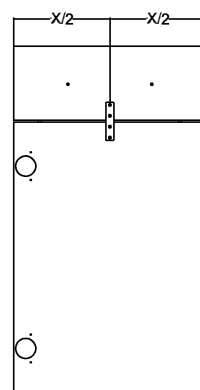
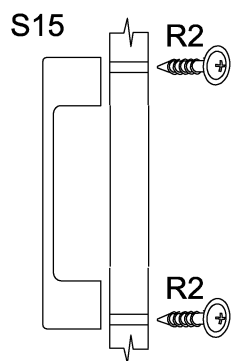
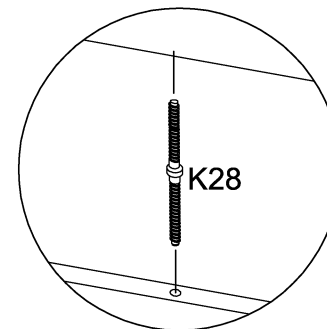
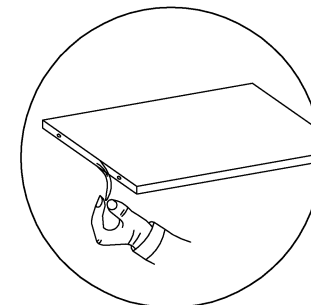
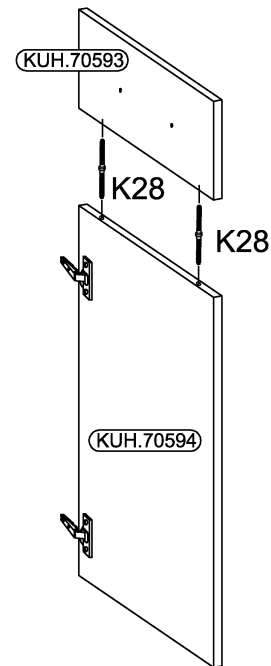
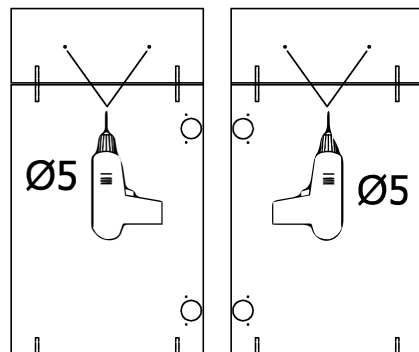
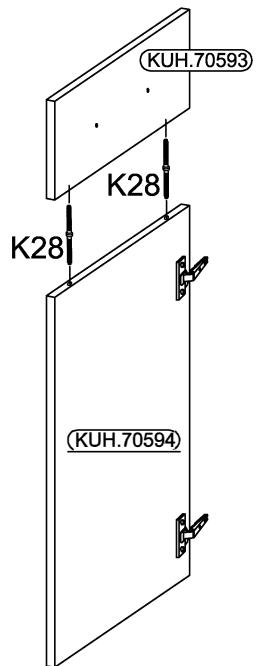
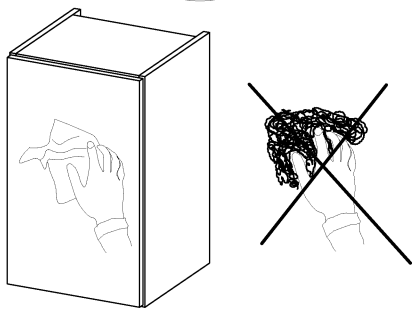
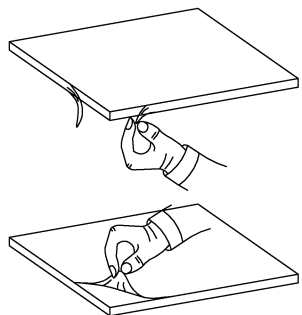
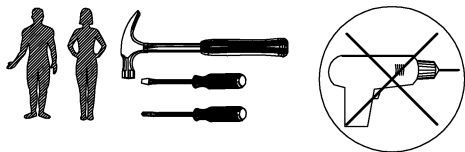
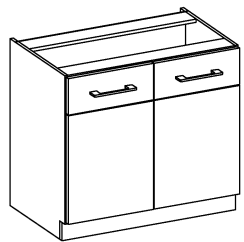


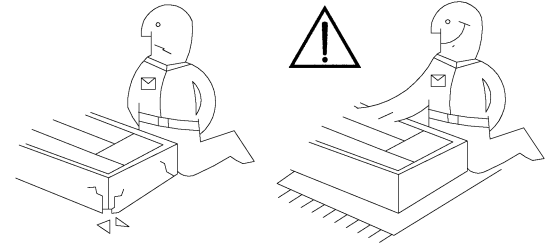
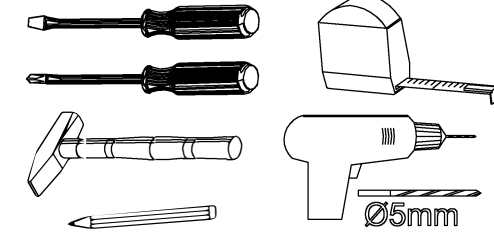
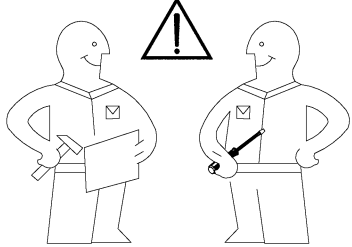
 B	 E1	 A	 O	 S15	 R2	 P7	 J	 L1	 G	 H	 P5	 F2
8	8	8	1	2	4	10-15	4	1	4	4	16	4
 R3	 P4	 E9	 K29	 K28								
4	2	2	2	4								



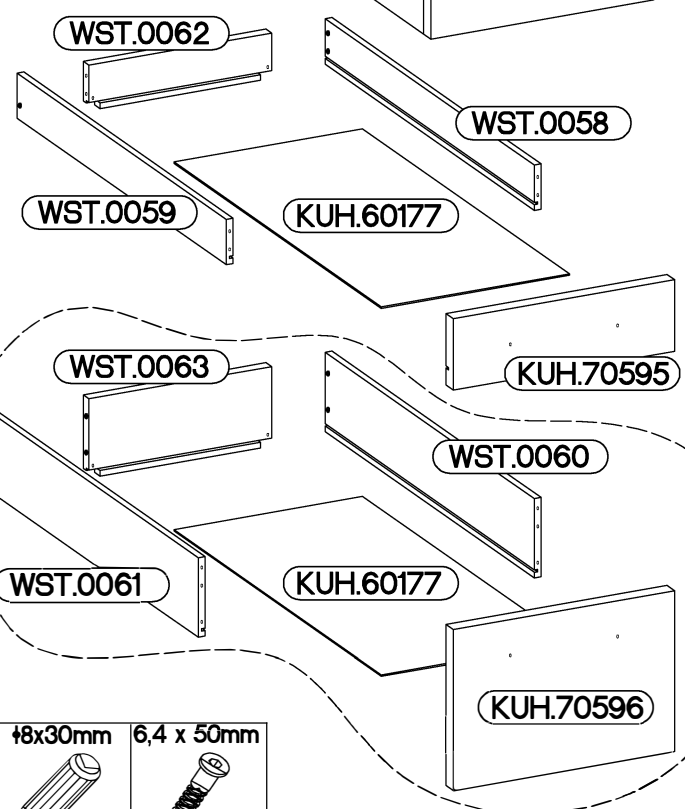
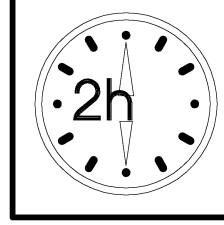
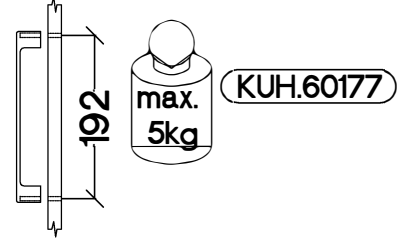
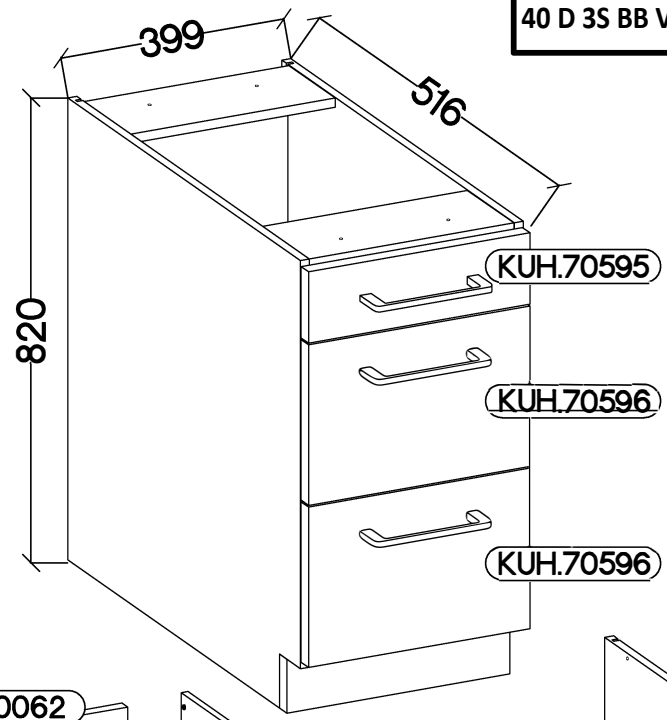
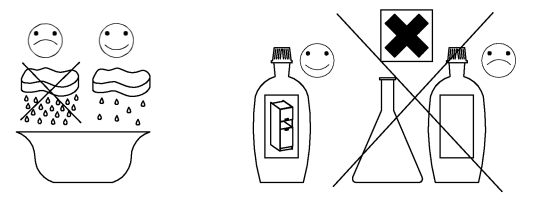
ISM-KUH-00785

80 D 2F BB VIRION

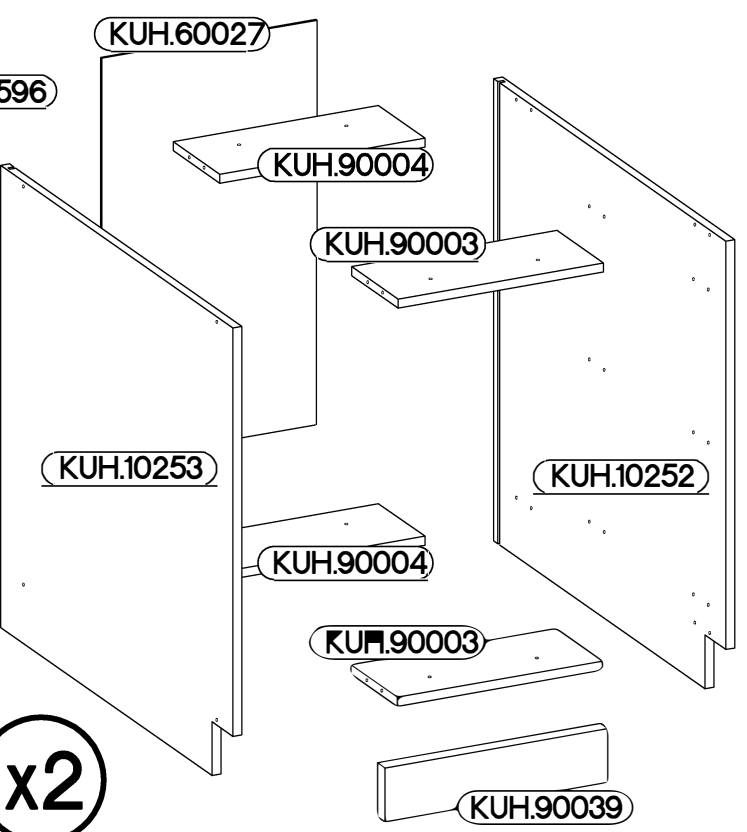




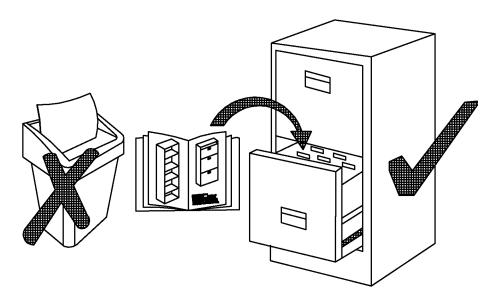
40 D 3S BB VIRION



x2





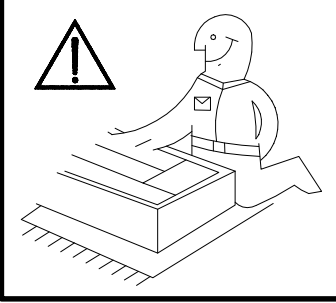
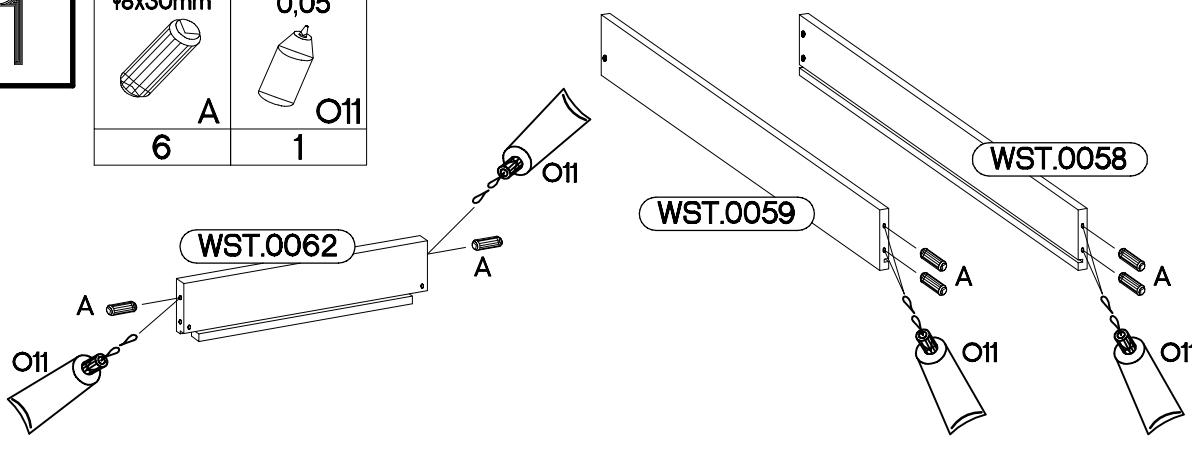
18x30mm	6,4 x 50mm					
A	B					
26	8					
6x42mm				L=450mm		5.0x13mm
B2	E1	E9	F2	L=450mm	I11	M
10	8	2	4	3	24	
	0,05	4.0x45mm	3.0x20mm	4.0x30mm	4.0x35mm	
O	O11	P4	P7	R2	R3	S15
1	1	2	8-10	6	4	3





ISM-KUH-00961

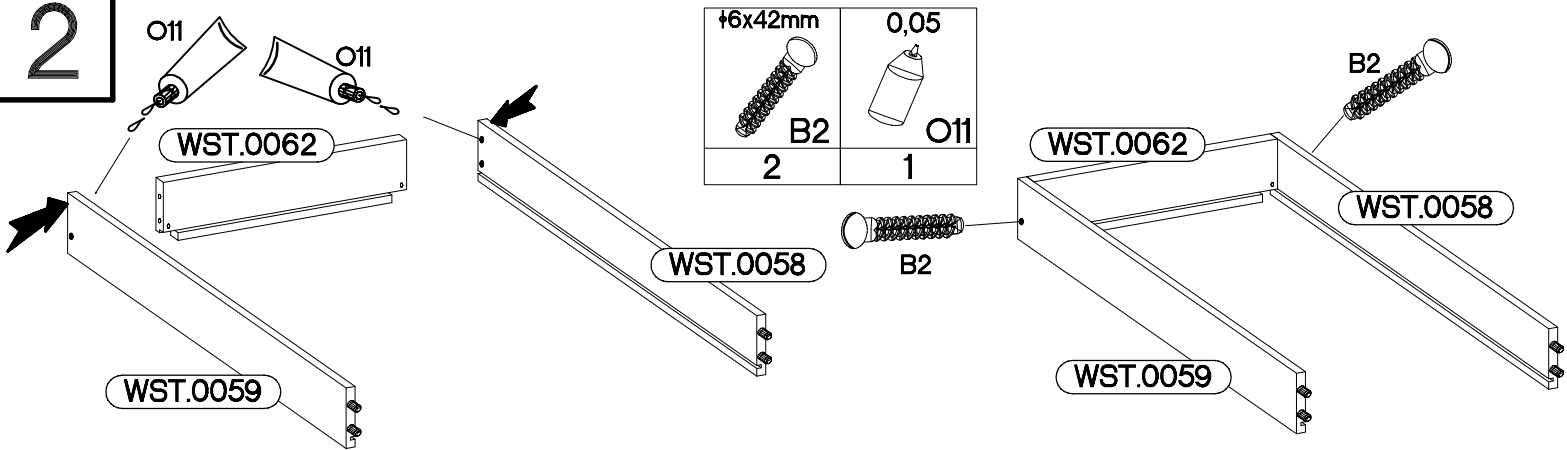
1

+8x30mm  A 6	0,05  O11 1
---	--




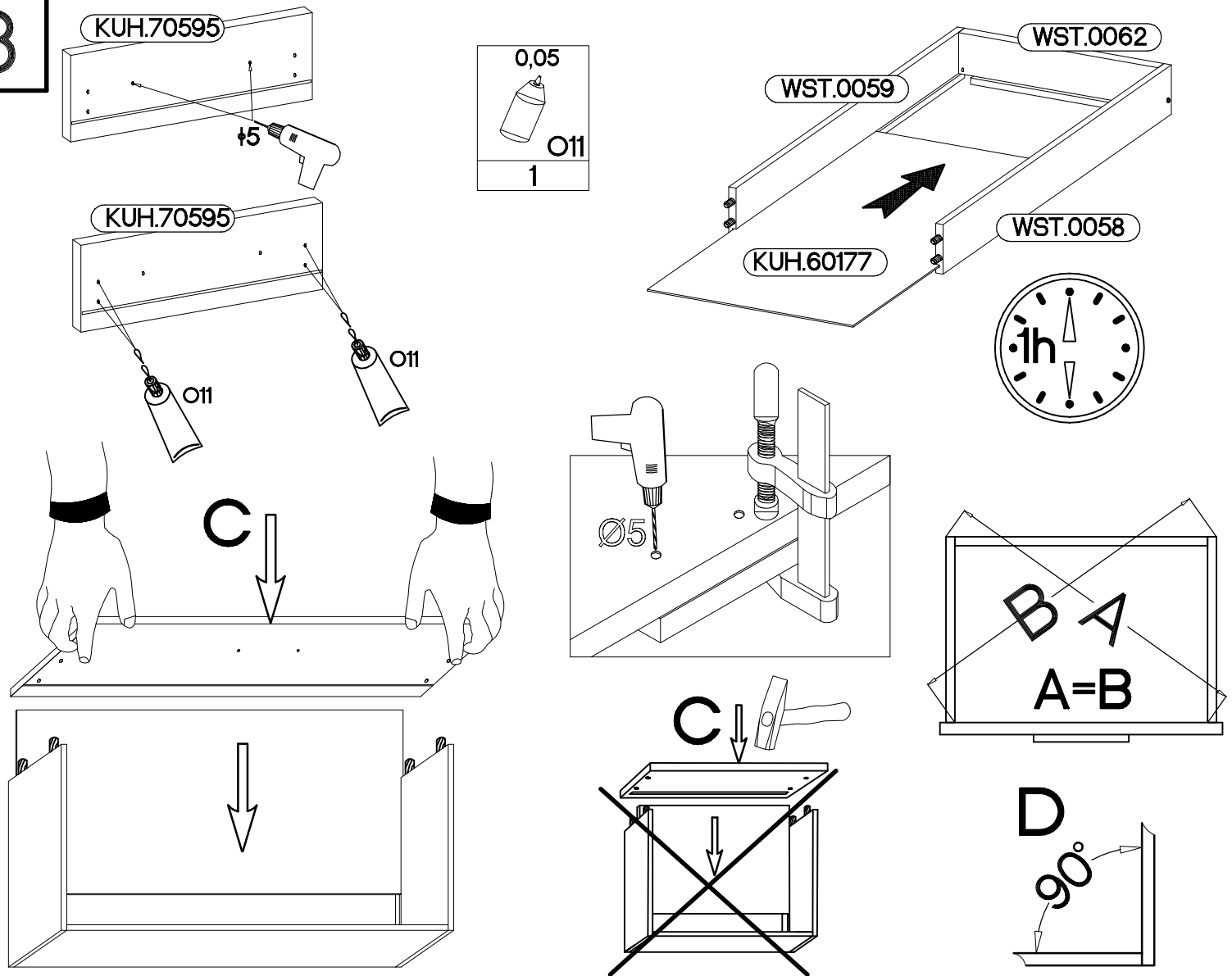
2

+6x42mm  B2 2	0,05  O11 1
---	---

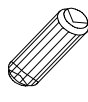



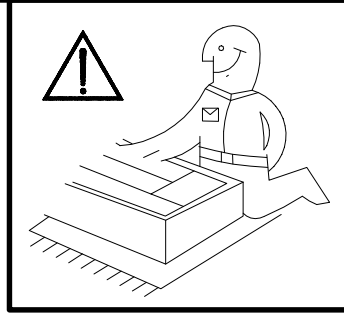
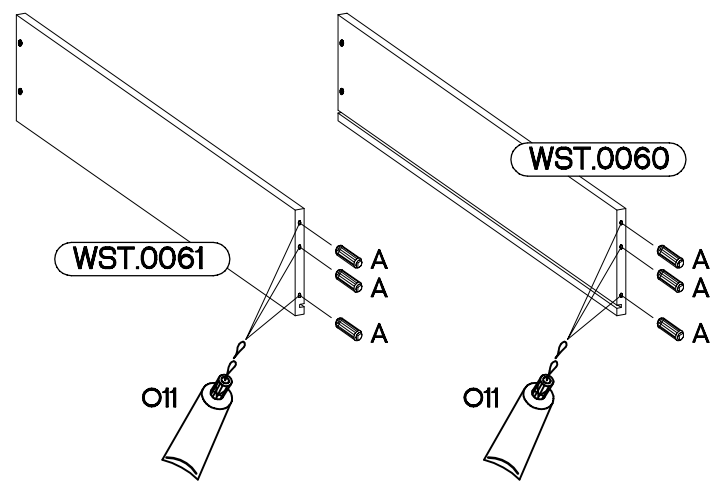
3

0,05  O11 1




4

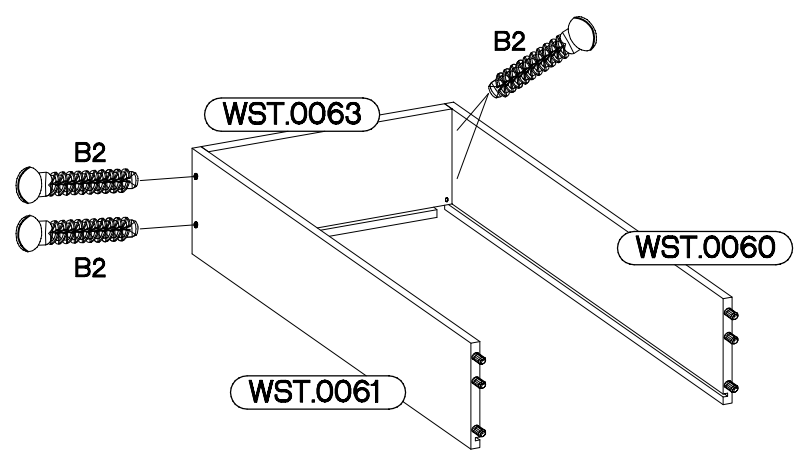
+8x30mm  A 12	0,05  O11 1
--	--



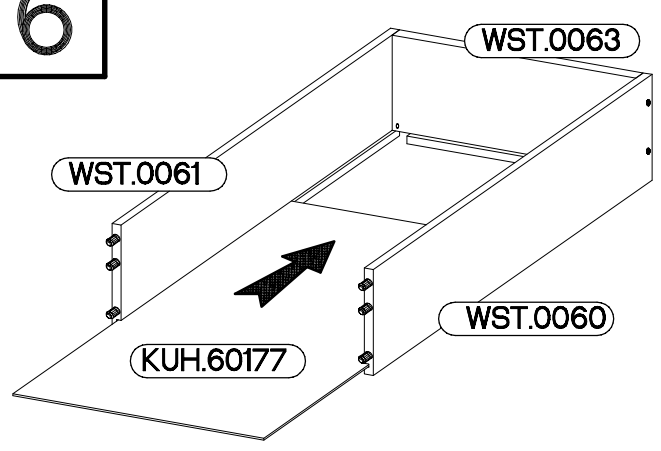
x2


5

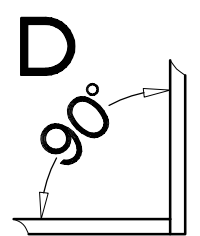
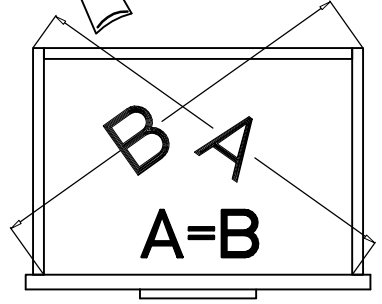
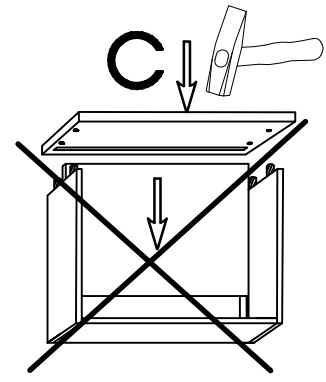
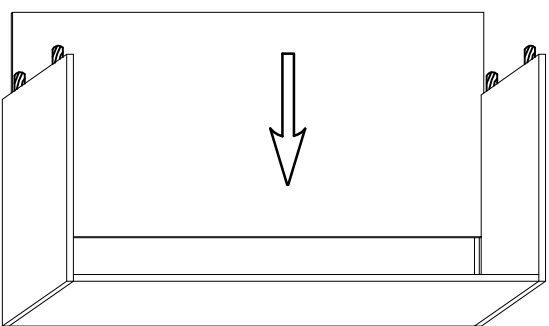
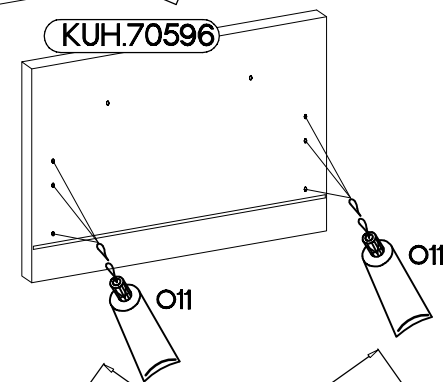
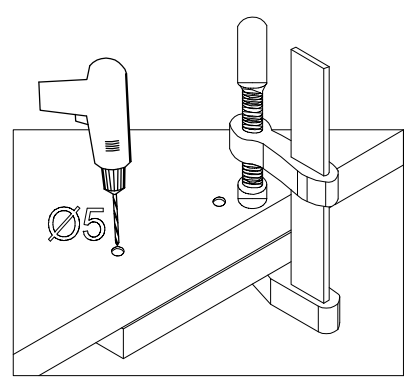
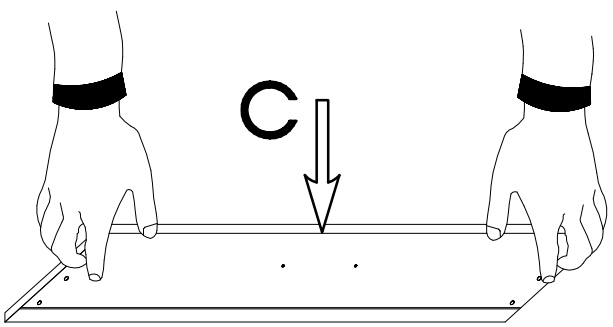
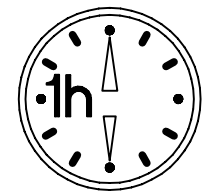
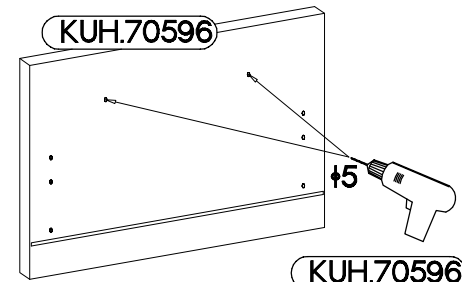
+6x42mm  B2 8

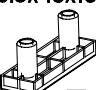
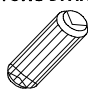
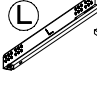
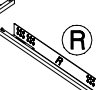



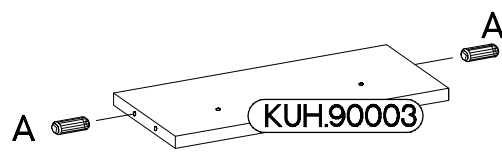
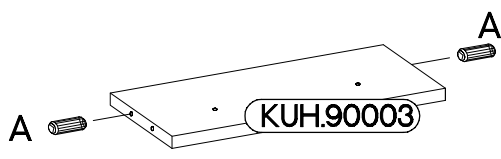
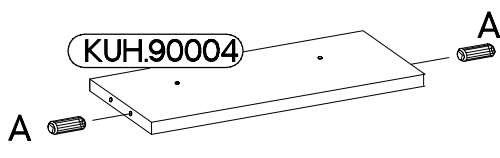
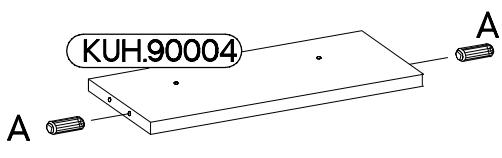
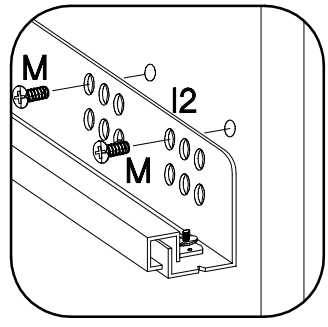
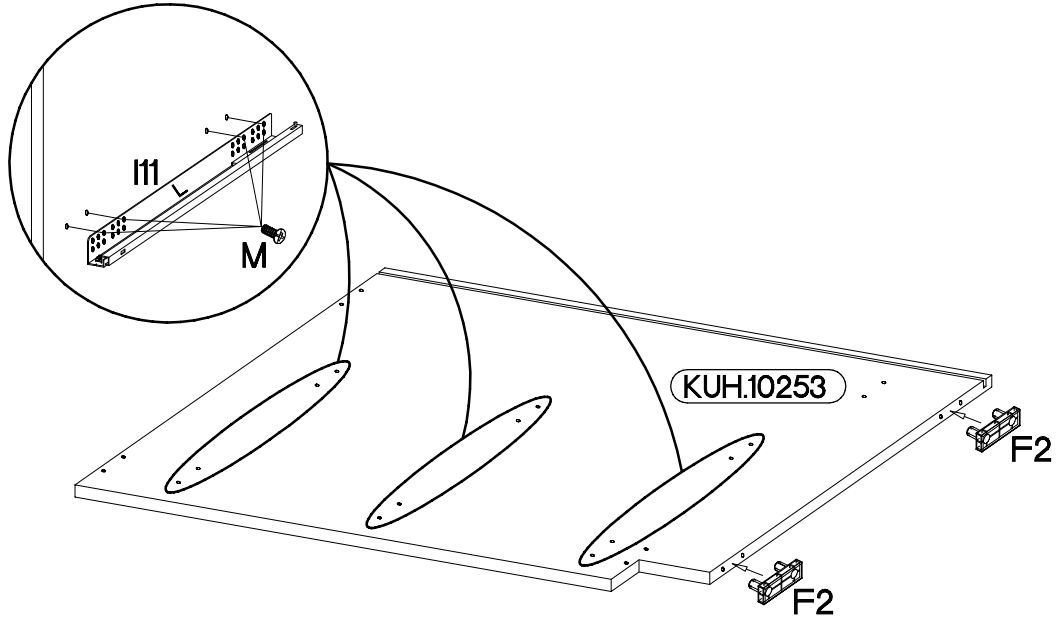
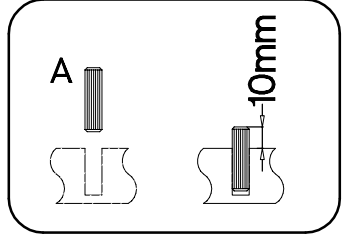
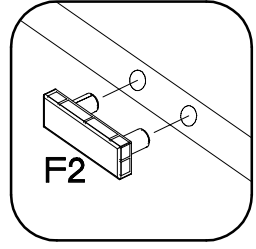
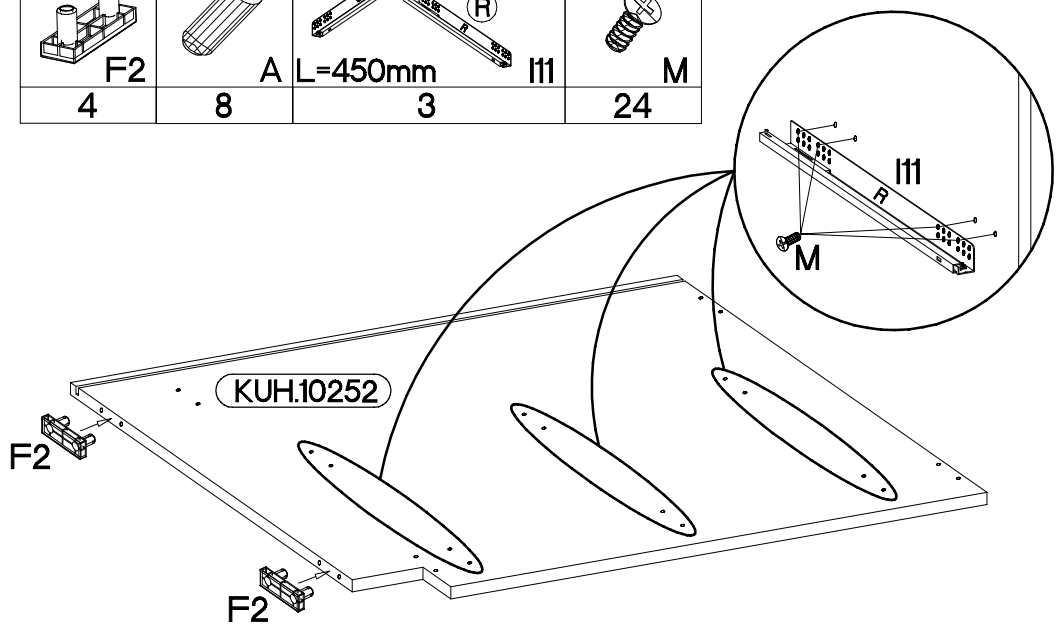
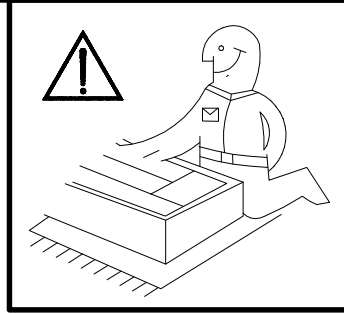
6



0,05  O11 1

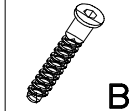


6.5x48x16  F2 4	+8x30mm  A 8	L  L=450mm R  I11 3	+5.0x13mm  M 24
--	---	--	--



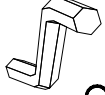
8

6,4 x 50mm



B

4



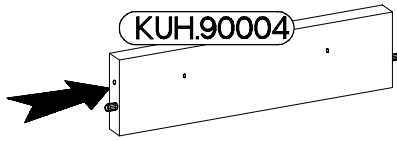
O

1

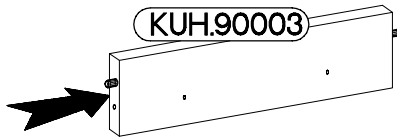


E1

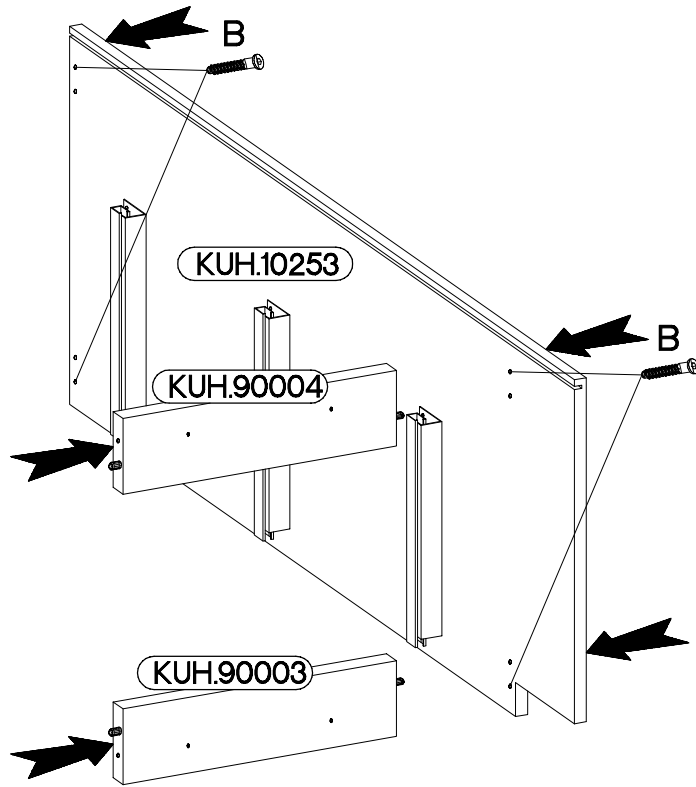
4



KUH.90004



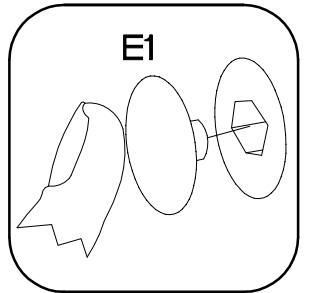
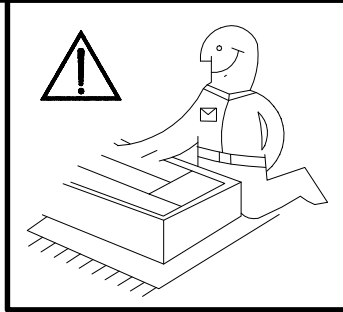
KUH.90003



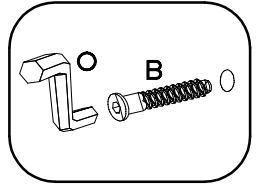
KUH.10253

KUH.90004

KUH.90003

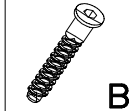


E1



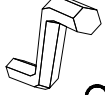
9

6,4 x 50mm



B

4



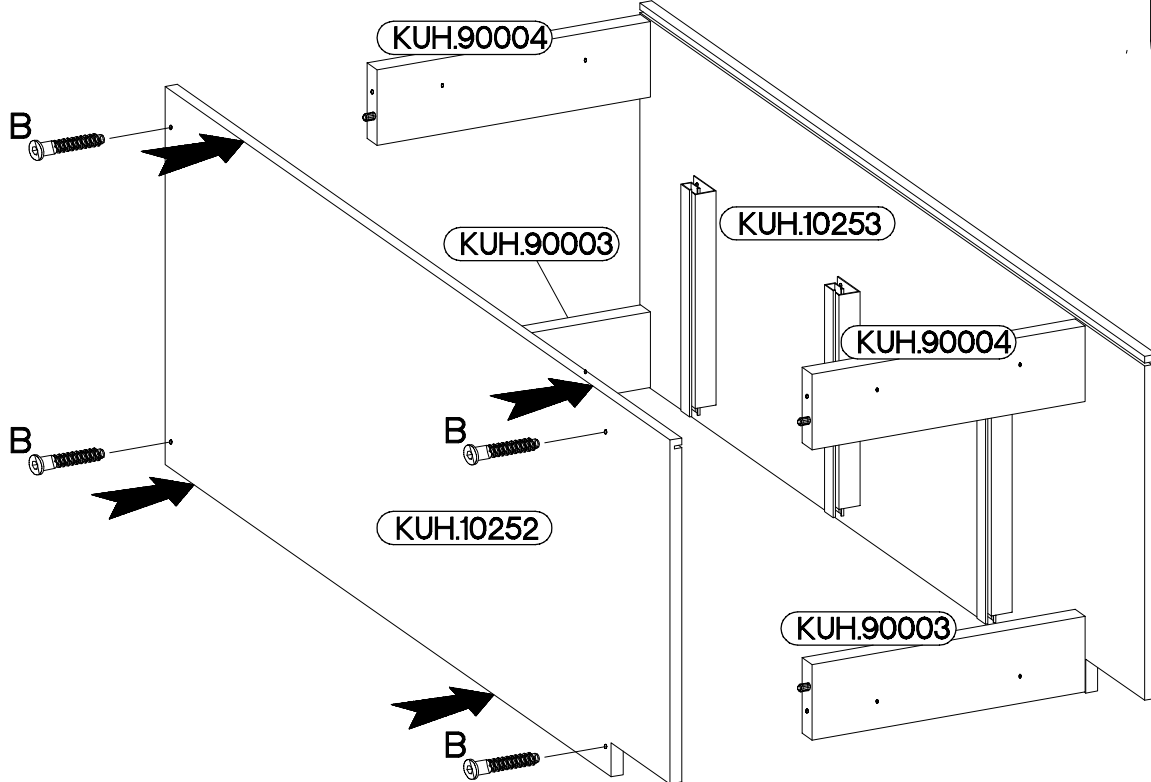
O

1



E1

4



KUH.90004

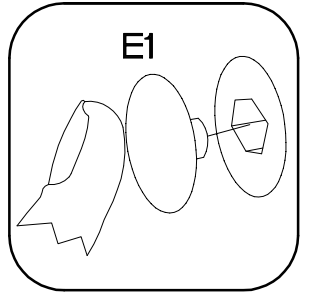
KUH.90003

KUH.10253

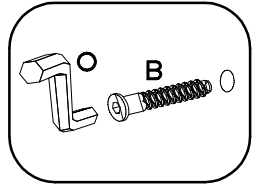
KUH.10252

KUH.90004

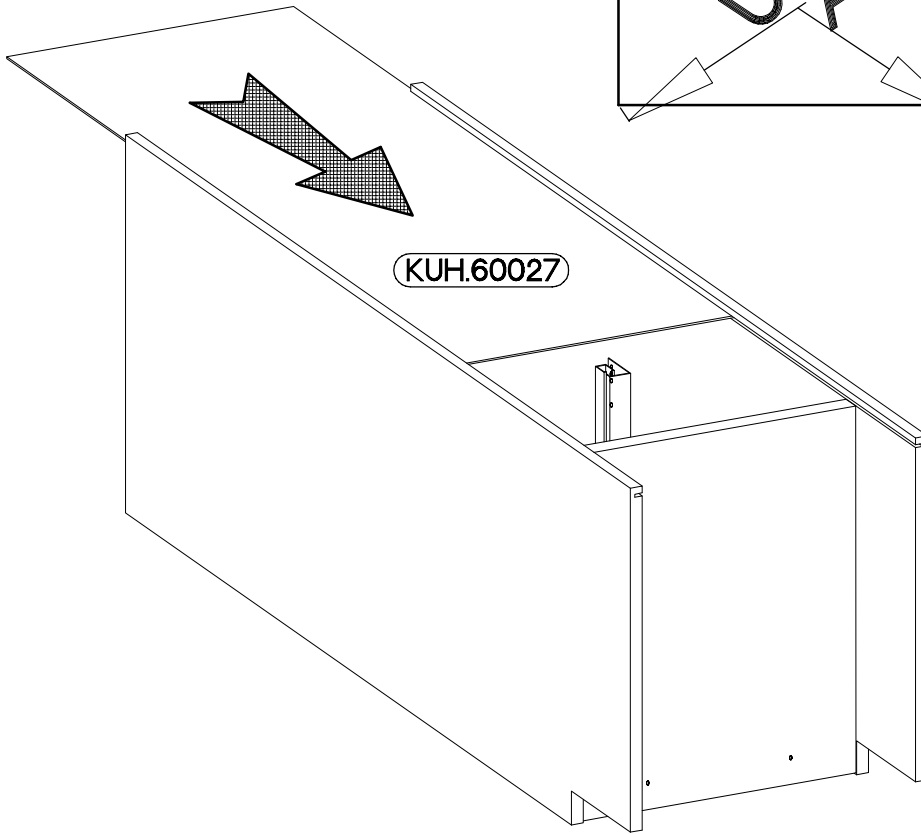
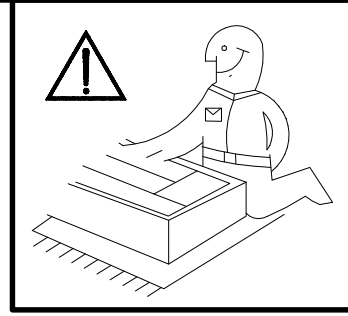
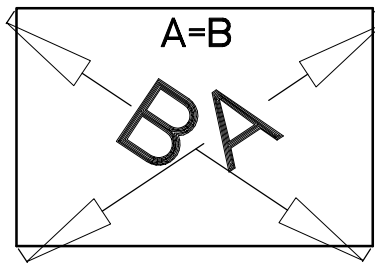
KUH.90003



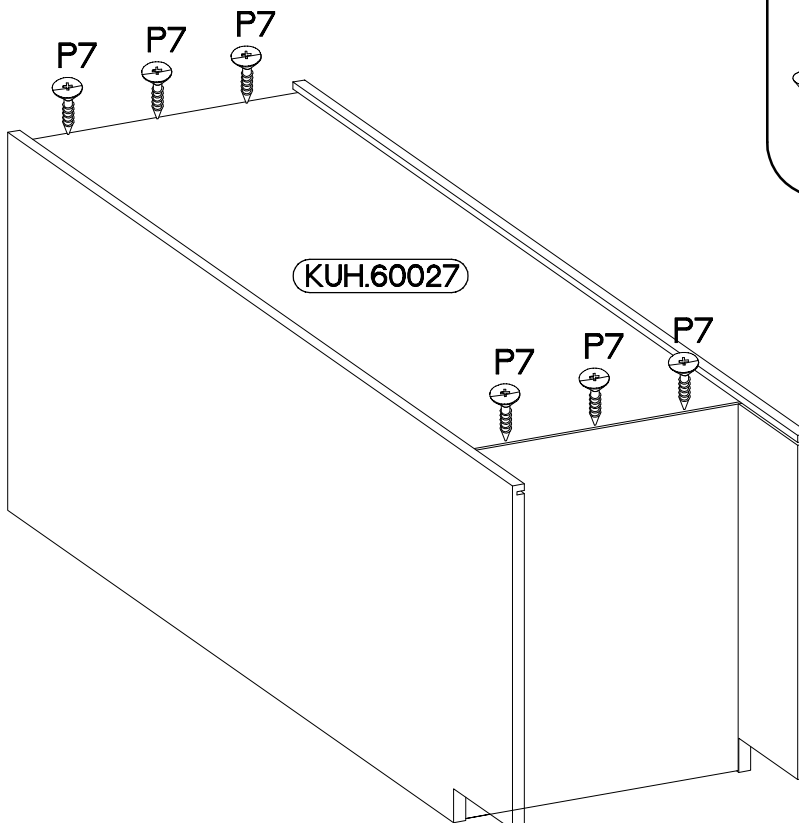
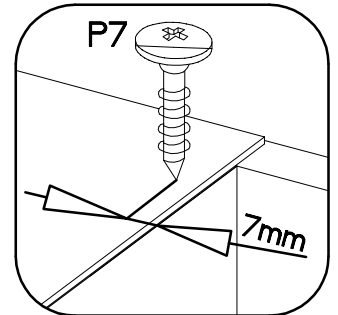
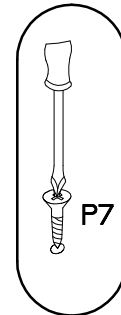
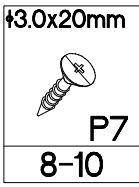
E1





10

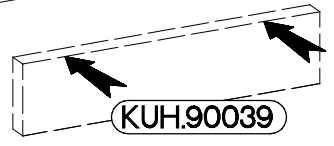
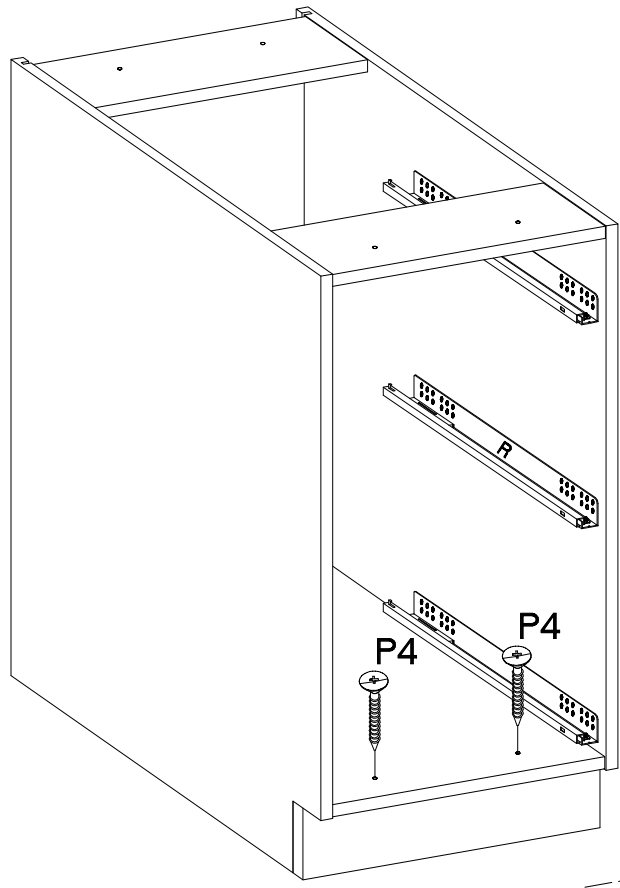
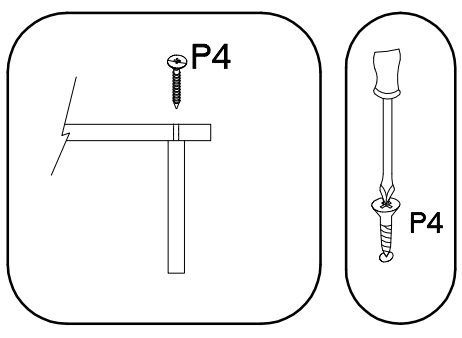


11




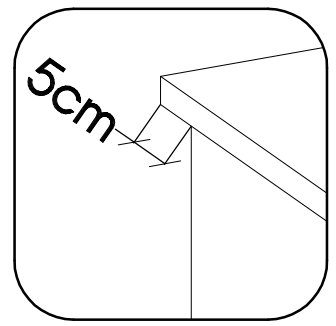
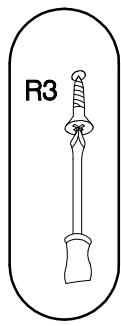
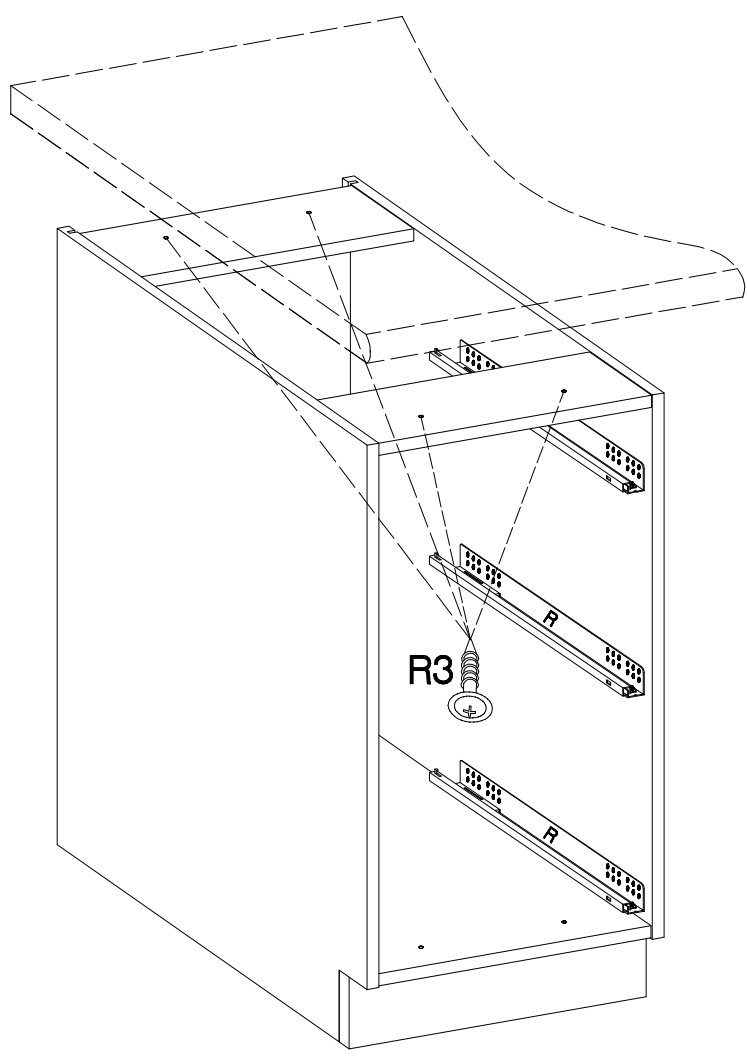
12



4.0x45mm	
	E9
P4	
2	2

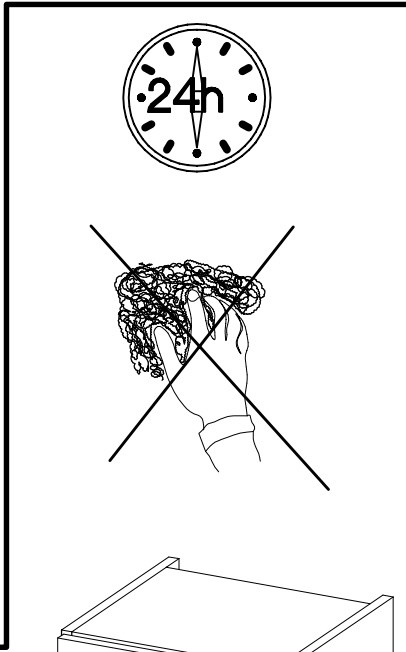
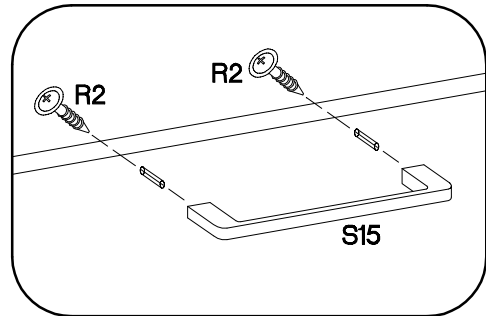
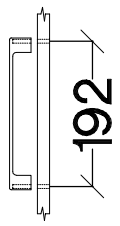
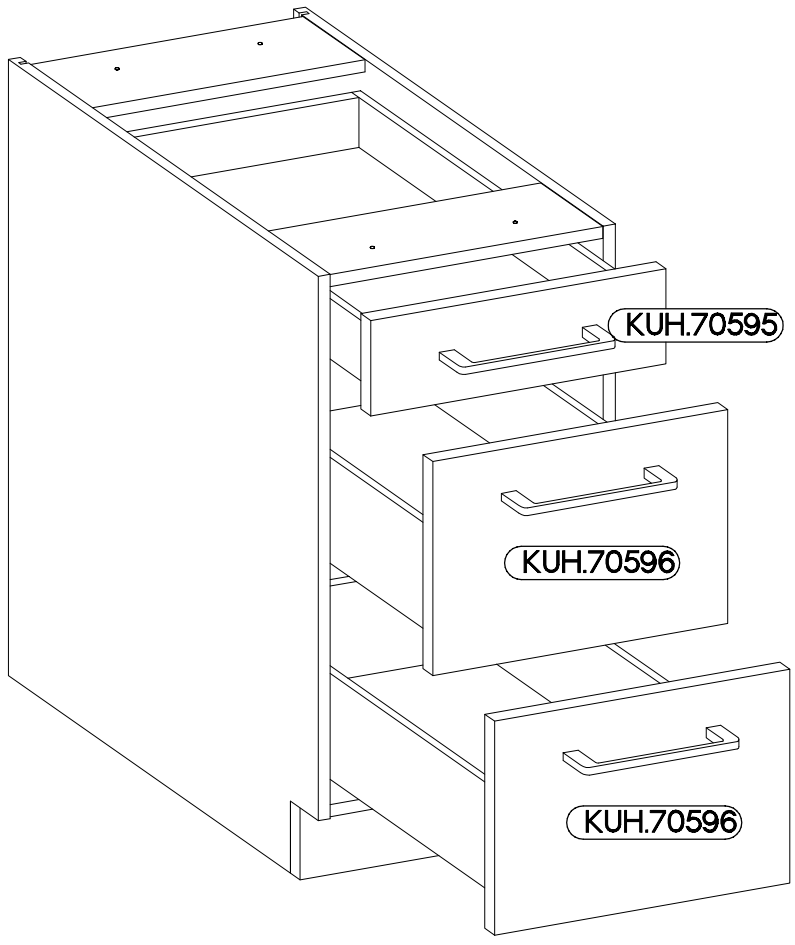
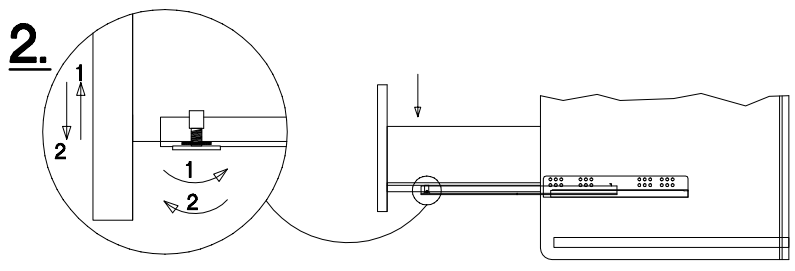
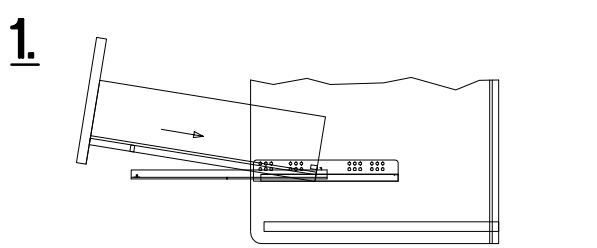


13

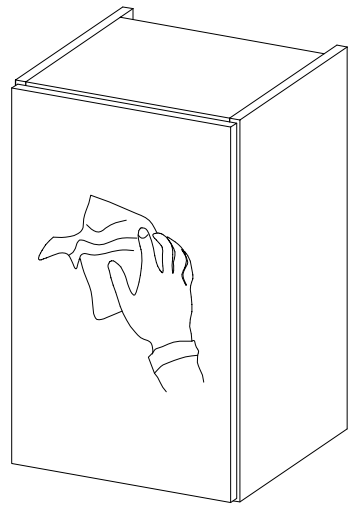
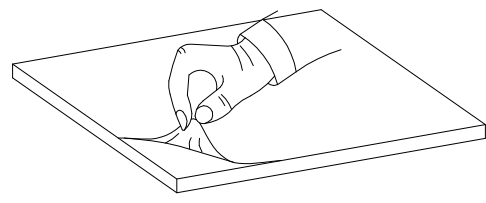
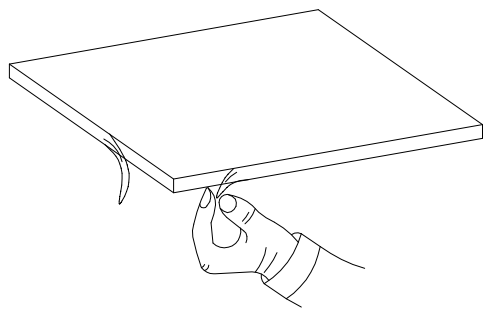
4.0x35mm	
R3	
4	

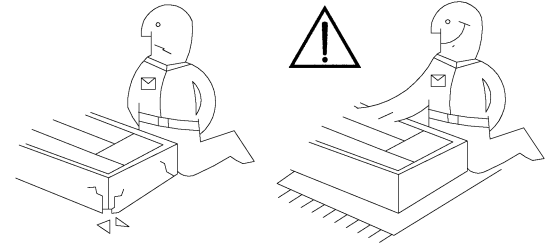
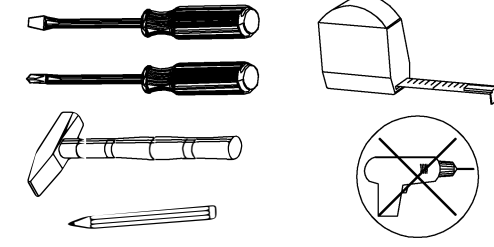
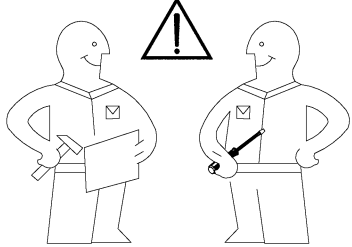


4.0x30mm	
	
R2	S15
6	3

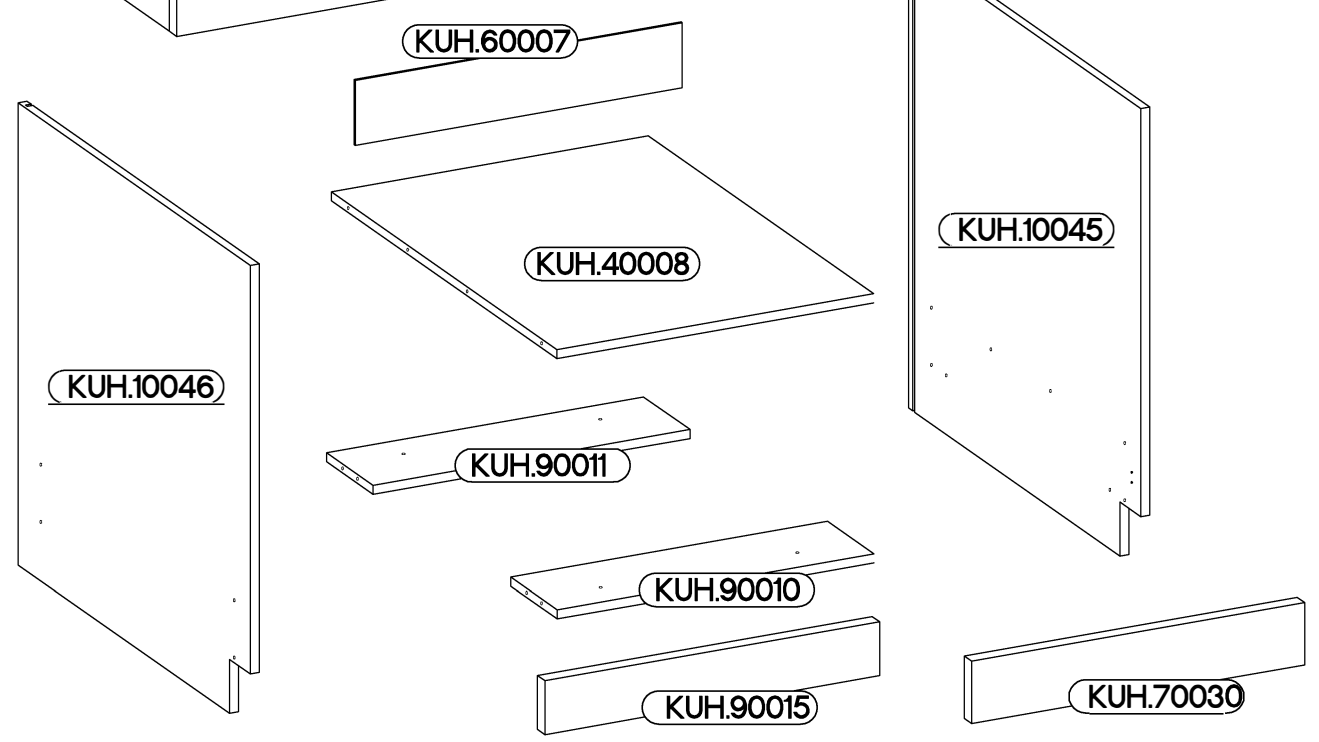
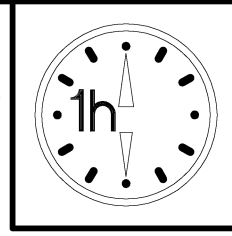
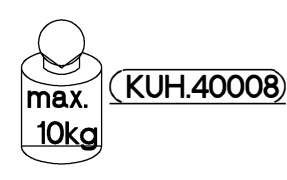
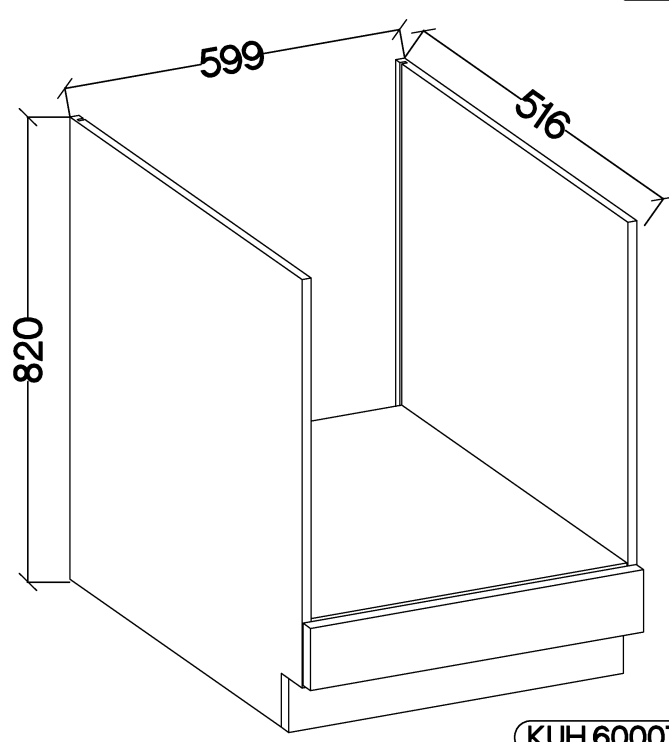
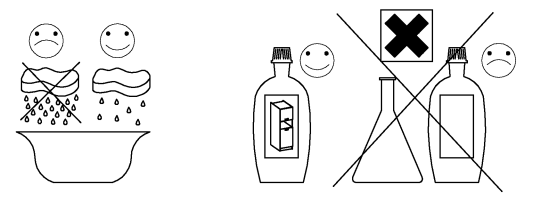


VARIANT HIGH GLOSS

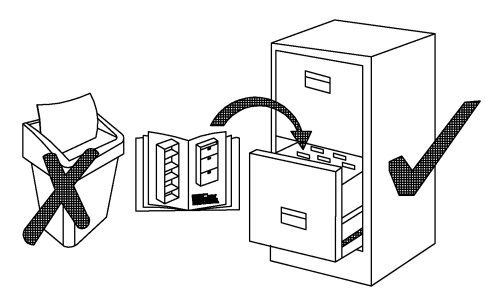




60 D GAZ BB VIRION

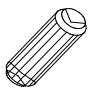
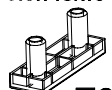




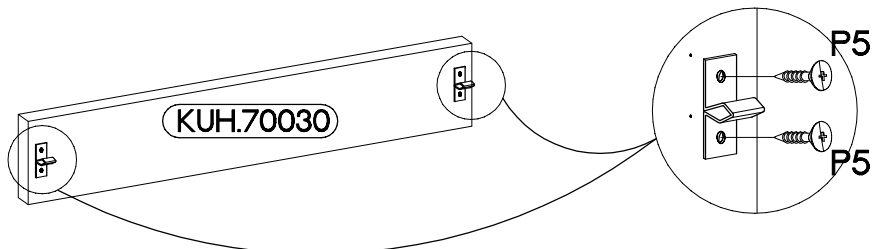
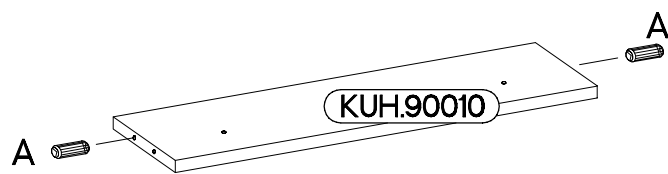
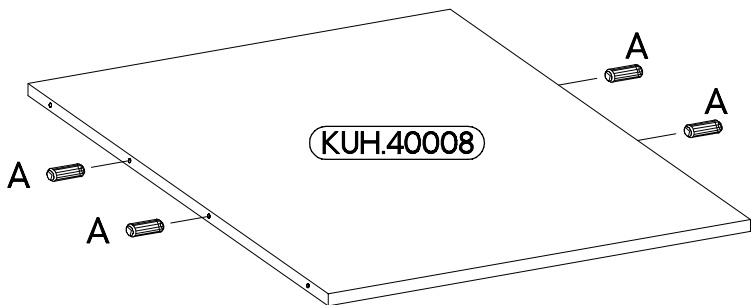
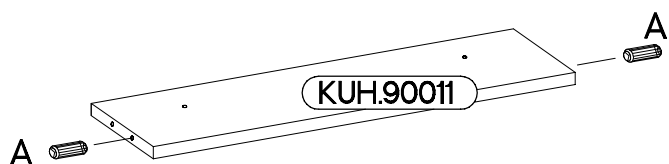
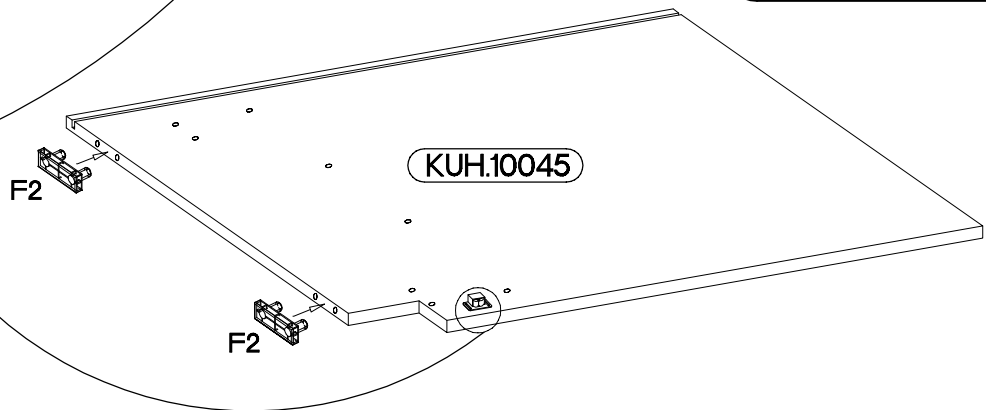
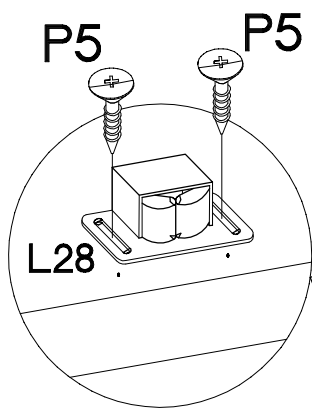
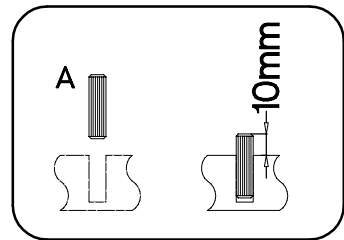
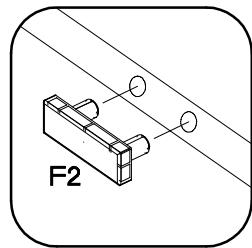
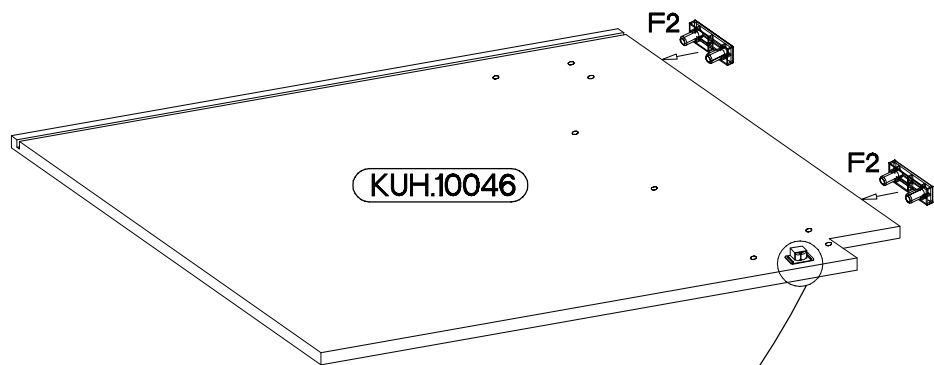
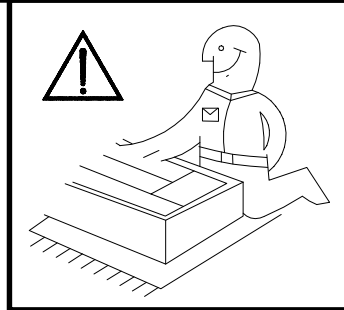
±8x30mm A 8	6,4 x 50mm B 8	 E1 8	 E9 2	6.5x48x16 F2 4
 L28 2	 O 1	±4.0x45mm P4 2	±3.5x13mm P5 8	±3.0x20mm P7 8-10



ISM-KUH-00978

1

$\pm 8 \times 30 \text{mm}$  A	$6.5 \times 48 \times 16$  F2	$\pm 3.5 \times 13 \text{mm}$  L28	$\pm 3.5 \times 13 \text{mm}$  P5
8	4	2	8



2

6,4 x 50mm



B

2



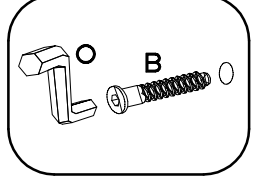
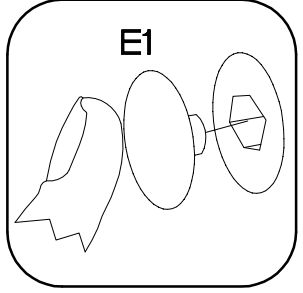
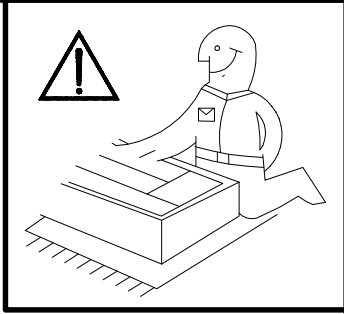
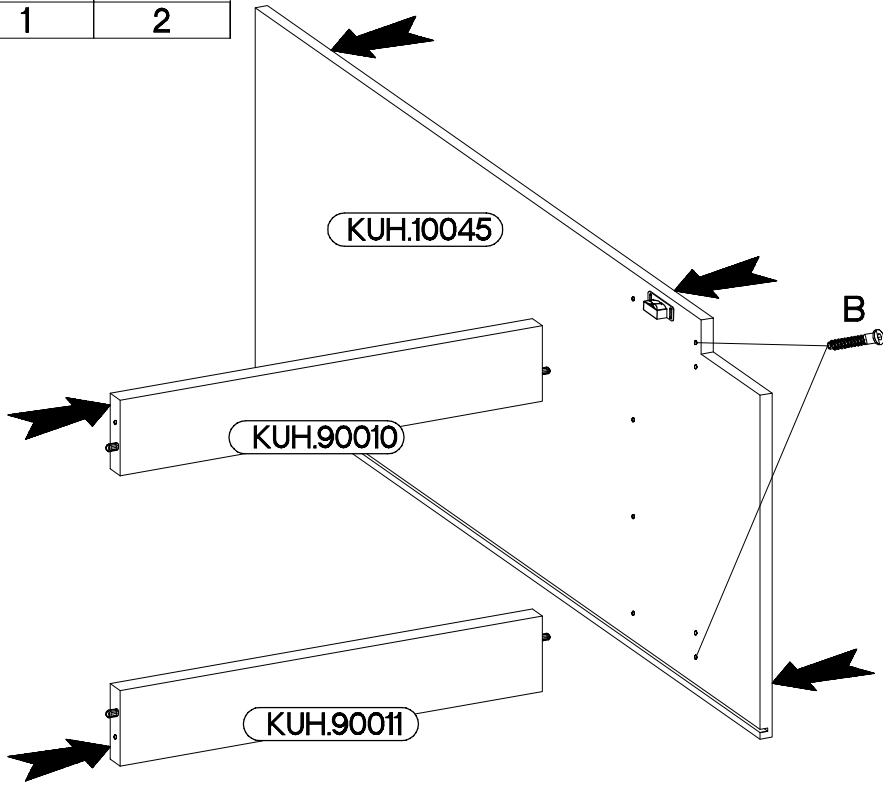
O

1



E1

2



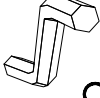
3

6,4 x 50mm



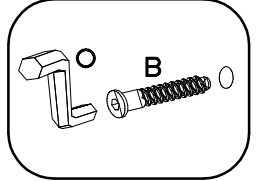
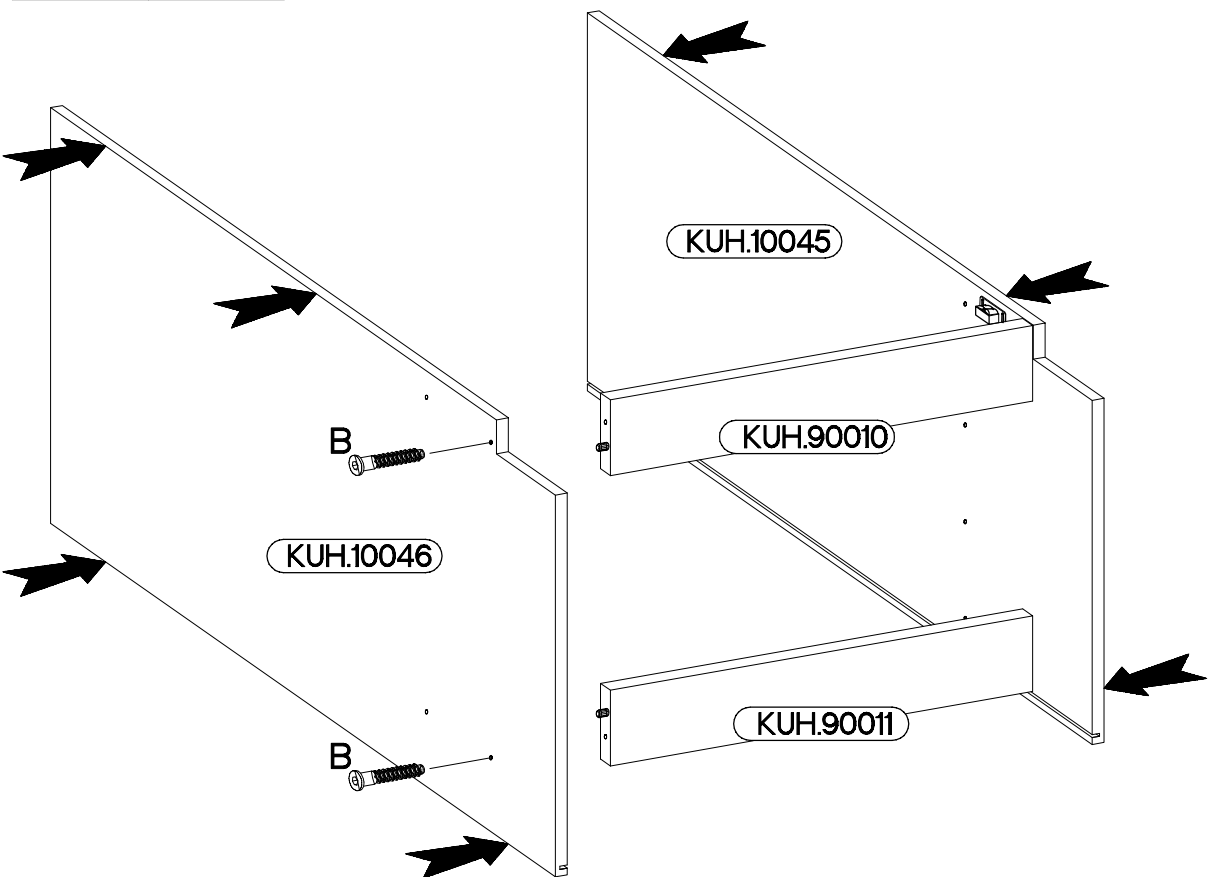
B

2




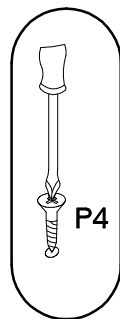
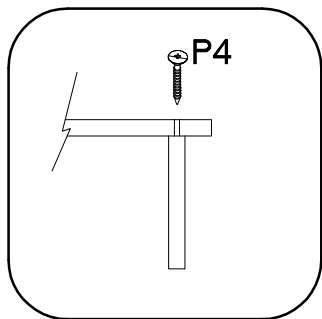
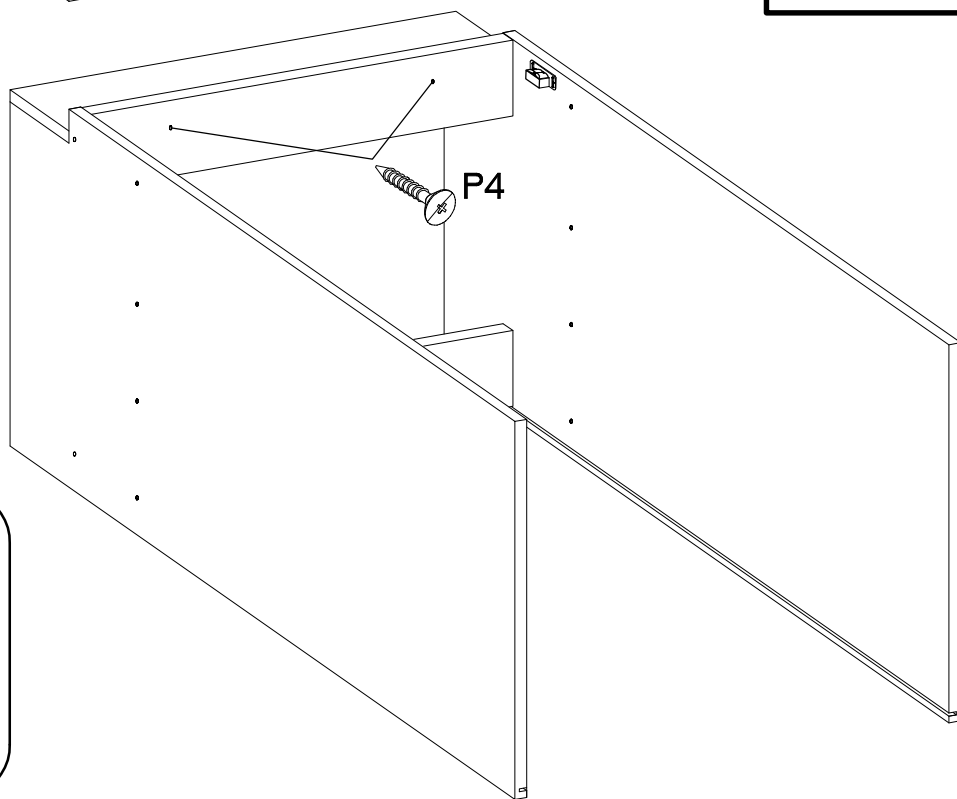
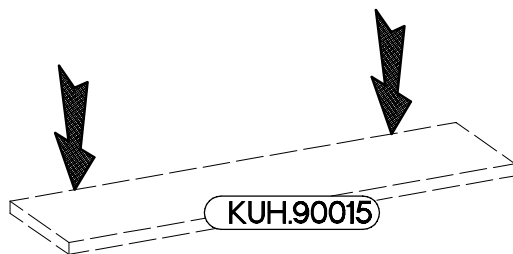
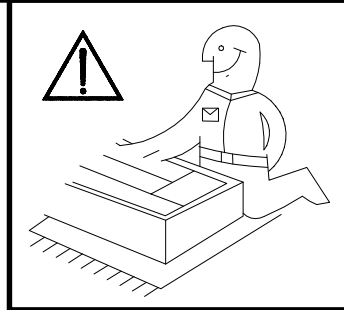
O

1

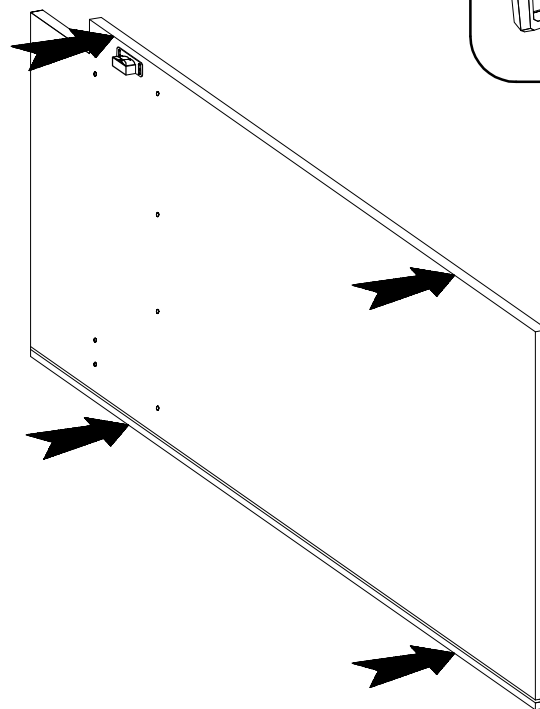
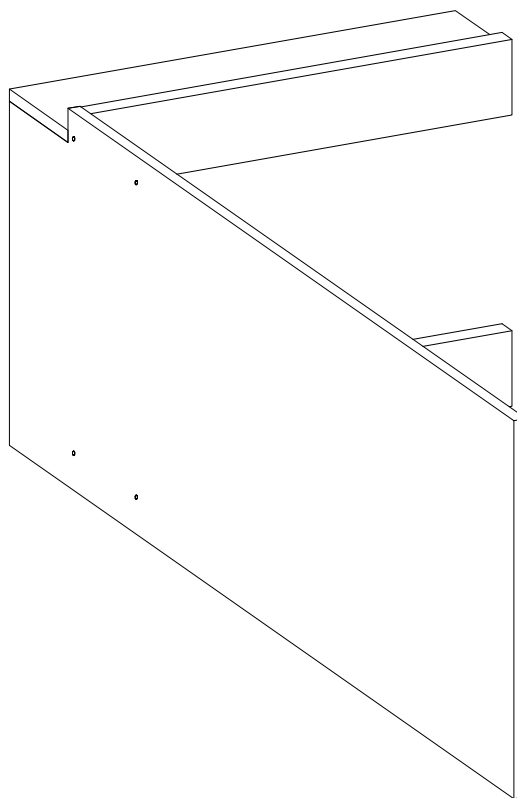
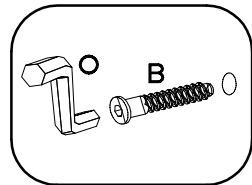


4

	$\pm 4.0 \times 45 \text{mm}$
E9	P4
2	2

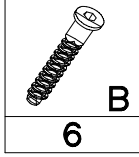


5



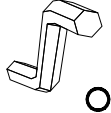
6

6,4 x 50mm



B

6



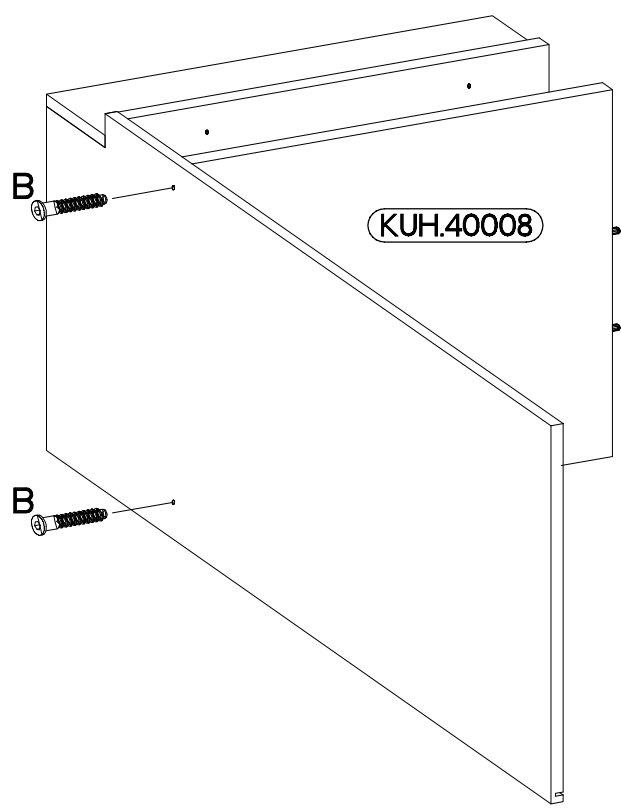
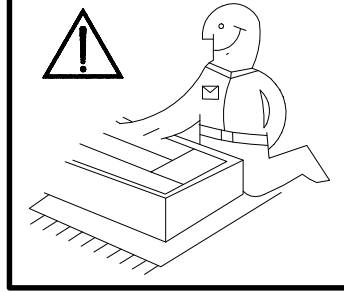
O

1

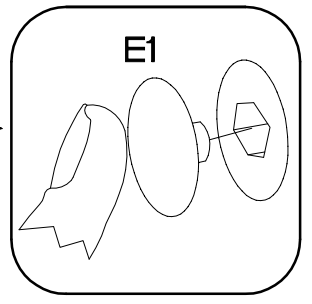
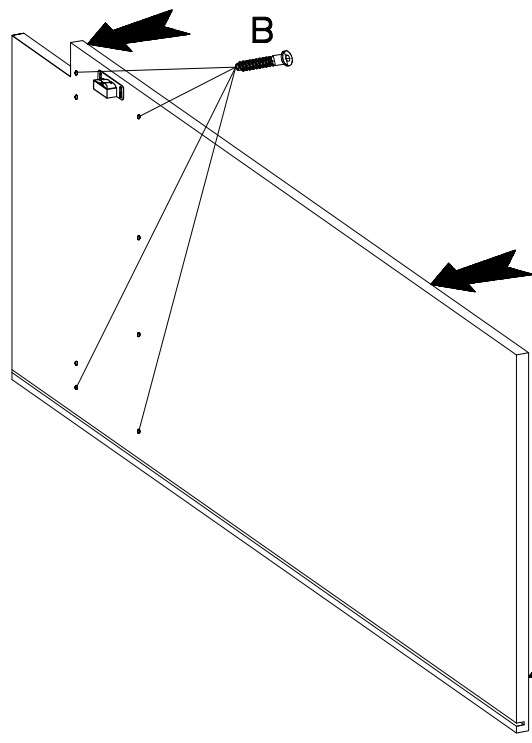


E1

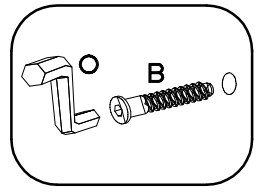
6



KUH.40008

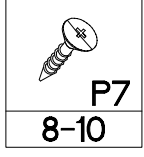


E1



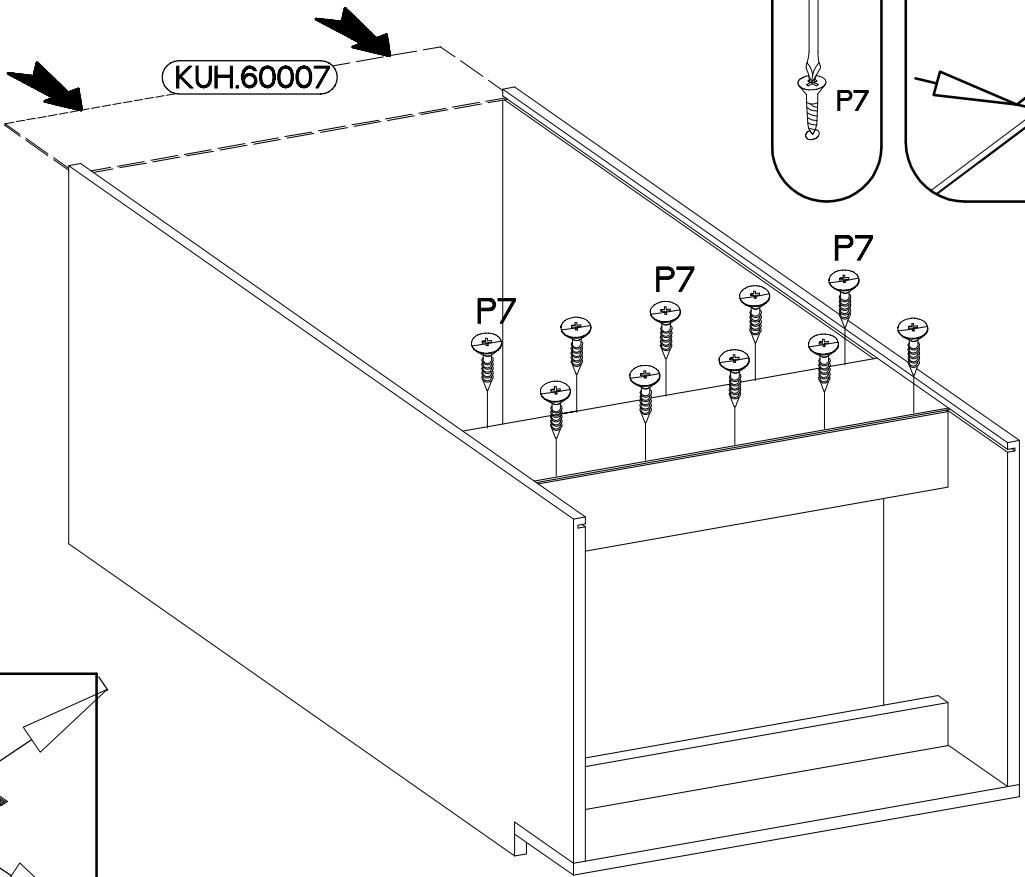
7

3.0x20mm

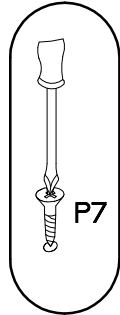


P7

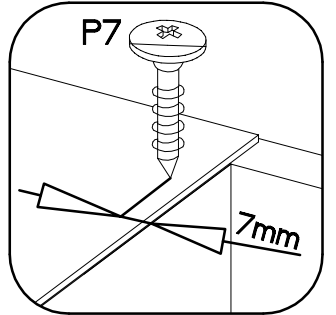
8-10



KUH.60007

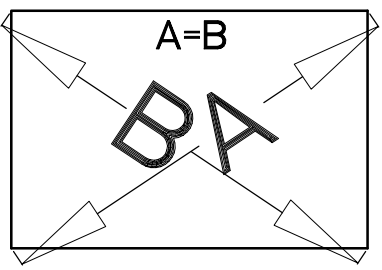


P7



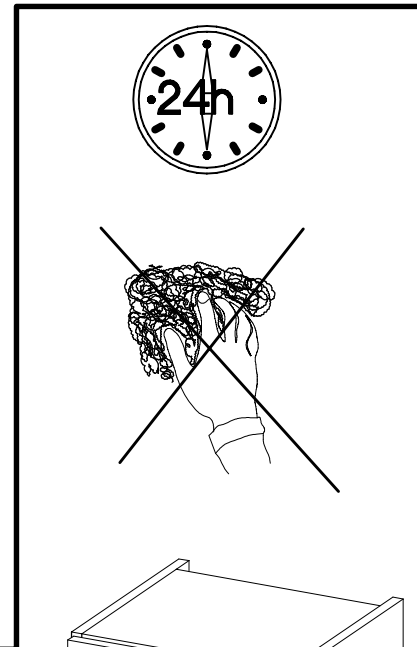
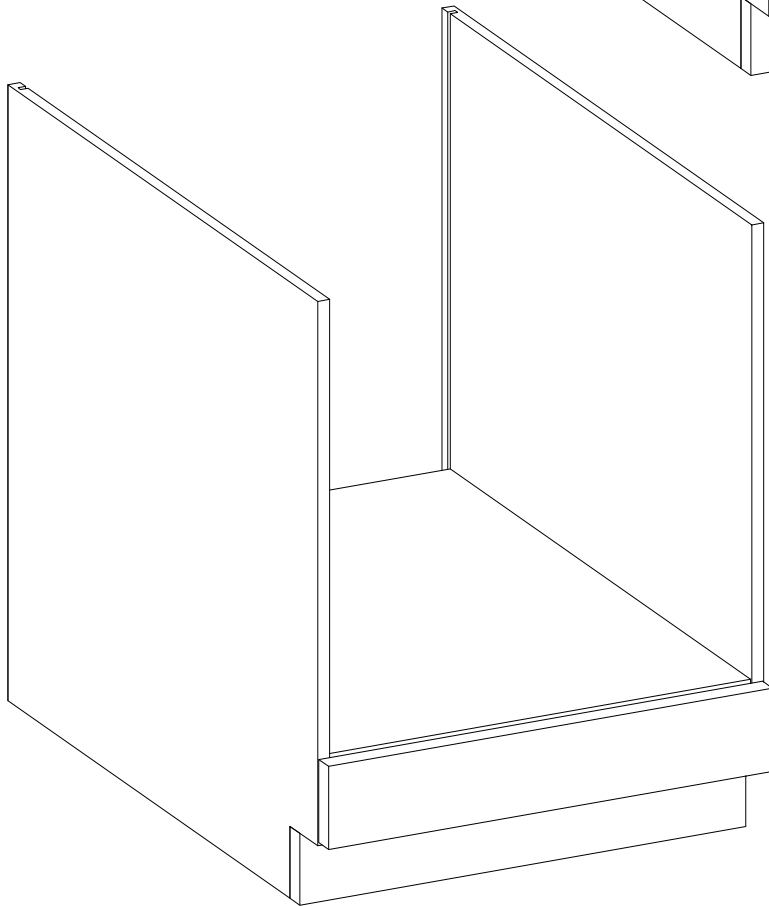
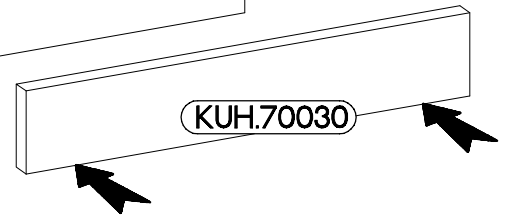
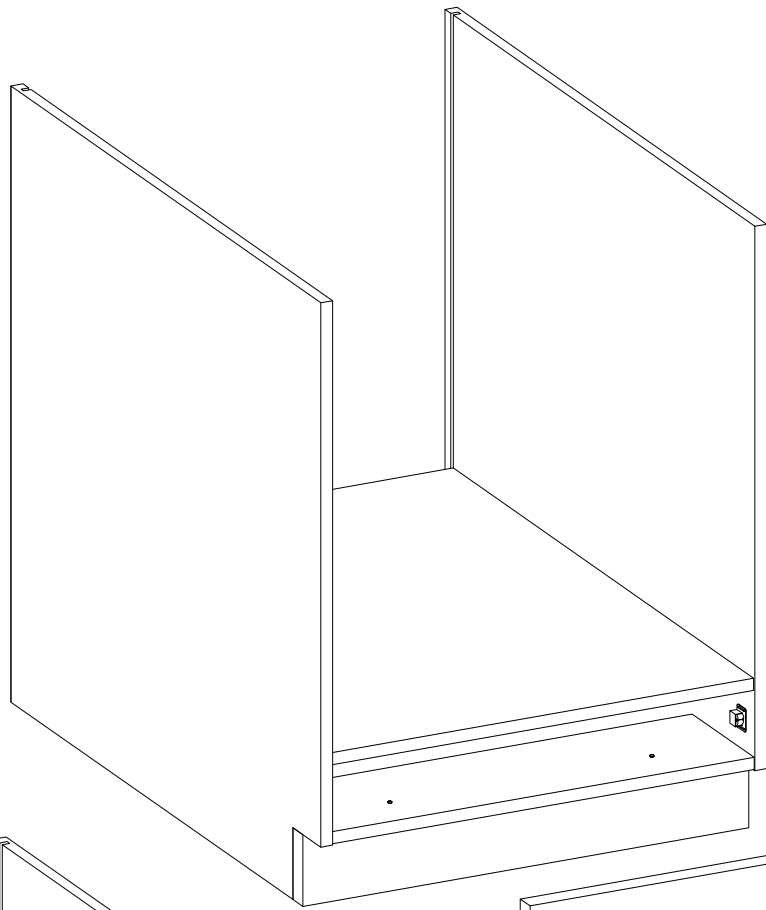
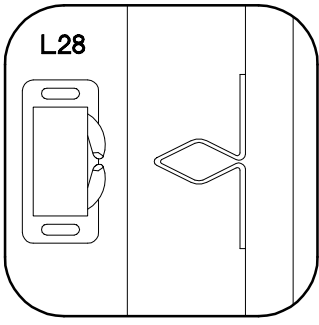
P7

7mm

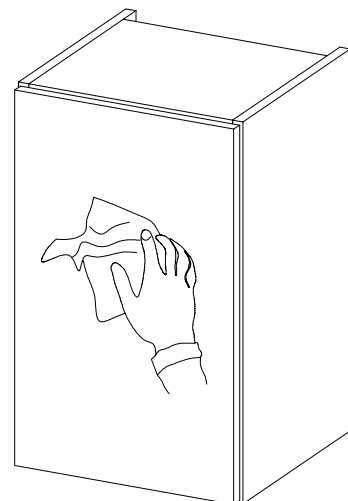
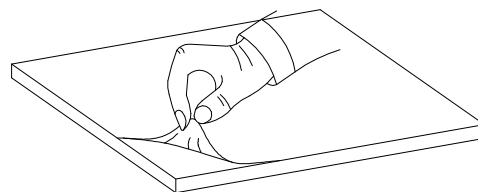
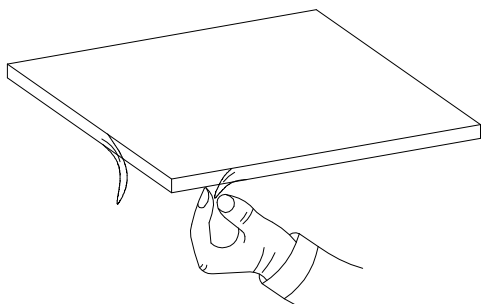


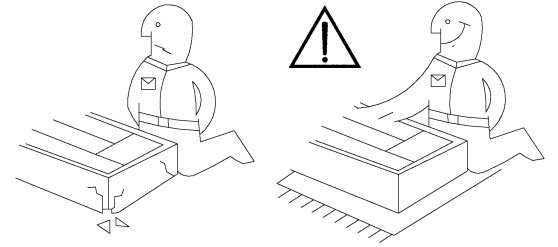
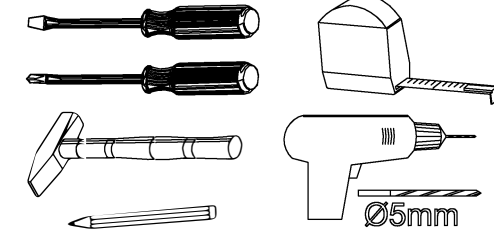
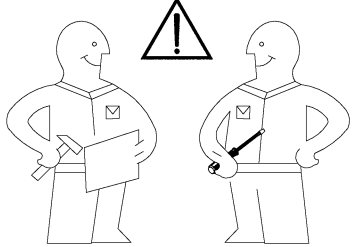
A=B

BA

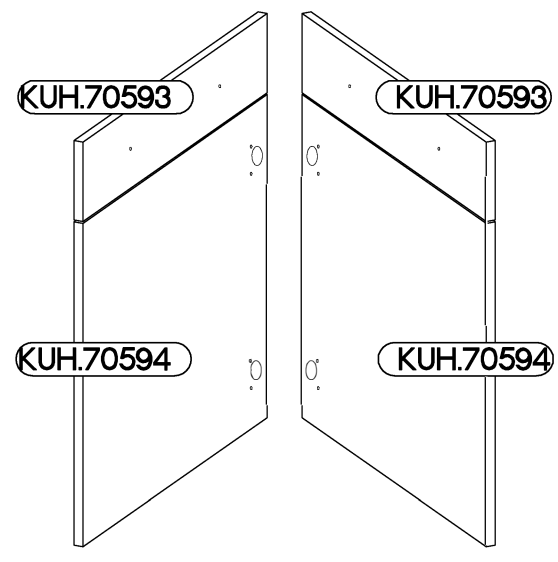
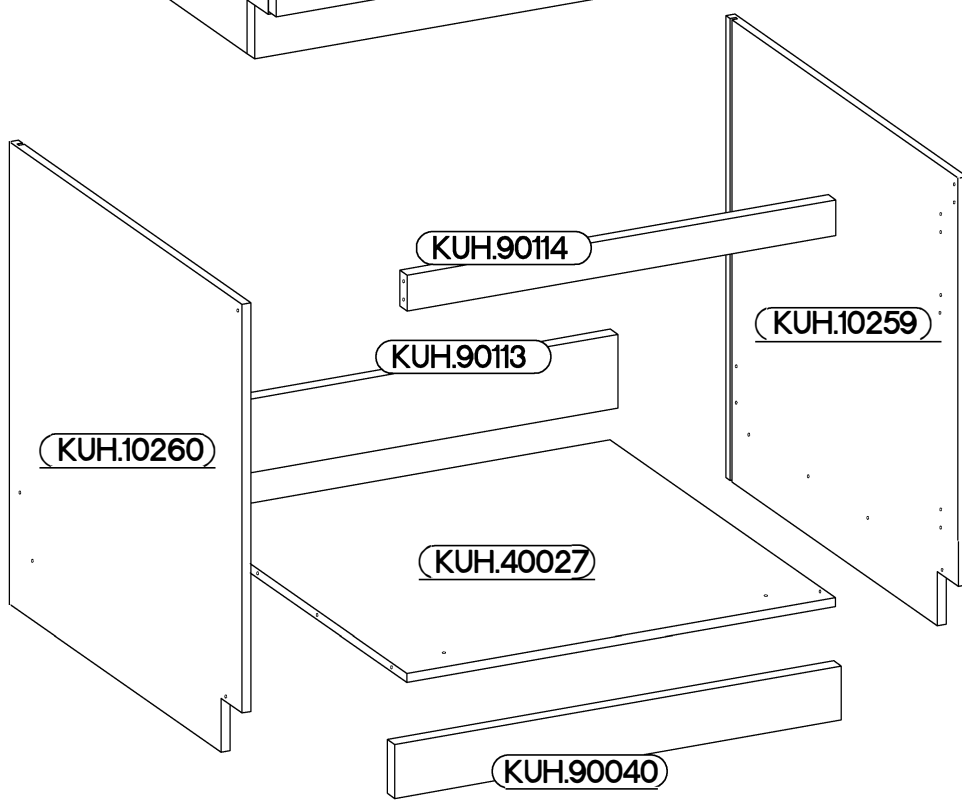
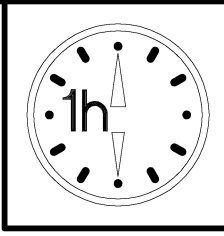
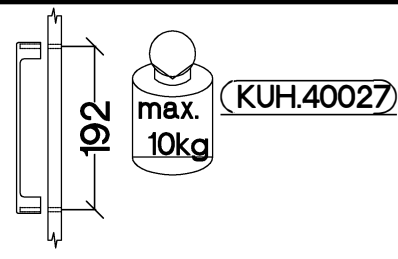
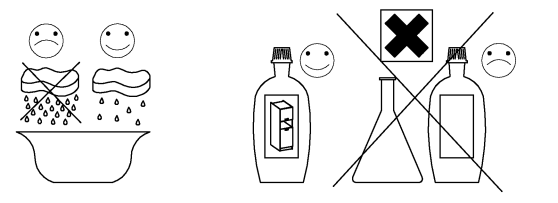
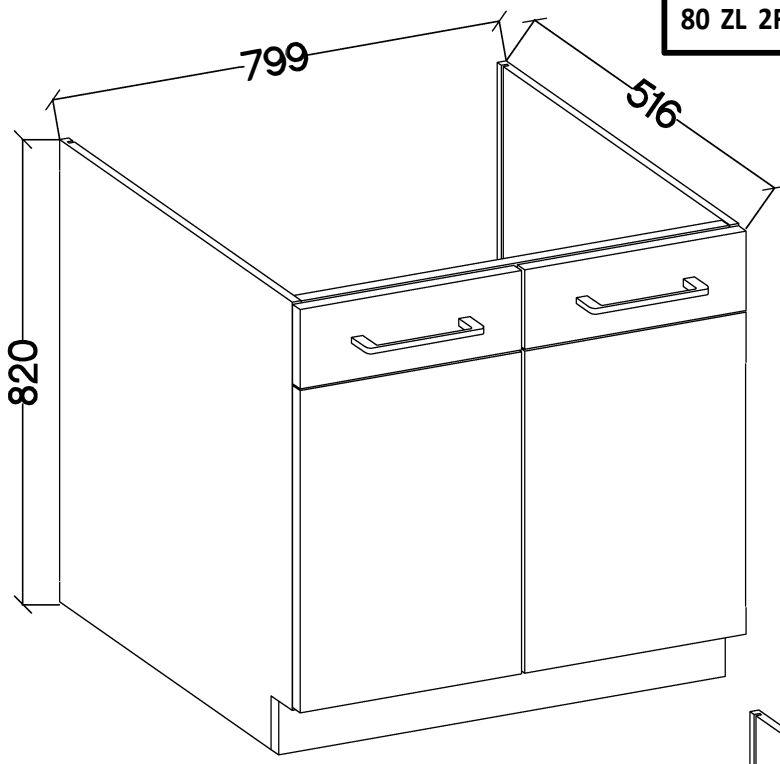


VARIANT HIGH GLOSS

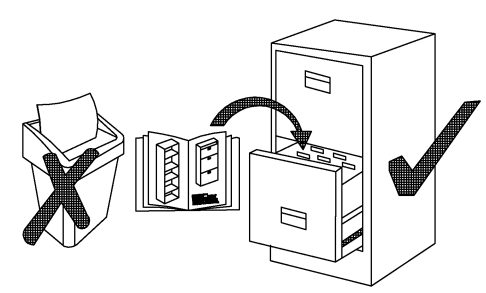




80 ZL 2F BB VIRION

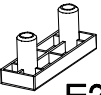
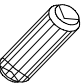


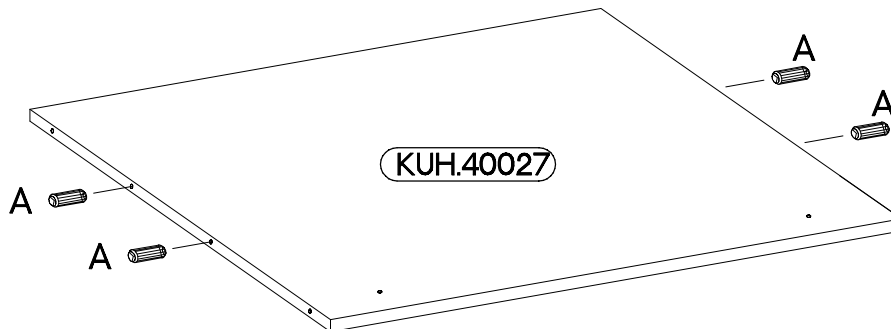
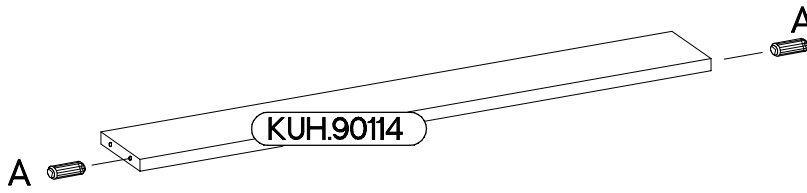
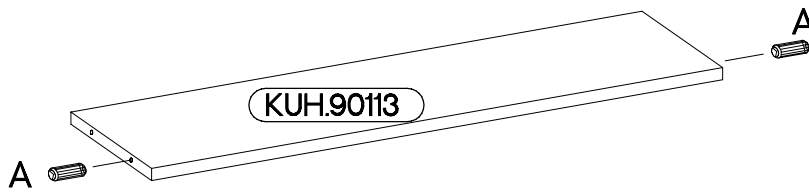
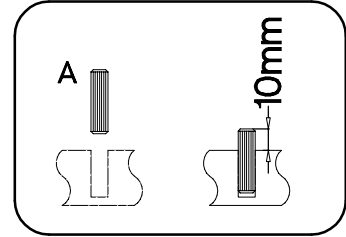
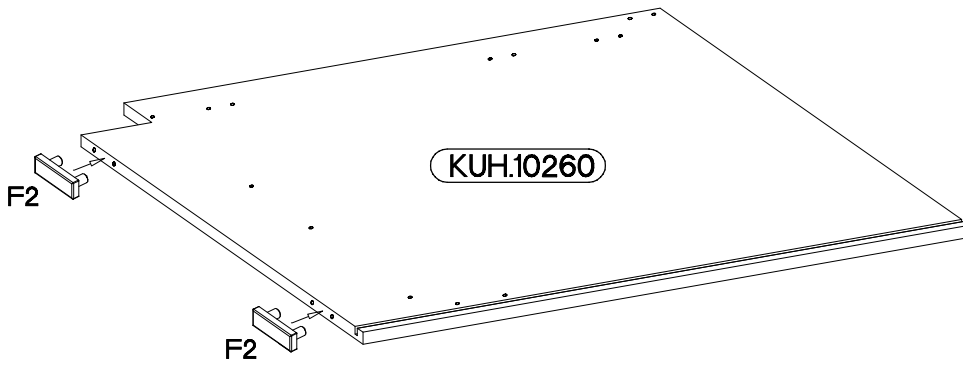
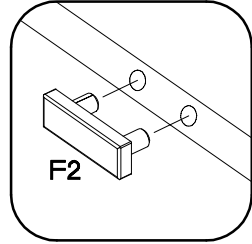
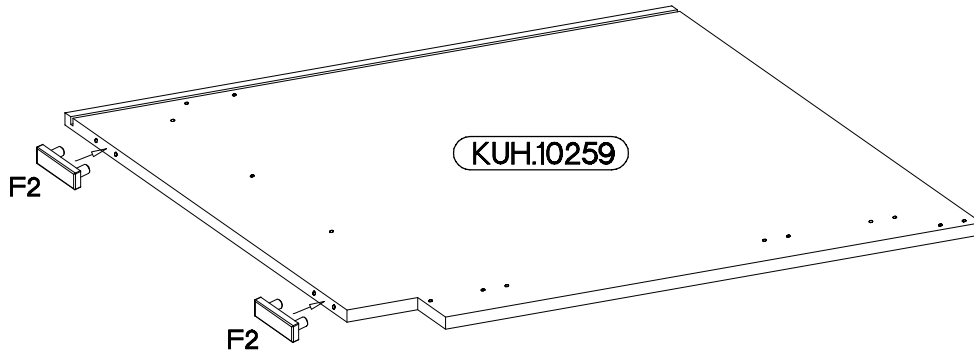
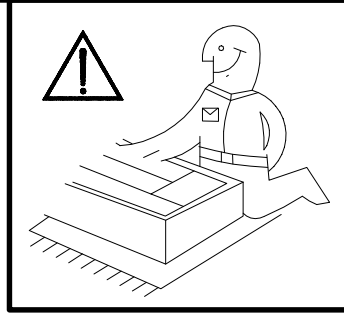
†8x30mm A	6,4 x 50mm B	E1	E9	6.5x48x16 F2	†35/0mm HG	K28
8	8	8	2	4	4	4
K29	O	†4.0x45mm P4	†3.5x13mm P5	†4.0x30mm R2	S15	
2	1	2	16	4	2	



ISM-KUH-00993

1

6.5x48x16  F2 4	+8x30mm  A 8
--	---



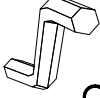
2

6,4 x 50mm



B

4



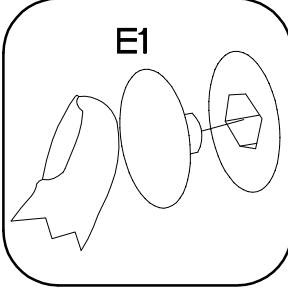
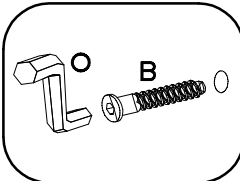
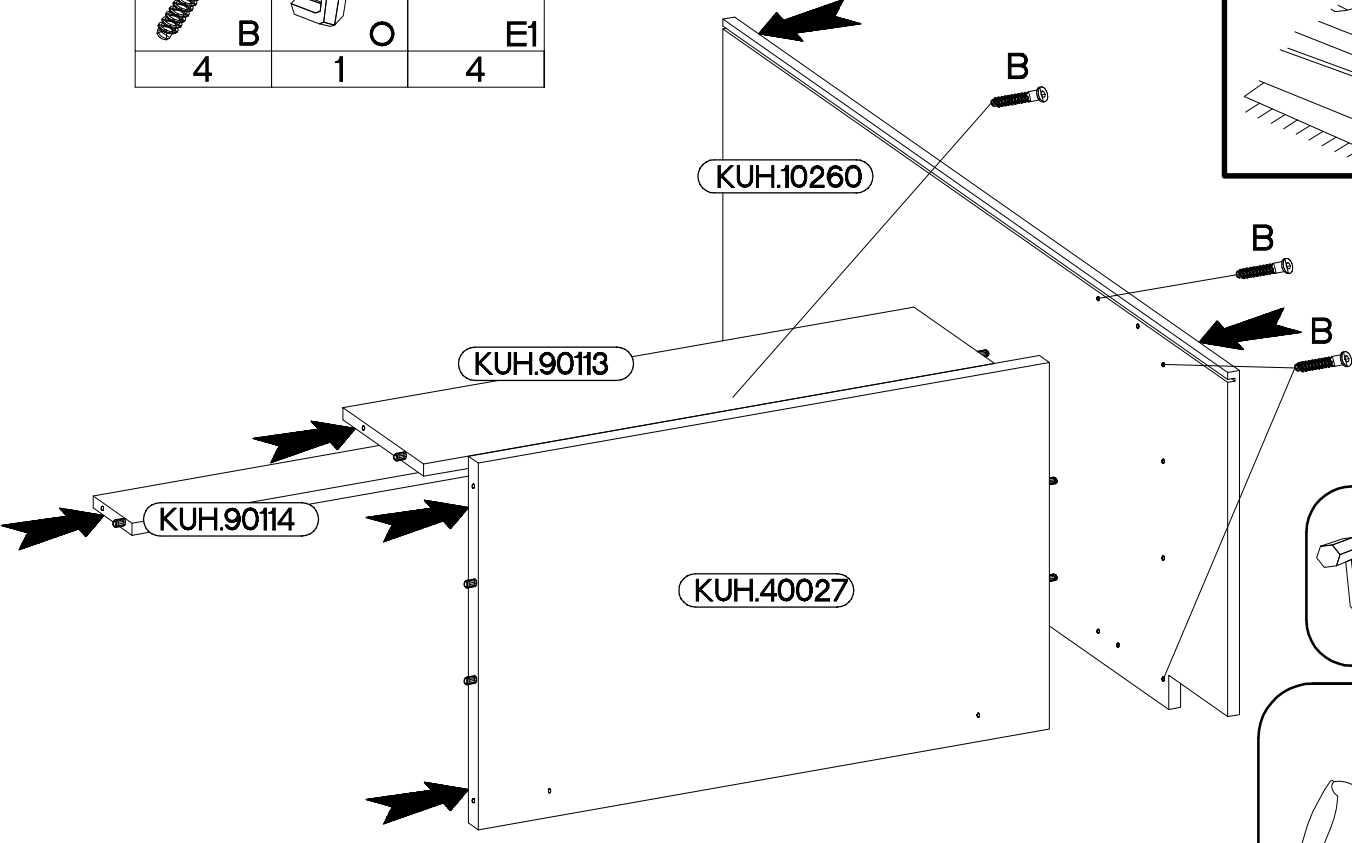
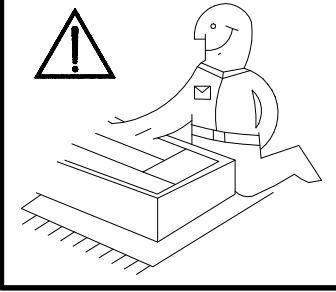
O

1



E1

4



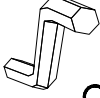
3

6,4 x 50mm



B

4



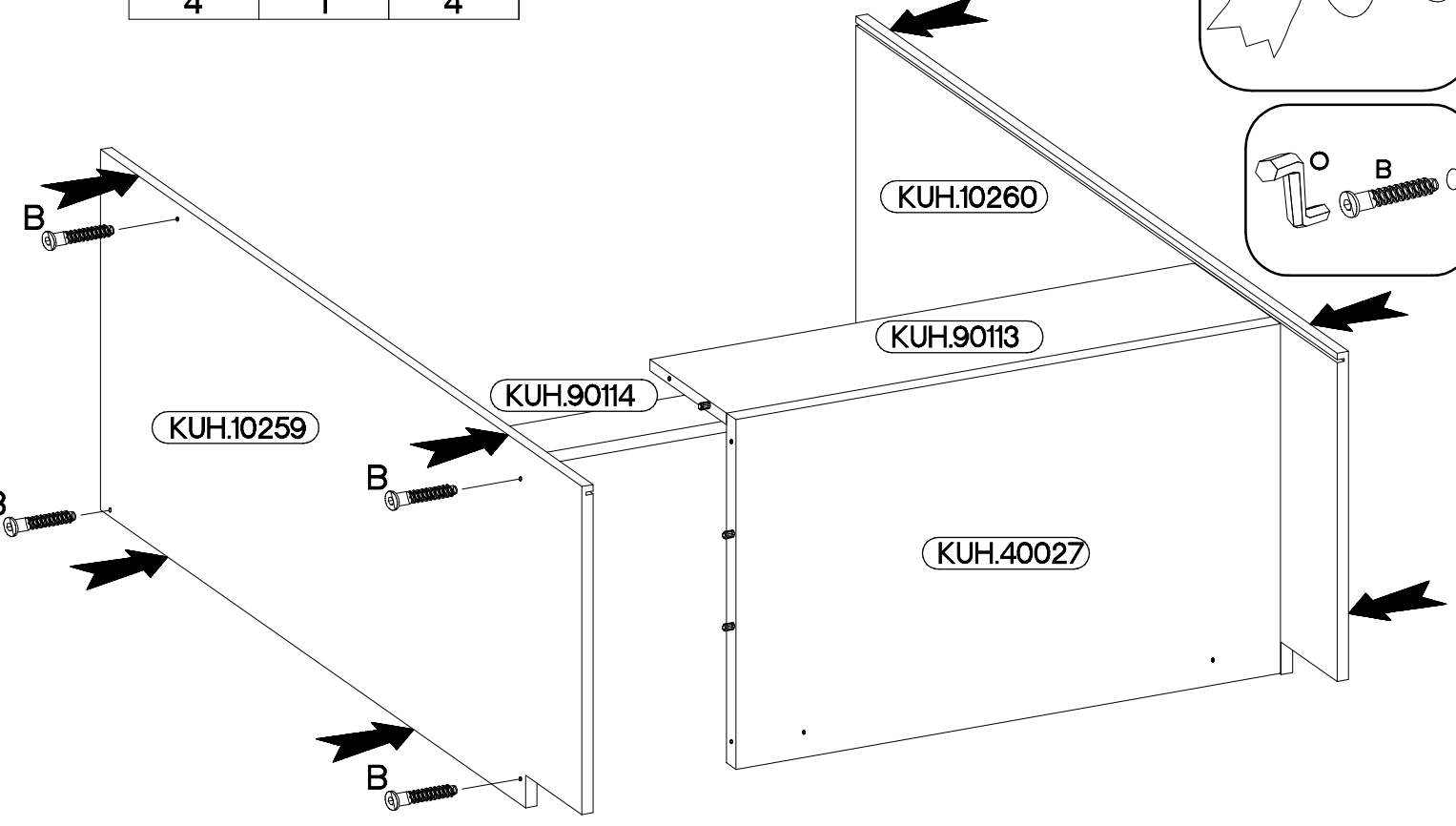
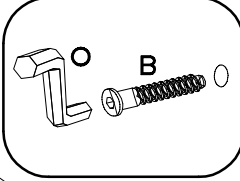
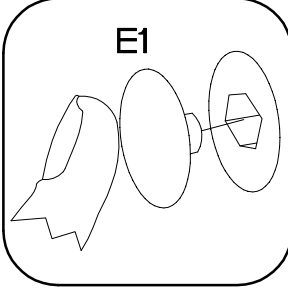
O

1



E1

4



4

4.0x45mm



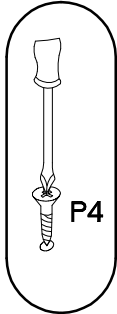
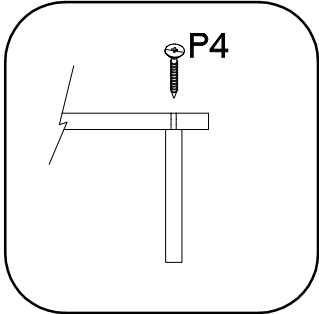
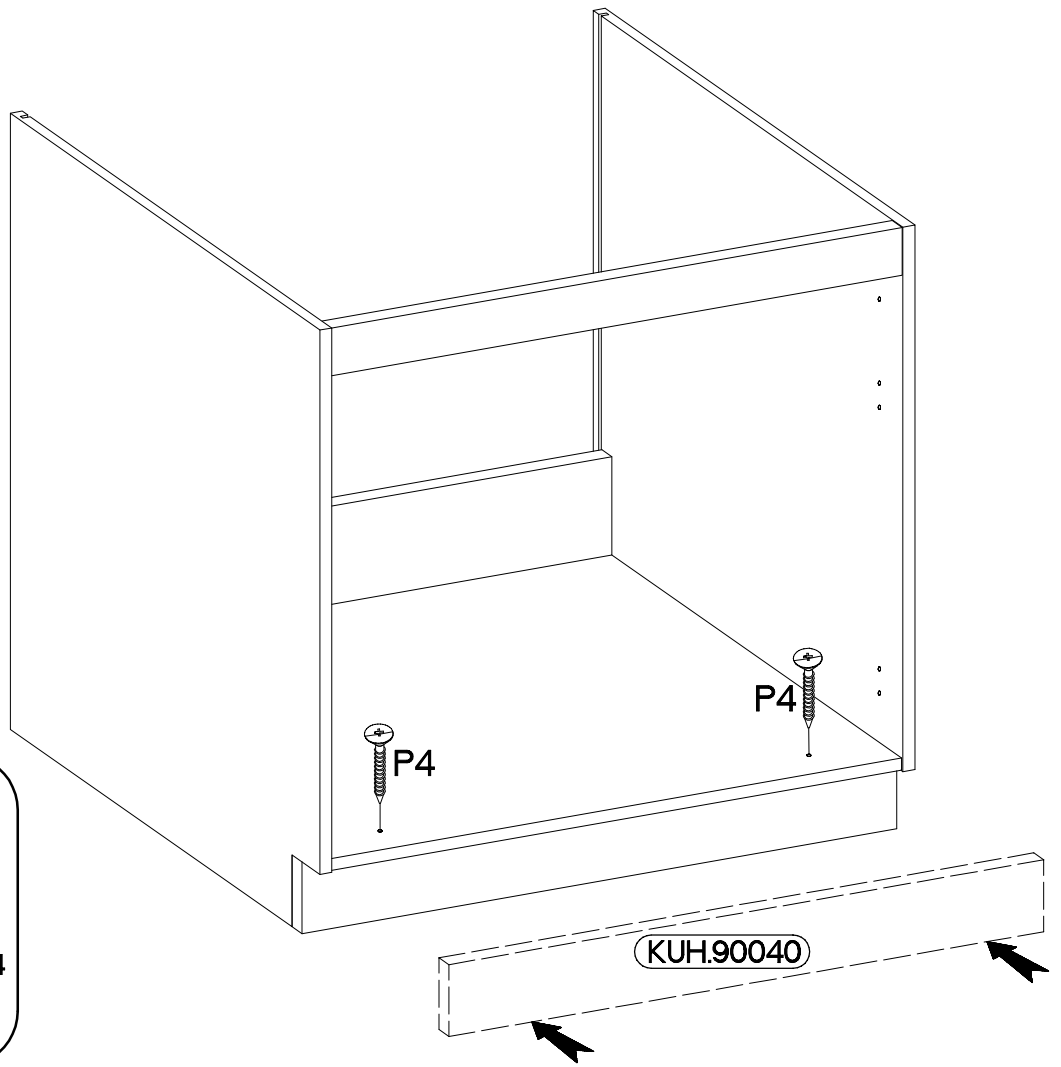
P4

2

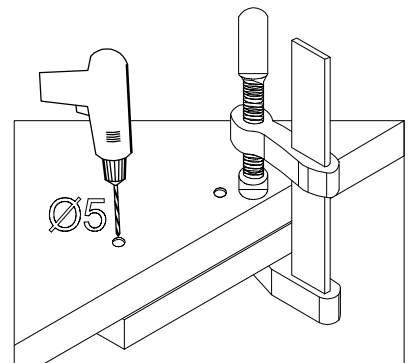
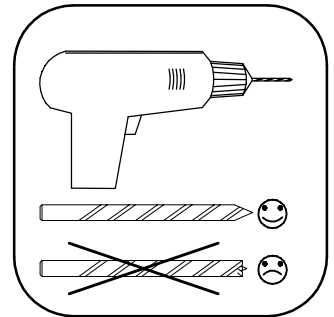
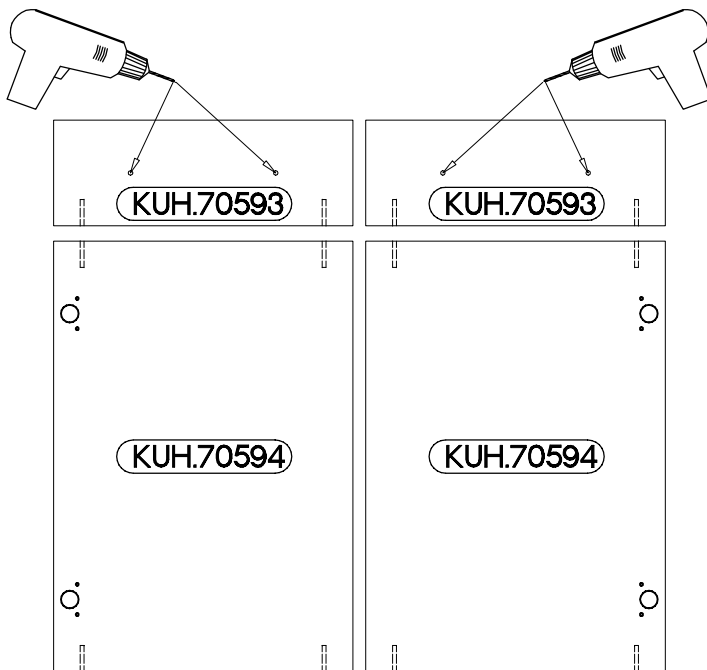


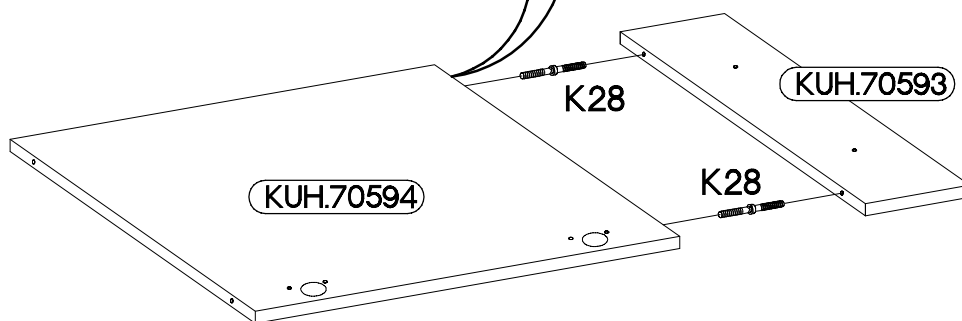
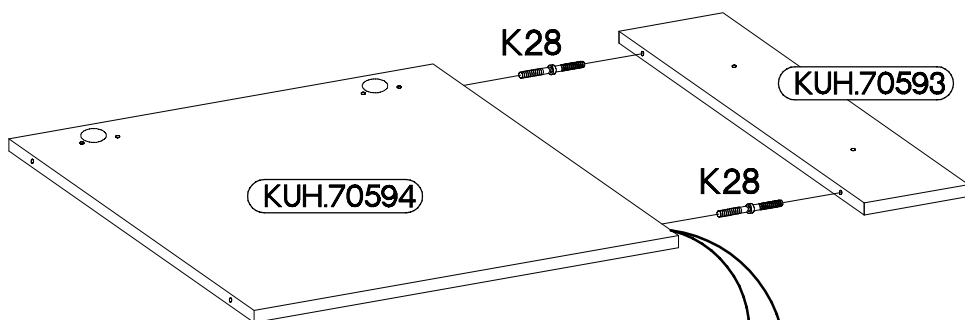
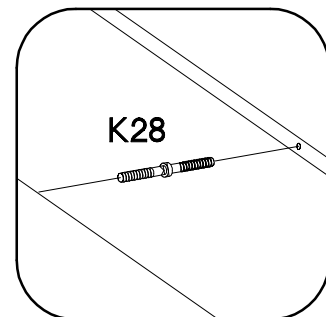
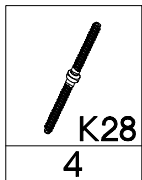
E9

2

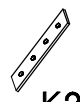



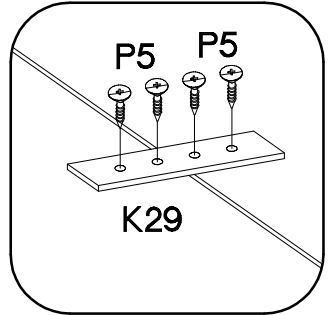
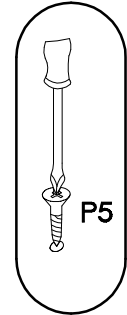
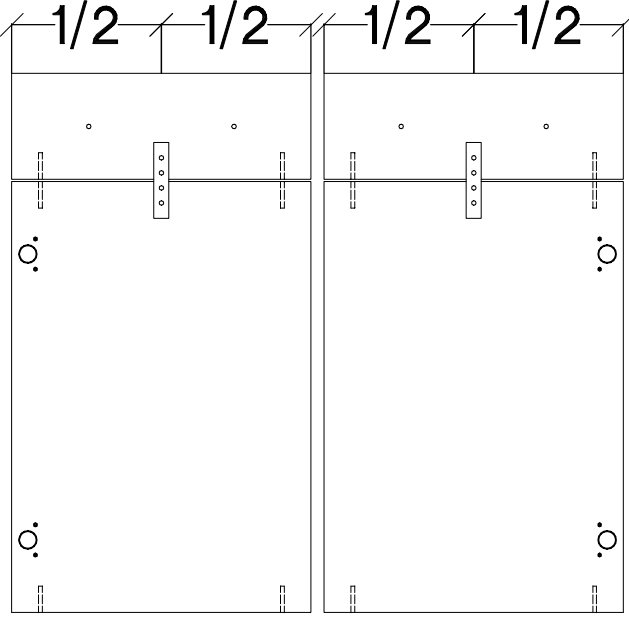
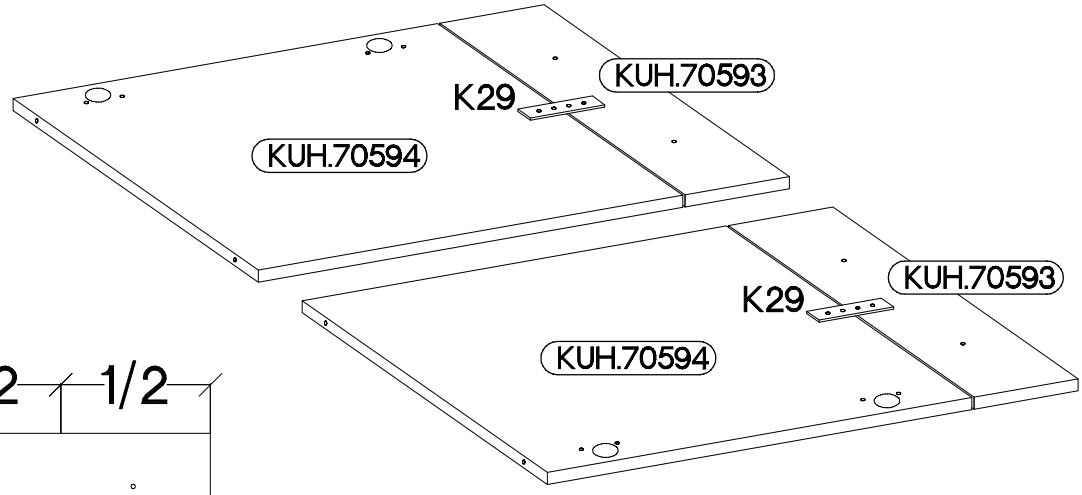
5







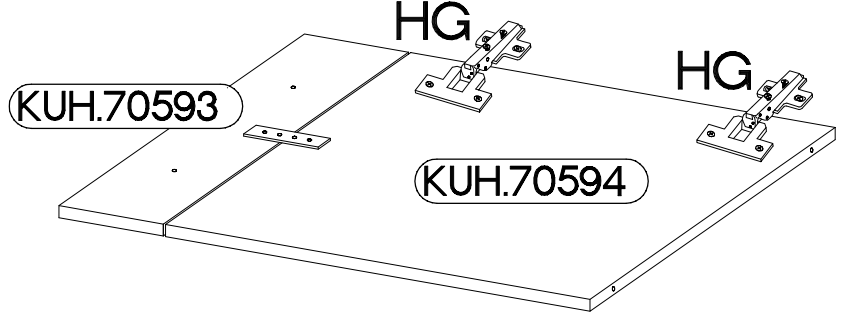
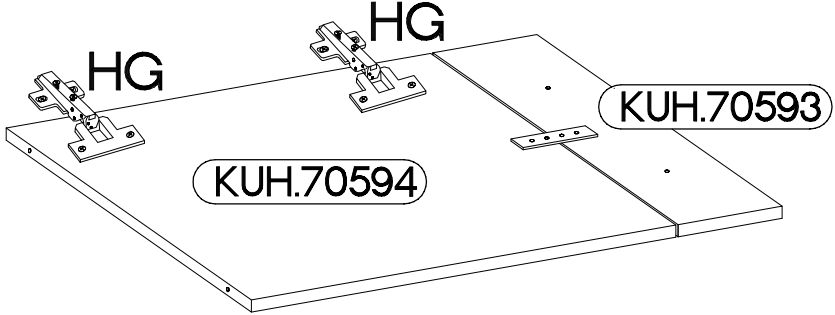
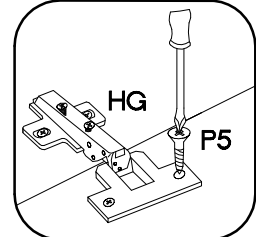
7

	±3.5x13mm 
K29	P5
2	8



8

±35/0mm 	±3.5x13mm 
HG	P5
4	8

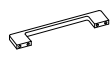


4.0x30mm



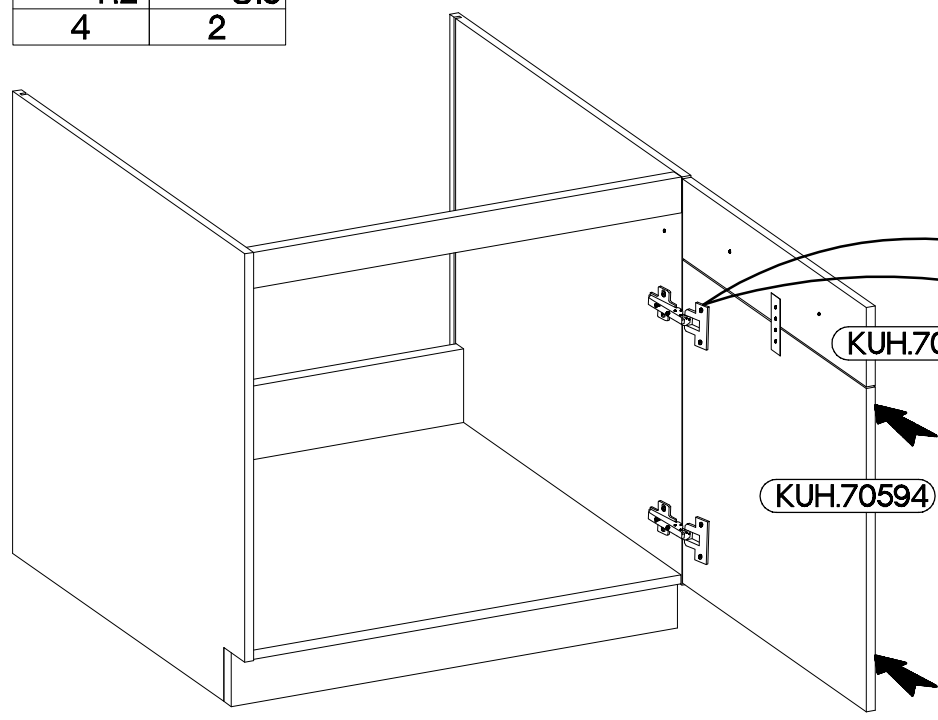
R2

4



S15

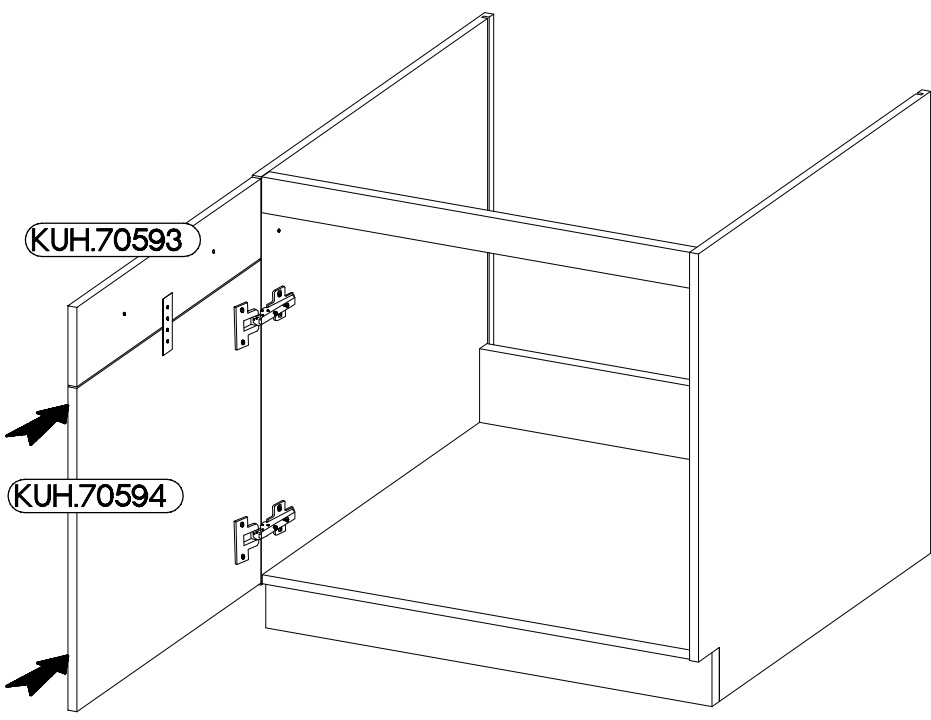
2



KUH.70593

KUH.70594

HG



KUH.70593

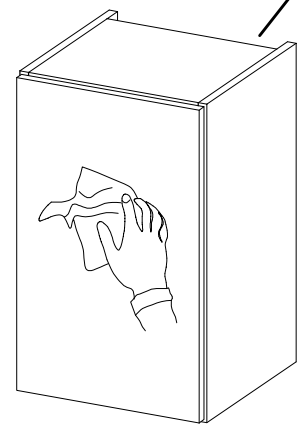
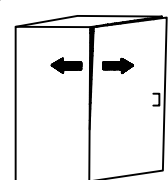
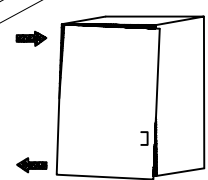
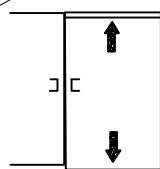
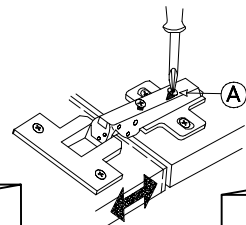
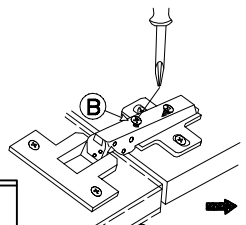
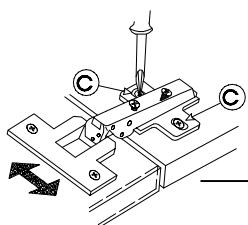
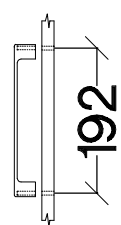
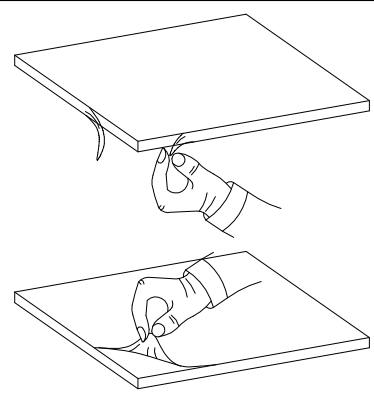
KUH.70594

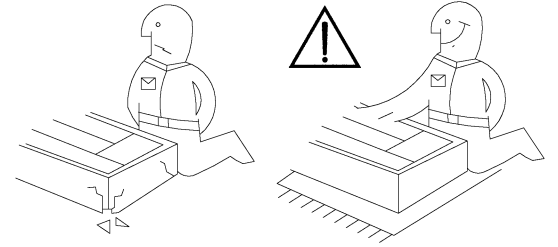
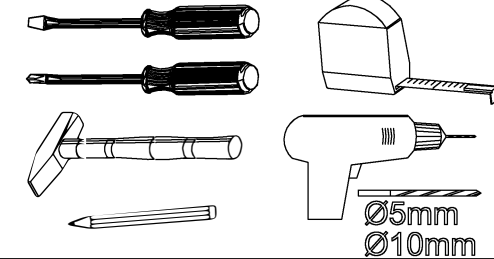
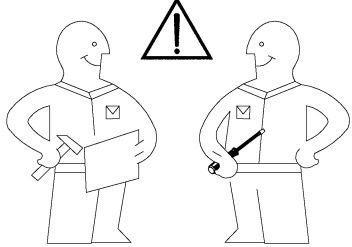
R2

R2

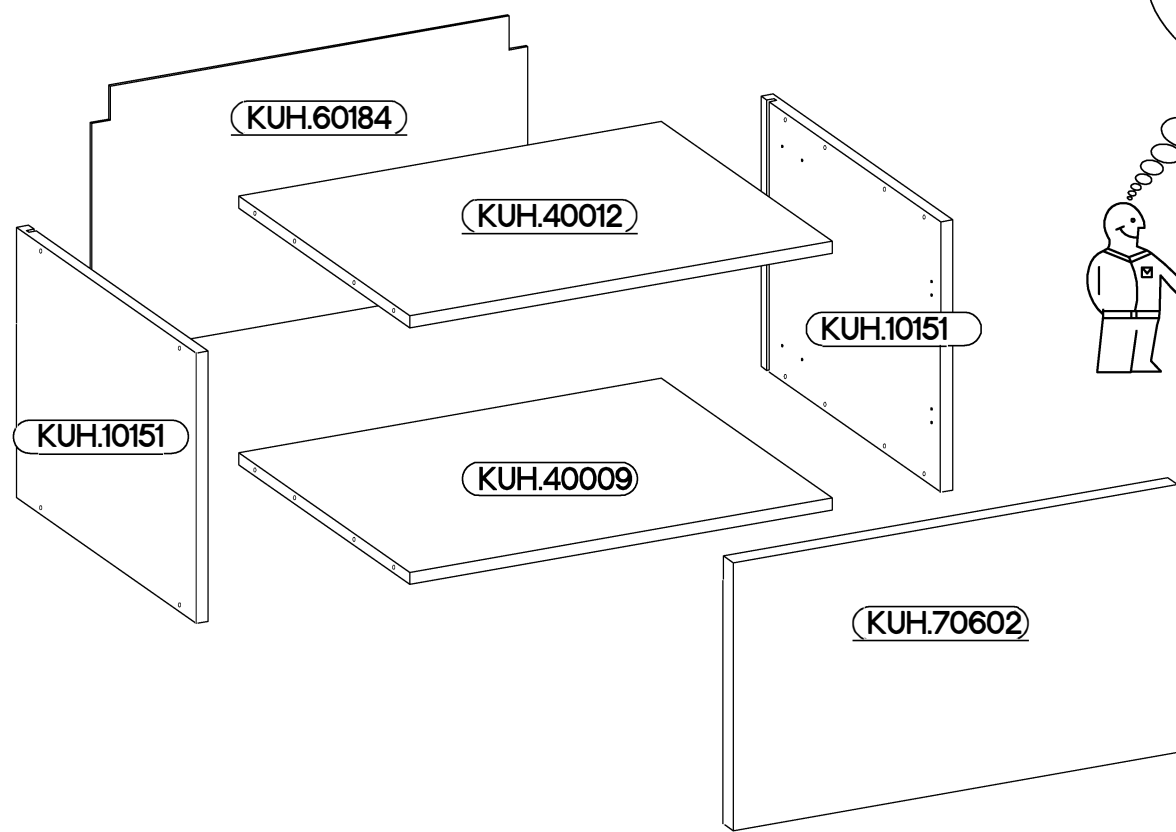
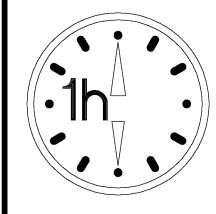
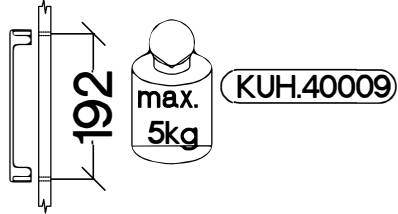
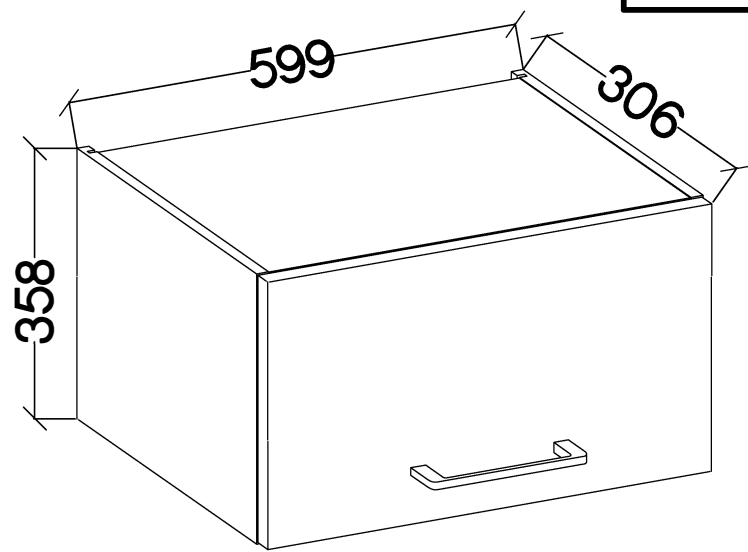
S15

VARIANT HIGH GLOSS

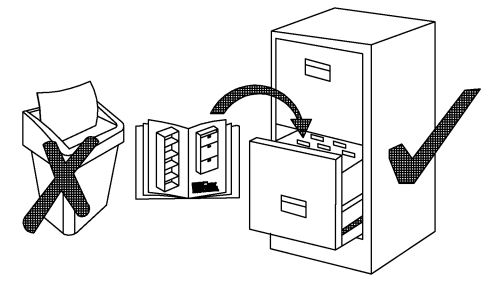


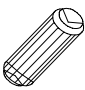
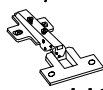


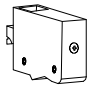


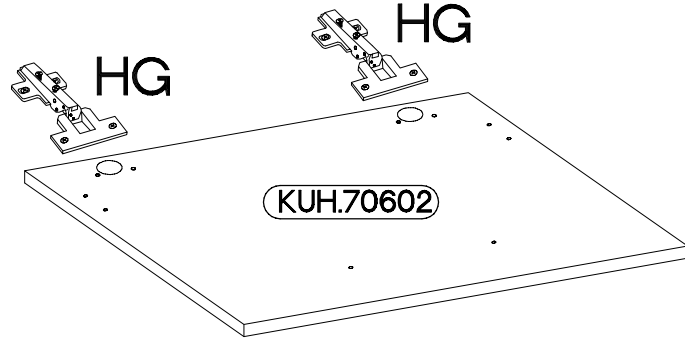
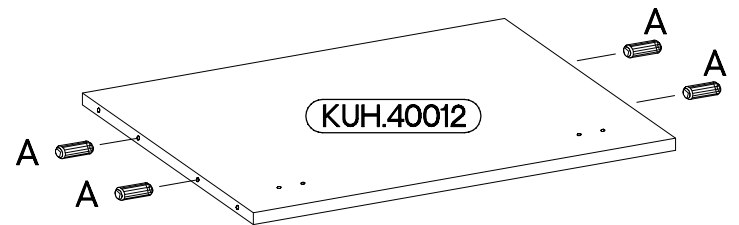
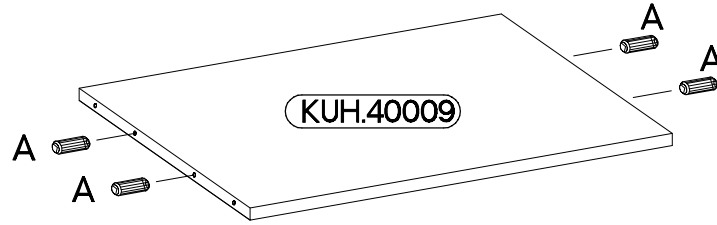
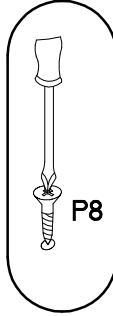
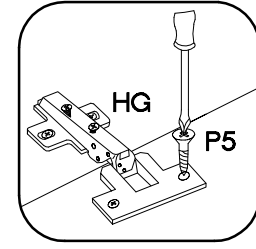
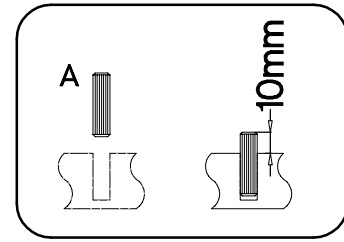
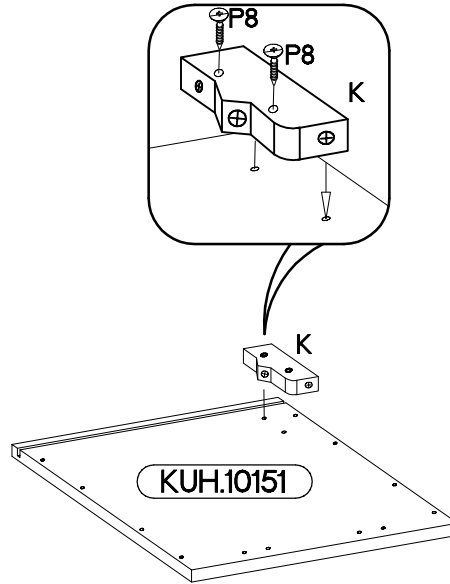
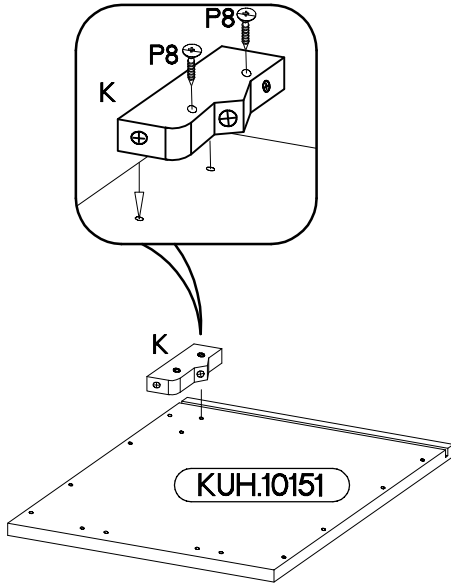
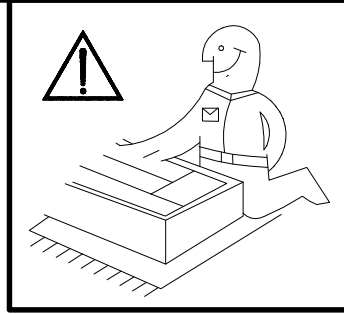
60 GU-36 VIRION



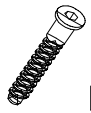
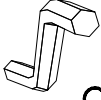

<p>8x30mm A</p>	<p>6,4 x 50mm B</p>	<p>E1</p>	<p>†35/0mm HG</p>	<p>K</p>	<p>K24</p>
8	8	8	2	2	2
<p>O</p>	<p>†3.5x13mm P5</p>	<p>†3.0x20mm P7</p>	<p>†4.0x30mm P8</p>	<p>†4.0x30mm R2</p>	<p>S15</p>
1	4	8-10	4	2	1

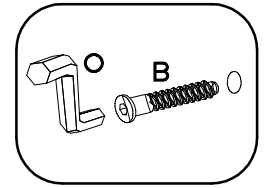
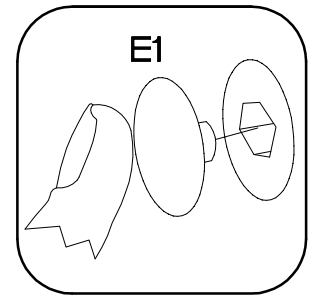
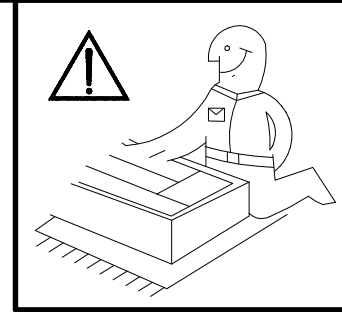
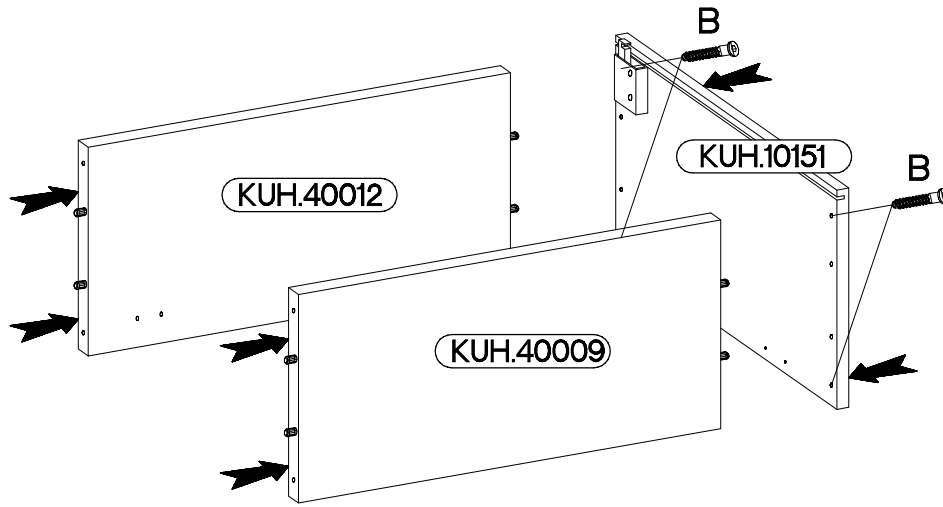


±8x30mm  A 8	±35/0mm  HG 2	±3.5x13mm  P5 4	±4.0x30mm  P8 4	 K 2
---	--	--	--	--


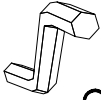



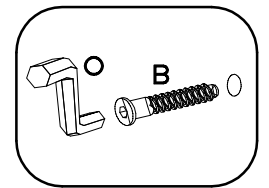
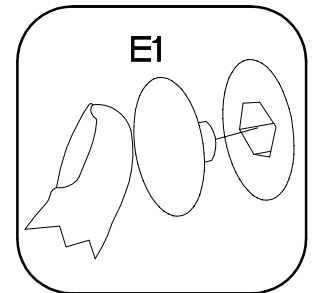
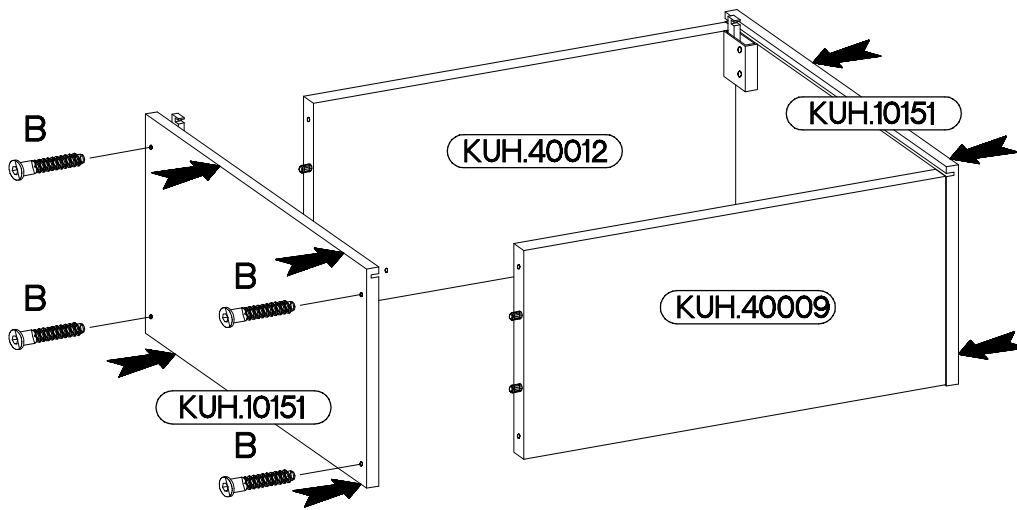
2

6,4 x 50mm		
		
B	O	E1
4	1	4

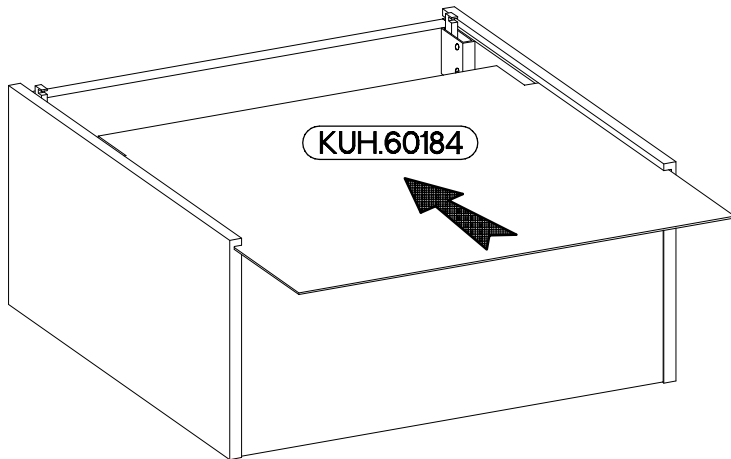
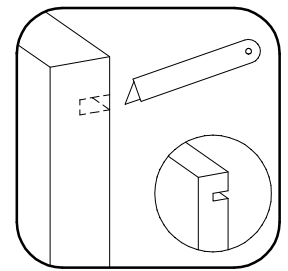
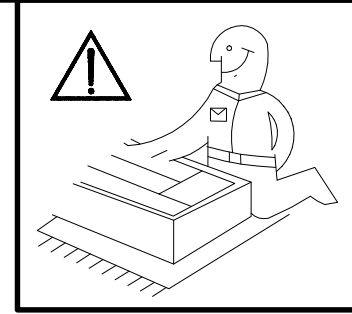
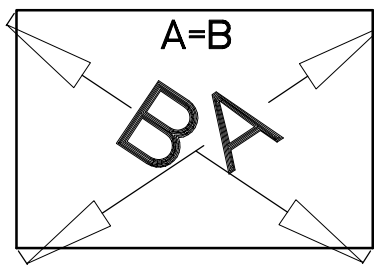


3

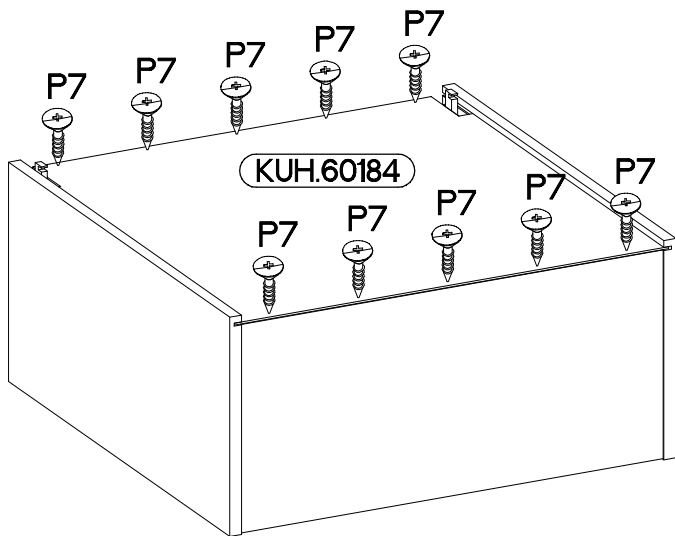
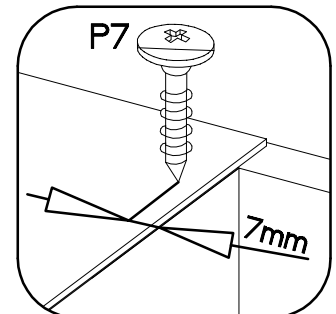
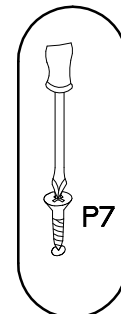
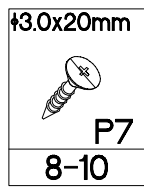
6,4 x 50mm		
		
B	O	E1
4	1	4



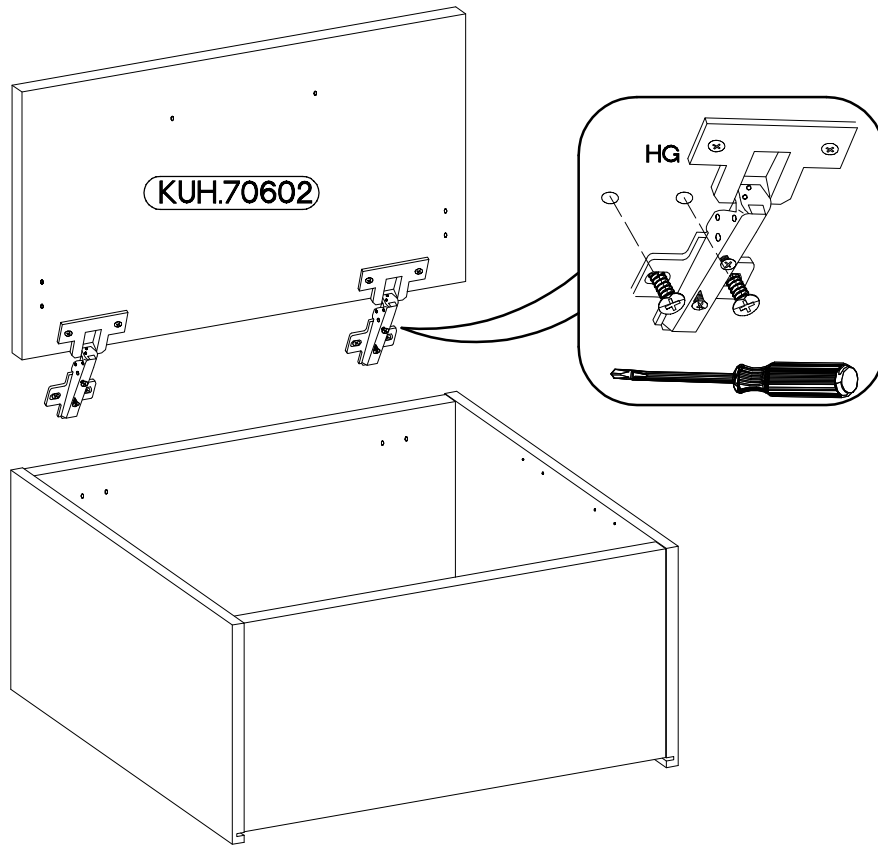
4



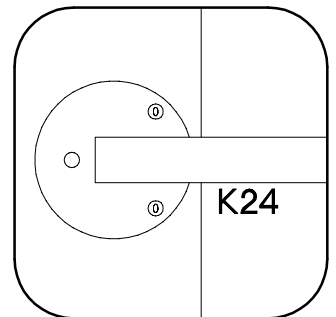
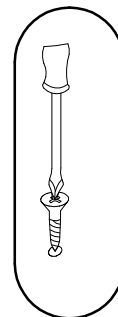
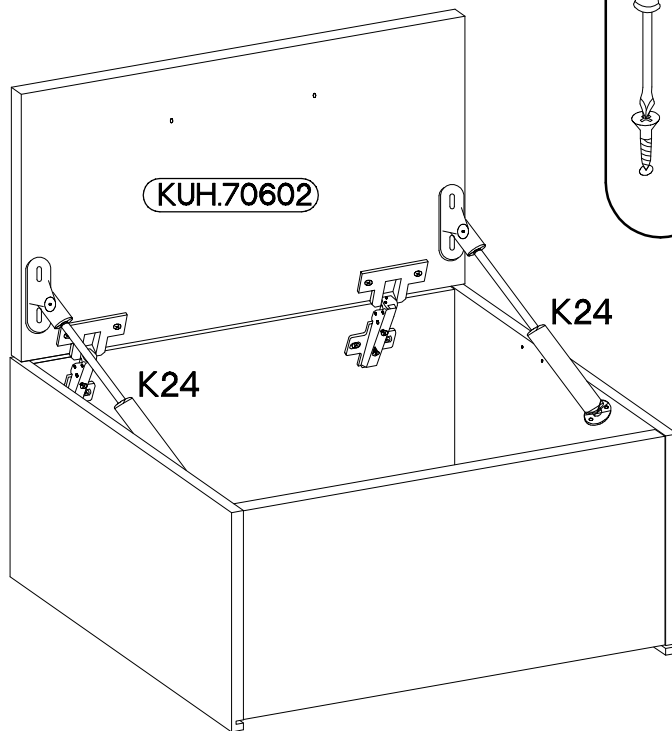
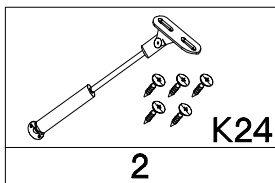
5



6



7

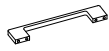


+4.0x30mm



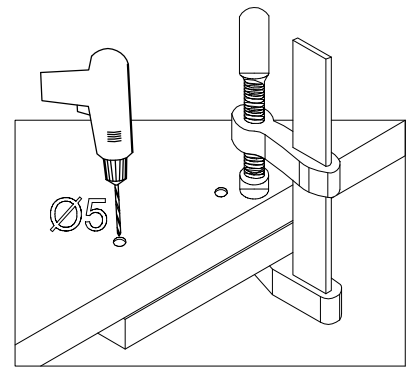
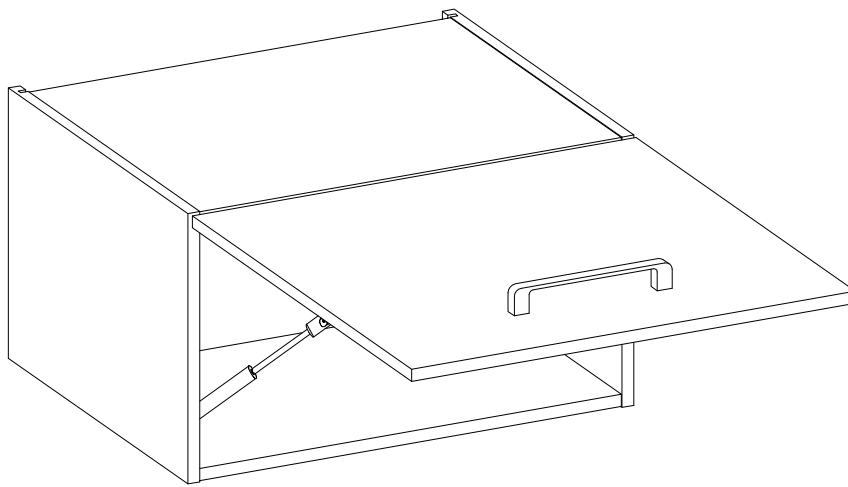
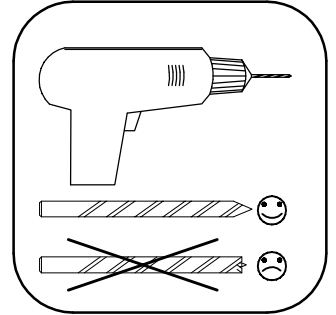
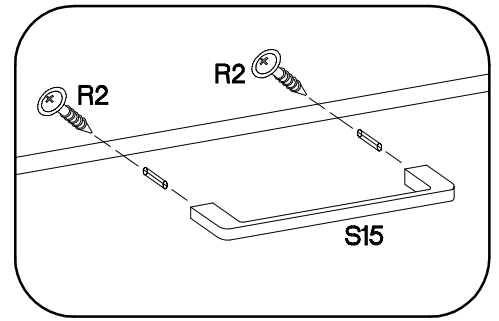
R2

2

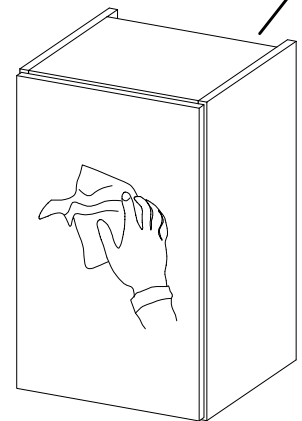
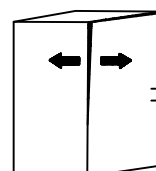
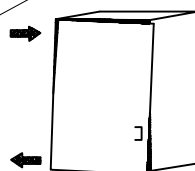
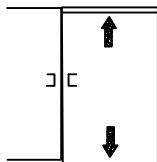
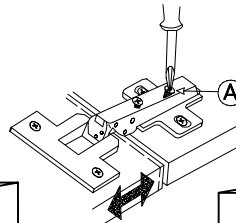
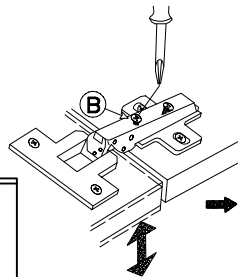
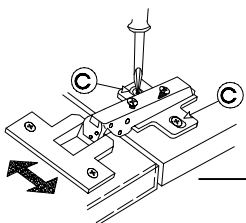
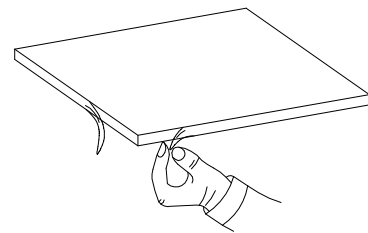


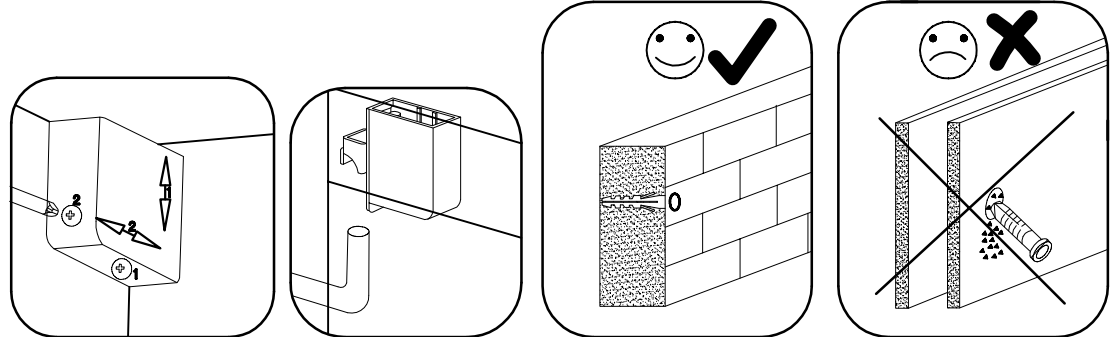
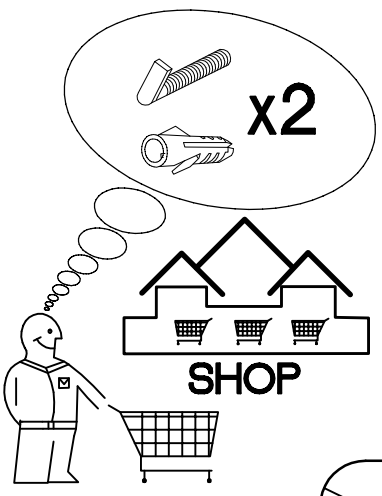
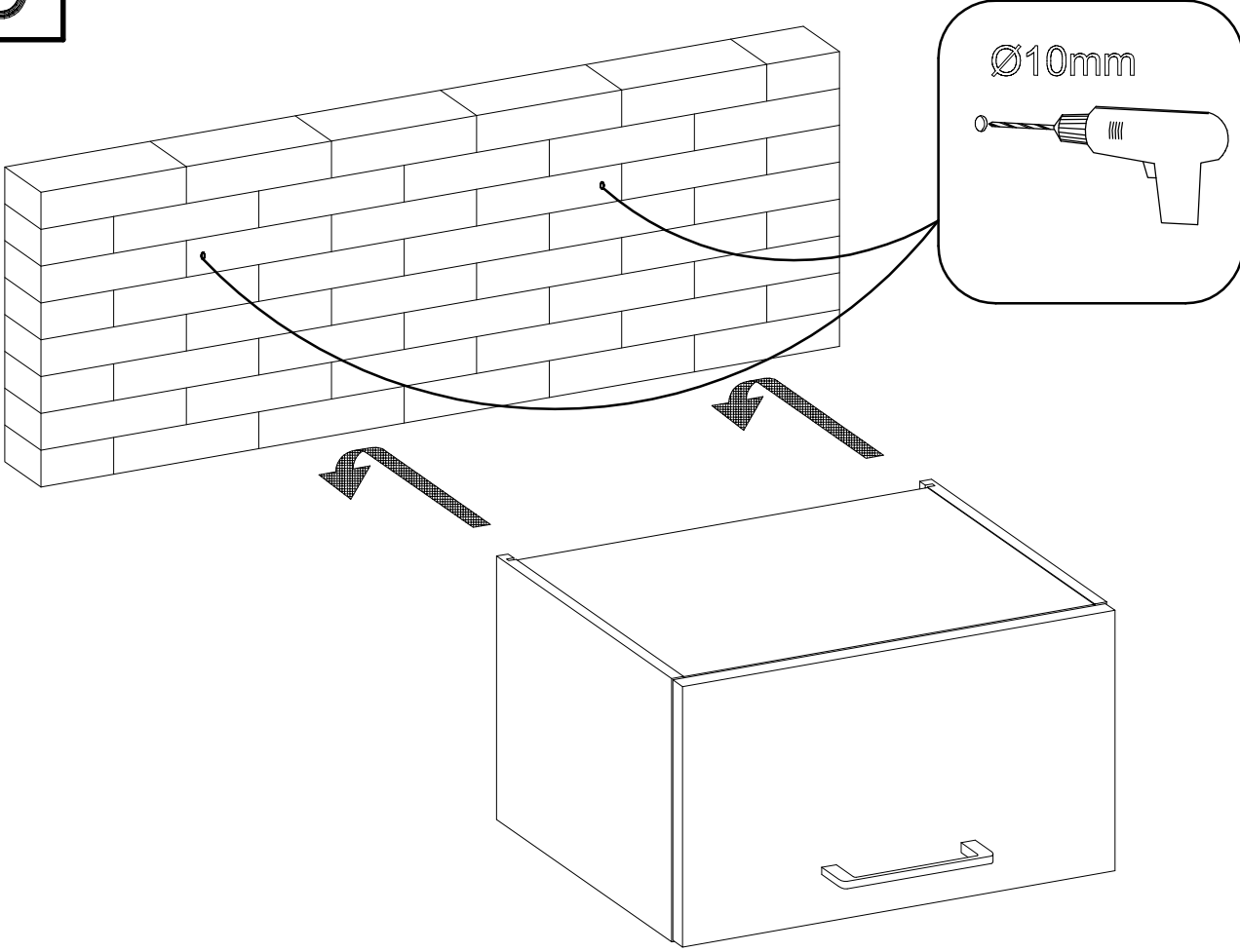
S15

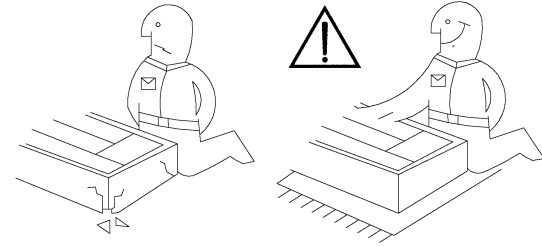
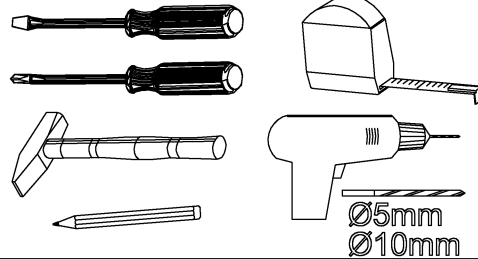
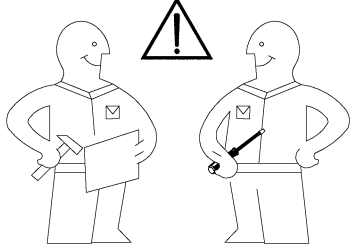
1



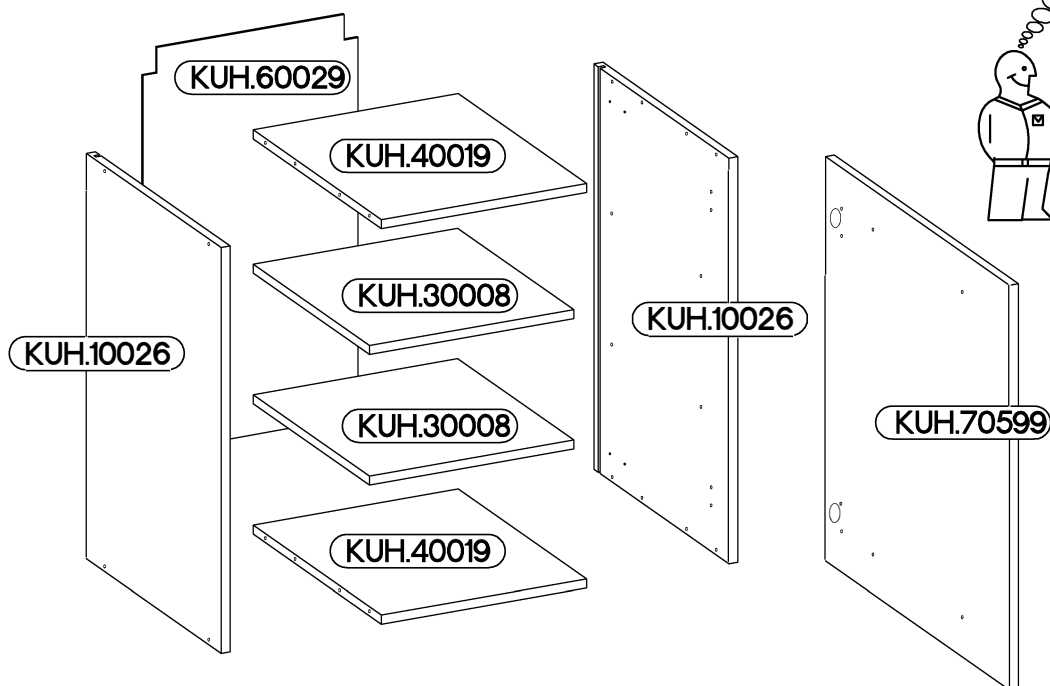
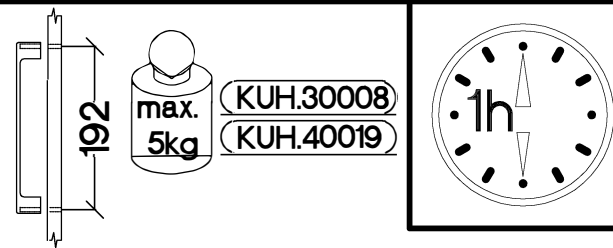
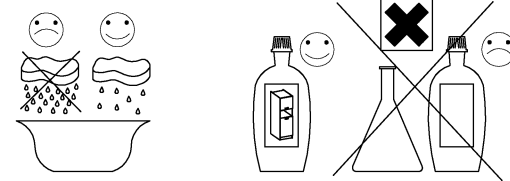
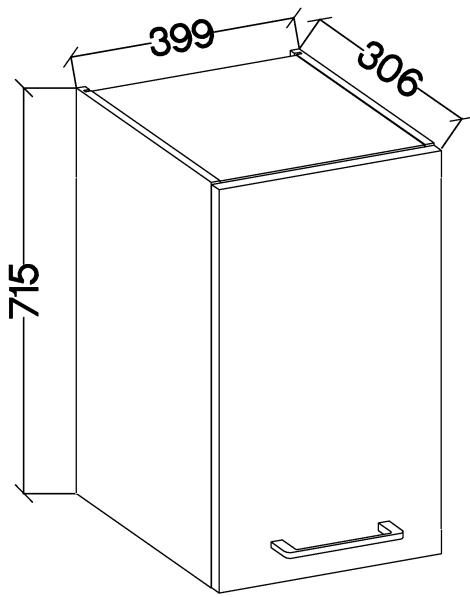
VARIANT HIGH GLOSS




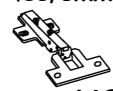

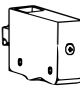
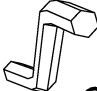







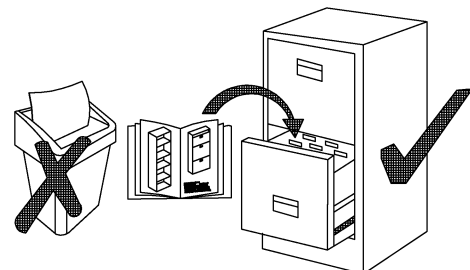




40 G-72 1F VIRION

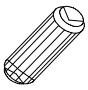

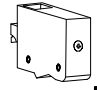


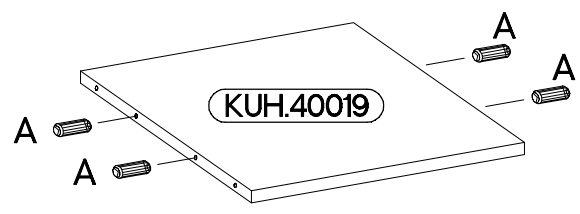
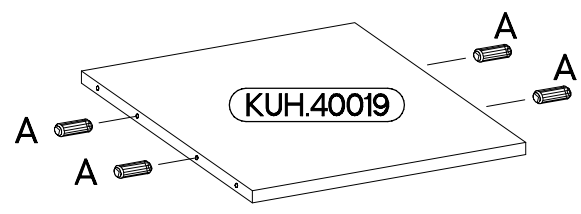
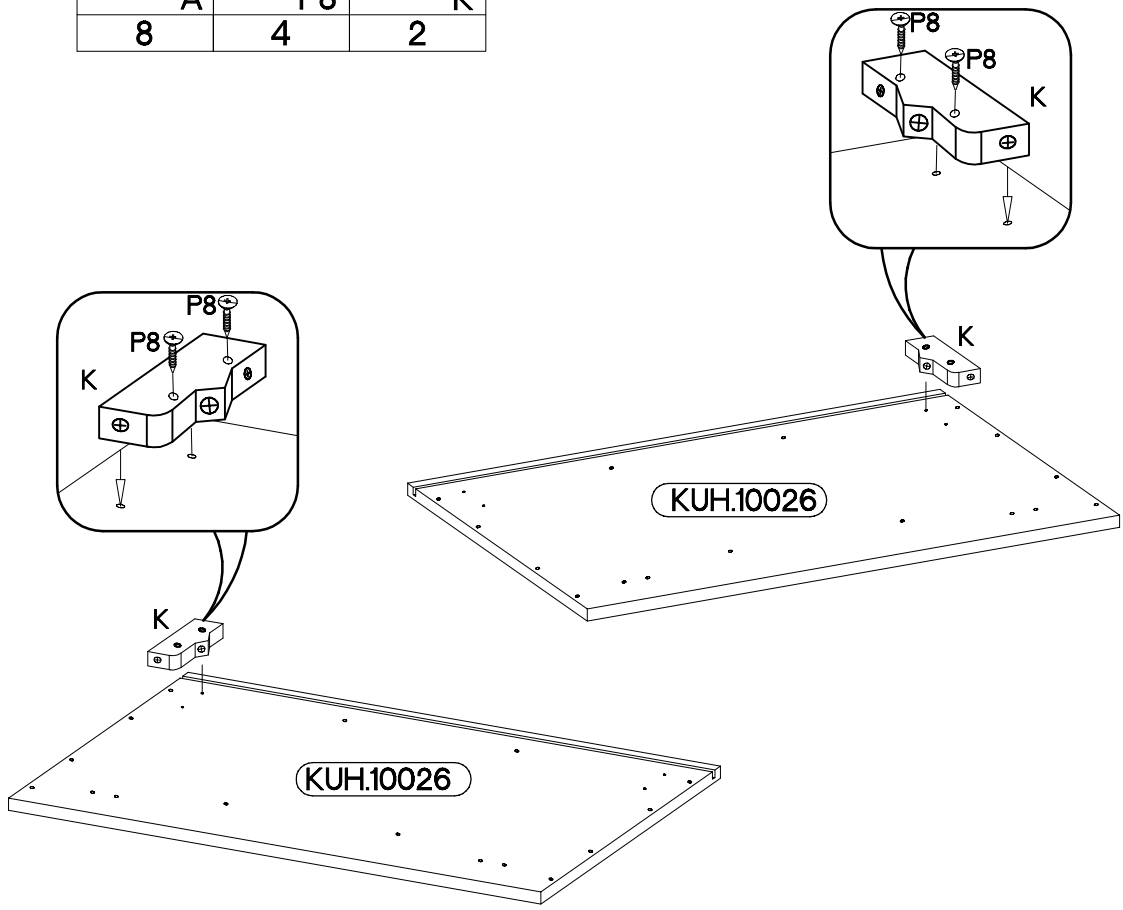
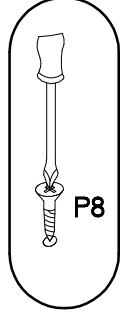
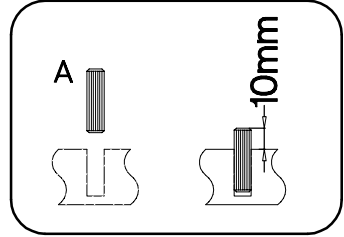
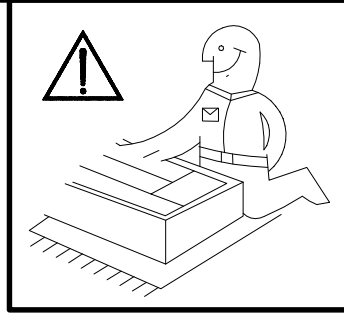
†8x30mm  A	6,4 x 50mm  B	 E1	†35/0mm  HG	†5/19mm  J	 K
8	8	8	2	8	2
 O	†3.5x13mm  P5	†3.0x20mm  P7	†4.0x30mm  P8	†4.0x30mm  R2	 S15
1	4	8-10	4	2	1



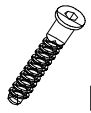
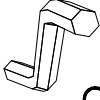

ISM-KUH-00998

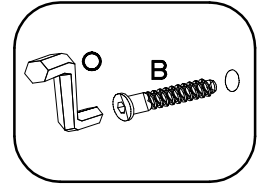
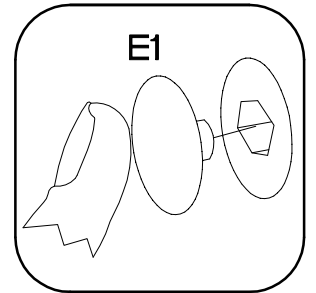
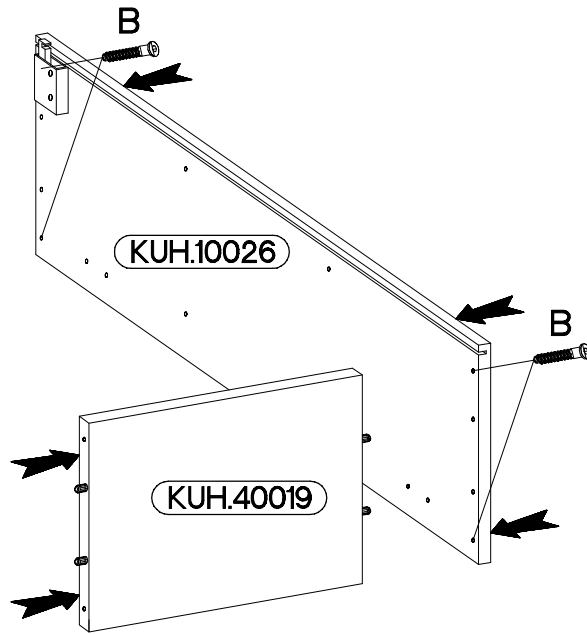
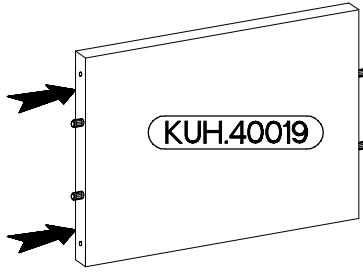
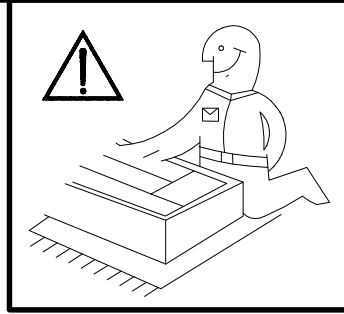
1

$\pm 8 \times 30 \text{mm}$  A	$\pm 4.0 \times 30 \text{mm}$  P8	 K
8	4	2


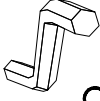



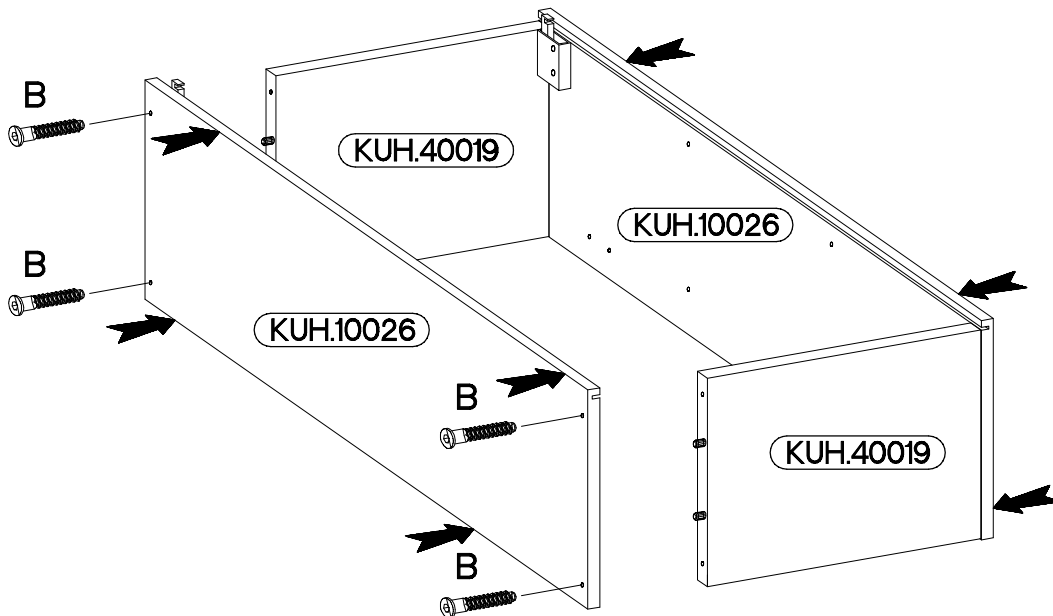
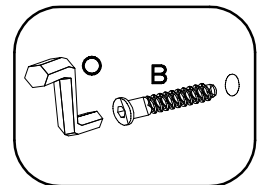
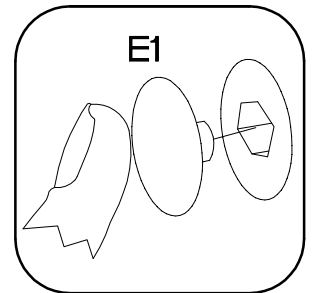
2

6,4 x 50mm		
		
B	O	E1
4	1	4

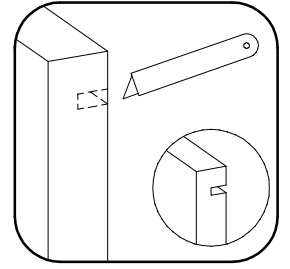
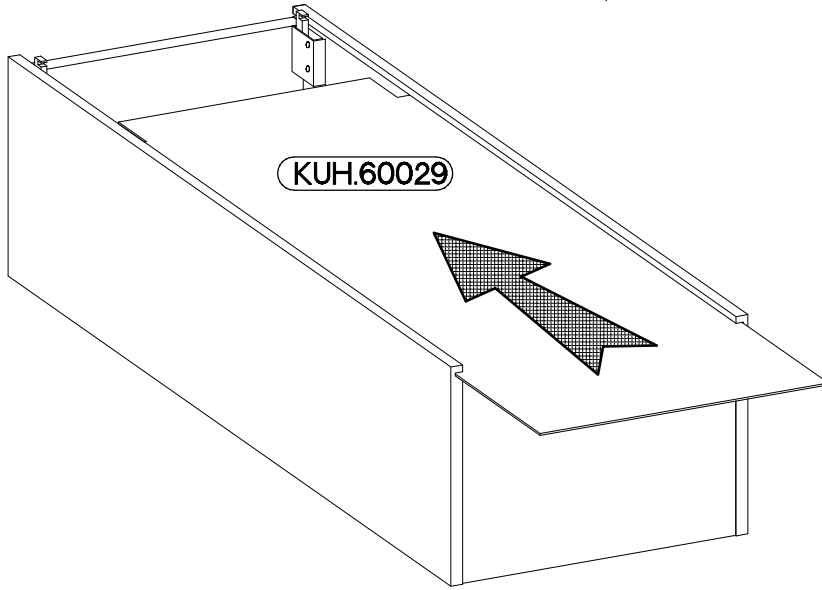
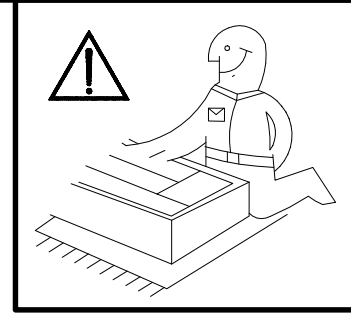
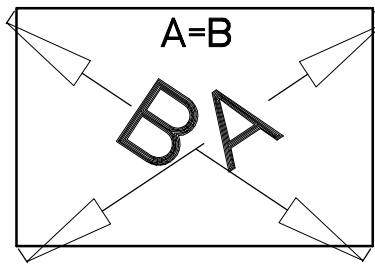


3

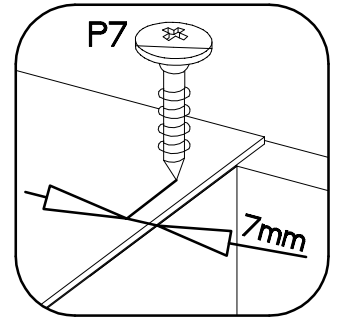
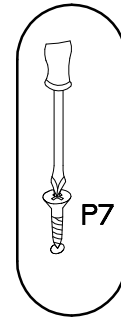
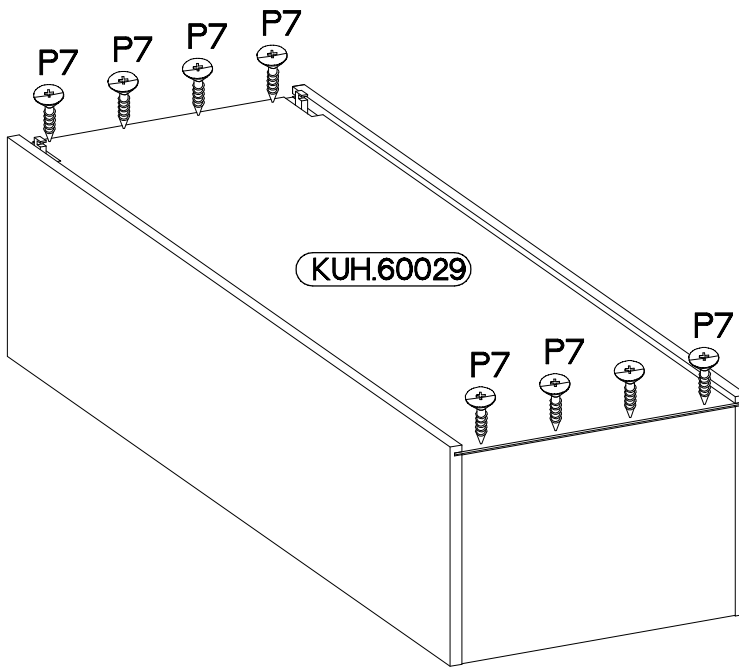
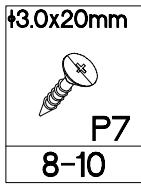
6,4 x 50mm		
		
B	O	E1
4	1	4



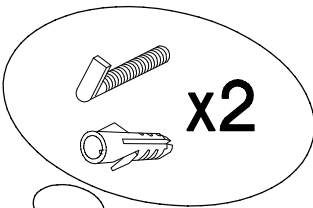
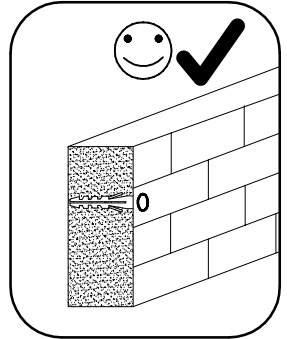
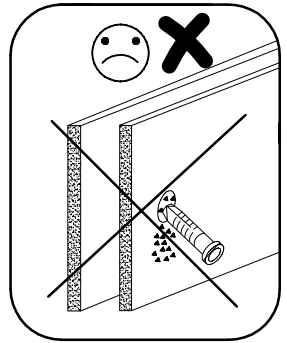
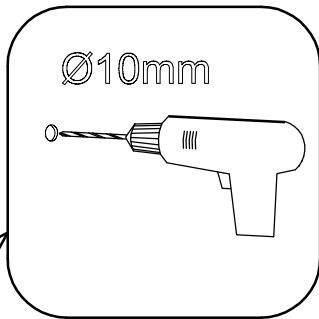
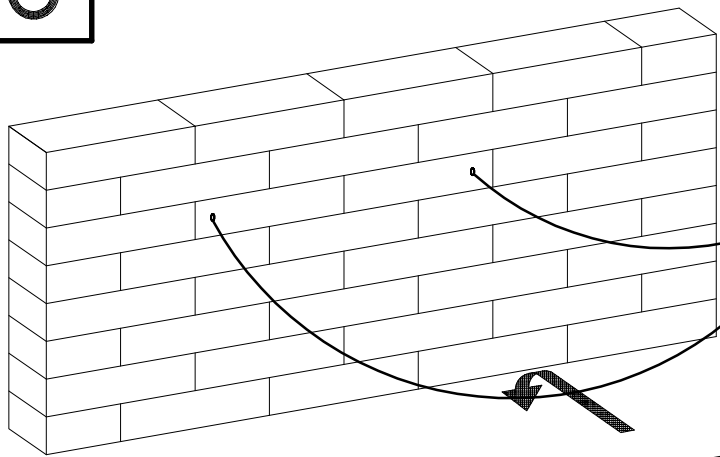
4



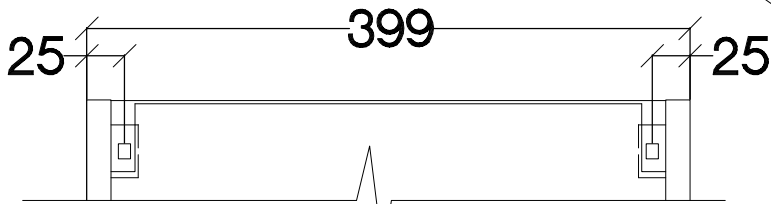
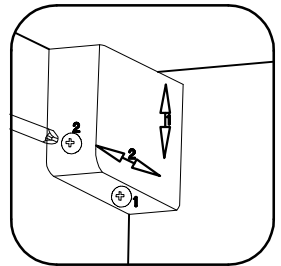
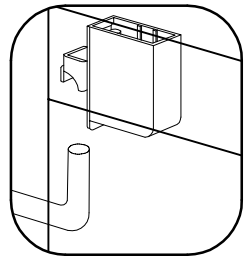
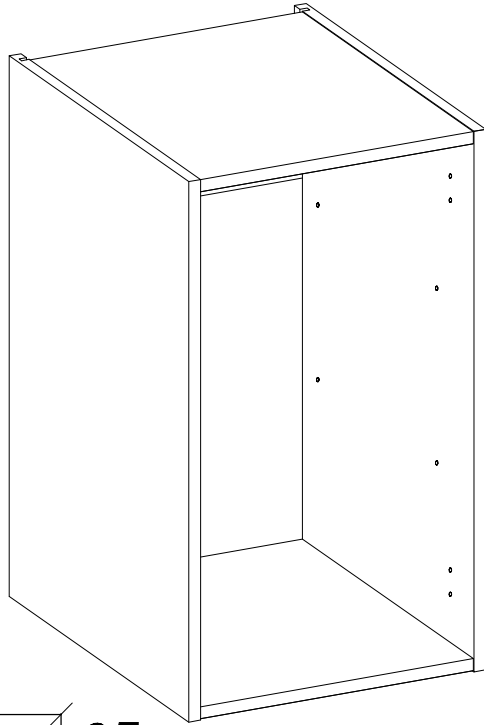
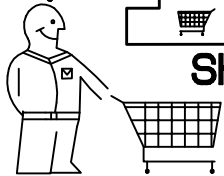
5



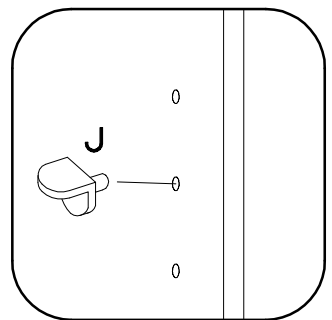
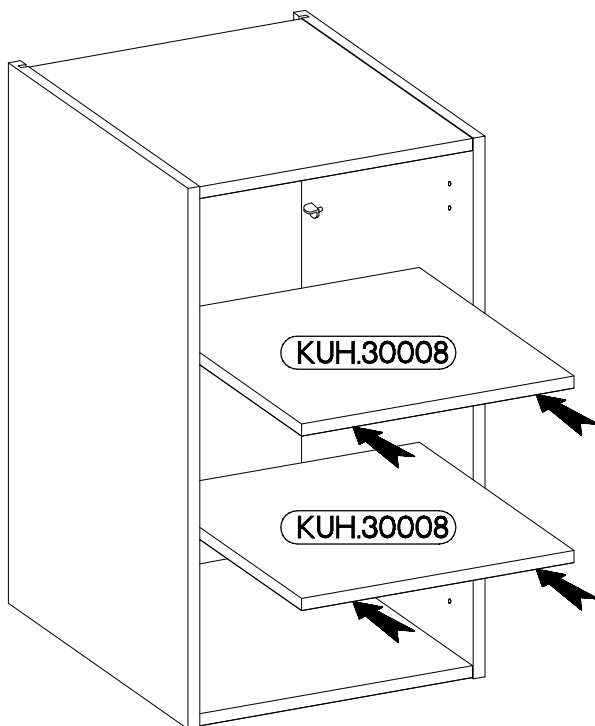
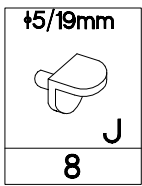
6



x2



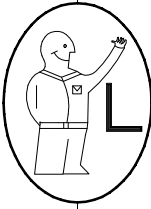
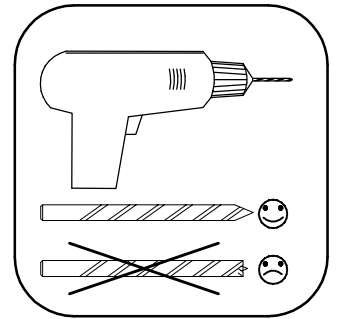
7



8

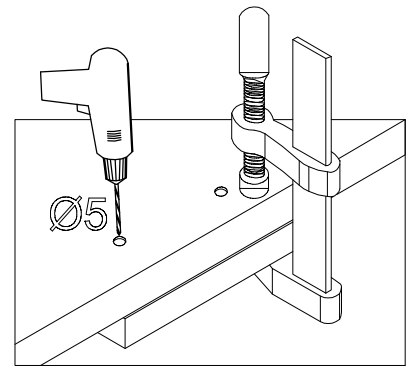
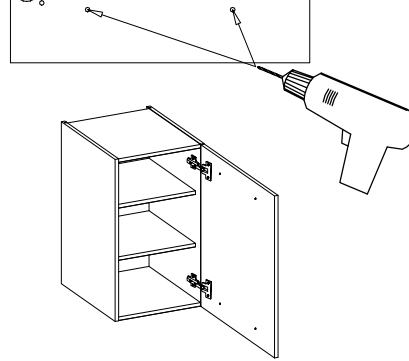
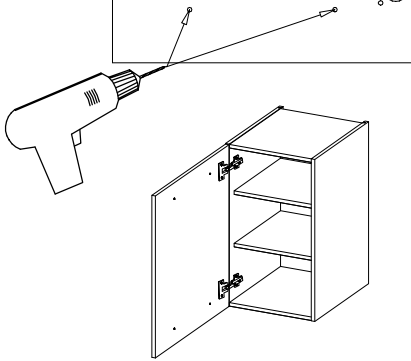
LEFT

RIGHT



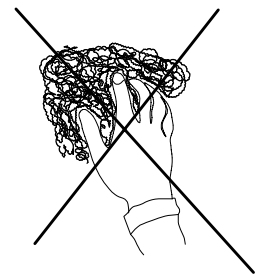
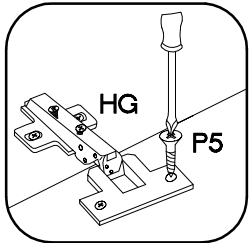
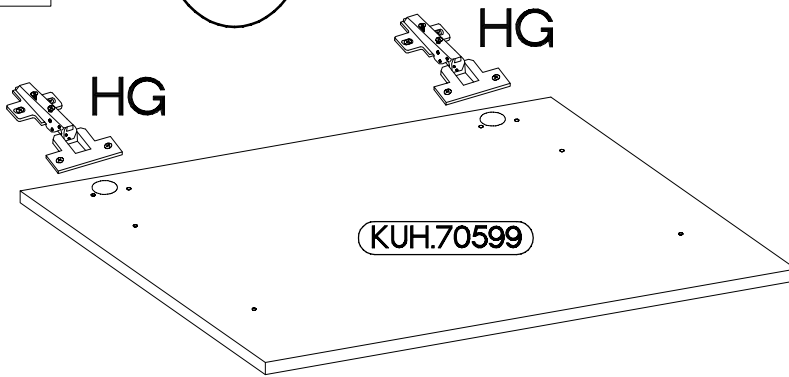
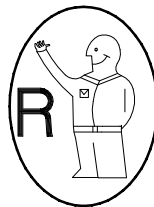
KUH.70599

KUH.70599

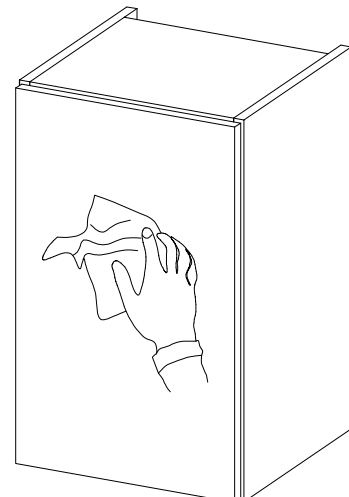
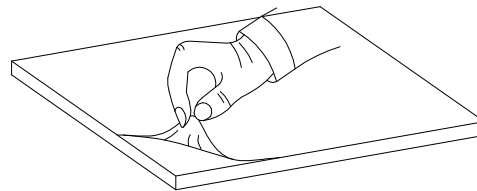
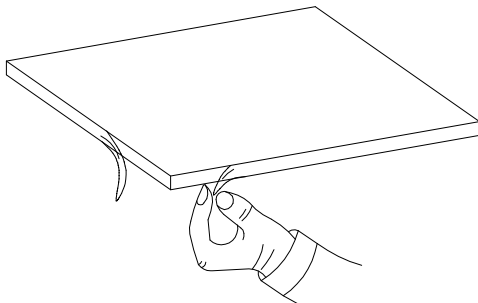




9

±35/0mm	±3.5x13mm
HG	P5
2	4



VARIANT HIGH GLOSS



4.0x30mm		
	R2	S15
	2	1

