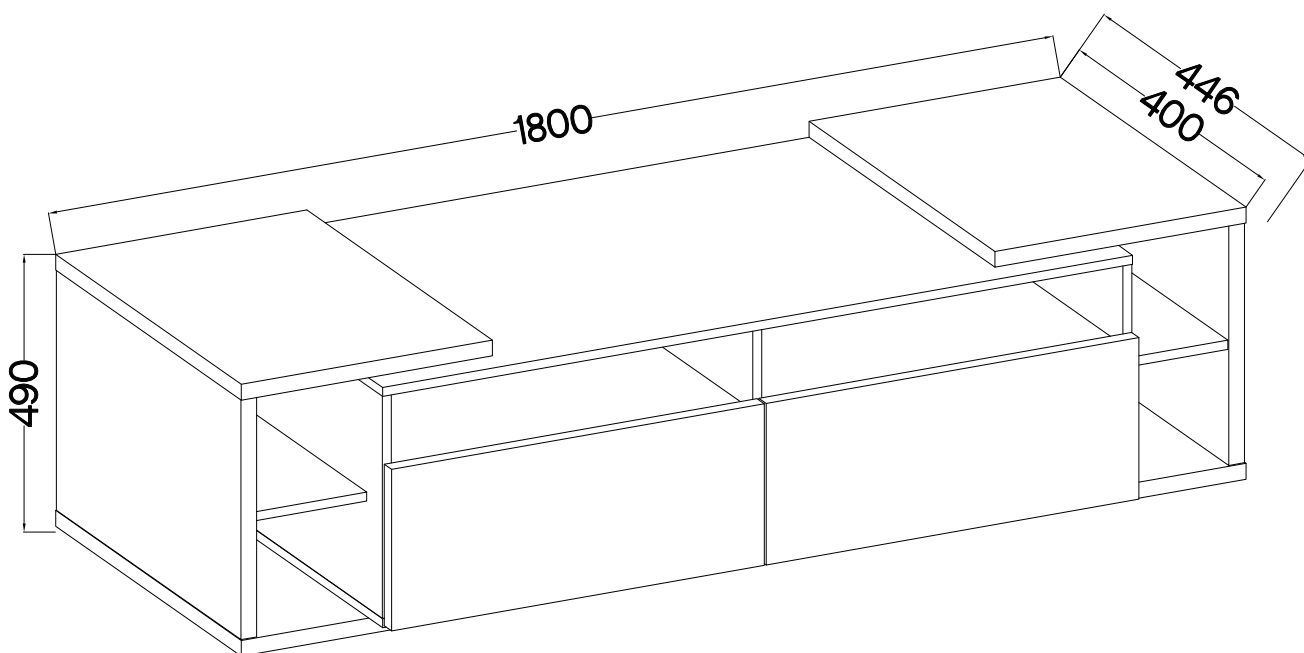
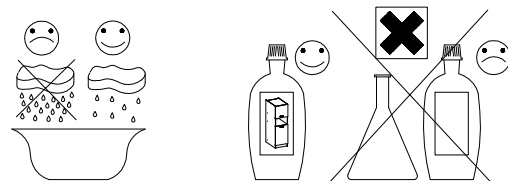
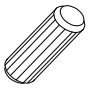
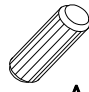


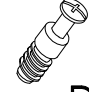
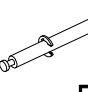




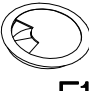
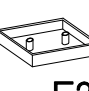

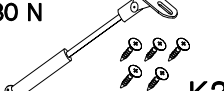
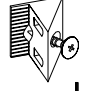





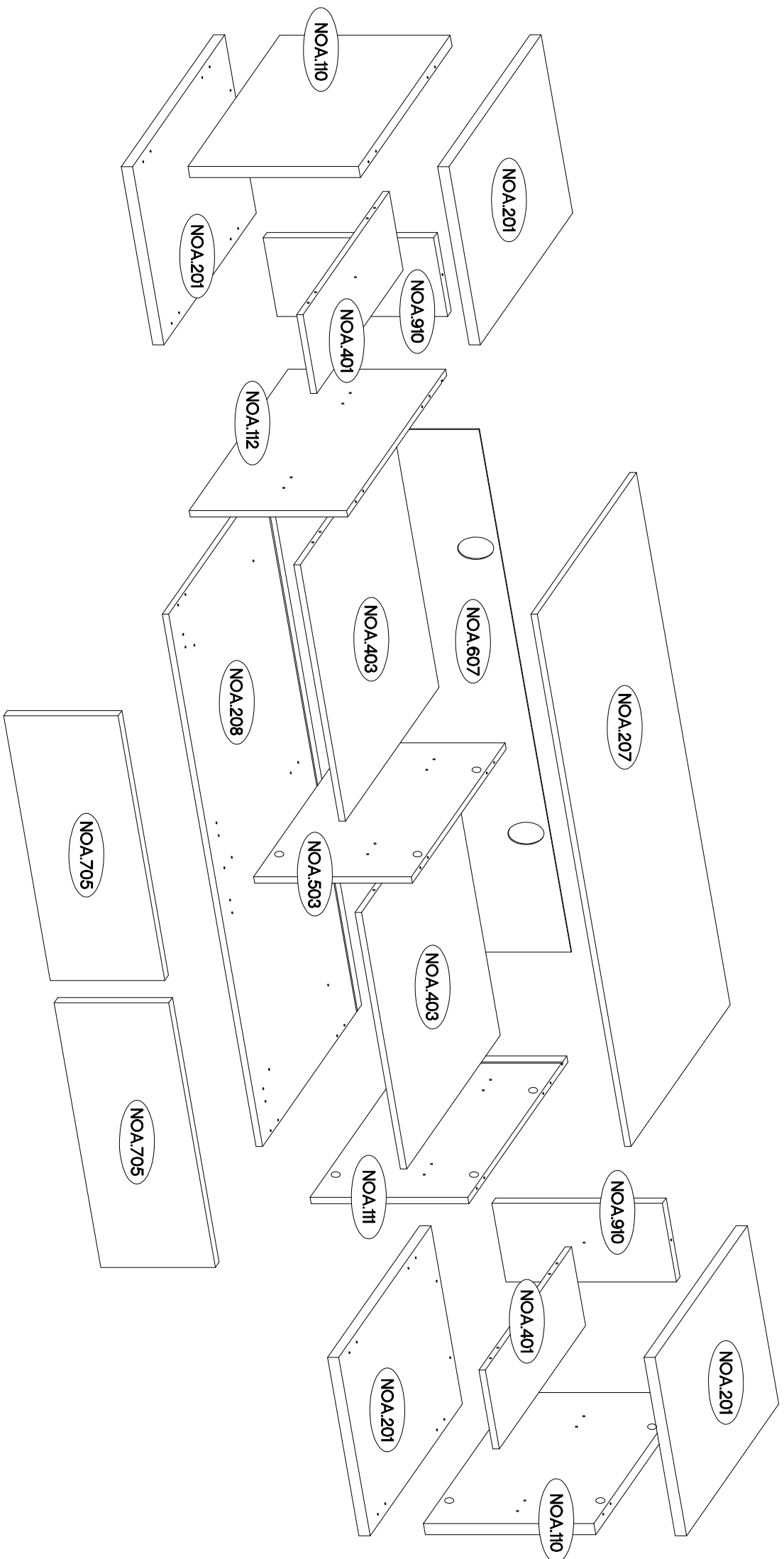


NANCY 301



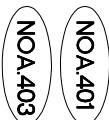
 A	 A2	 B	 C	 D2	 D4	 ant. E	 szar. E	 E1	 E13
32	2	2	40	36	2	20	20	2	4
 E17	 F28	 HG	 L=270mm 80 N BARKOWY K33	 L	 O	 P1	 P5	 P7	 P25 BLACK
2	8	4	2	14	1	16	8	10	8

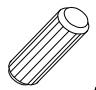
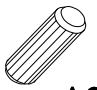


ISM-NOA-004

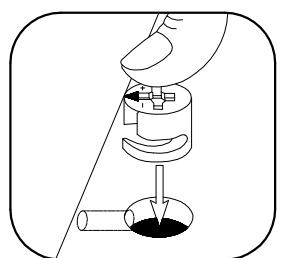
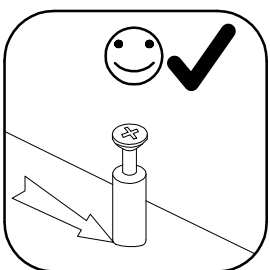
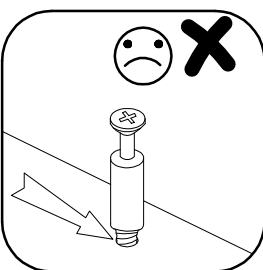
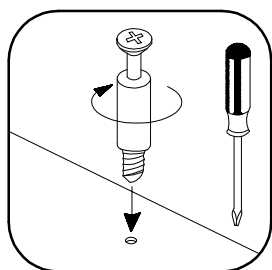
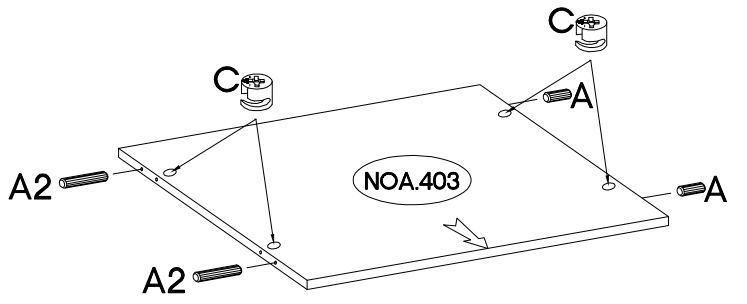
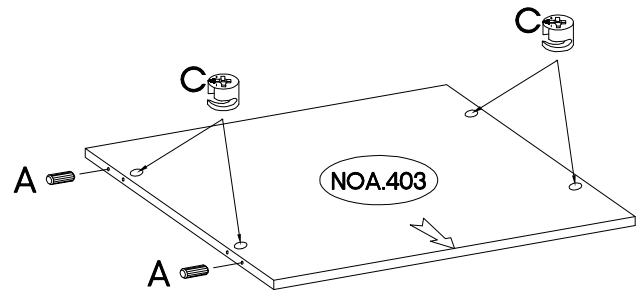
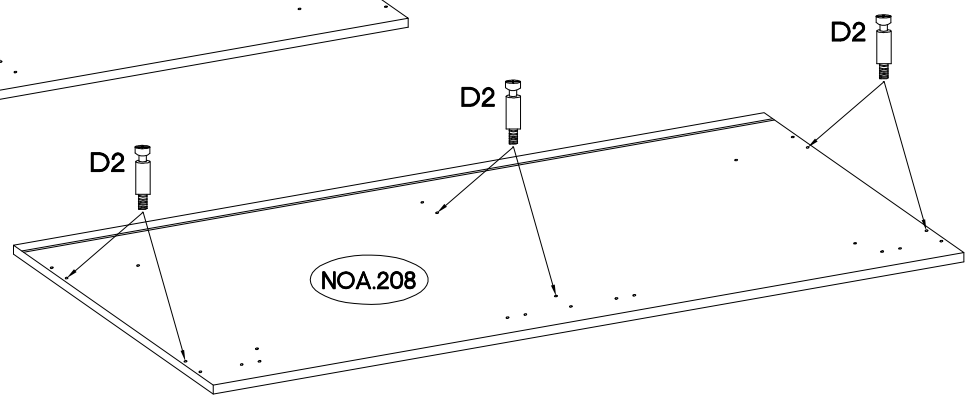
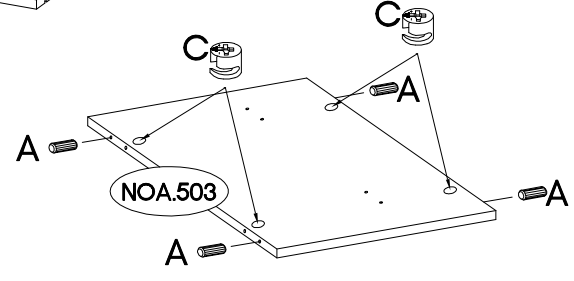
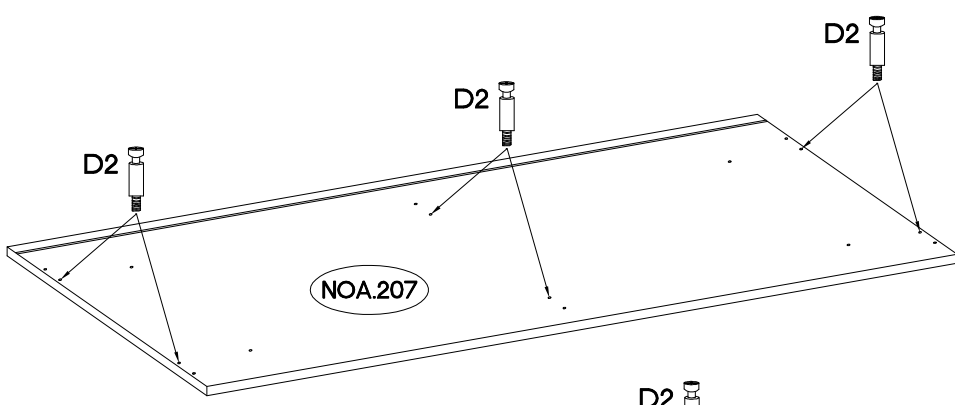
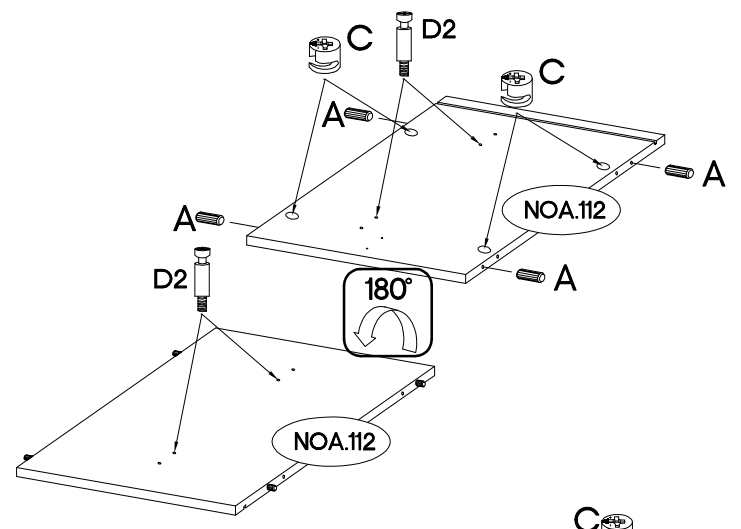
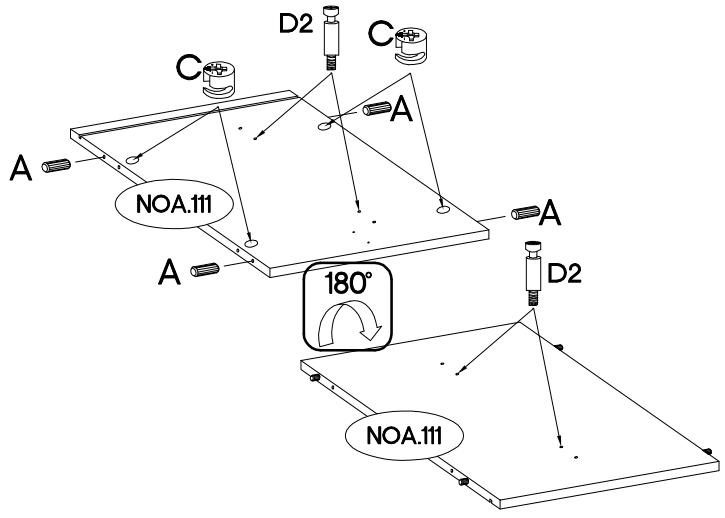
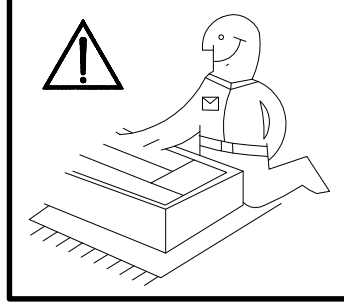
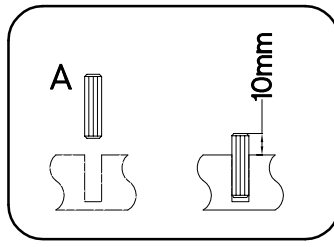


Coll.	Ersatzteil Nummer	Dimension
1/2	NOA.111	392x429x16
	NOA.112	392x429x16
	NOA.401 x2	199x374x16
	NOA.403 x2	647,5x406x16
	NOA.503	392x407x16
	NOA.705 x2	285x668x16
	NOA.910 x2	424x199x16

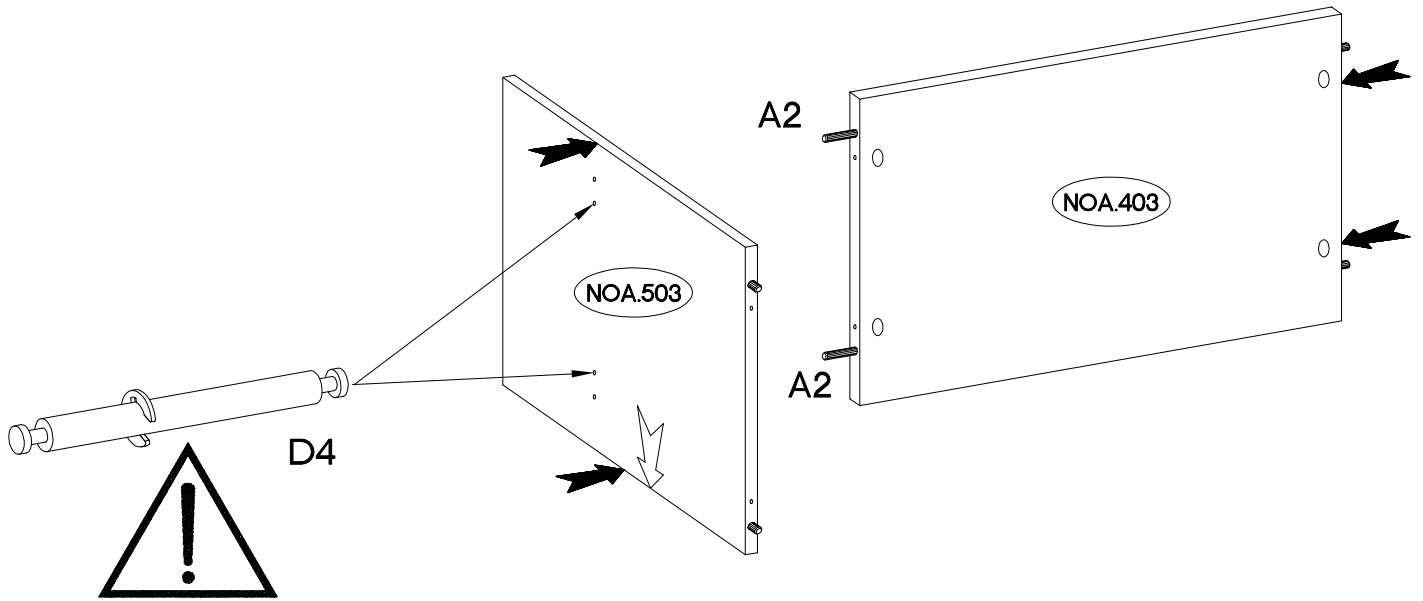
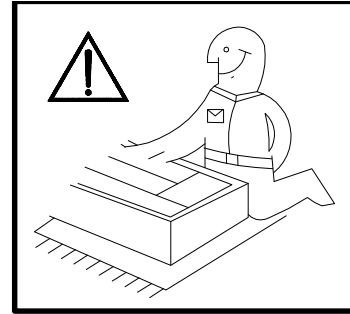
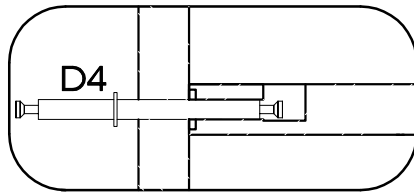
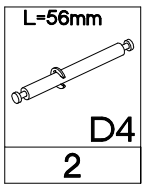
Coll.	Ersatzteil Nummer	Dimension
2/2	NOA.110 x2	424x398x28
	NOA.201 x4	450x400x28
	NOA.207	1344x430x16
	NOA.208	1344x430x16
	NOA.607	1320x401x2,5



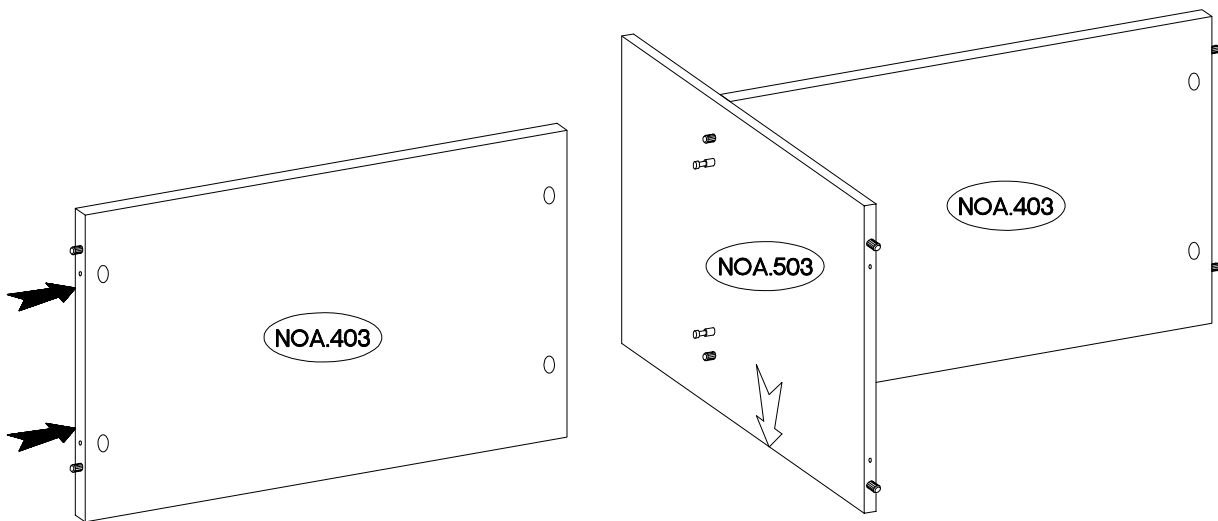
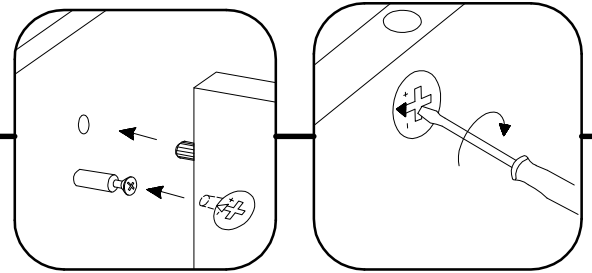
$\varnothing 8 \times 30 \text{mm}$  A 16	$\varnothing 8 \times 60 \text{mm}$  A2 2	L=20mm  D2 20	$\varnothing 15/12 \text{mm}$  C 20
--	--	--	--



2

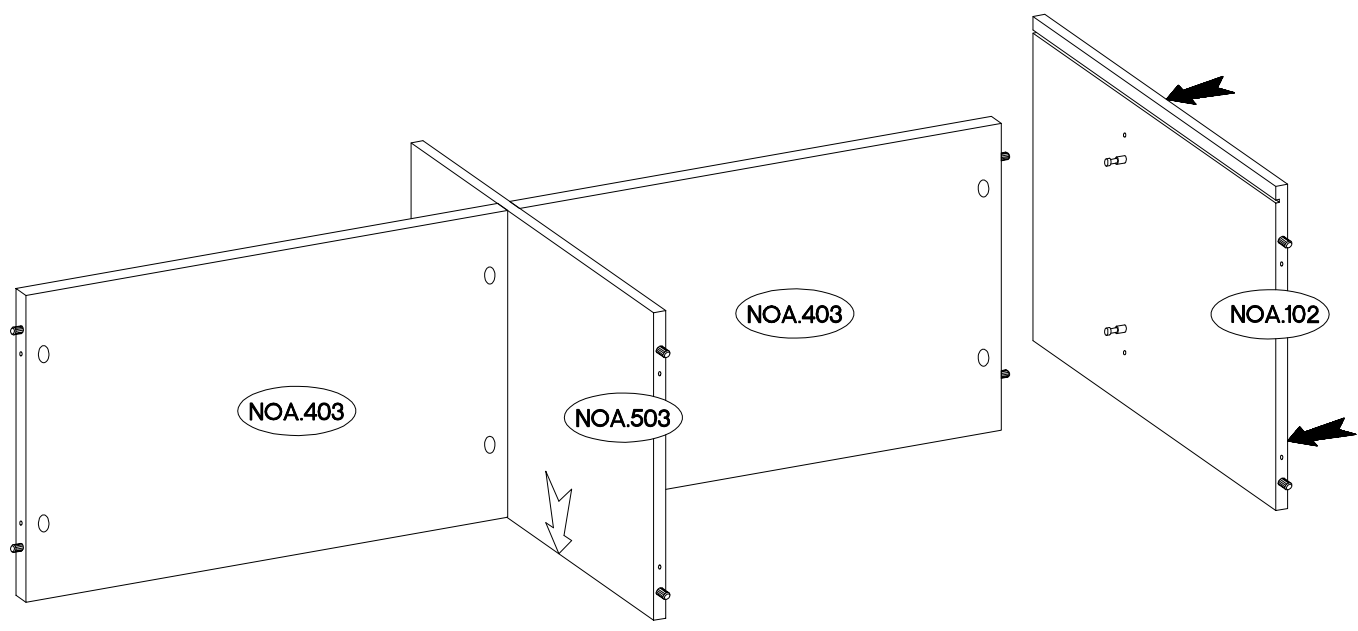
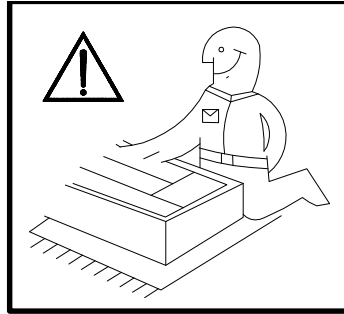


3

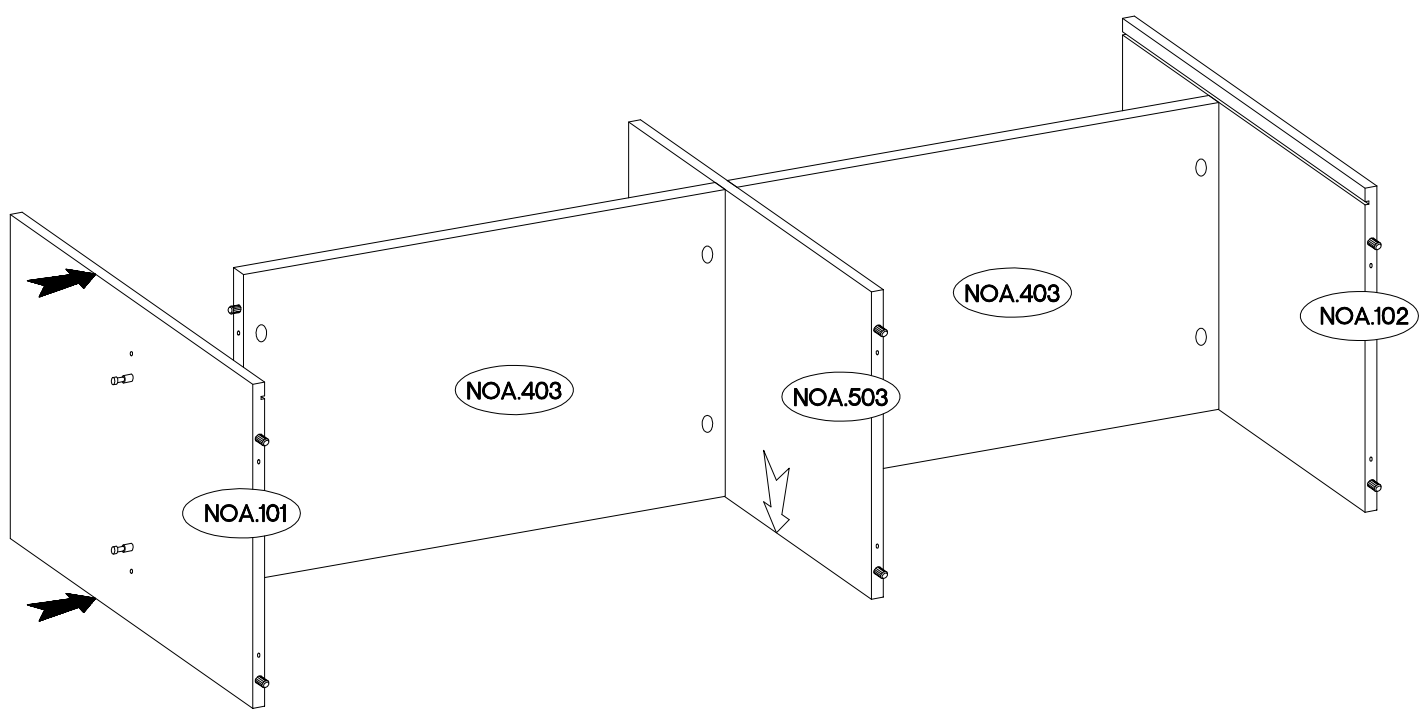
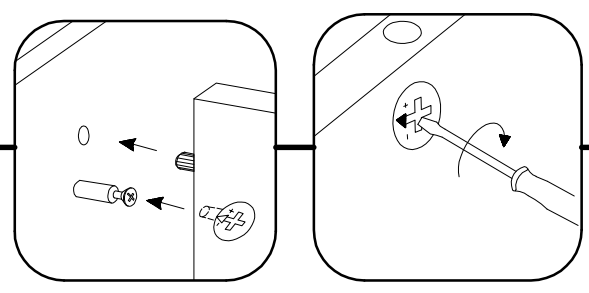




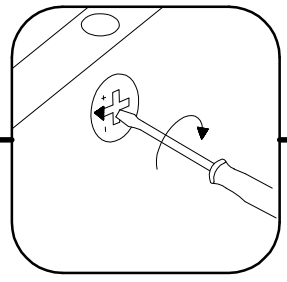
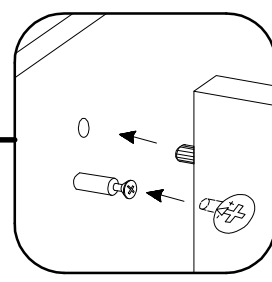
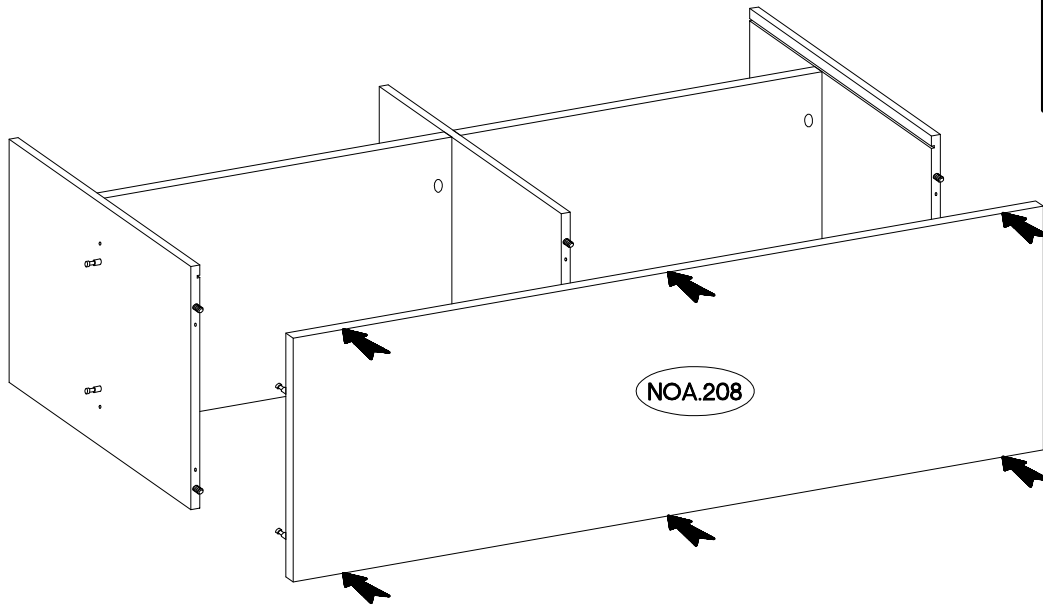
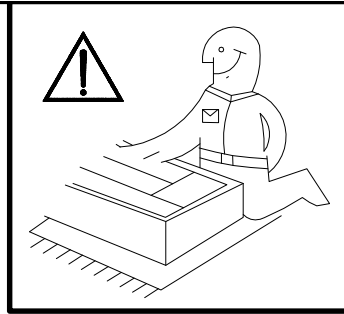
4



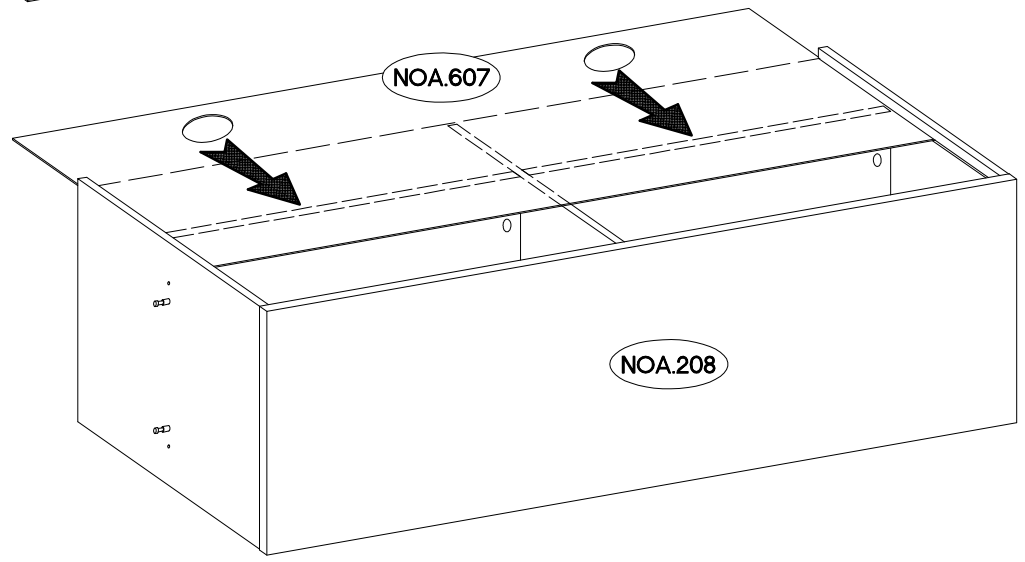
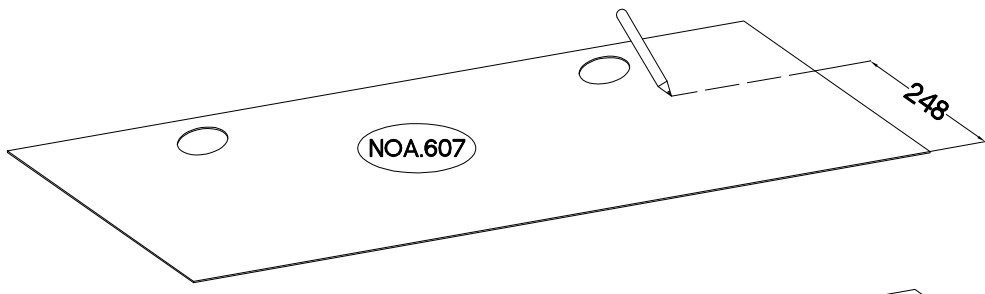
5



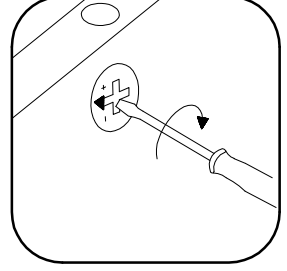
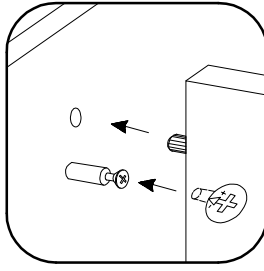
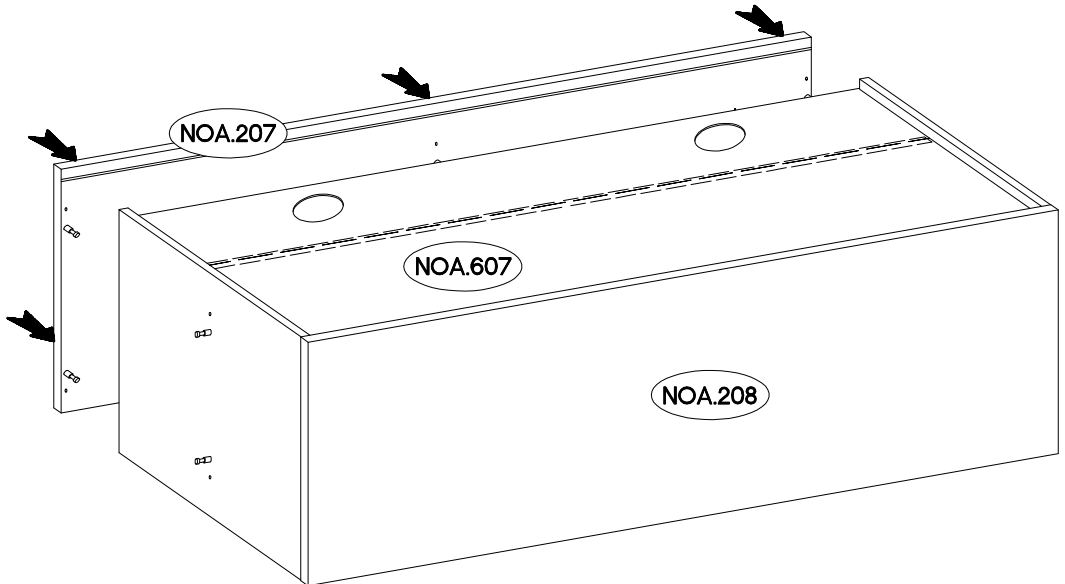
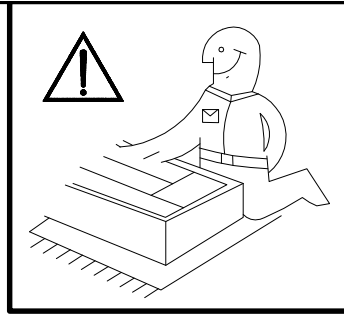
6




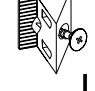
7

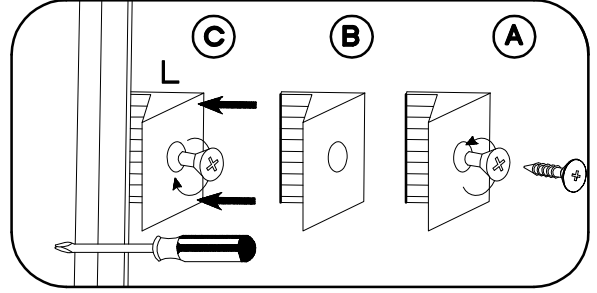
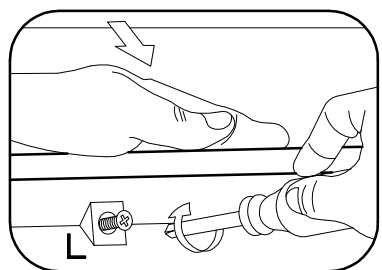
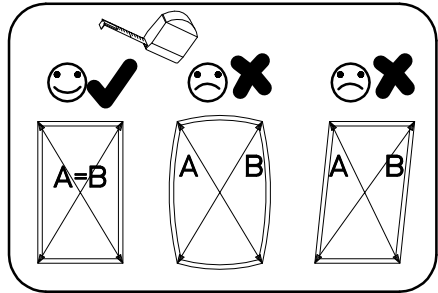
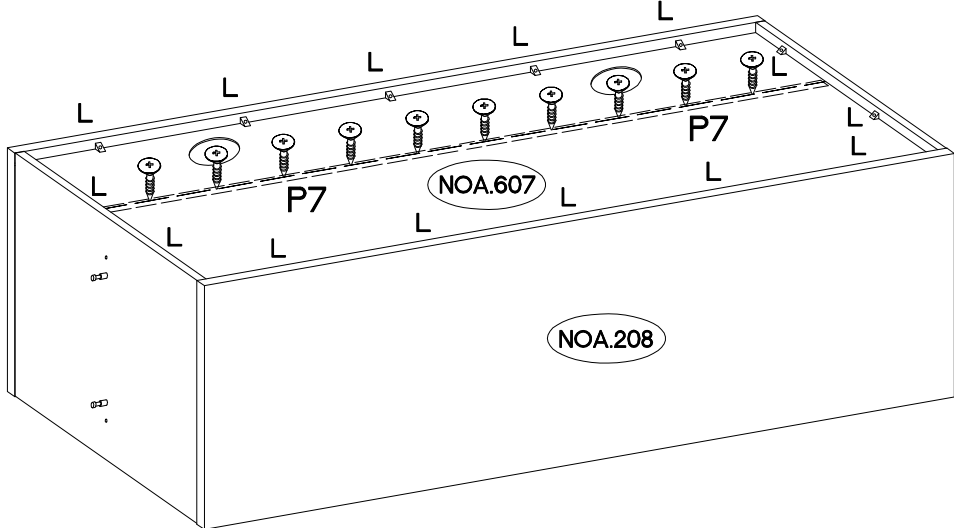
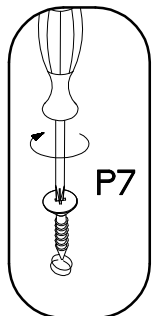


8



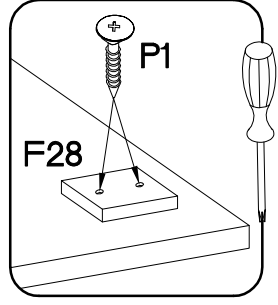
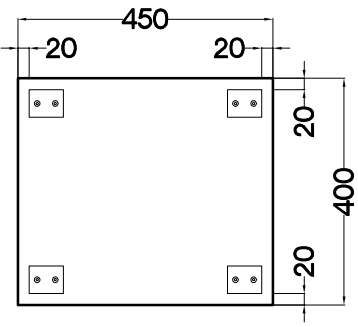
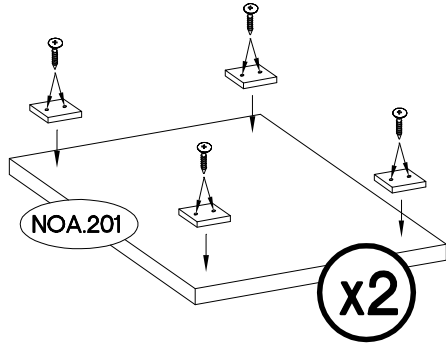
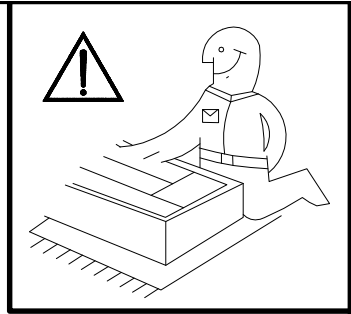
9

#3.0x20mm	
	
P7	L
10	14



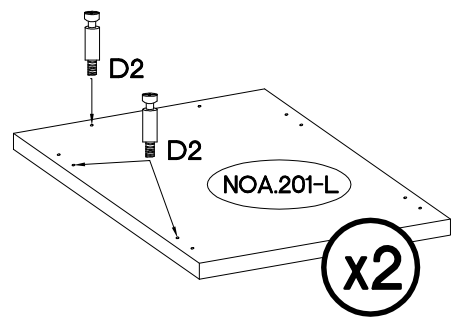
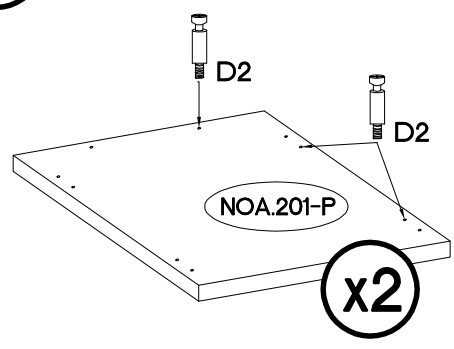
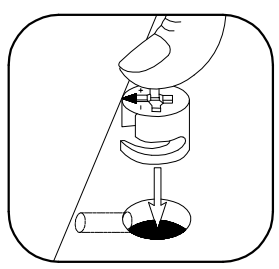
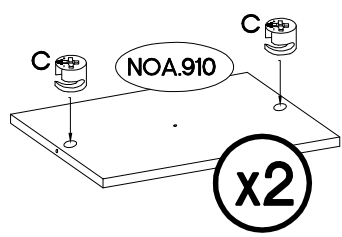
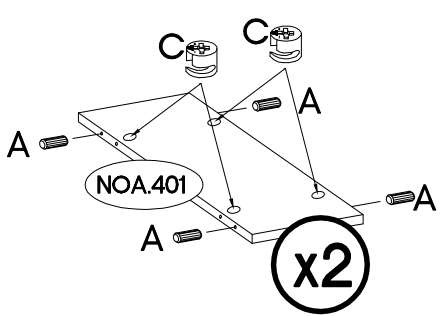
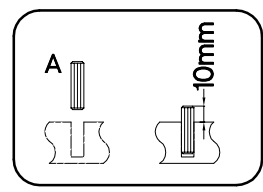
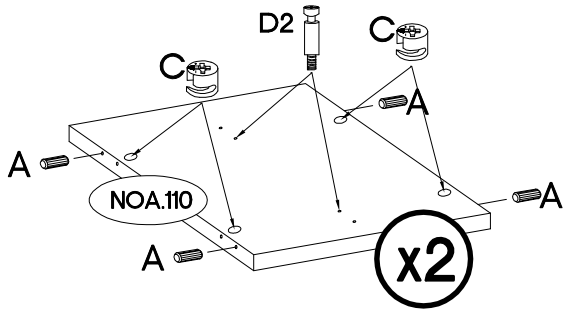
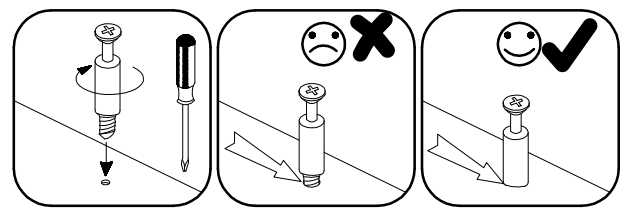
# 10

60x49x10	4.0x16mm
F28	P1
8	16

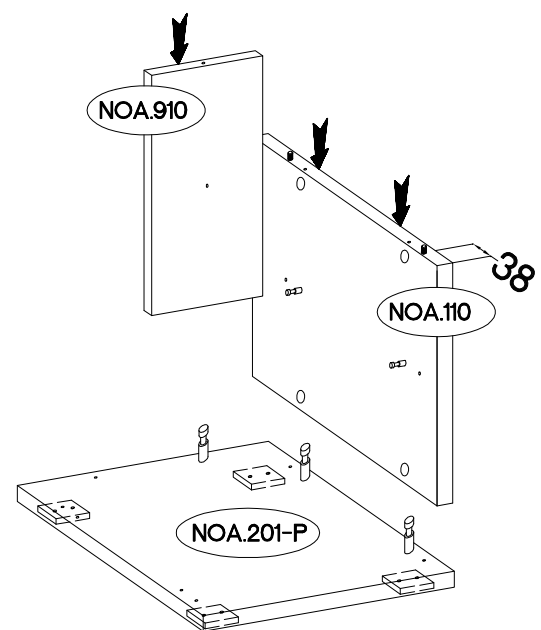
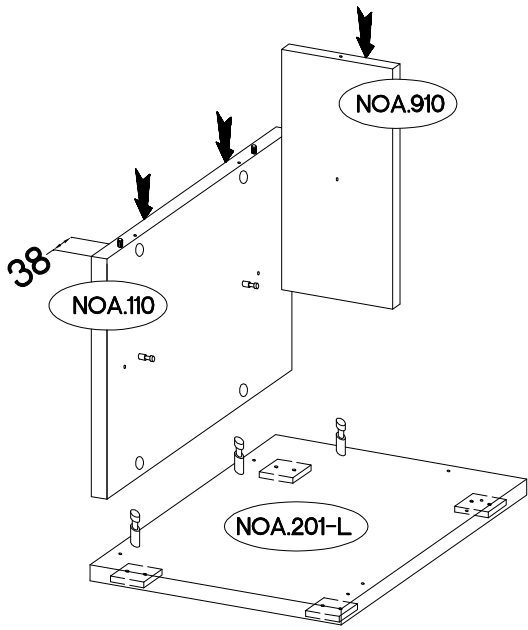
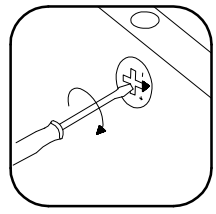
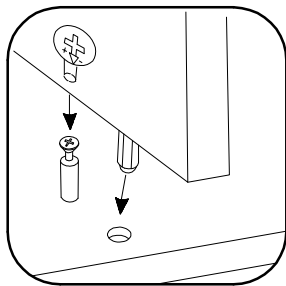


# 11

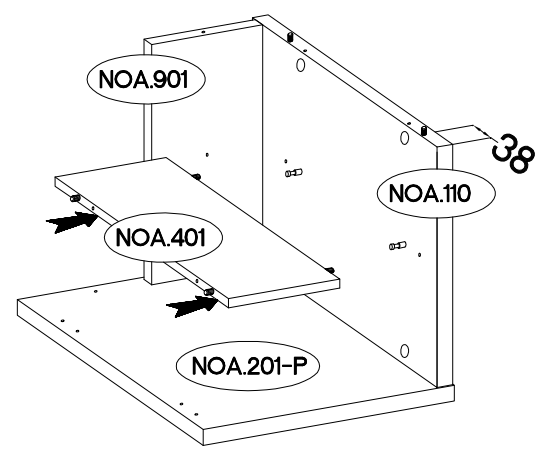
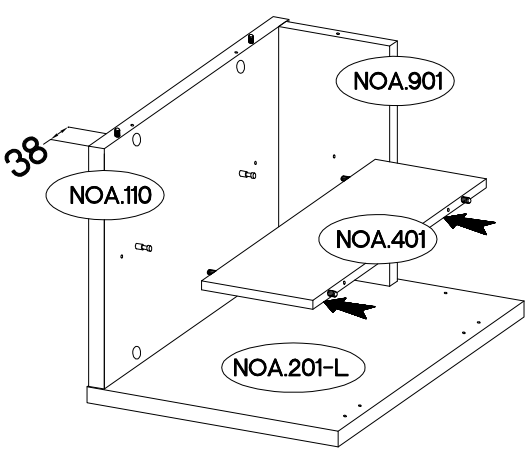
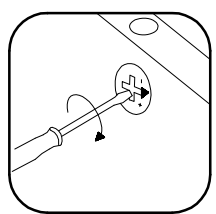
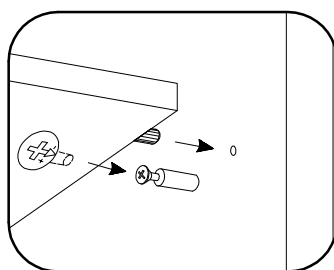
8x30mm	L=20mm	#5/12mm
A	D2	C
16	16	20




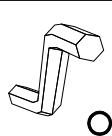
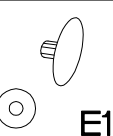
12

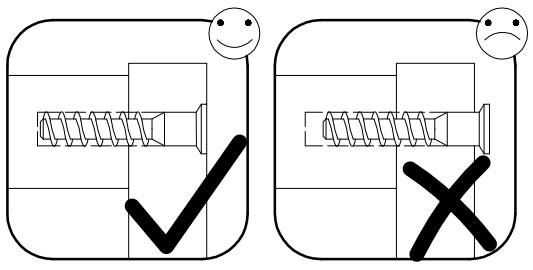
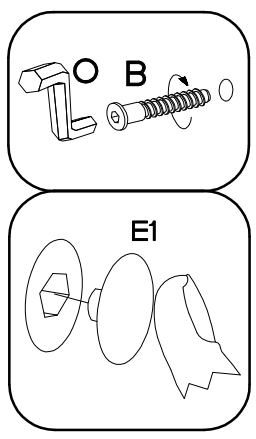
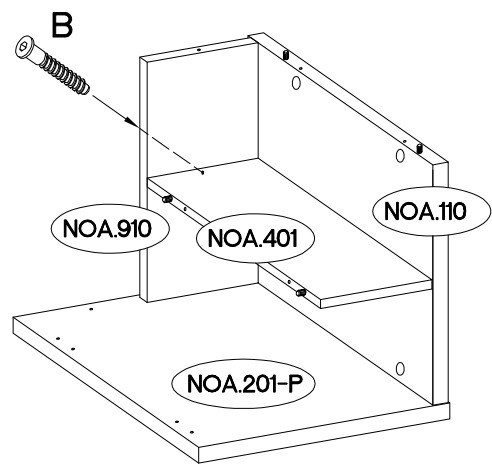
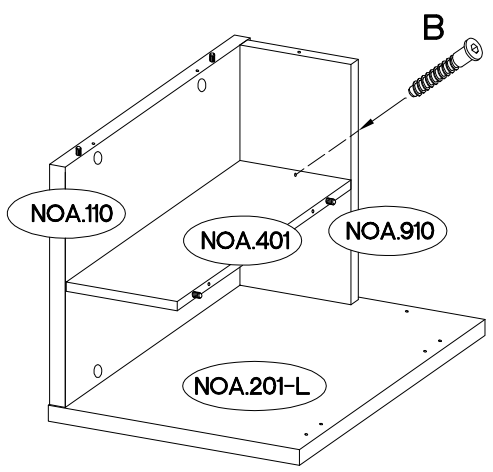


13

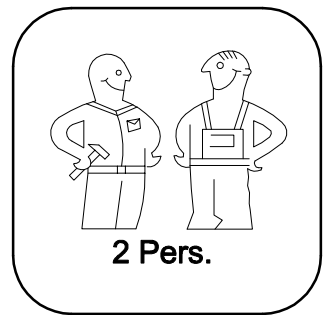
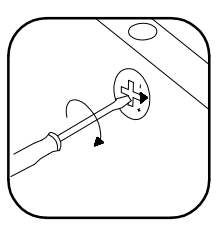
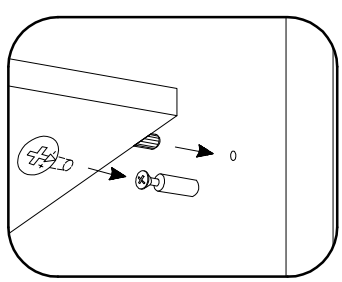
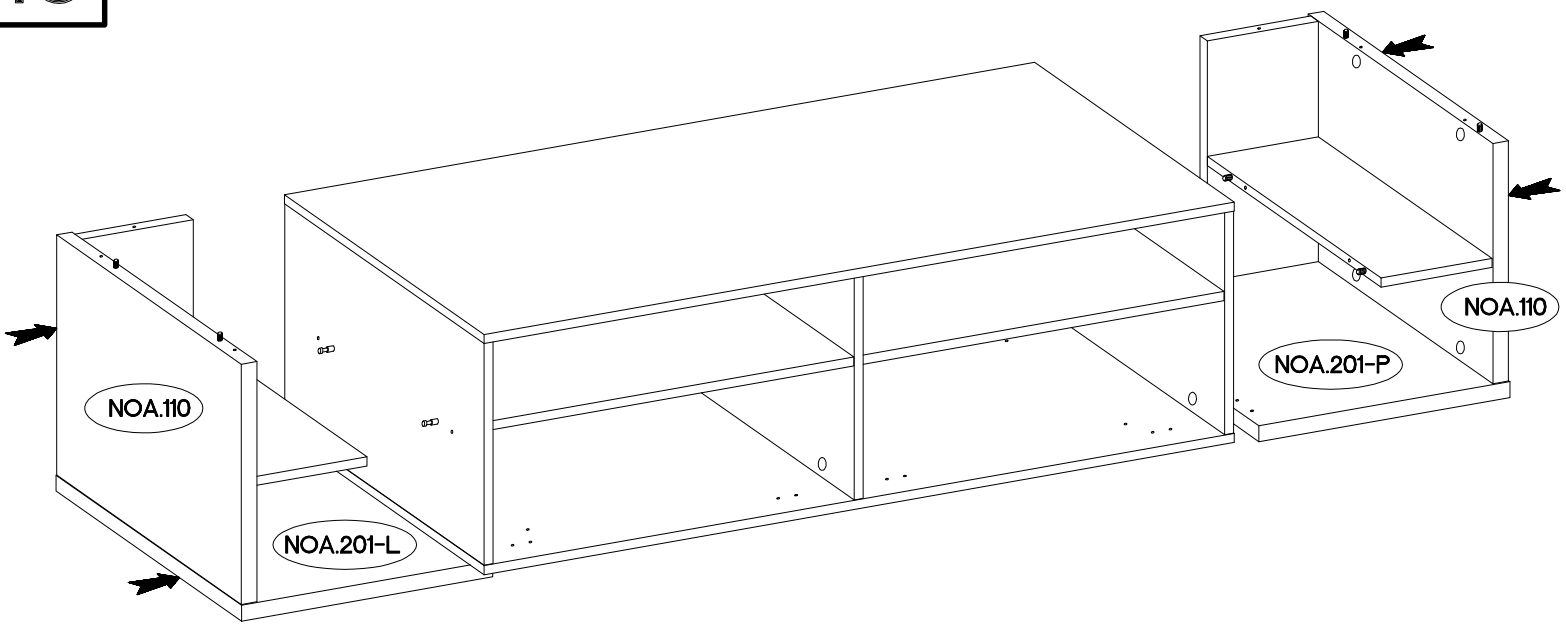


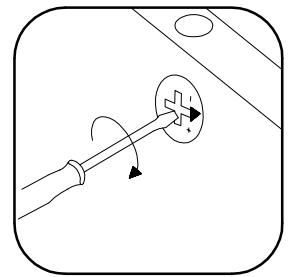
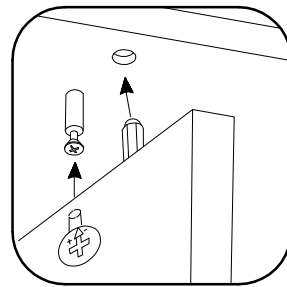
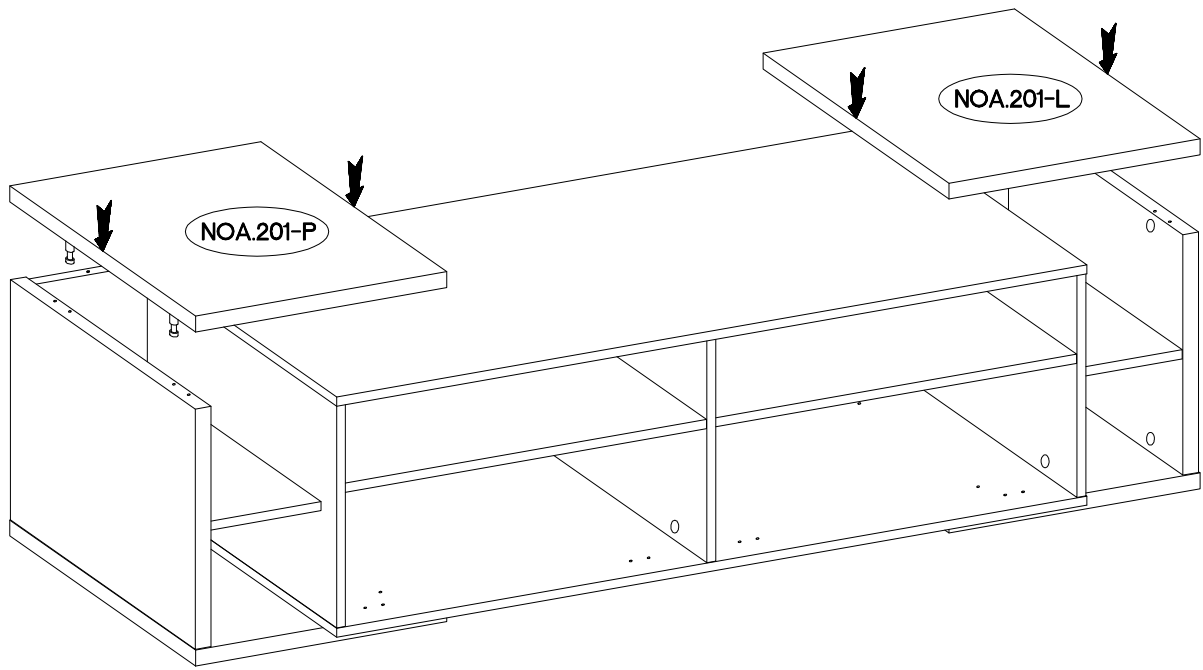
14


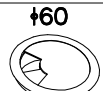
6,4 x 50mm		
		
B	O	E1
2	1	2

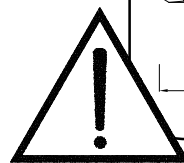
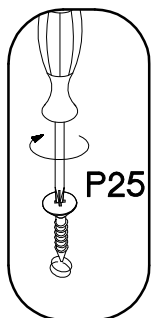
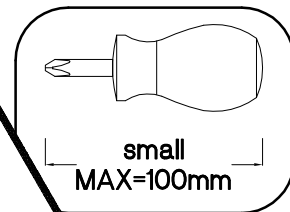
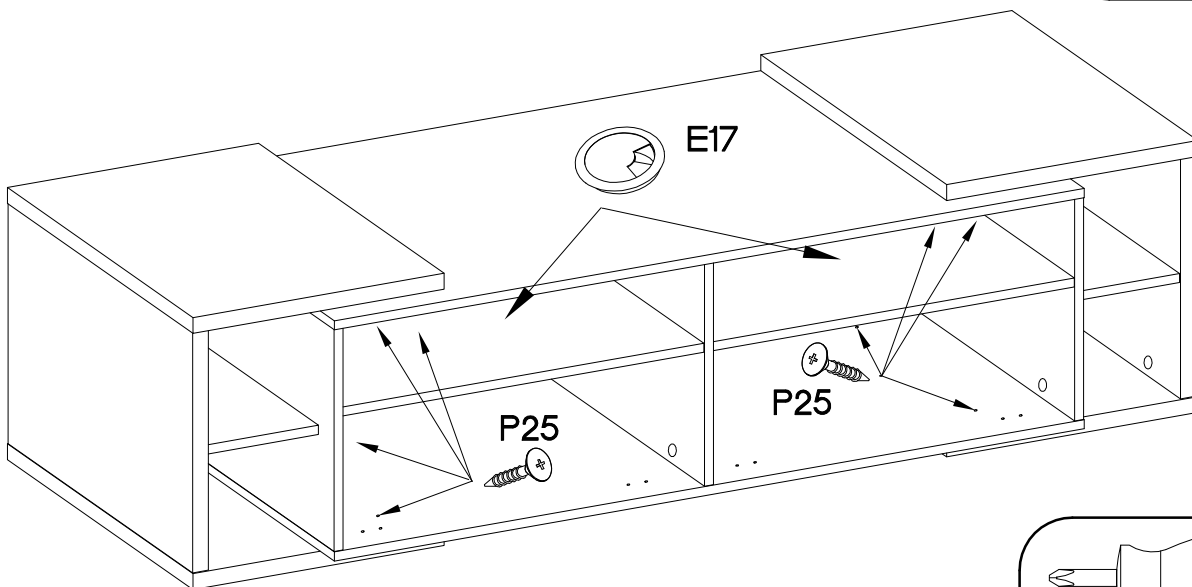
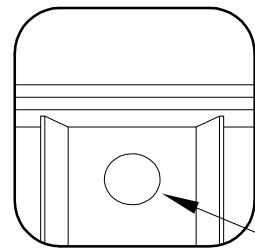


15



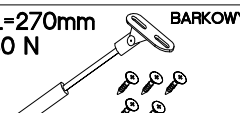


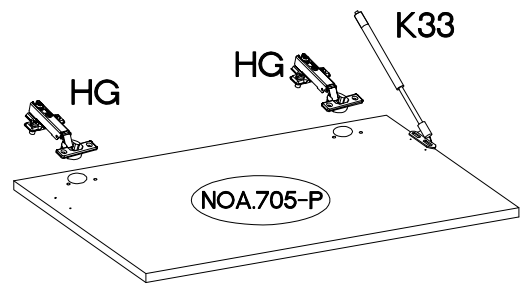
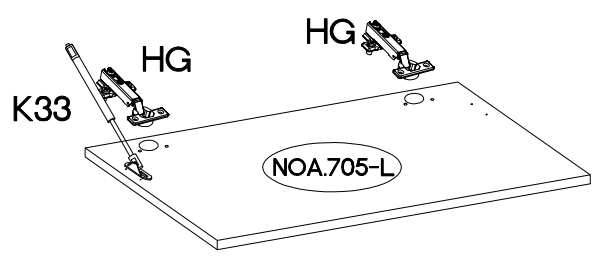
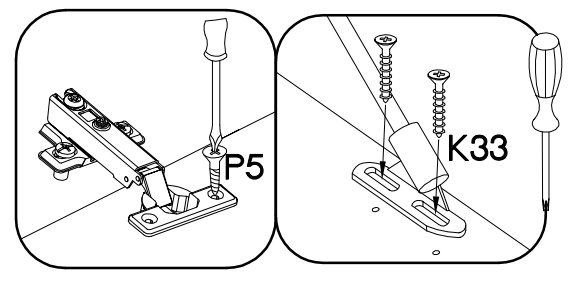


$\pm 3.5 \times 25 \text{mm}$ BLACK  P25 8	$\pm 60$  E17 2
---	---



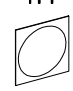


# 18

 HG 4	 P5 8	 L=270mm 80 N BARKOWY K33 2
---	---	--



# 19

 ant. E 20	 szar. E 20	 E13 4
---	--	---

