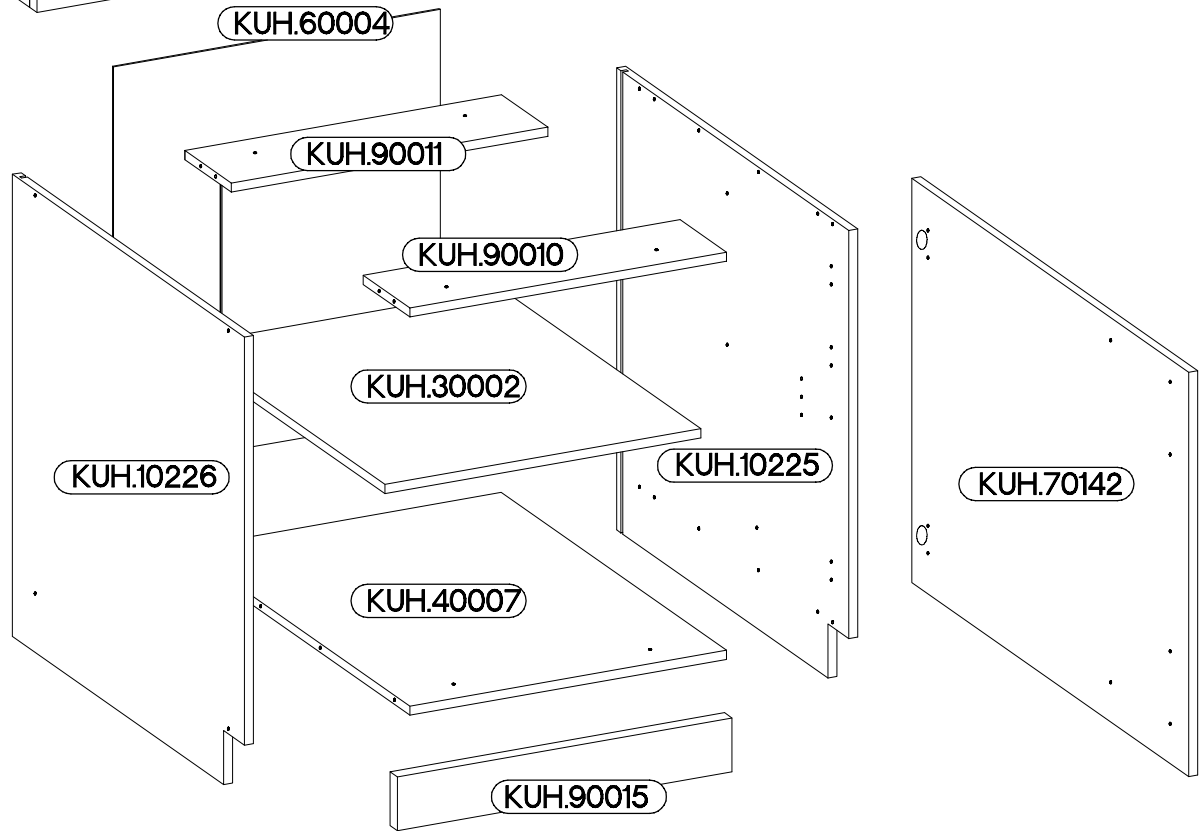
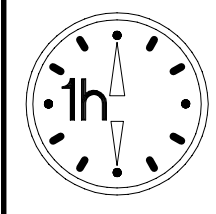
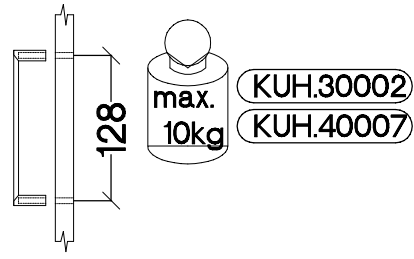
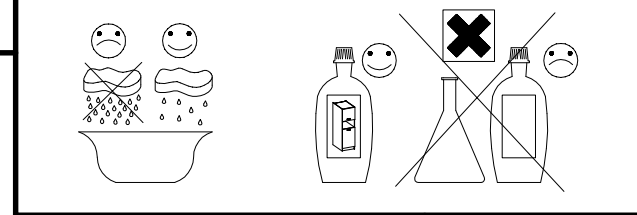
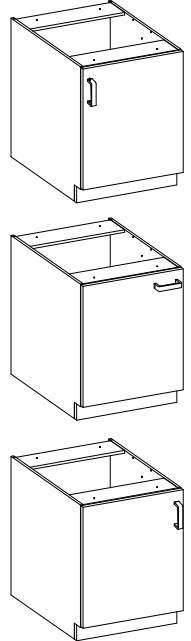
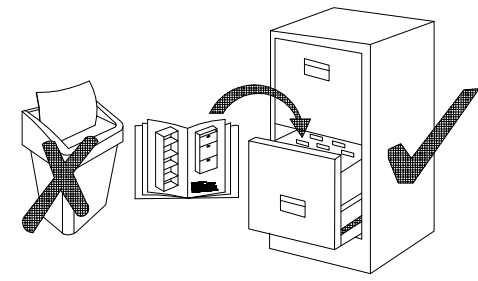


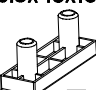
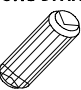
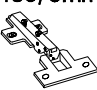

60 D 1F BB

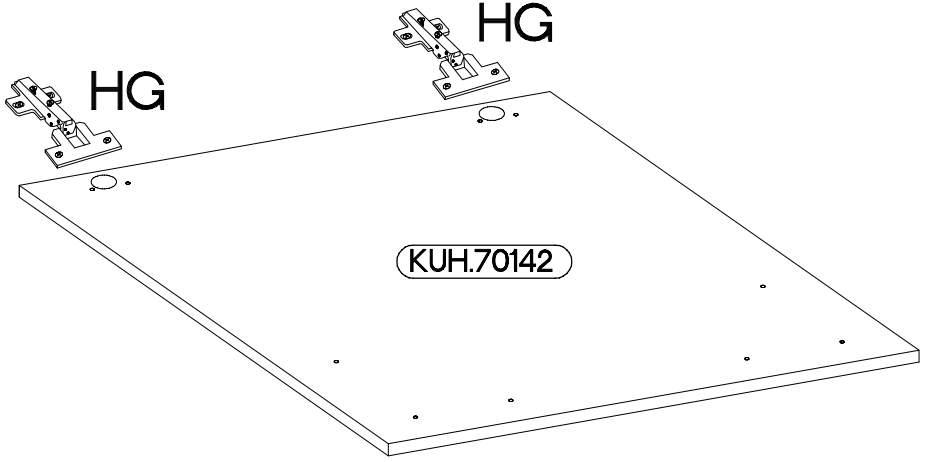
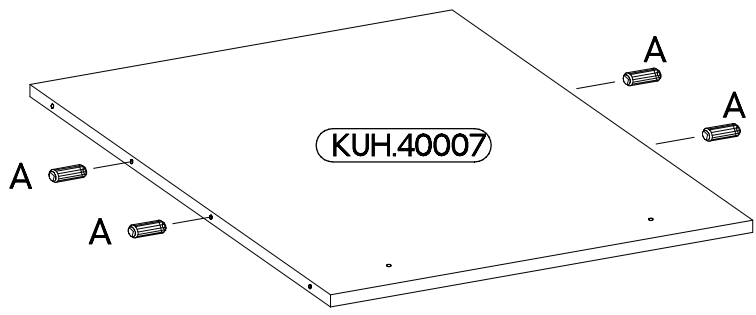
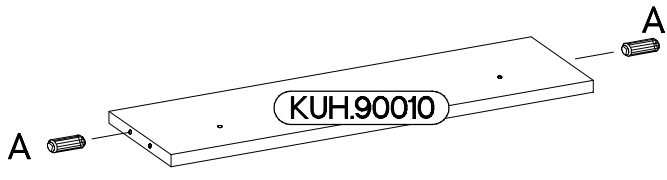
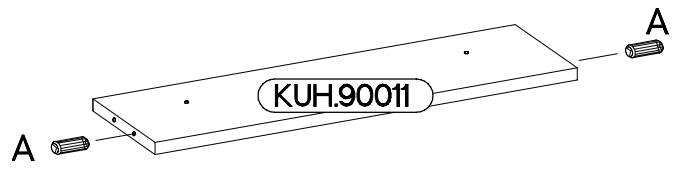
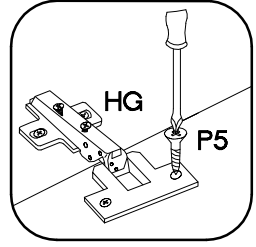
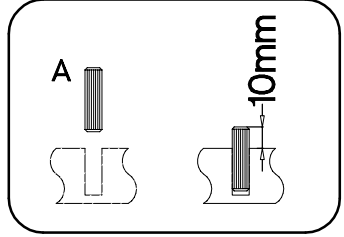
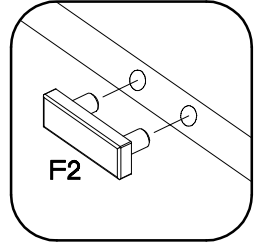
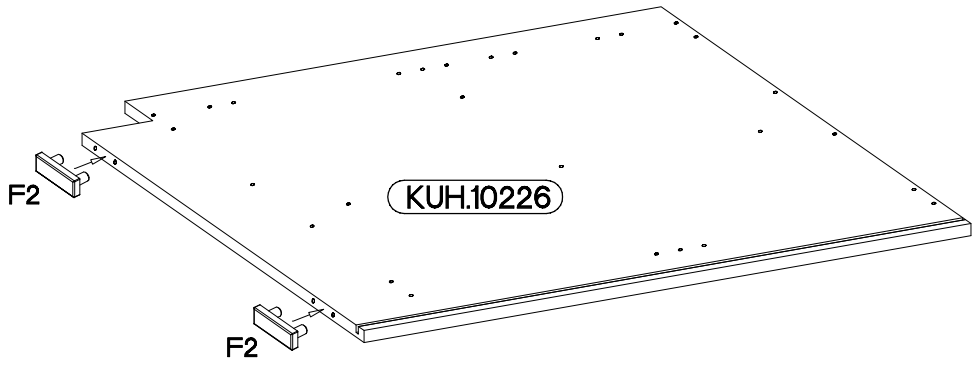
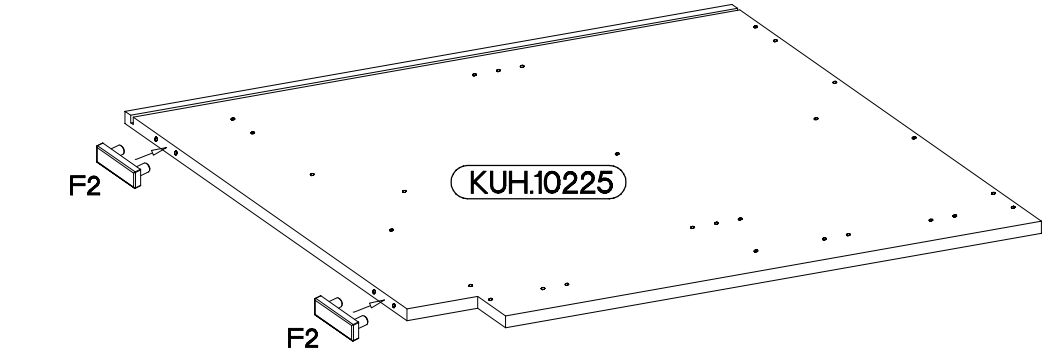
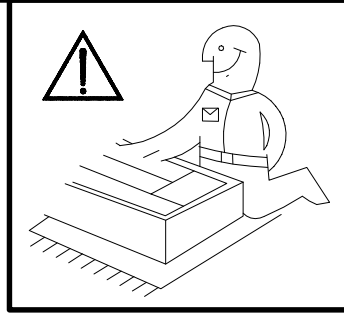


A	B	E1	E9	F2	HG	J
8	8	8	2	4	2	4
O	P4	P5	P7	R3	S23	U
1	2	4	8-10	4	1	2



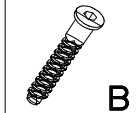
ISM-KUH-00928

6.5x48x16	±8x30mm	±35/0mm	±3.5x13mm
			
F2	A	HG	P5
4	8	2	4



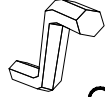
2

6,4 x 50mm



B

4



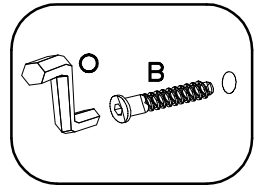
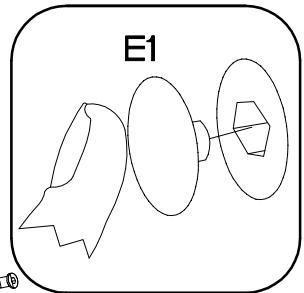
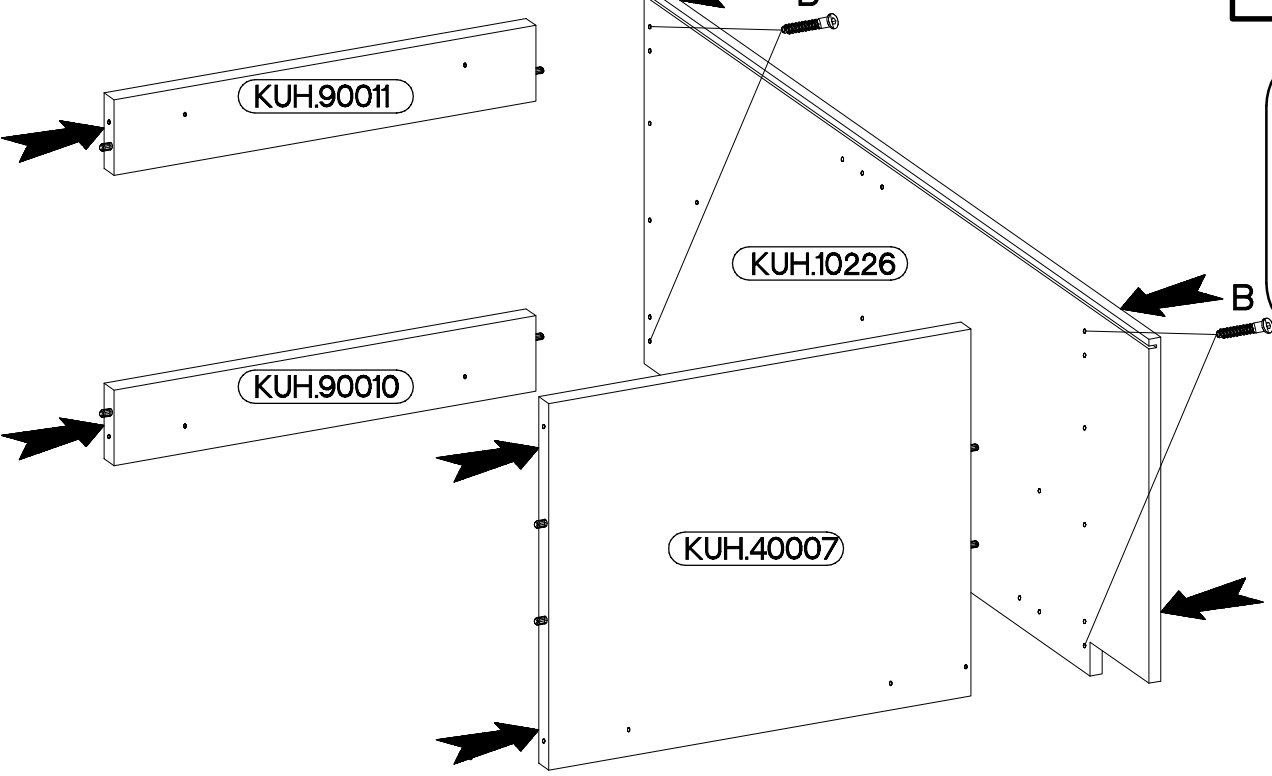
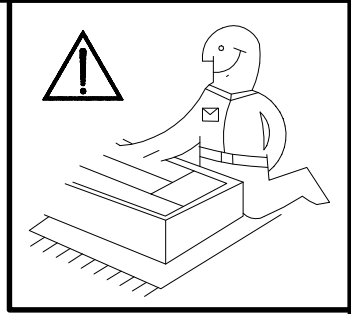
O

1



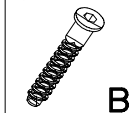
E1

4



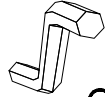
3

6,4 x 50mm



B

4



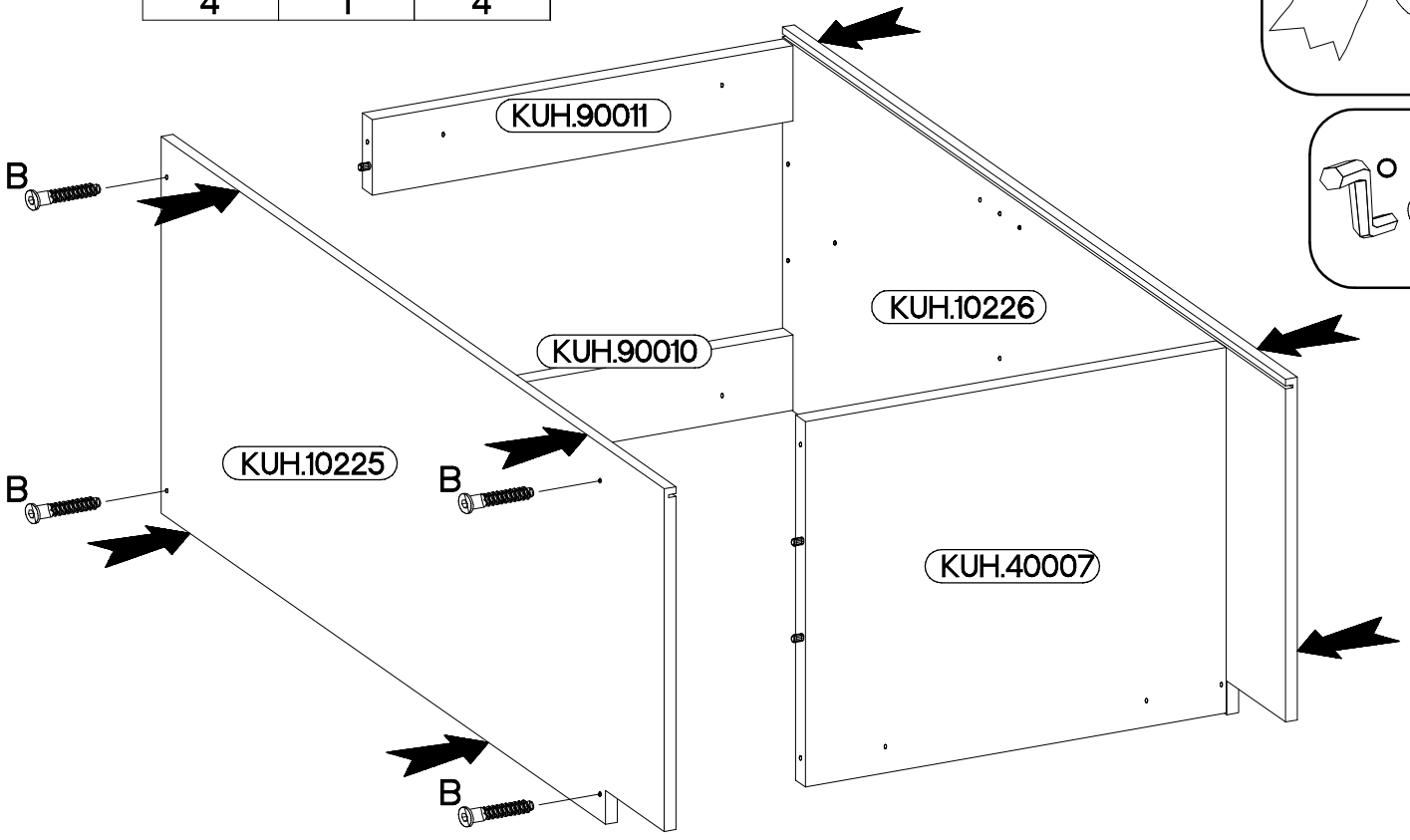
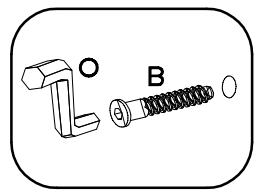
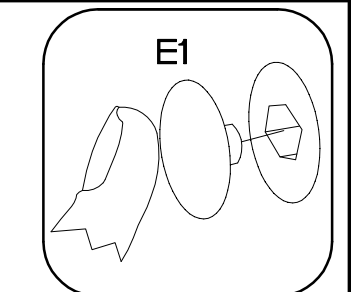
O

1

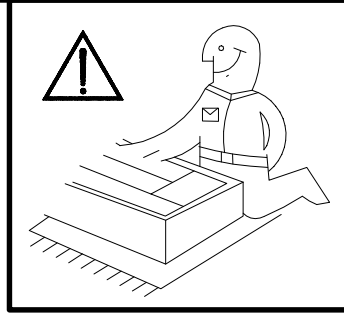
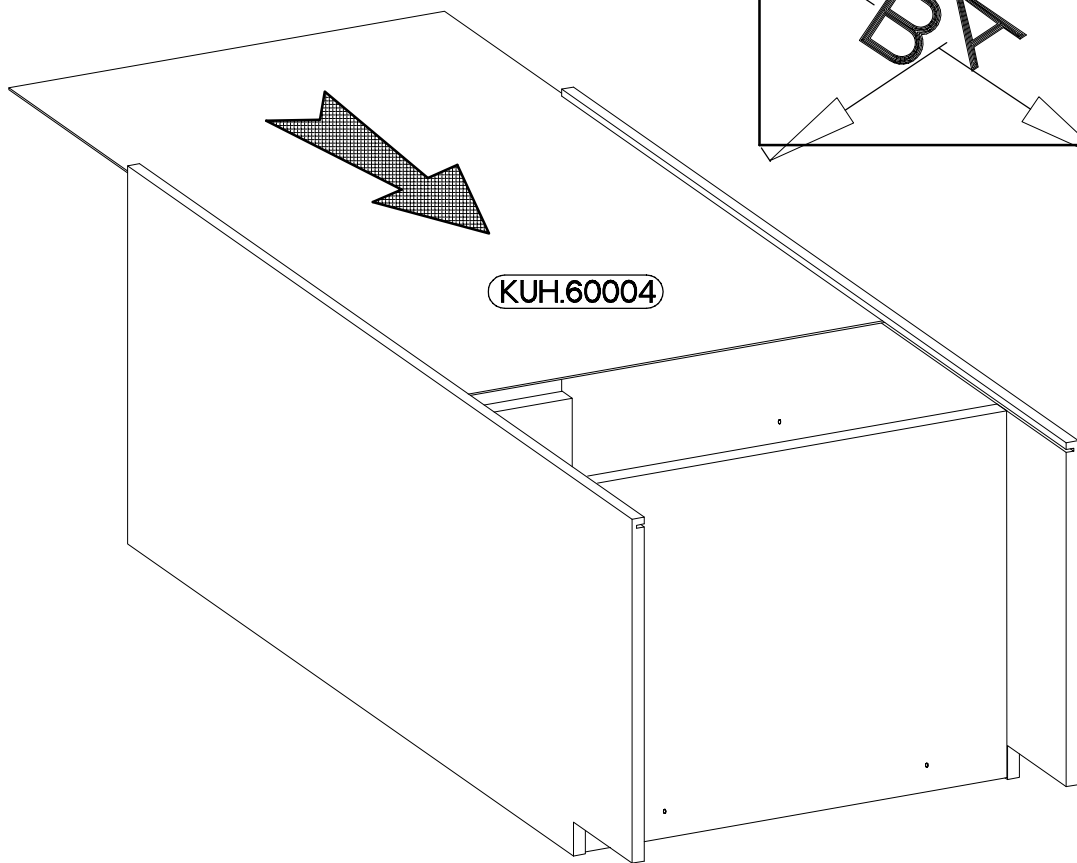


E1


4

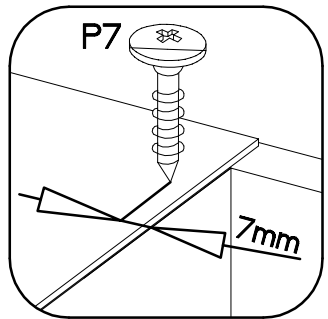
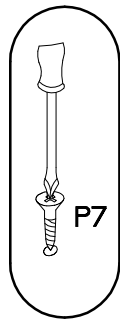
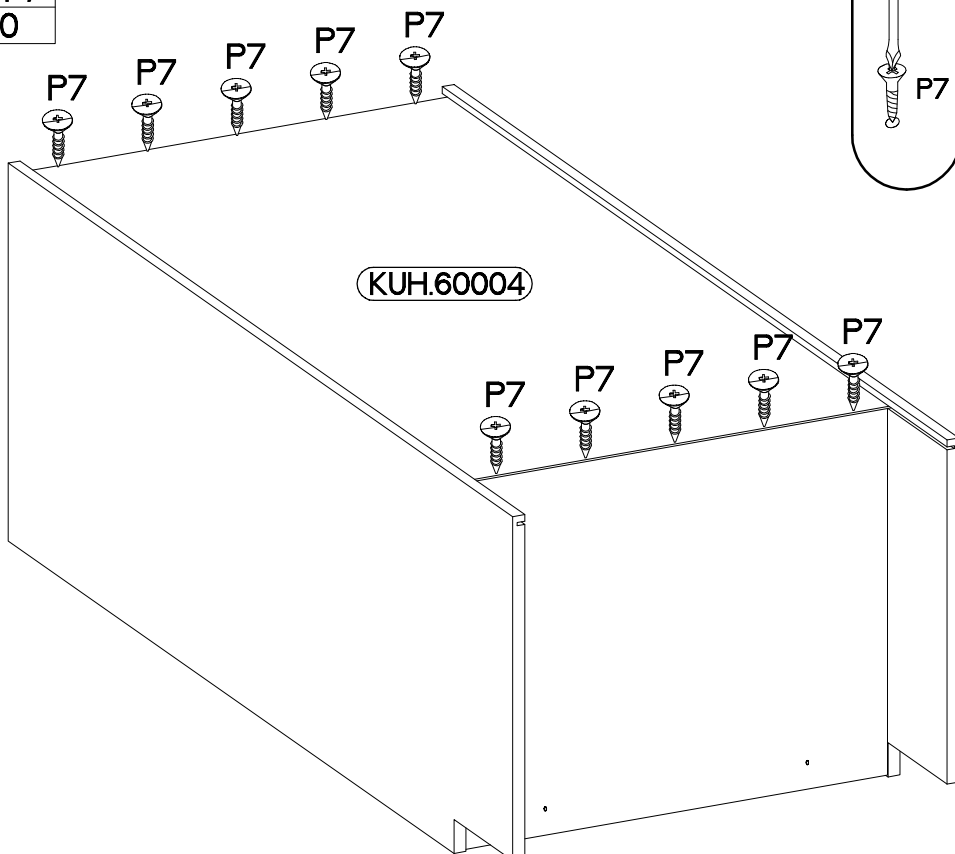


4



5

$\varnothing 3.0 \times 20 \text{mm}$

 P7
 8-10



6

4.0x45mm



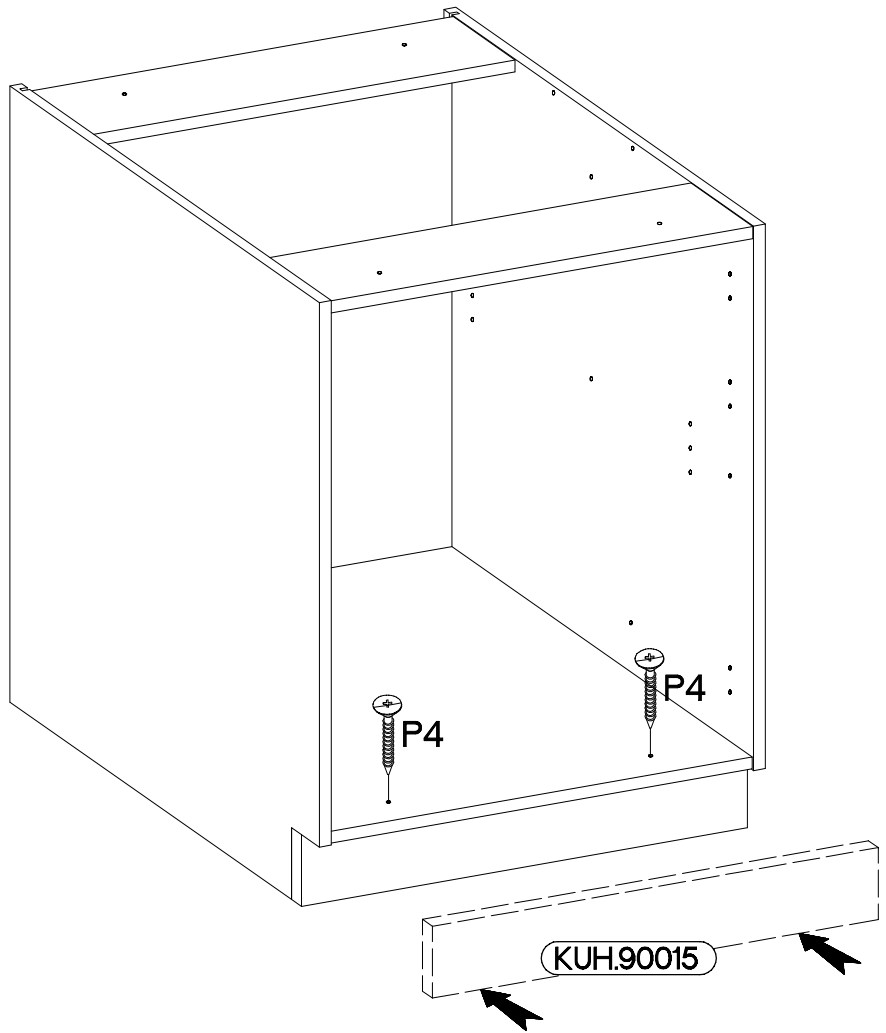
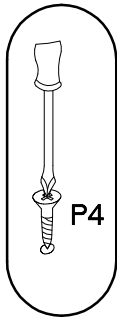
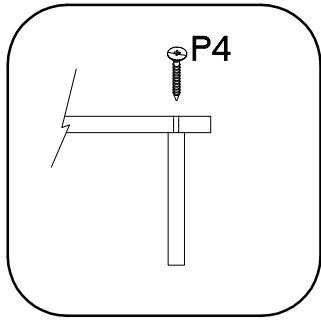
P4

2



E9

2



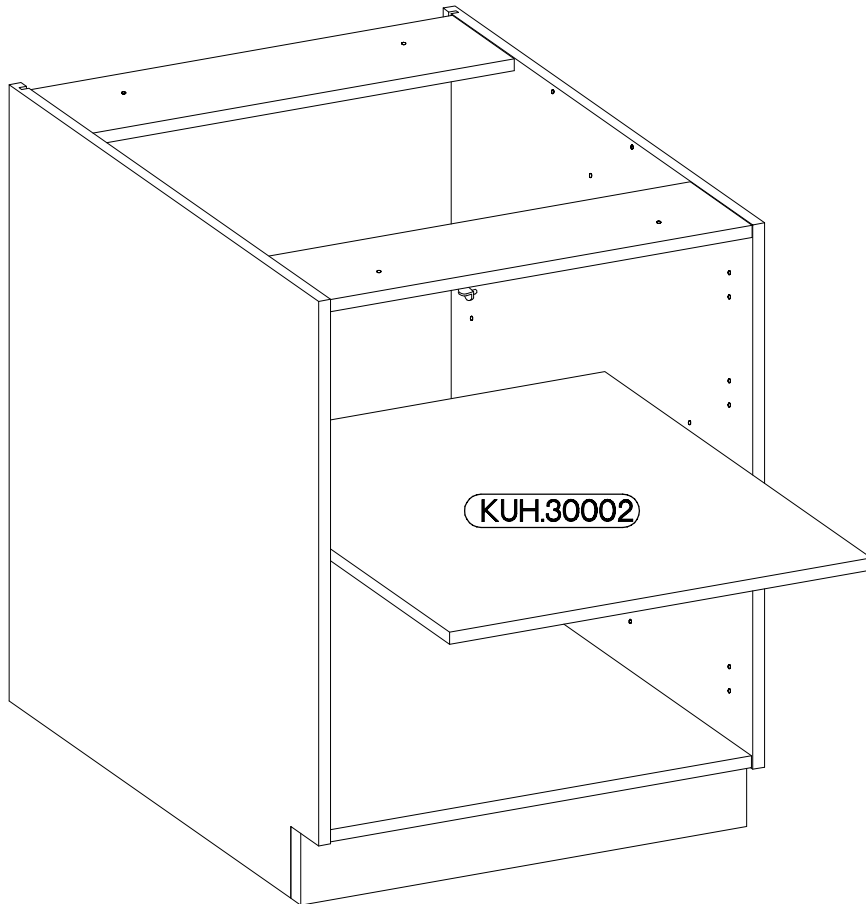
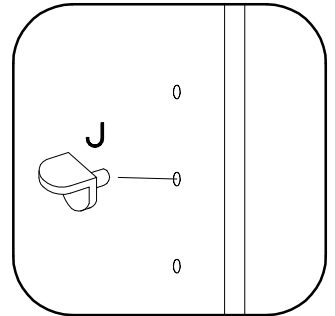
7

5/19mm



J

4



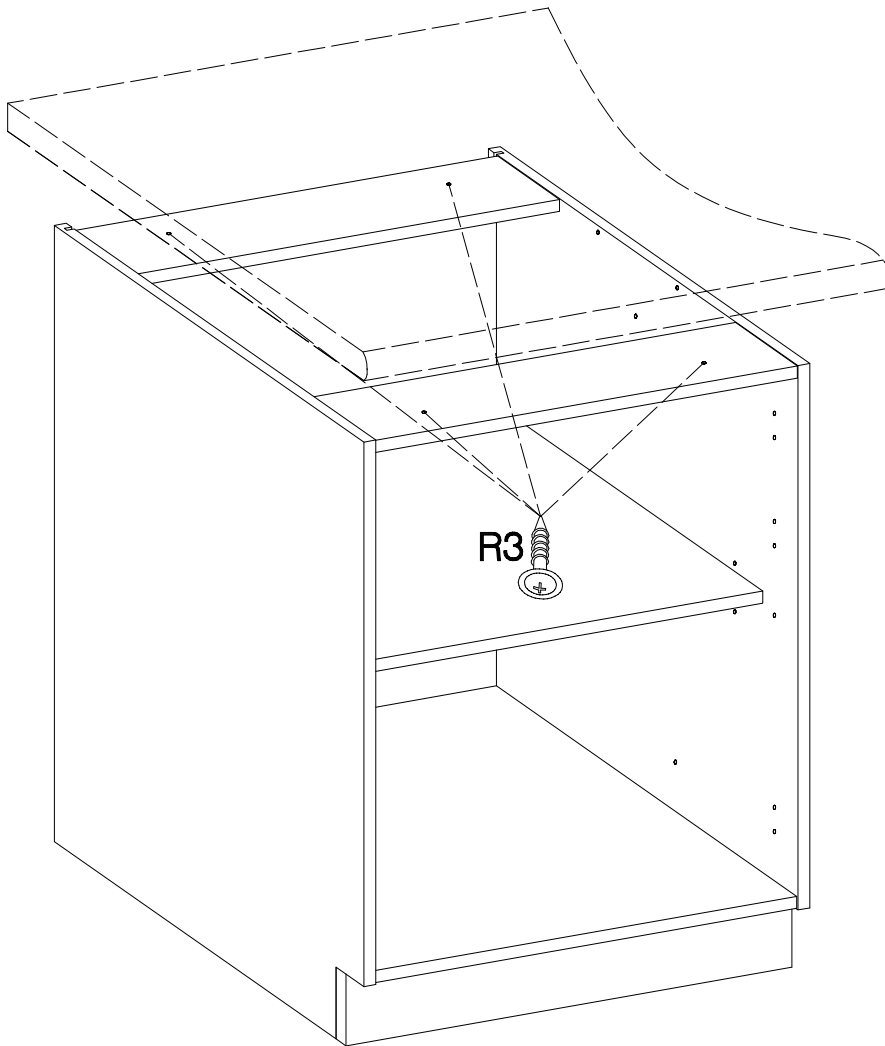
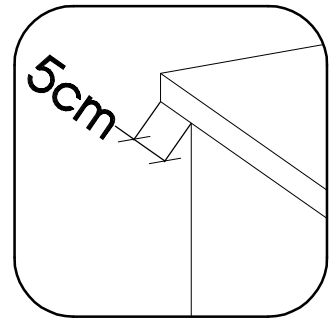
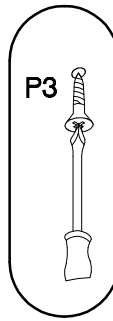
8

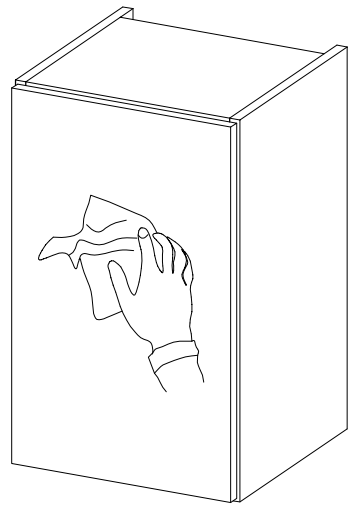
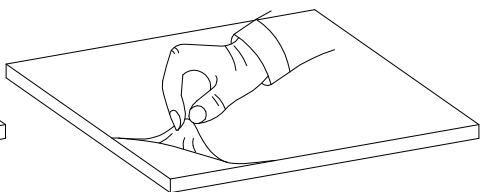
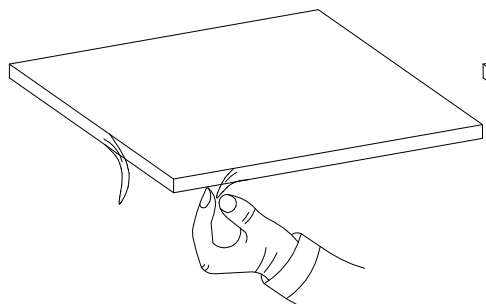
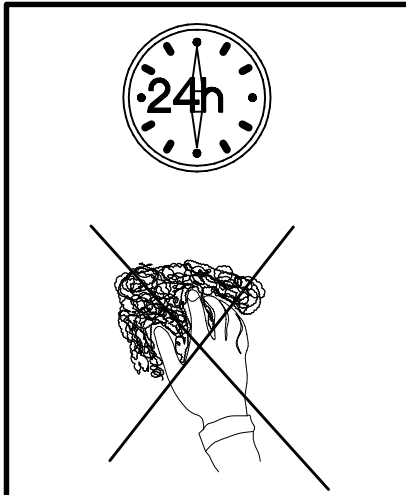
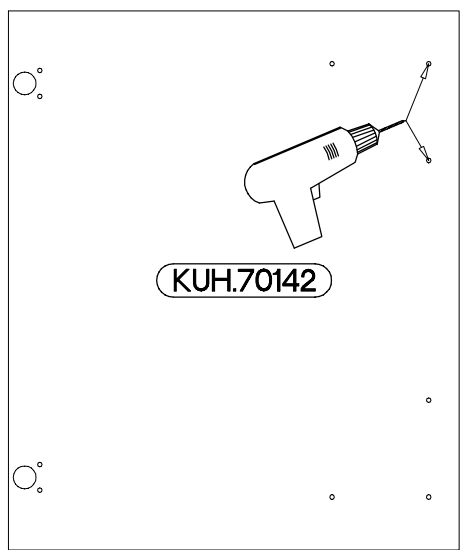
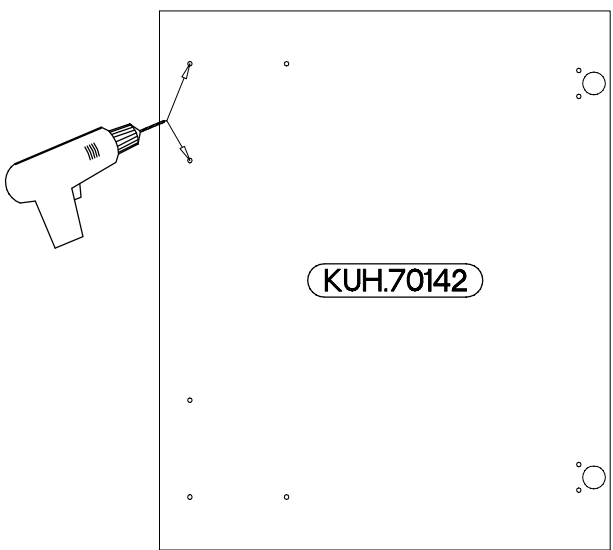
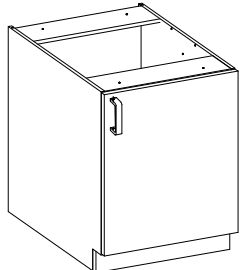
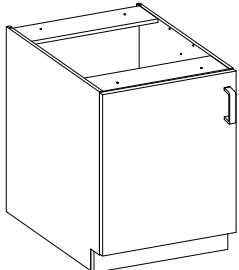
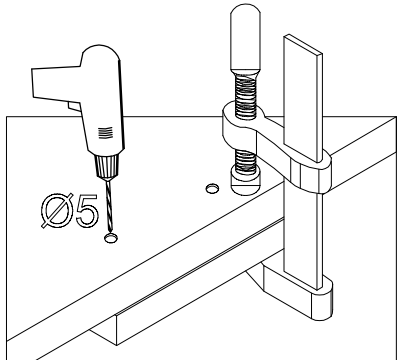
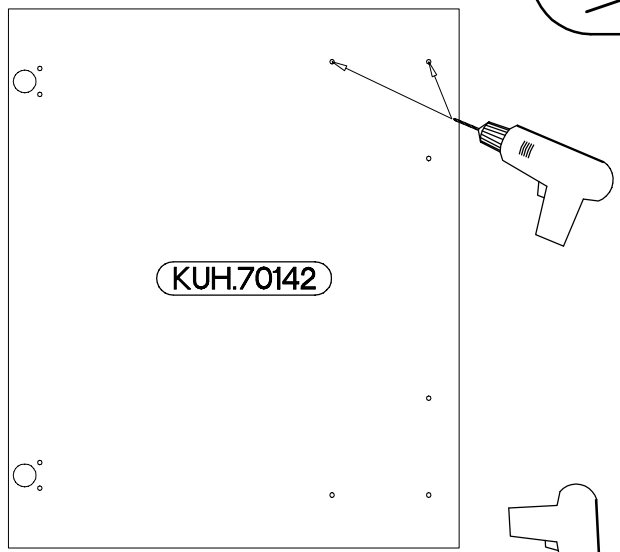
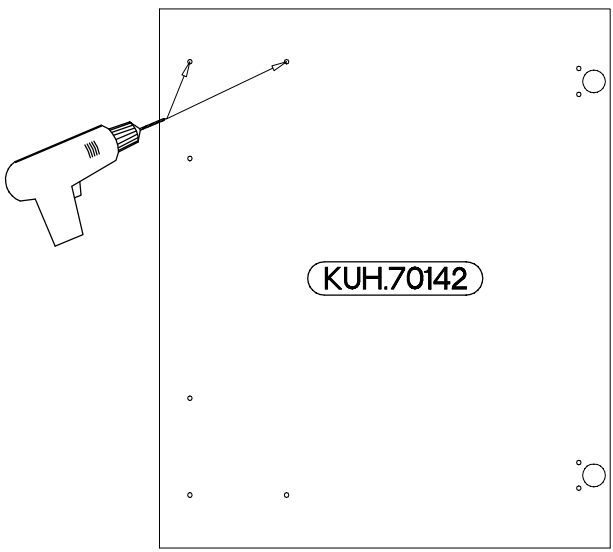
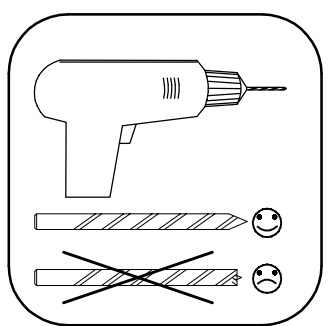
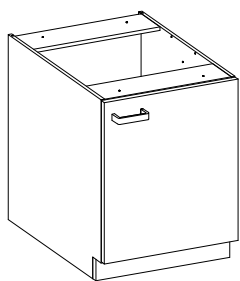
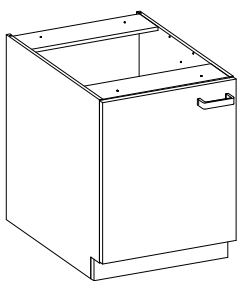
4.0x35mm


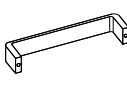


R3

4





M4x22mm	
	
U	S23
2	1

