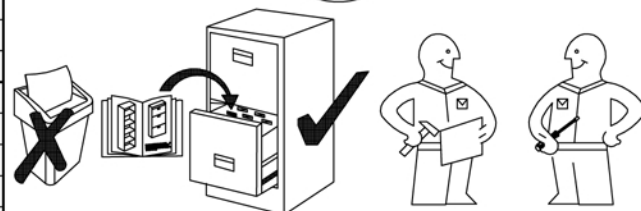
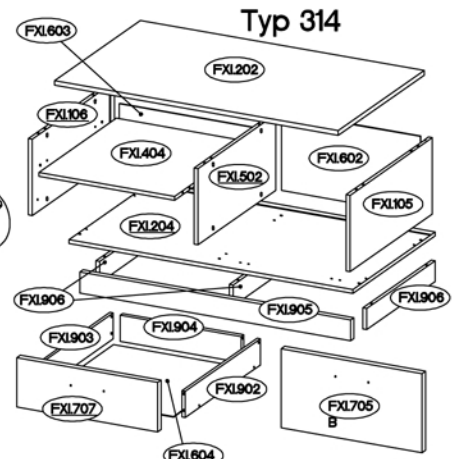
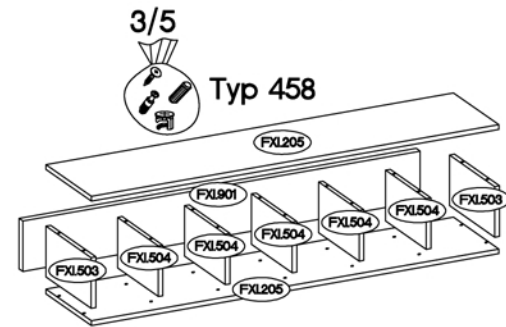
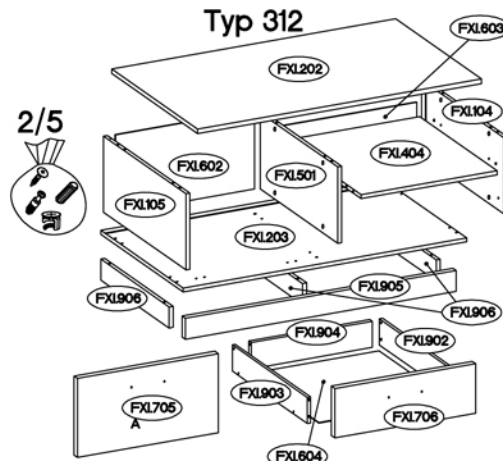
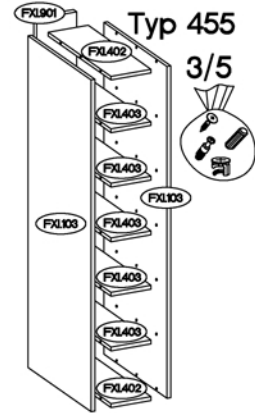
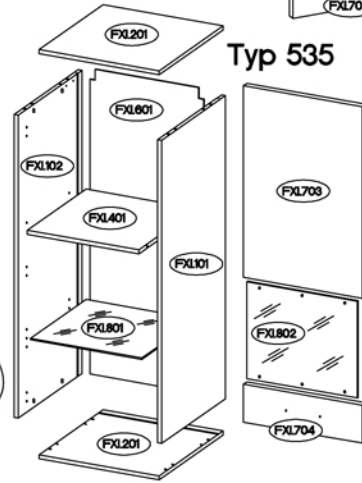
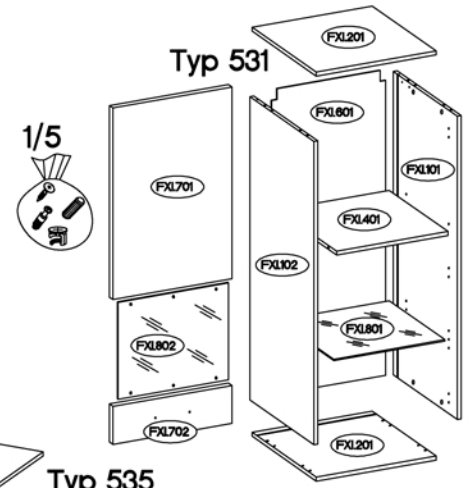
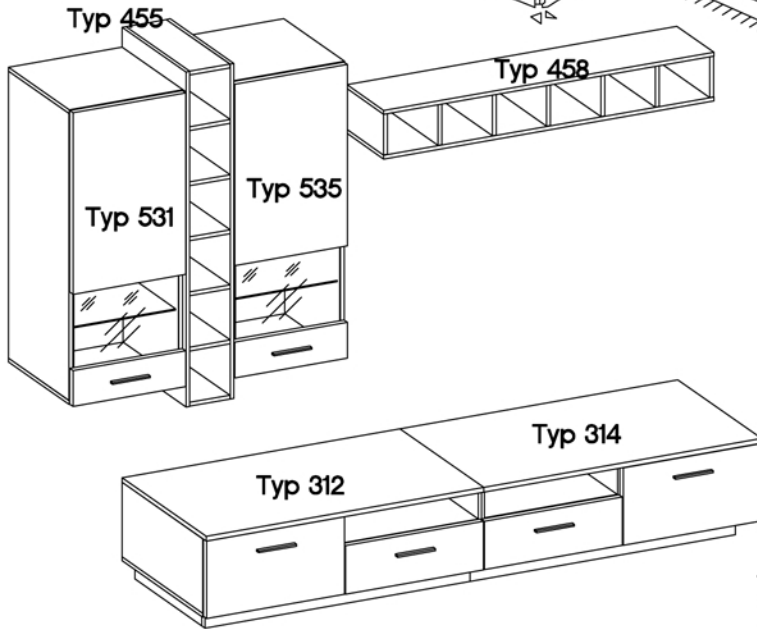
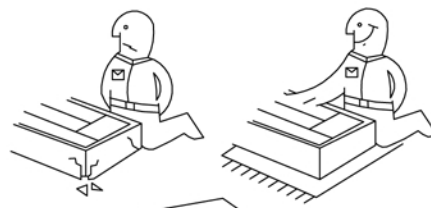


FLINT



| Coli | Typ | Ersatzteil Nummer | Dimension |
|------|-----|-------------------|--------------|
| 1/5 | 531 | FXL101 | 1120x288x15 |
| | | FXL102 | 1120x288x15 |
| | | FXL201 x2 | 450x289x15 |
| | | FXL401 | 418x265x15 |
| | | FXL601 | 1129x427x2,5 |
| | | FXL701 | 708x446x16 |
| | | FXL702 | 140x446x16 |
| | | FXL801 | 417x251x5 |
| | | FXL802 | 358x414x4 |

| Coli | Typ | Ersatzteil Nummer | Dimension |
|------|-----|-------------------|--------------|
| 2/5 | 535 | FXL101 | 1120x288x15 |
| | | FXL102 | 1120x288x15 |
| | | FXL201 x2 | 450x289x15 |
| | | FXL401 | 418x265x15 |
| | | FXL601 | 1129x427x2,5 |
| | | FXL703 | 708x446x16 |
| | | FXL704 | 140x446x16 |
| | | FXL801 | 417x251x5 |
| | | FXL802 | 358x414x4 |

| Coli | Typ | Ersatzteil Nummer | Dimension |
|------|-----|-------------------|---------------|
| 3/5 | 455 | FXL103 x2 | 1307x304x15 |
| | | FXL402 x2 | 160x303x15 |
| | | FXL403 x5 | 160x286x15 |
| | 458 | FXL901 | 1275x159,5x15 |
| | | FXL205 x2 | 1307x175x15 |
| | | FXL503 x2 | 160x174x15 |
| | | FXL504 x5 | 160x157x15 |
| | | FXL901 | 1275x159,5x15 |

| Coli | Typ | Ersatzteil Nummer | Dimension |
|------|-----|-------------------|-------------|
| 4/5 | 312 | FXL202 | 1100x400x18 |
| | | FXL501 | 291x362x15 |
| | | FXL705 | 546x302x16 |
| | | FXL706 | 189x546x16 |
| | | FXL905 | 1050x80x15 |
| | | FXL906 x3 | 80x319x15 |
| 4/5 | 314 | FXL202 | 1100x400x18 |
| | | FXL502 | 291x362x15 |
| | | FXL705 | 546x302x16 |
| | | FXL707 | 189x546x16 |
| | | FXL905 | 1050x80x15 |
| | | FXL906 x3 | 80x319x15 |

| Coli | Typ | Ersatzteil Nummer | Dimension |
|------|-----|-------------------|--------------|
| 5/5 | 312 | FXL104 | 291x384x15 |
| | | FXL105 | 291x384x15 |
| | | FXL203 | 1100x384x15 |
| | | FXL404 | 526,5x361x15 |
| | | FXL602 | 300x538x2,5 |
| | | FXL603 | 181x538x2,5 |
| 5/5 | 314 | FXL105 | 291x384x15 |
| | | FXL106 | 291x384x15 |
| | | FXL204 | 1100x384x15 |
| | | FXL404 | 526,5x361x15 |
| | | FXL602 | 300x538x2,5 |
| | | FXL603 | 181x538x2,5 |
| | | FXL604 | 354x490x2,5 |
| | | FXL604 | 354x490x2,5 |

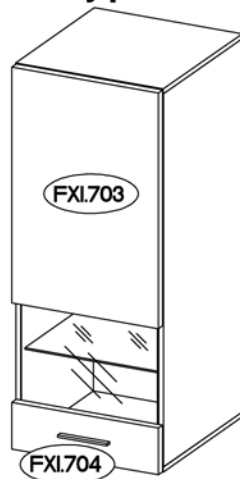
FLINT

Typ 531/535

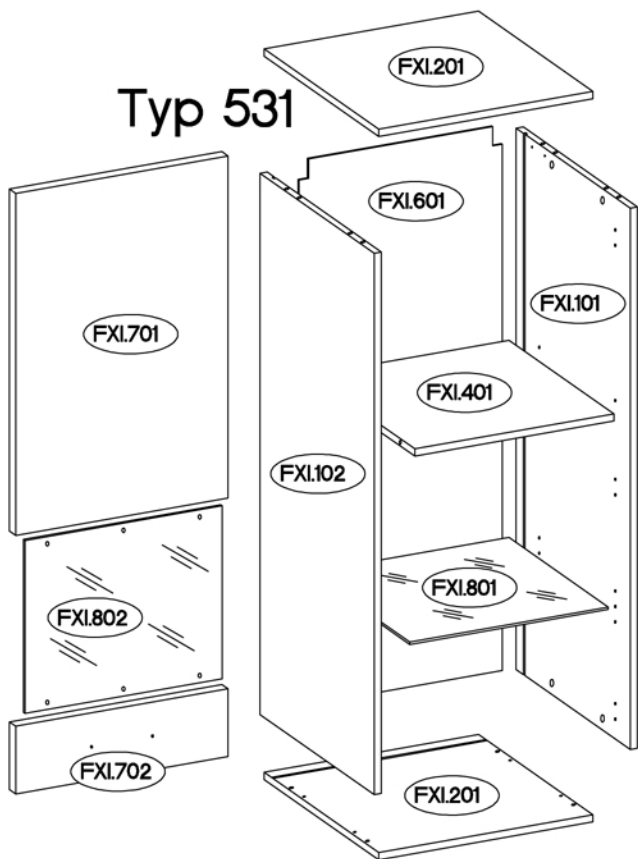
Typ 531



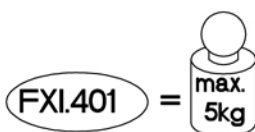
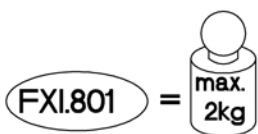
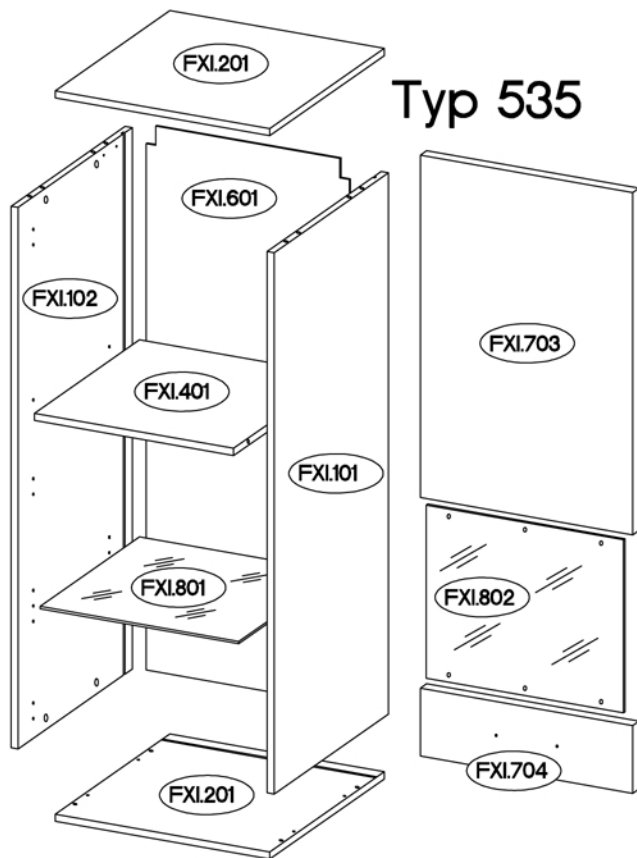
Typ 535



Typ 531




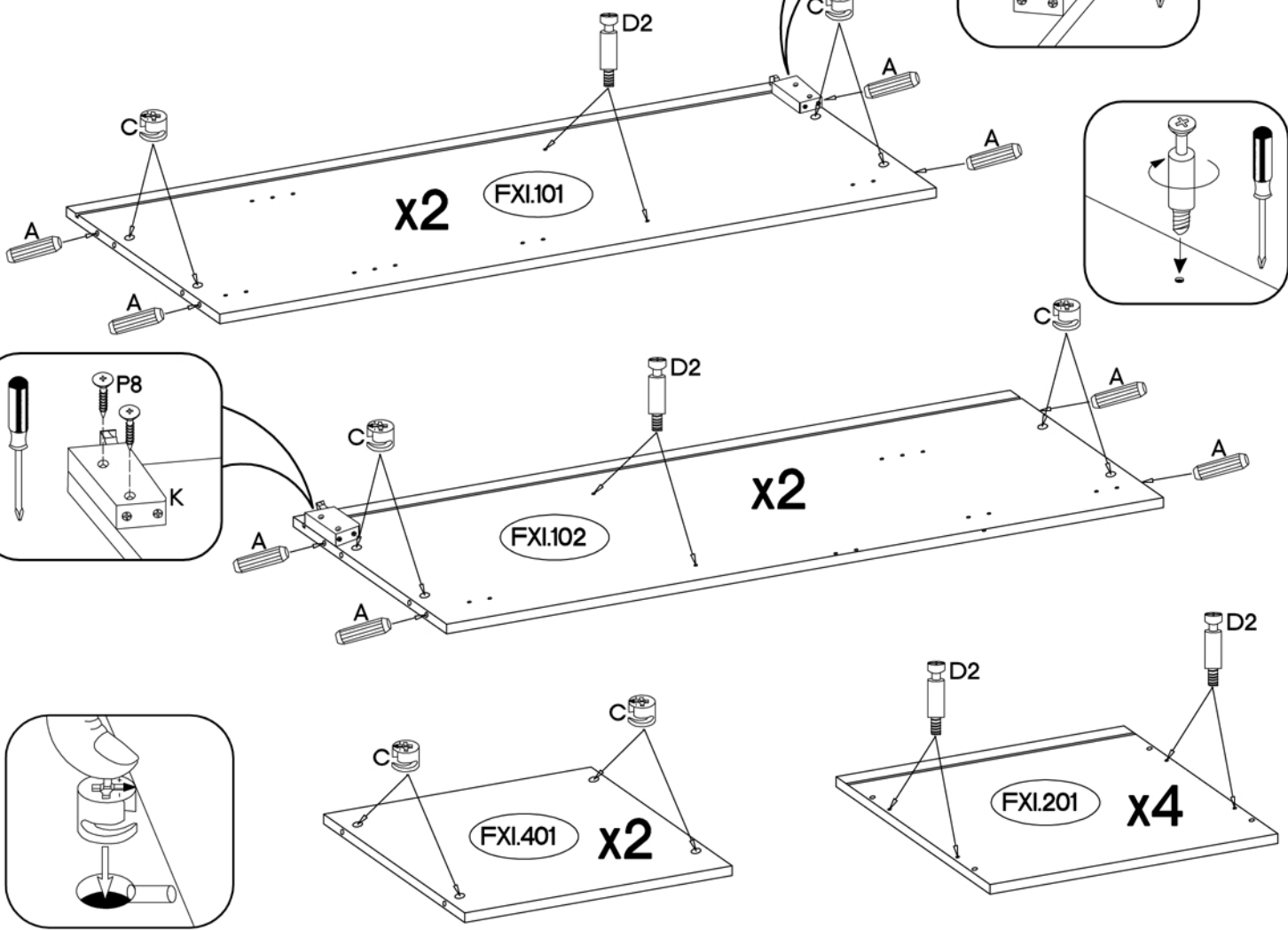
Typ 535



| | | | | | | | | | |
|-------------------|--------------------|---------------------|------------------|--------------------|---------------------|------------------|--------------------|---------------------|---------------------|
| | +4.0x25mm R | +4.0x16mm P1 | +7/4mm J7 | J12 | +3.0x20mm P7 | E | 6.5/68mm O4 | +10x50mm O7 | +4.0x30mm P8 |
| | 4 | 12 | 12 | 8 | 6 | 24 | 4 | 4 | 8 |
| +15/12mm C | +8x30mm A | L=20mm D2 | L | L=128mm S11 | +4.0x30mm R2 | +35/0mm G | H=0 H | +3.5x13mm P5 | K |
| 24 | 16 | 24 | 12 | 2 | 4 | 6 | 6 | 12 | 4 |

2

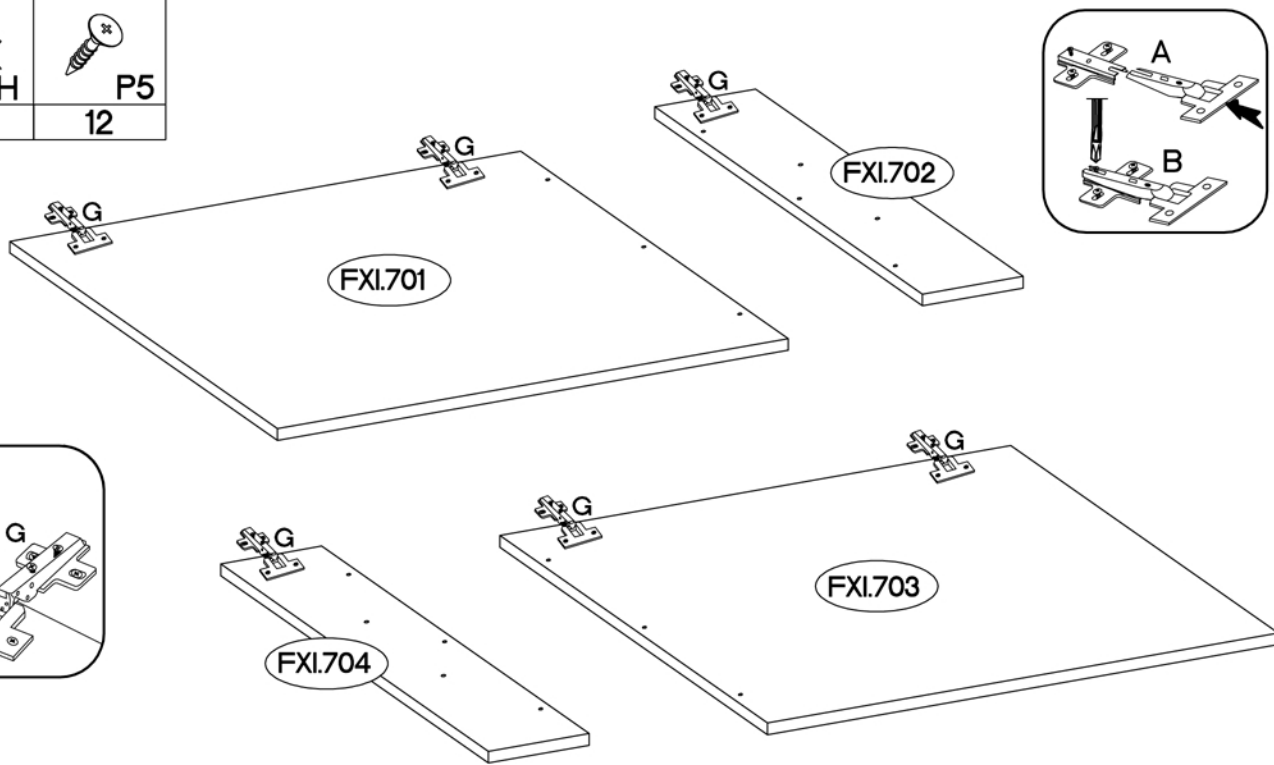
| | | | | |
|----------------------|---------------------|---------------------|------------------------|--|
| ±15/12mm C | ±8x30mm A | L=20mm D2 | ±4.0x30mm P8 |  K |
| 24 | 16 | 24 | 8 | 4 |





3

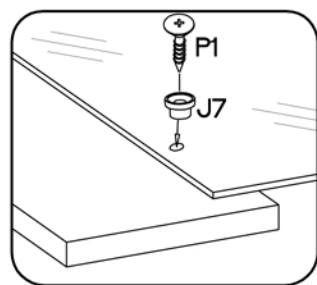
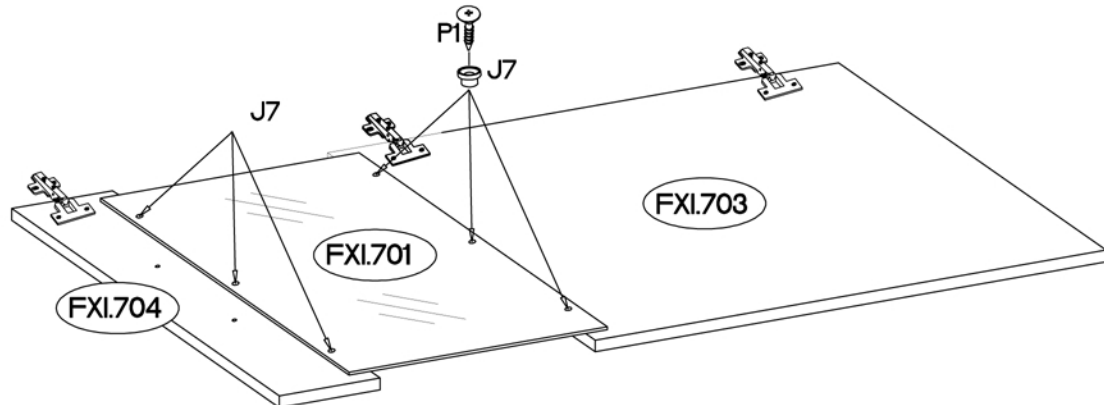
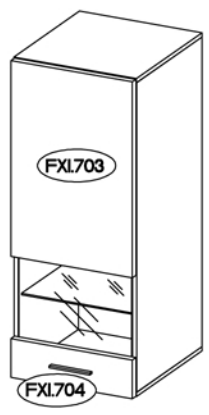
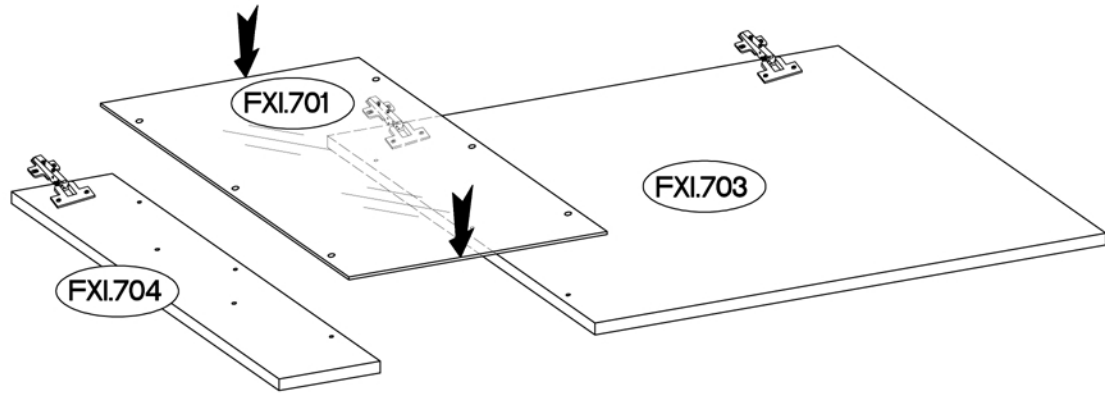
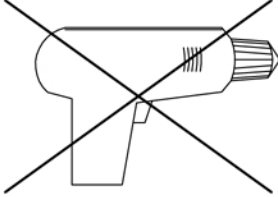
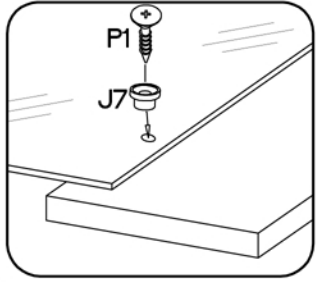
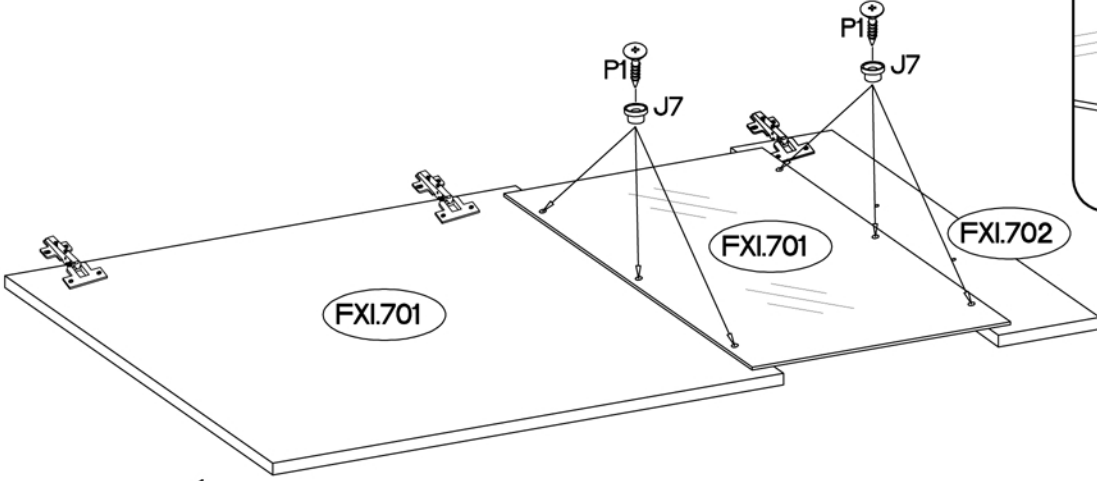
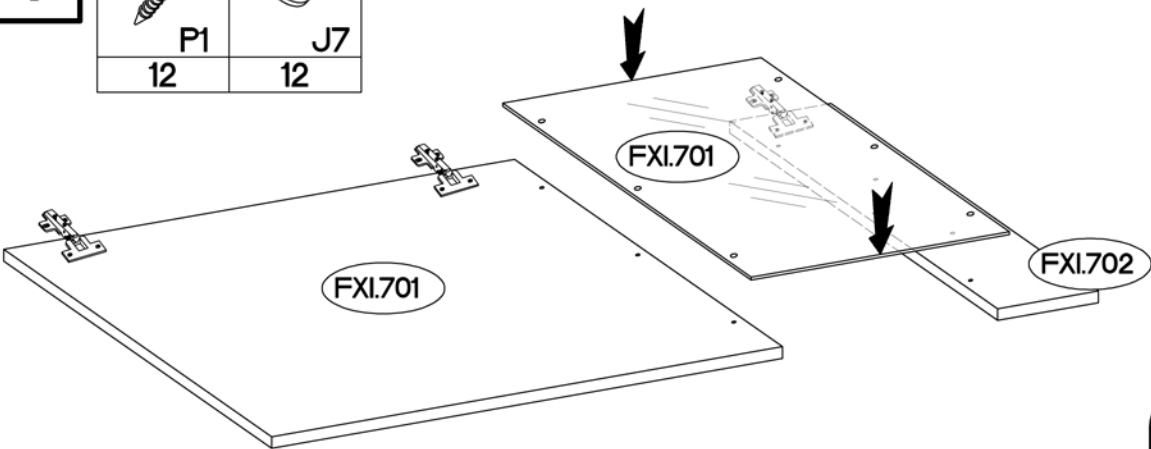
| | |
|-----------------|------------------------|
| H=0 H | ±3.5x13mm P5 |
| 6 | 12 |

| |
|---------------------|
| ±35/0mm G |
| 6 |

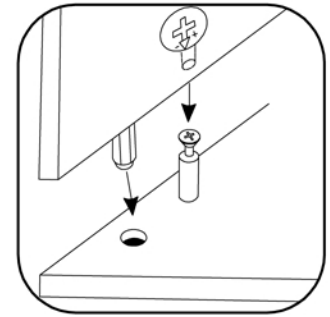
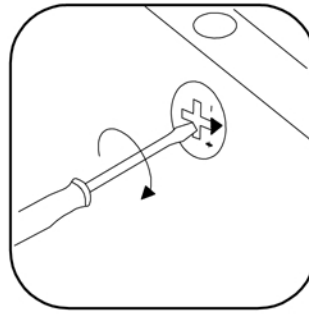
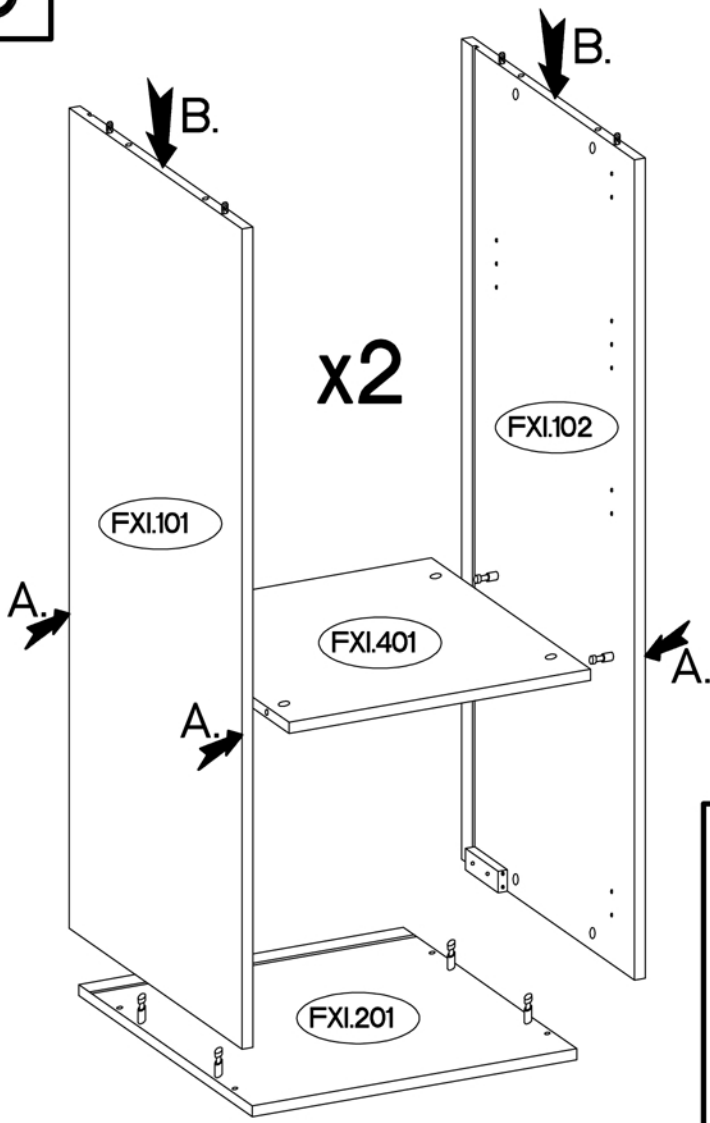


4

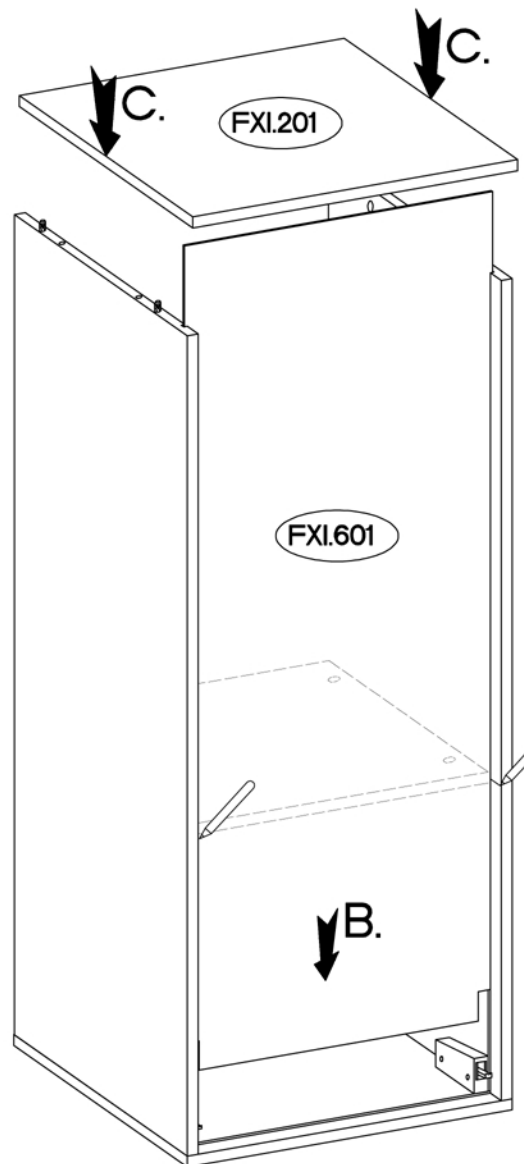
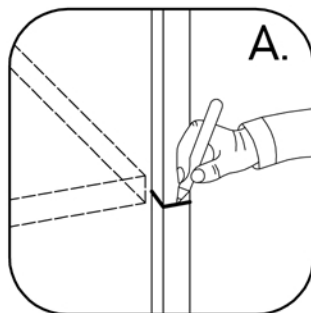
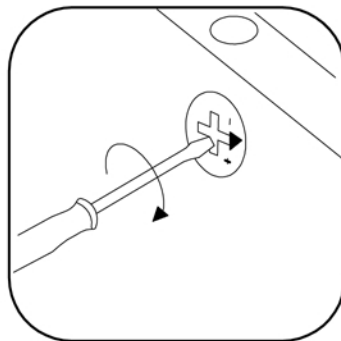
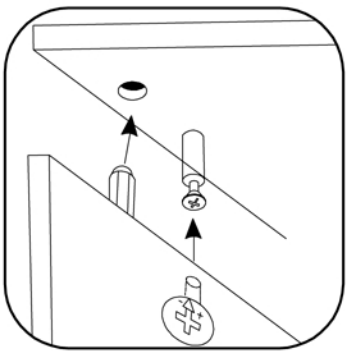
| | |
|--|--|
| ±4.0x16mm | ±7/4mm |
|  |  |
| P1 | J7 |
| 12 | 12 |



5

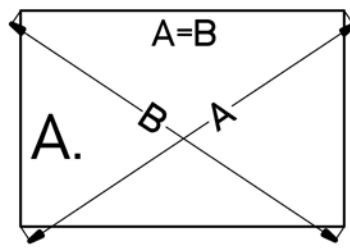
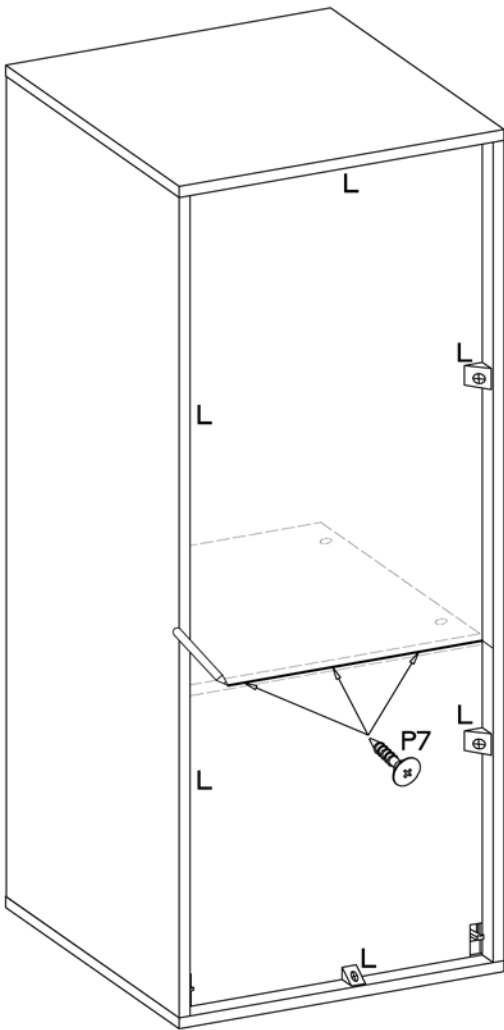



6

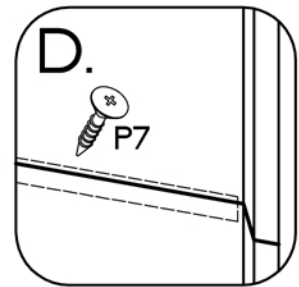
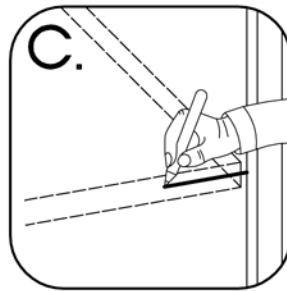
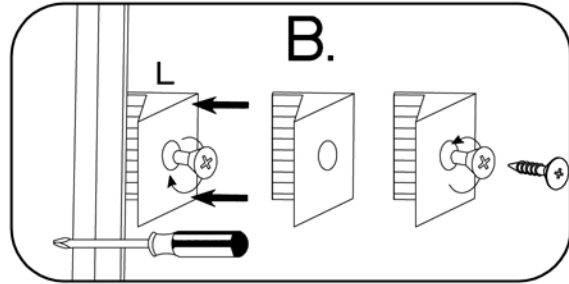


7

x2

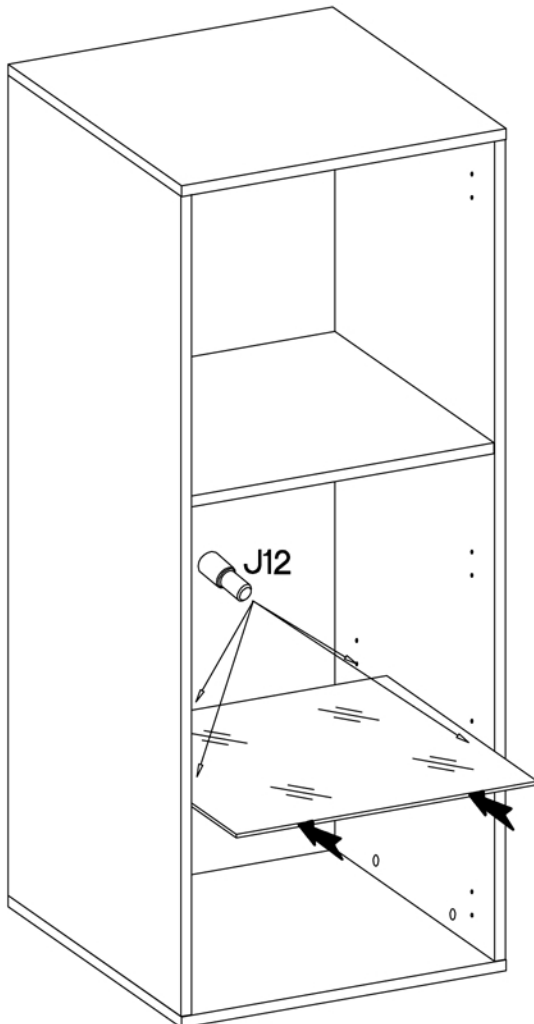




| | |
|--|-------------------------------|
|  | $\pm 3.0 \times 20 \text{mm}$ |
| L | P7 |
| 12 | 6 |

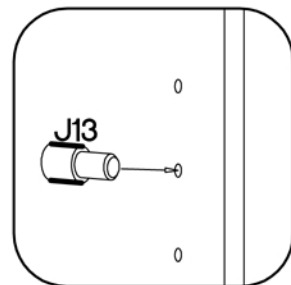
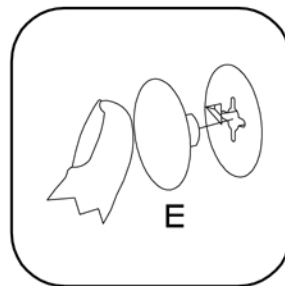




8

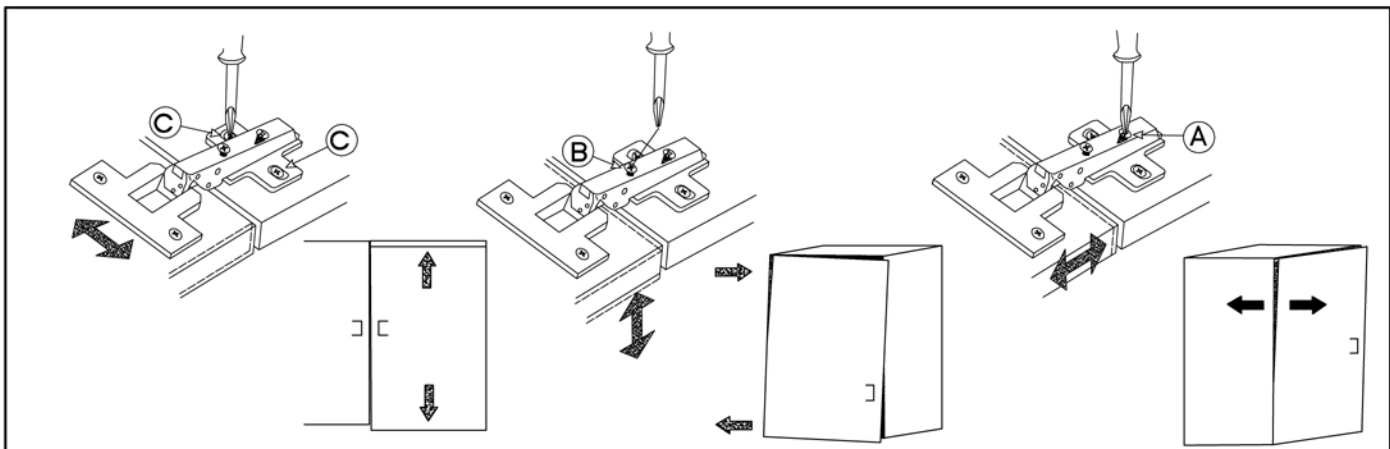
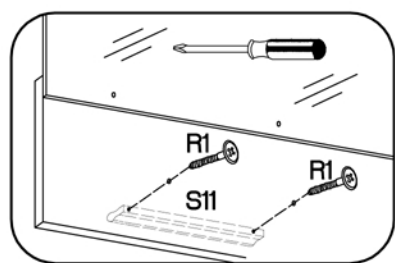
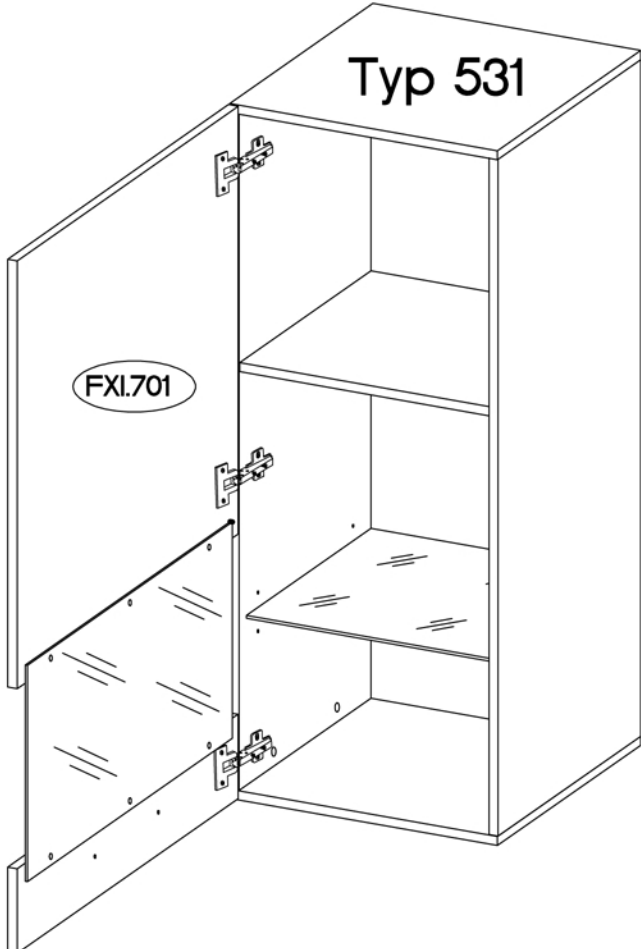
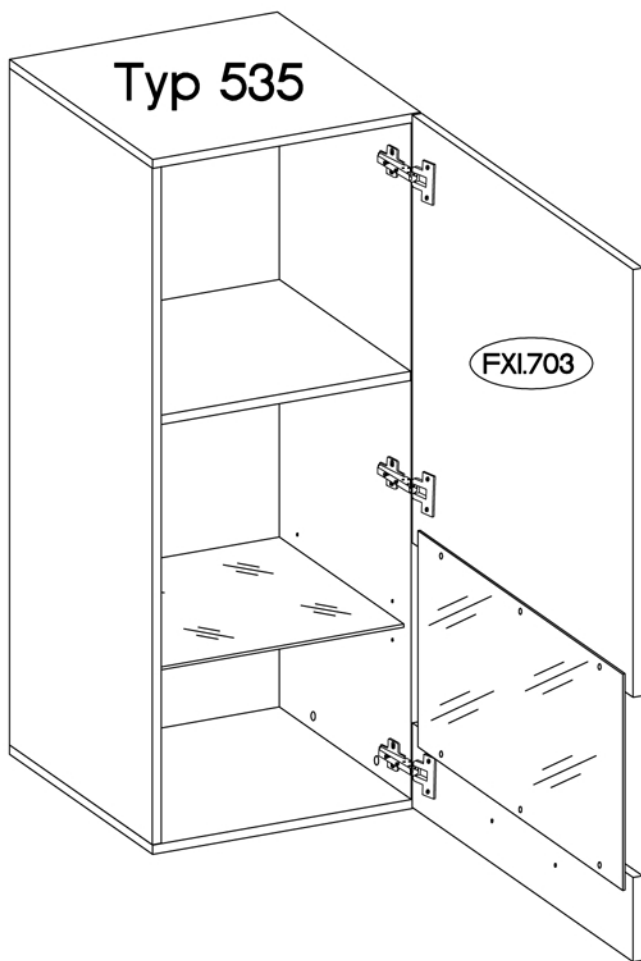
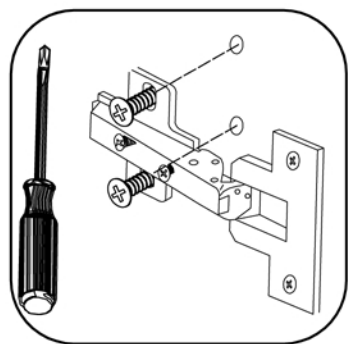
x2

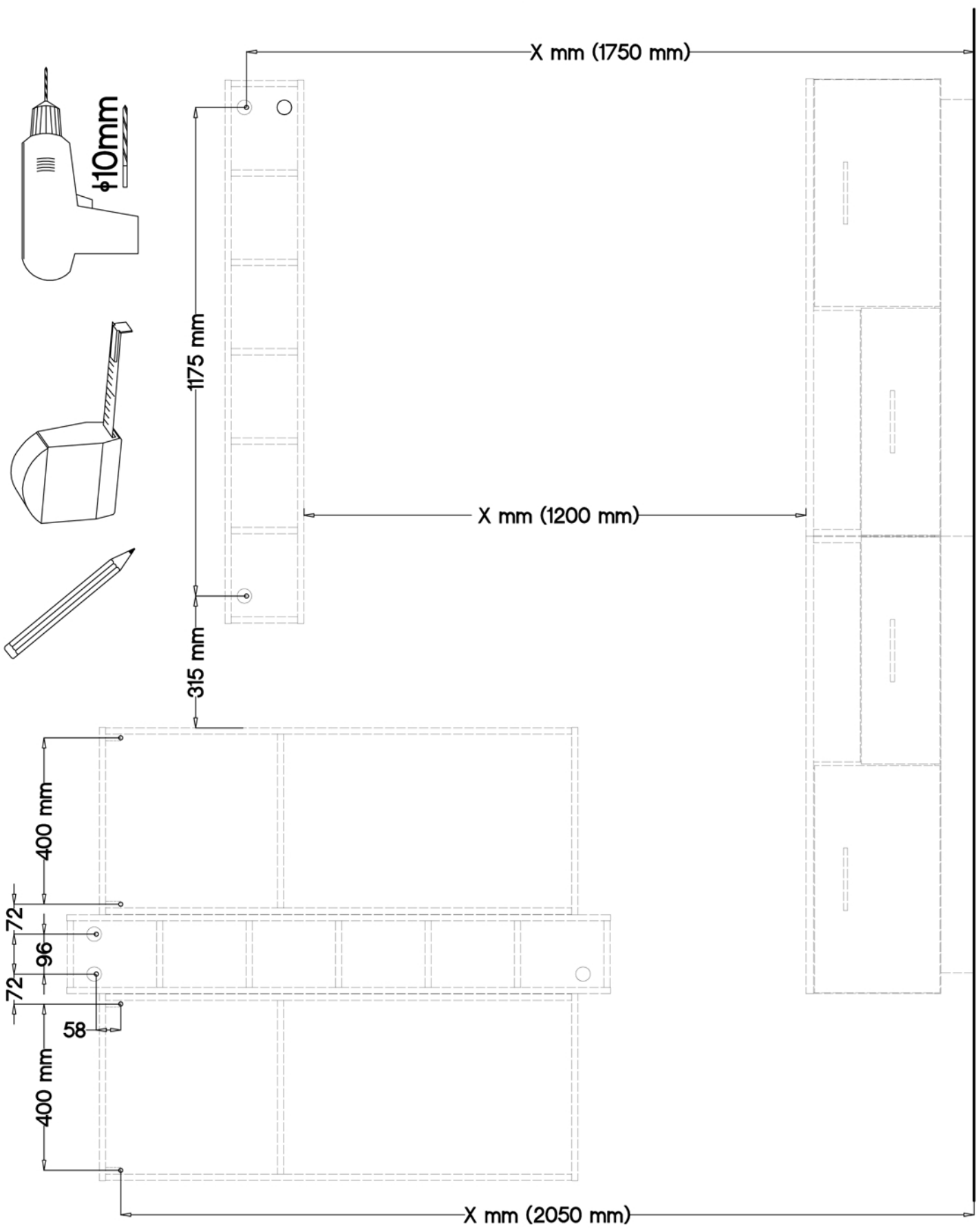
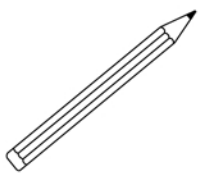
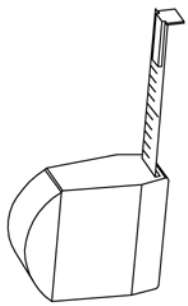
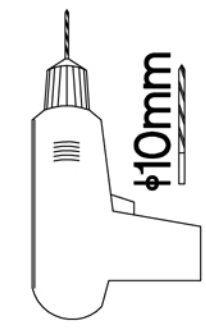





| | |
|---|---|
|  |  |
| J12 | E |
| 8 | 24 |

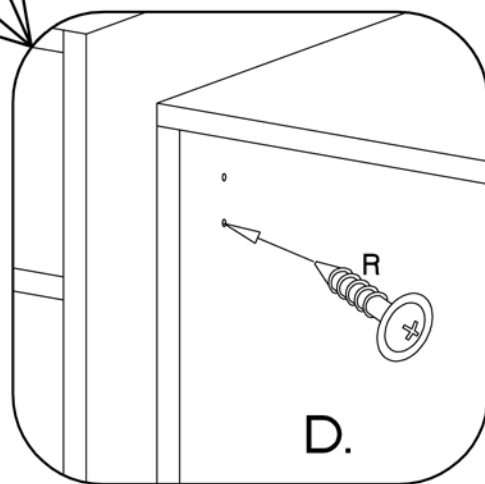
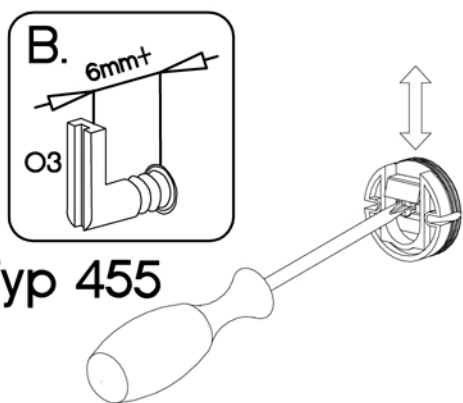
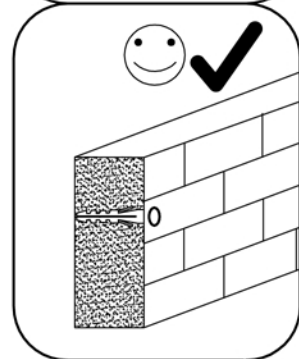
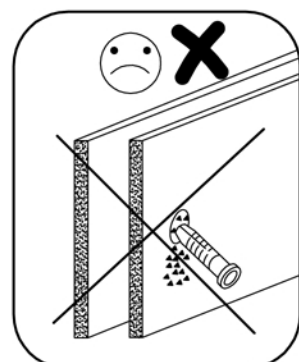
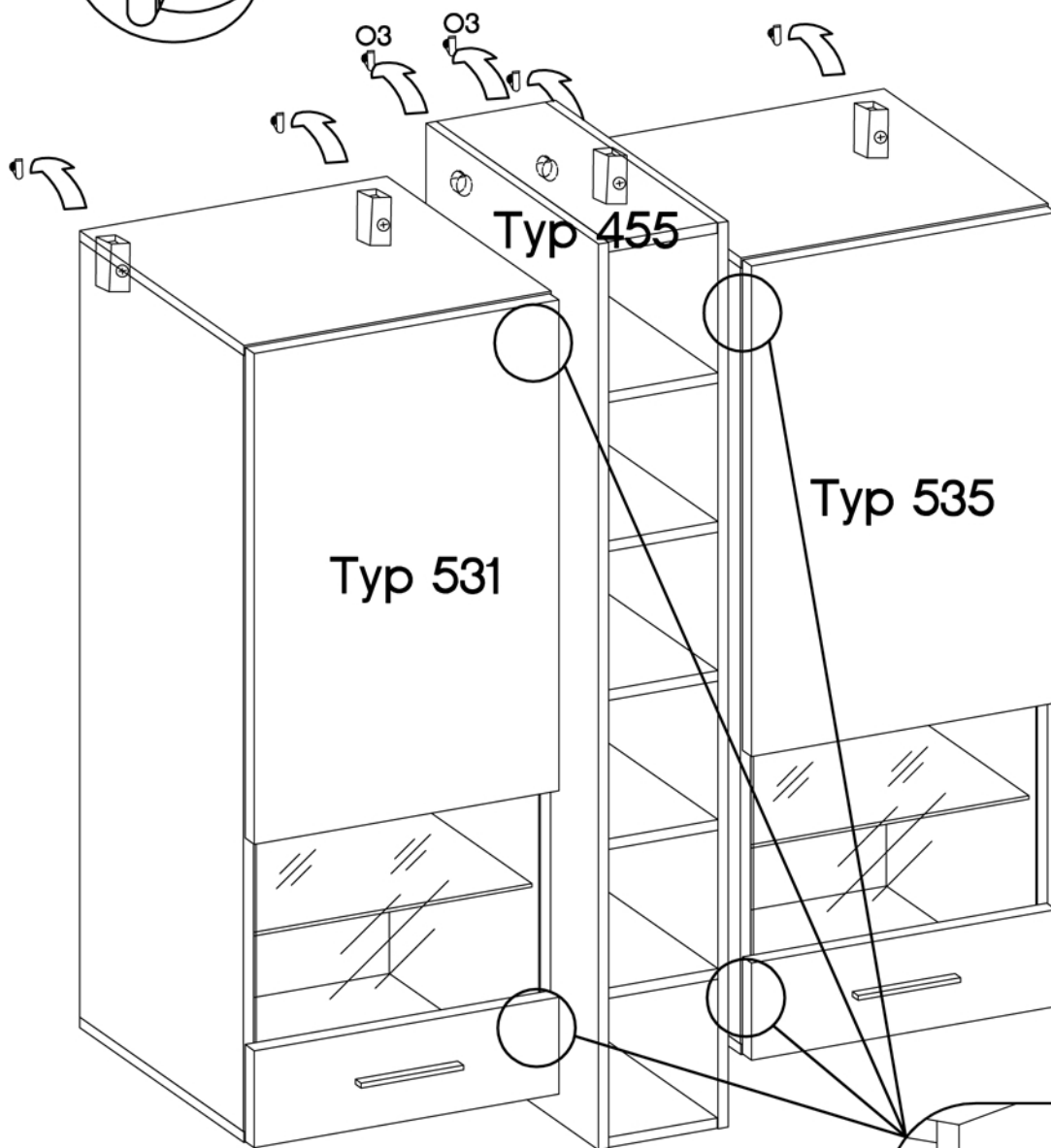
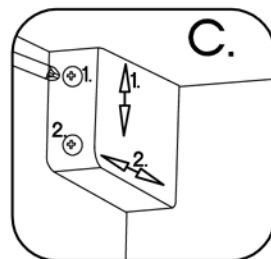
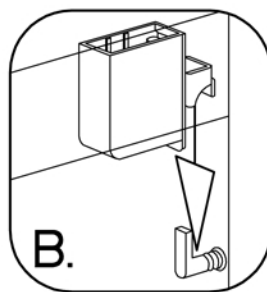
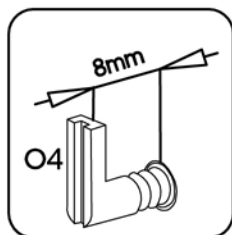


| | |
|--|--|
| L=128mm | 4.0x30mm |
|  |  |
| S11 | R2 |
| 2 | 4 |



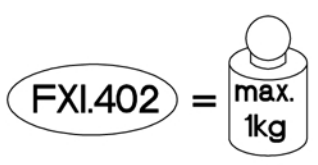
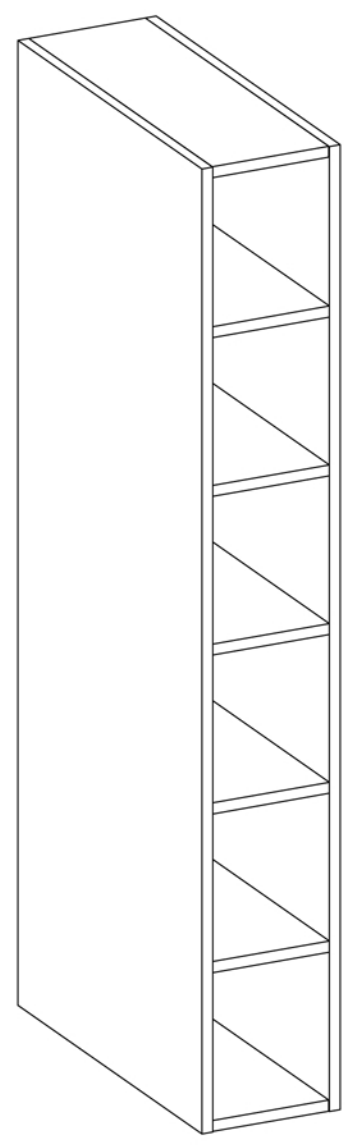
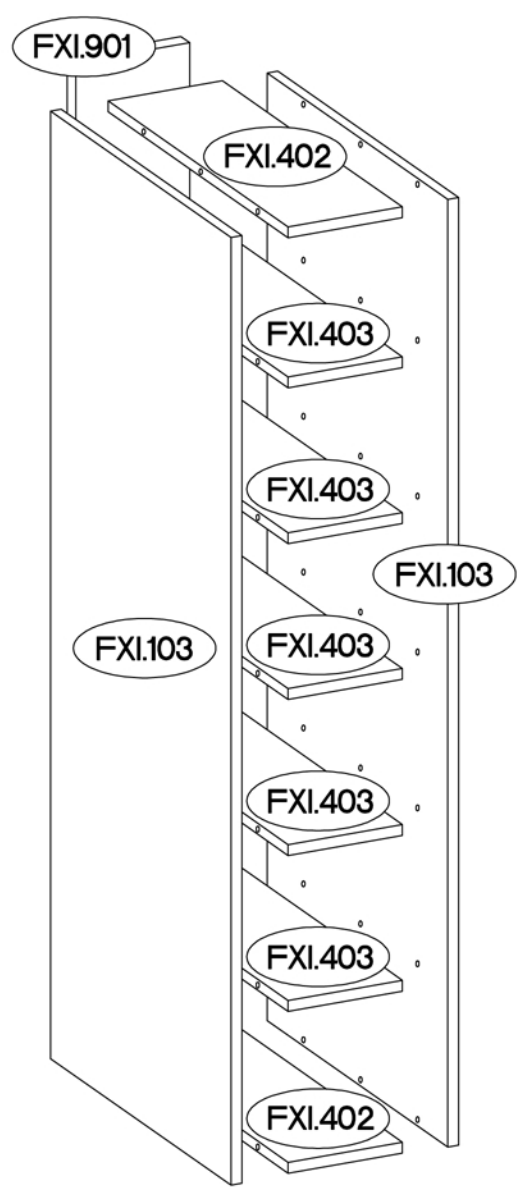


| +4.0x25mm | 6,5/68mm | +10x50mm |
|--|--|--|
|  |  |  |
| R | O4 | O7 |
| 4 | 4 | 4 |















FLINT

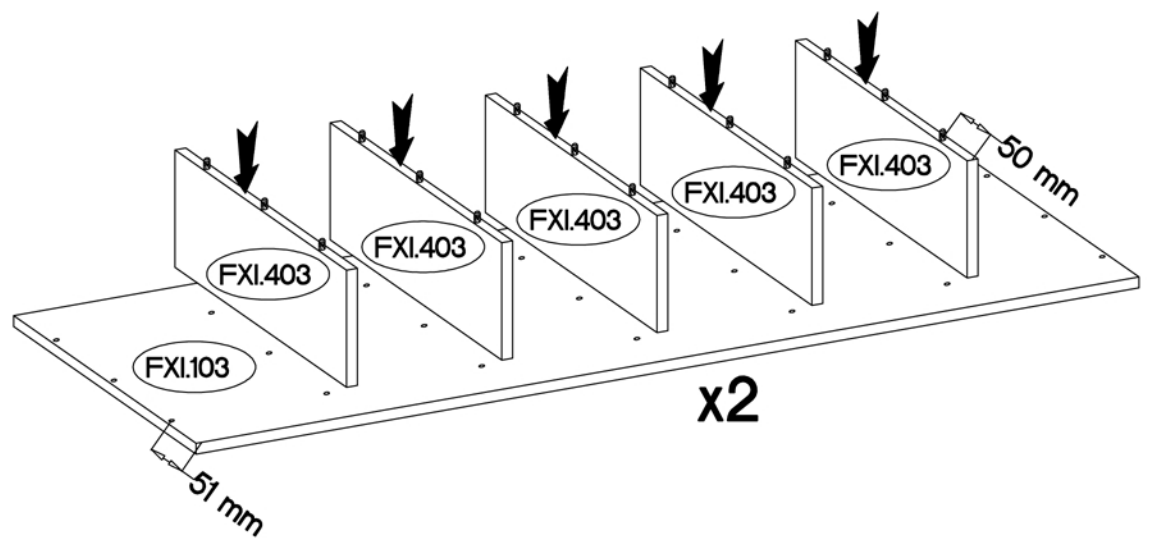
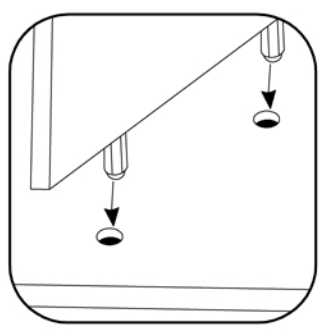
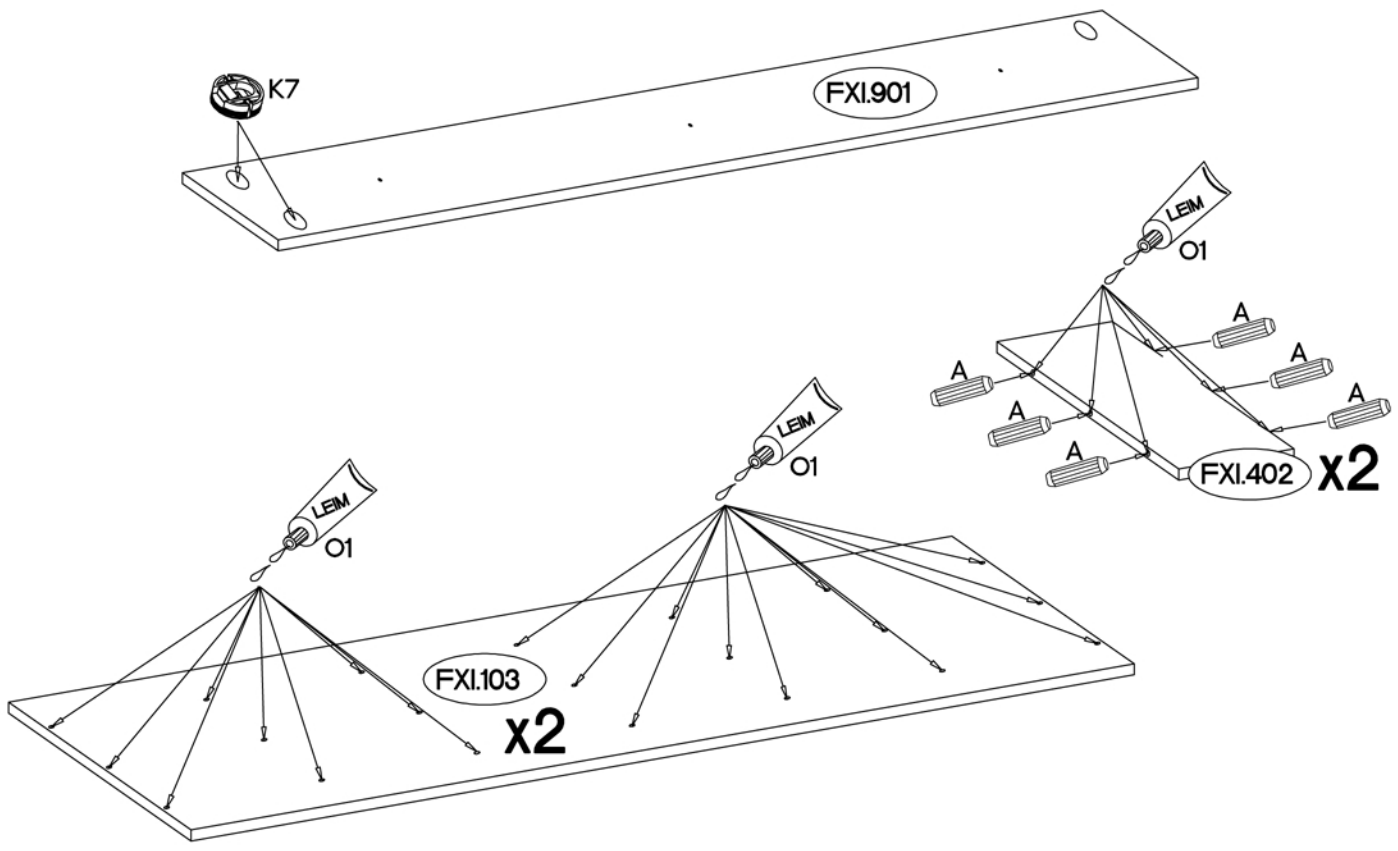
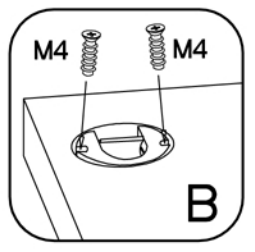
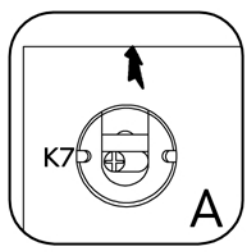
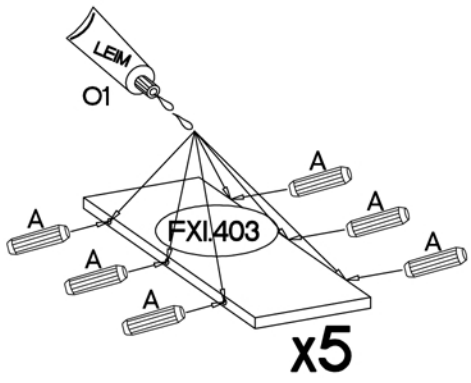
Typ 455



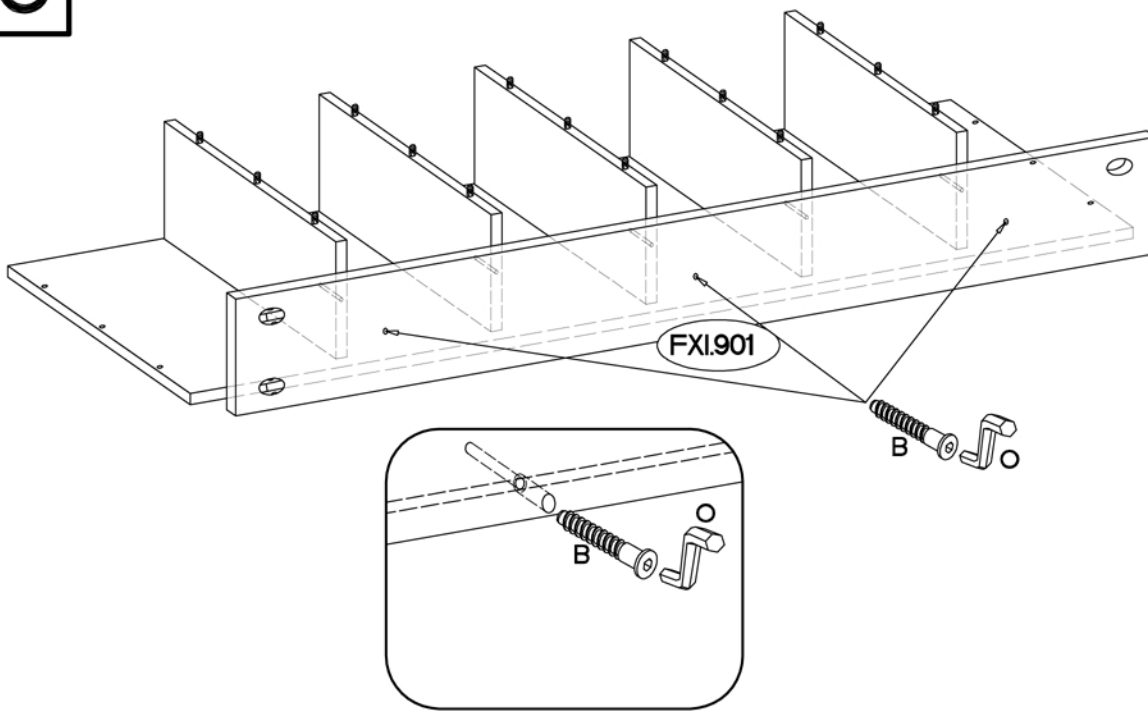
2B :

| | | | | | | | |
|---|---|---|---|---|---|--|---|
|  |  |  |  |  |  |  |  |
| A | K7 | M4 | O3 | O7 | O11 | O | B |
| 42 | 2 | 4 | 2 | 2 | 1 | 1 | 3 |

| | | | |
|--|--|--|---|
|  †8x30mm A |  K7 |  †6,3x9mm M4 |  0,05 O11 |
| 42 | 2 | 4 | 1 |

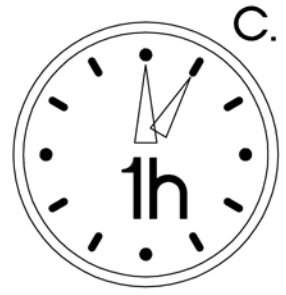
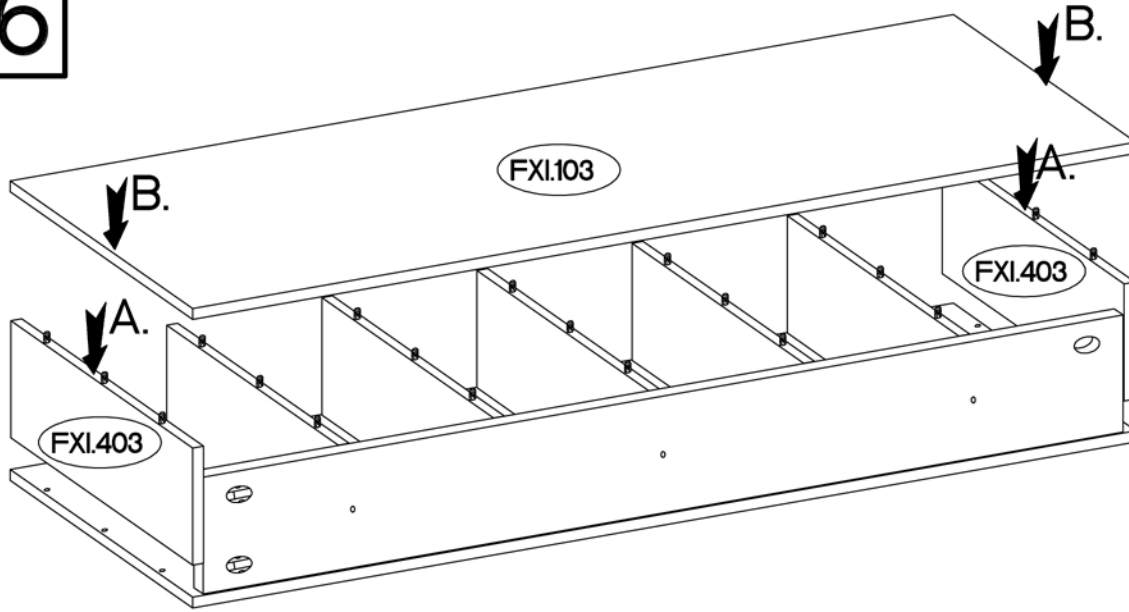


15



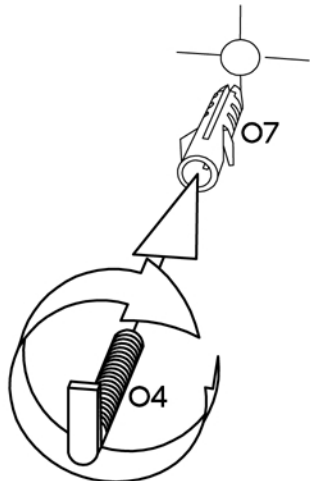
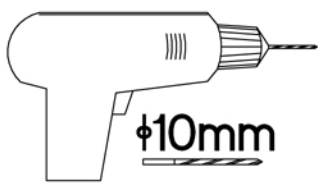
| | |
|------------|---|
| 6,4 x 50mm | |
| | |
| 1 | 3 |

16

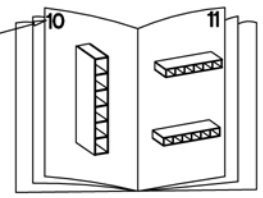


17

| | |
|--------|----------|
| 5/45mm | †10x50mm |
| | |
| O3 | O7 |
| 2 | 2 |

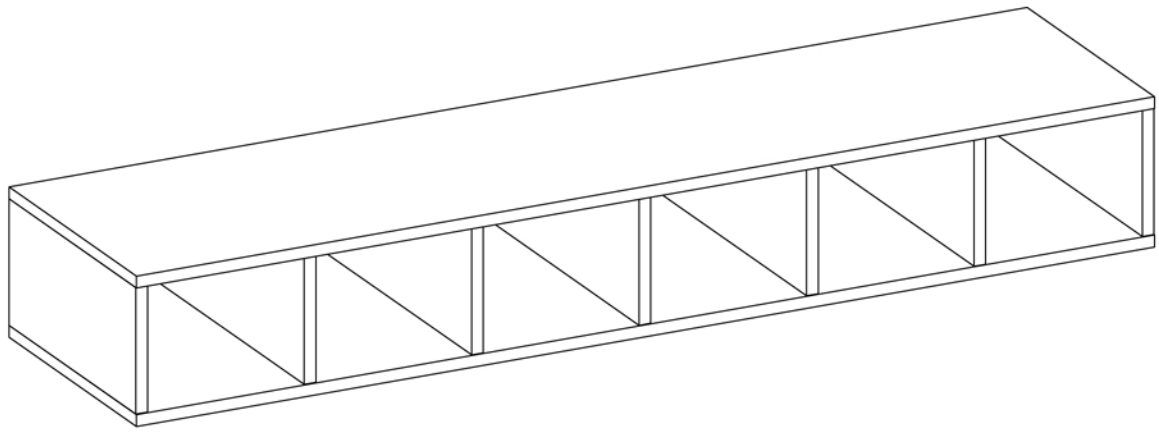



10
11

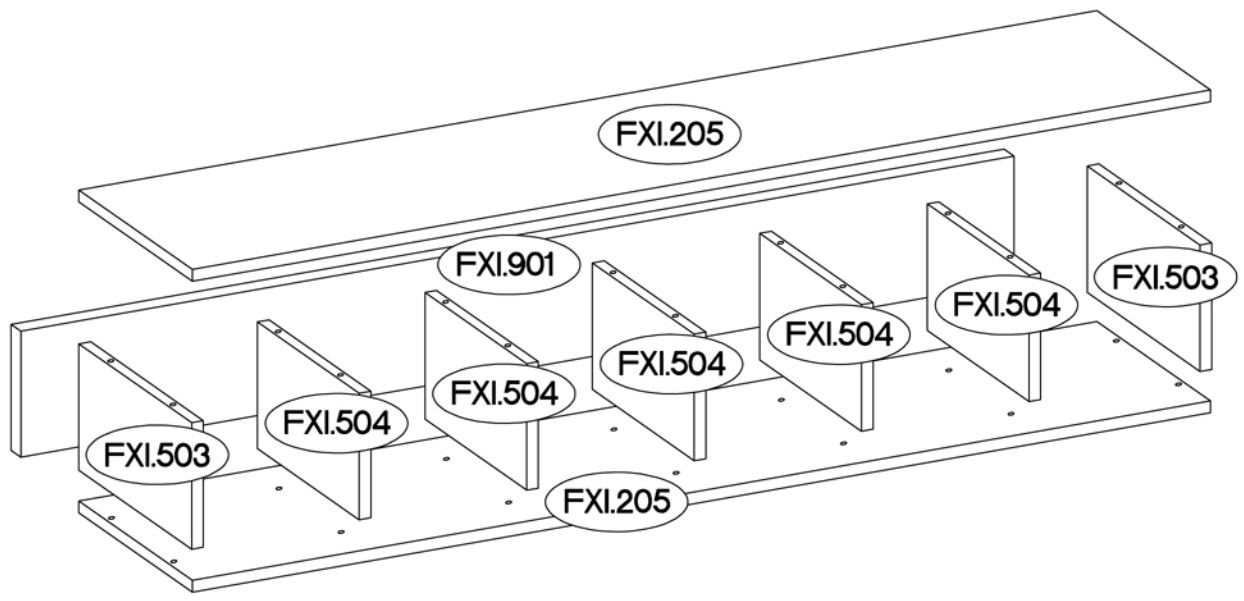


FLINT









Typ 458







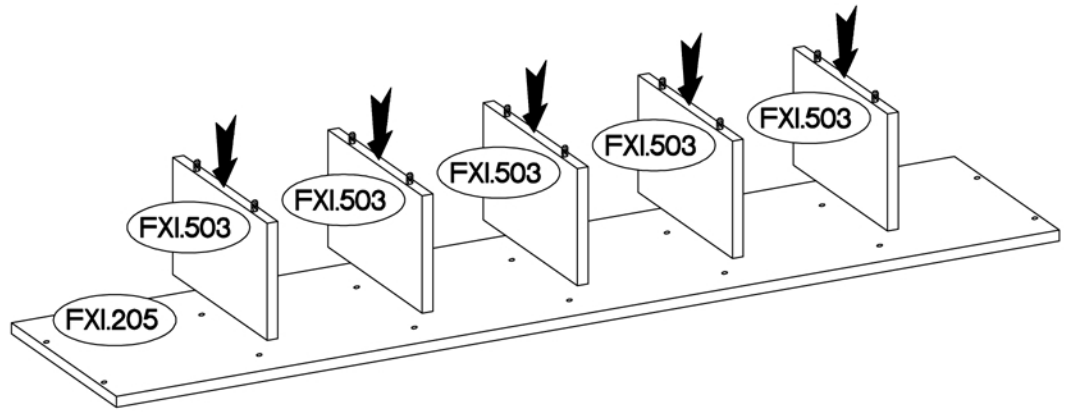
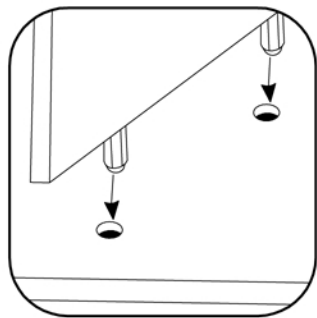
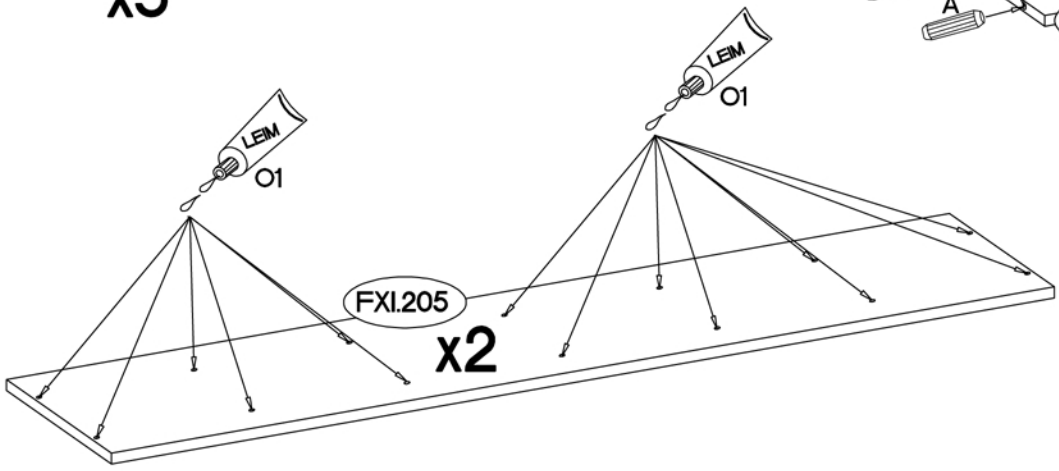
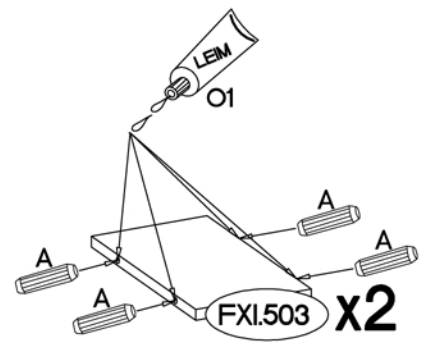
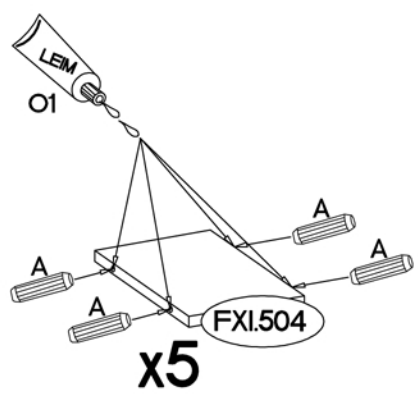
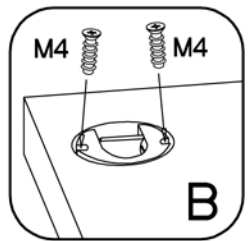
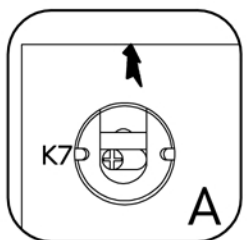
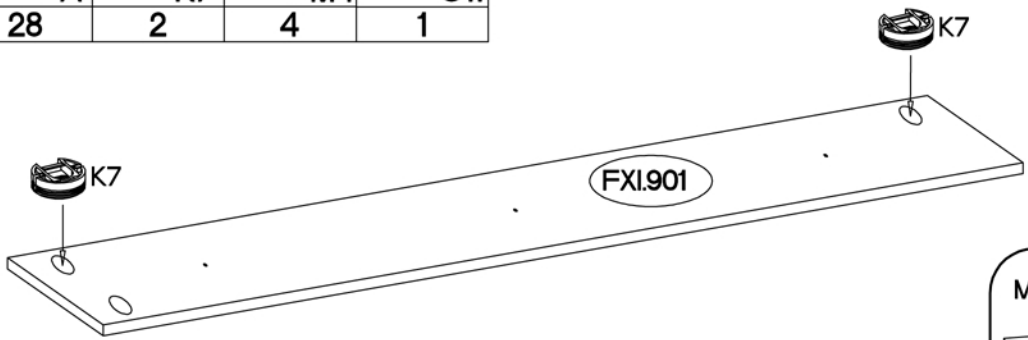
FXI.205 =  max. 2kg





 3B :

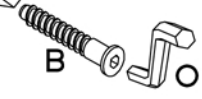
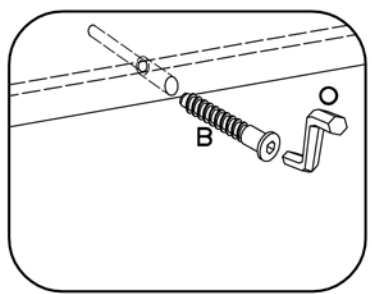
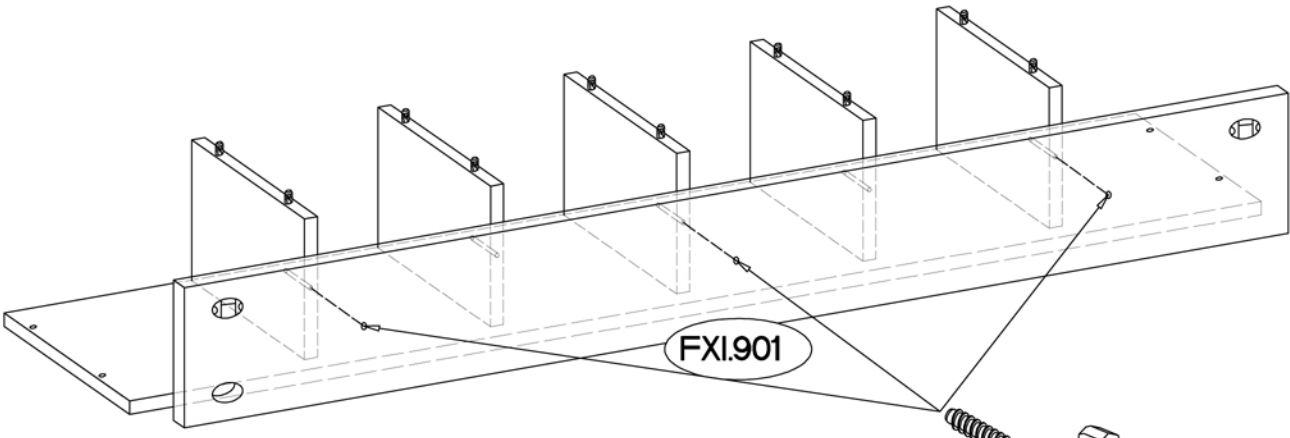
| | | | | | | | |
|---|---|---|---|---|---|--|---|
|  |  |  |  |  |  |  |  |
| +8x30mm | | +6,3x9mm | 5/45mm | +10x50mm | 0,05 | | 6,4 x 50mm |
| A | K7 | M4 | O3 | O7 | O11 | O | B |
| 28 | 2 | 4 | 2 | 2 | 1 | 1 | 3 |

| | | | |
|--|--|--|---|
|  †8x30mm A |  K7 |  †6,3x9mm M4 |  0,05 O11 |
| 28 | 2 | 4 | 1 |

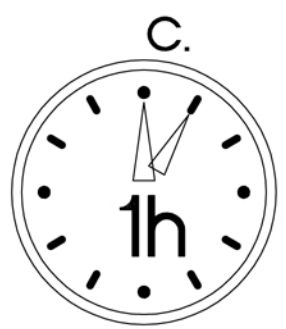
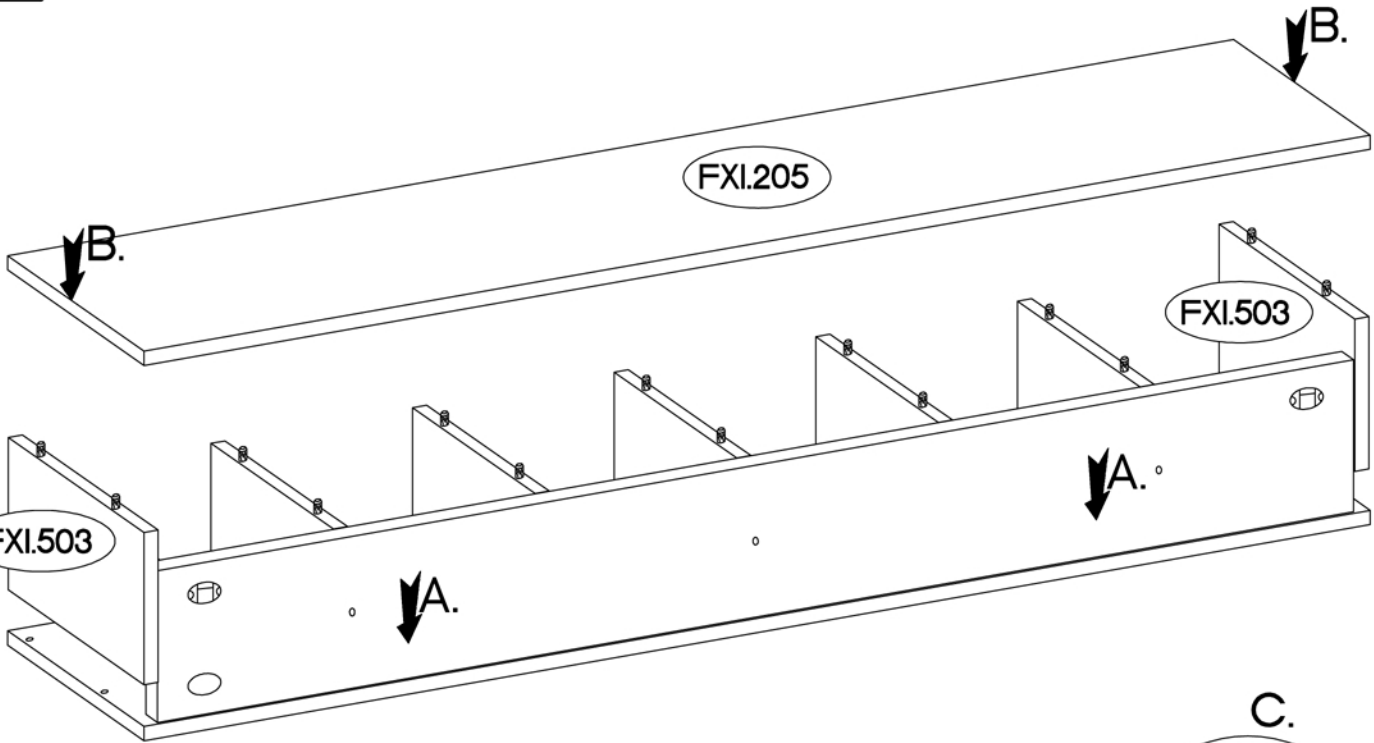




21

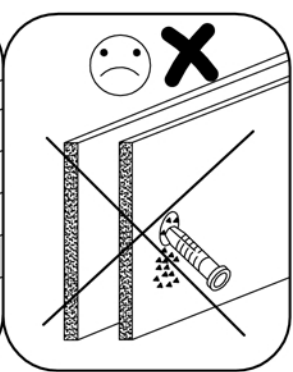
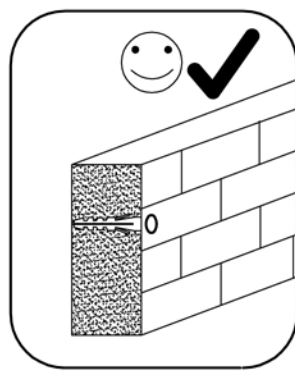
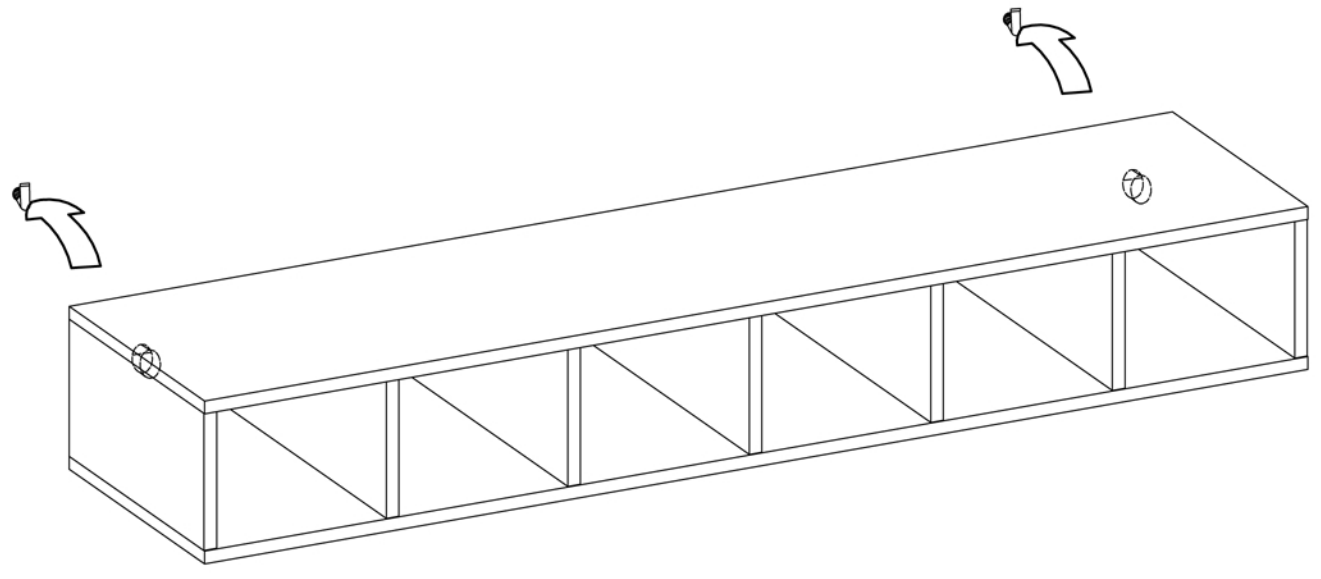
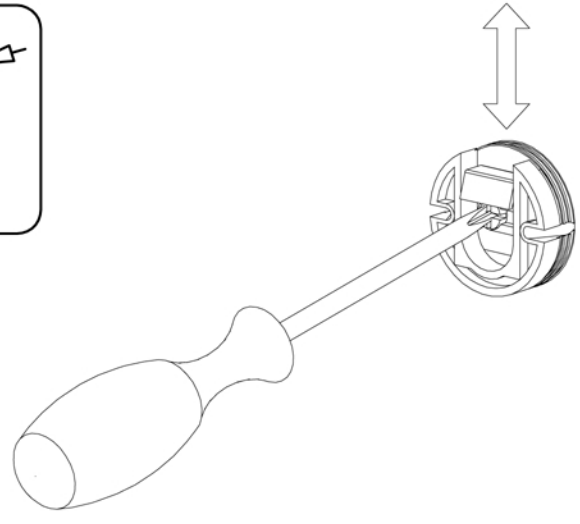
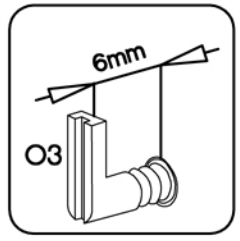
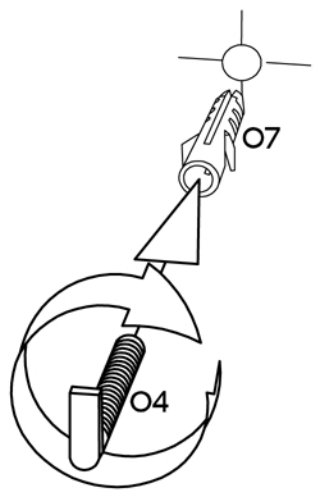
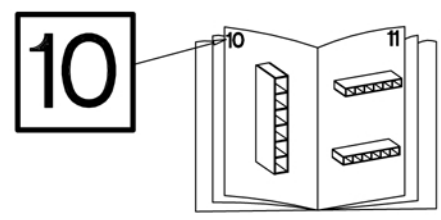
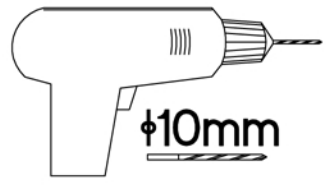
| | | |
|--|--|------------|
|  |  | 6,4 x 50mm |
| O | B | |
| 1 | 3 | |



22

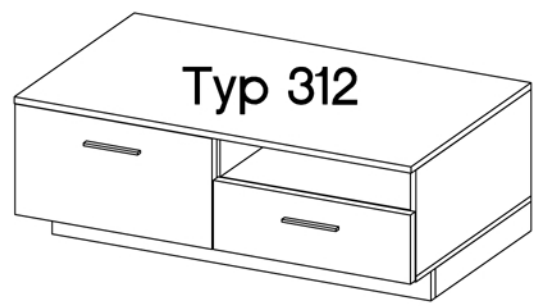


| | |
|--|--|
| 5/45mm | φ10x50mm |
|  |  |
| O3 | O7 |
| 2 | 2 |

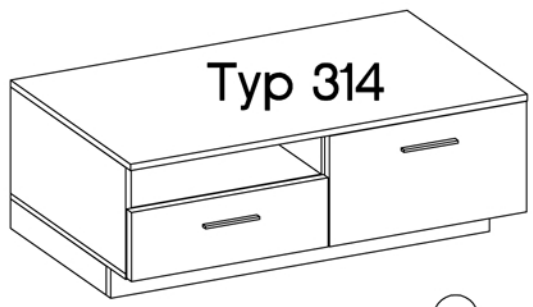
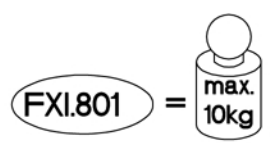
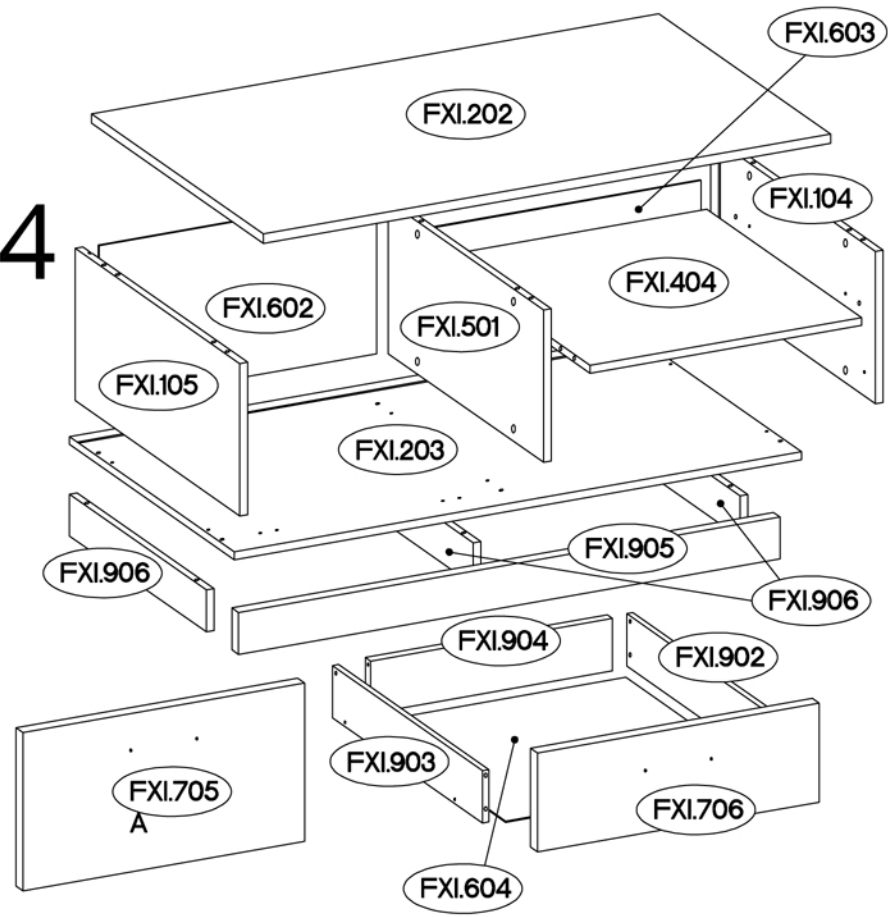


FLINT

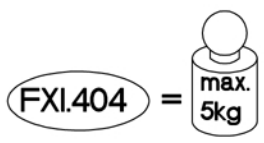
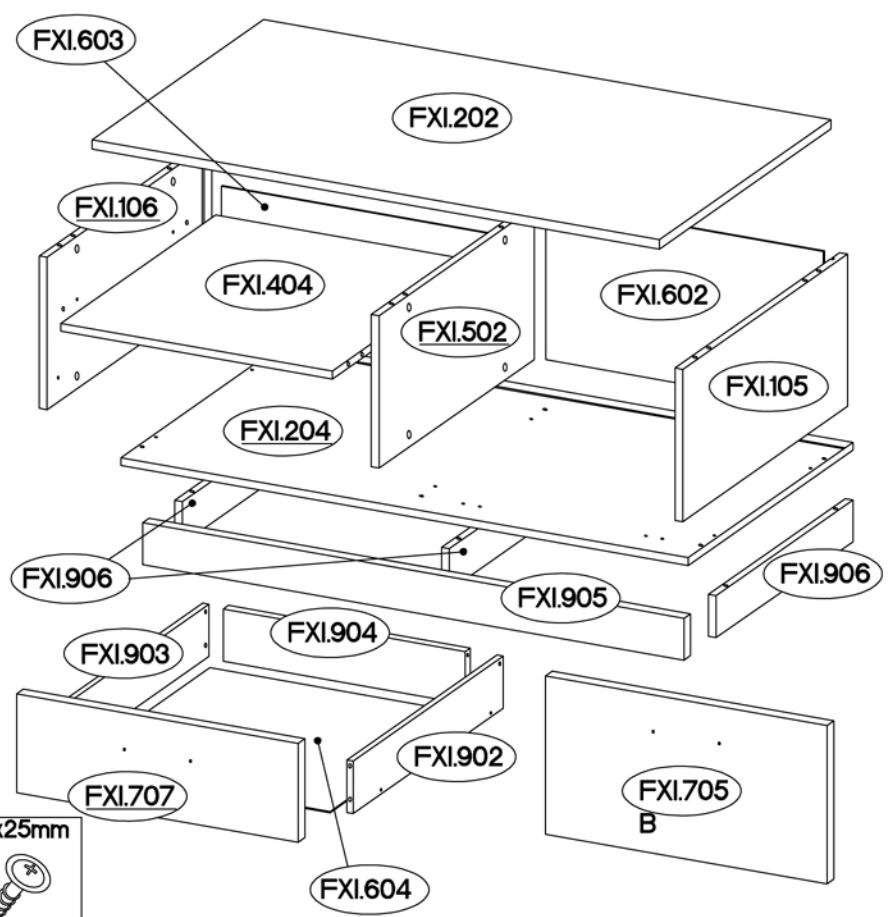
Typ 312/314



Typ 312



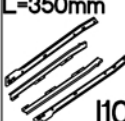


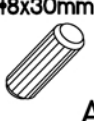
Typ 314

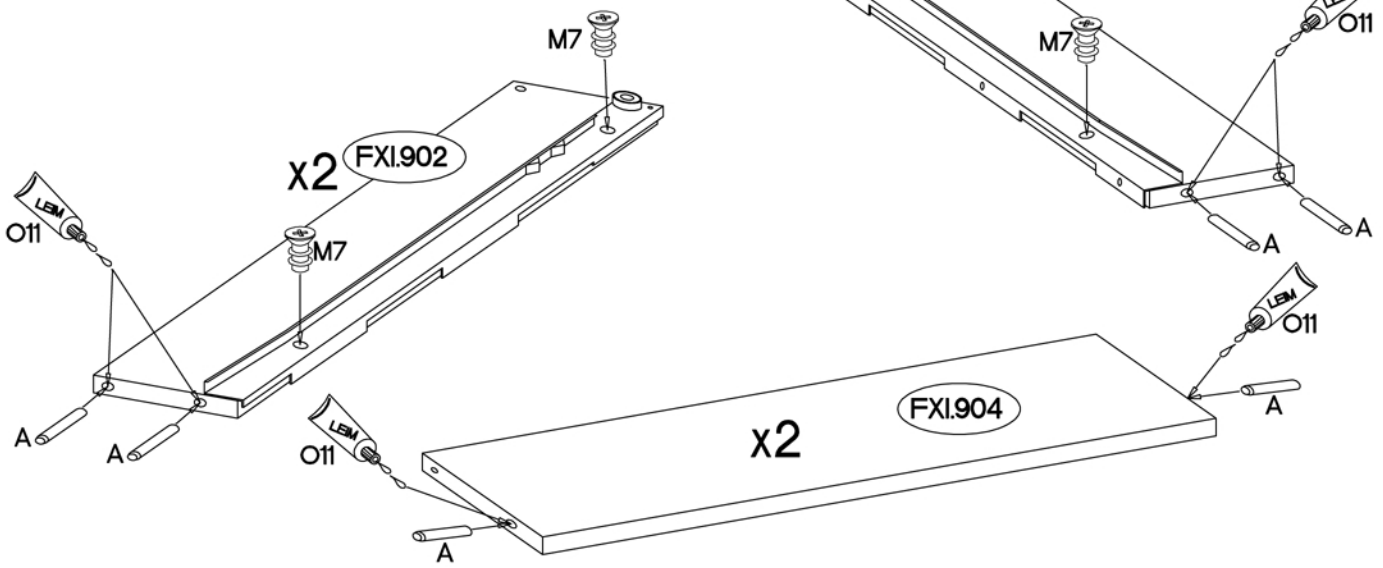


| | | | | |
|-----------|---------|----------|----------|-----------|
| | | | | |
| E3 | L2 | | | |
| 12 | 4 | | | |
| +35/0mm | H=0 | | | |
| | | | | |
| G | H | L9 | E | |
| 4 | 4 | 2 | 8 | |
| +4.0x16mm | +15x5mm | +10x50mm | | |
| | | | | |
| T3 | P1 | F4 | O7 | |
| 10 | 20 | 12 | 2 | |
| L=350mm | +3x13mm | 0,05 | +6,3x9mm | +4.0x25mm |
| | | | | |
| I10 | P22 | O11 | M7 | R |
| 2 | 8 | 1 | 8 | 1 |
| +15/12mm | +8x30mm | L=20mm | L=128mm | +4.0x30mm |
| | | | | |
| C | A | D2 | L | S11 |
| 32 | 56 | 32 | 14 | 4 |
| L=128mm | | | | |
| +4.0x30mm | | | | |
| +3.5x13mm | | | | |
| | | | | |
| P5 | | | | |
| 16 | | | | |
| | | | | |
| K13 | | | | |
| 2 | | | | |
| | | | | |
| P11 | | | | |
| 22 | | | | |
| | | | | |
| B2 | | | | |
| 4 | | | | |




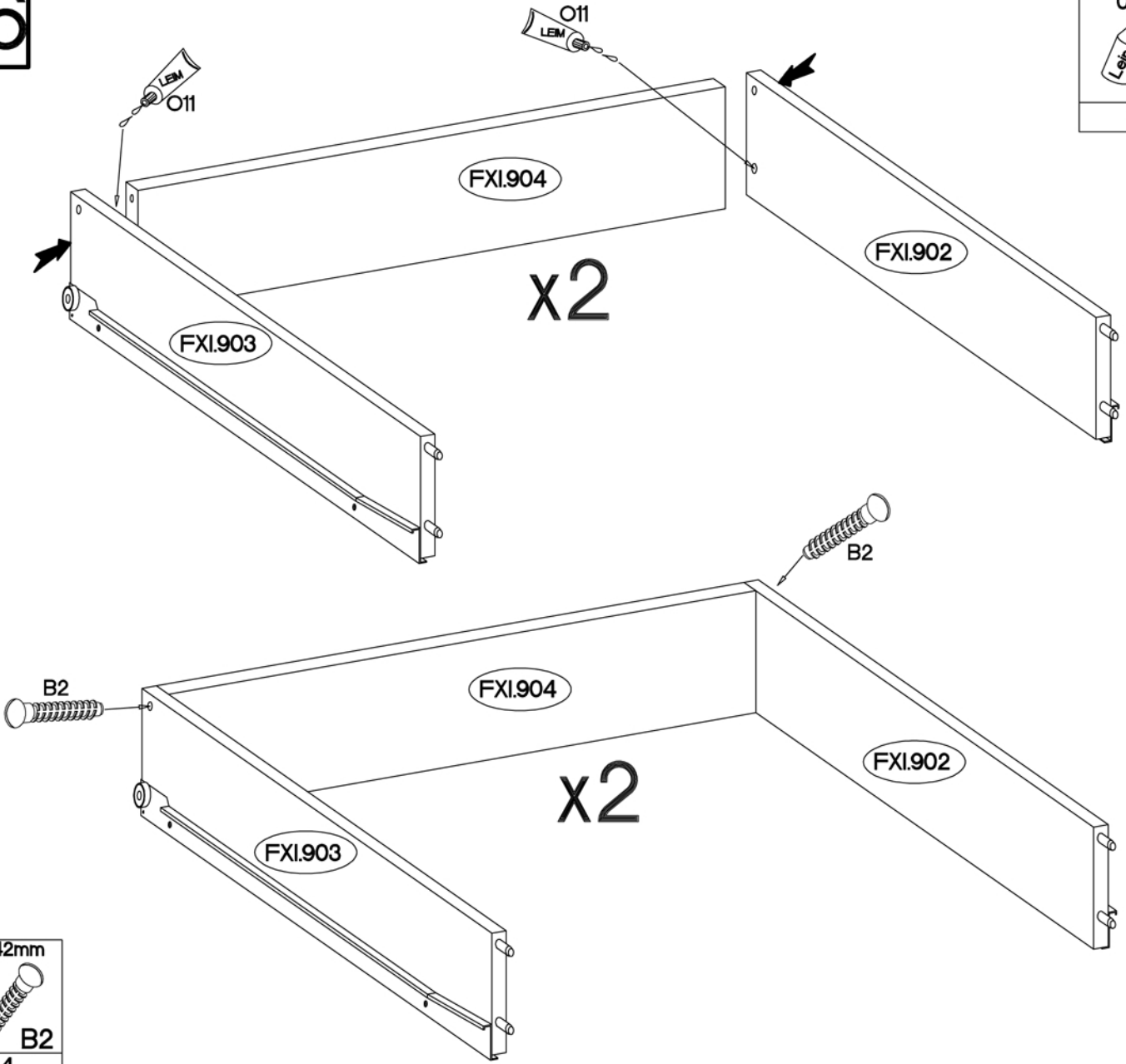
25


| | | | |
|---|---|---|--|
| L=350mm  I10 2 | 0,05  LEM O11 1 | +6,3x9mm  M7 8 | +8x30mm  A 12 |
|---|---|---|--|




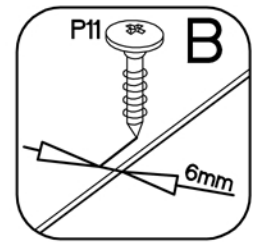
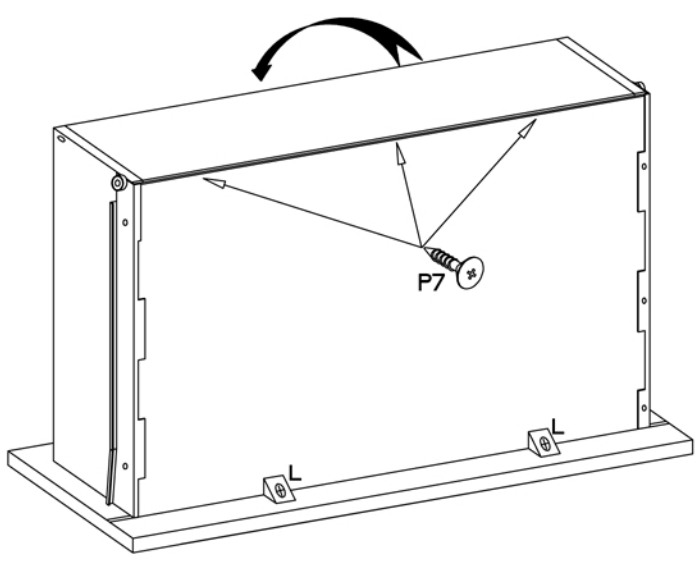
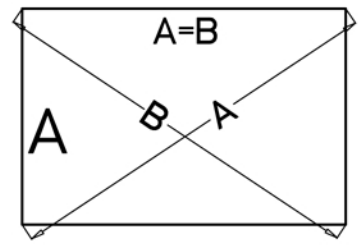
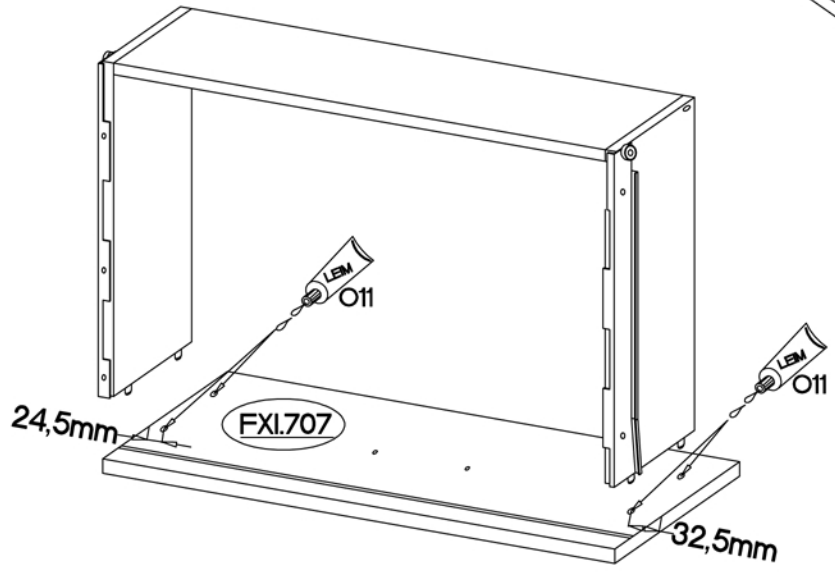
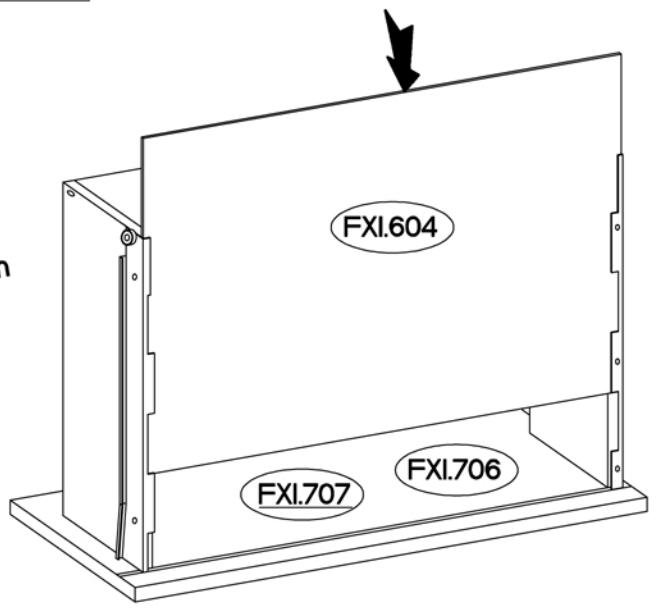
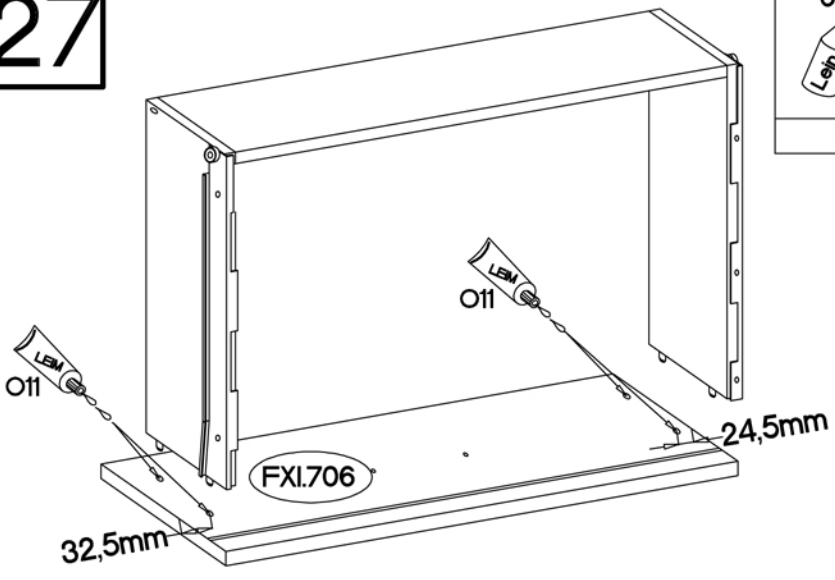
26



| |
|--|
| 0,05  LEM O11 1 |
|--|

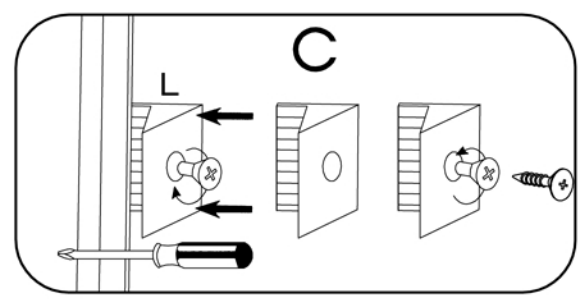


| |
|--|
| +6x42mm  B2 4 |
|--|

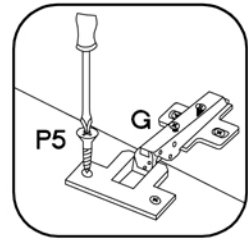
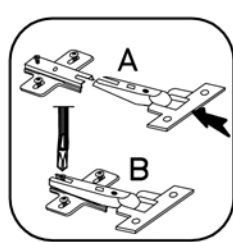
| |
|--|
| 0,05 |
|  |
| O11 |
| 1 |



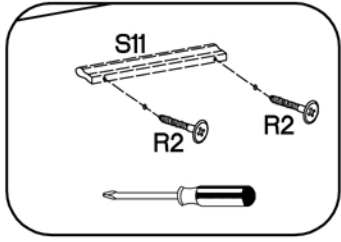
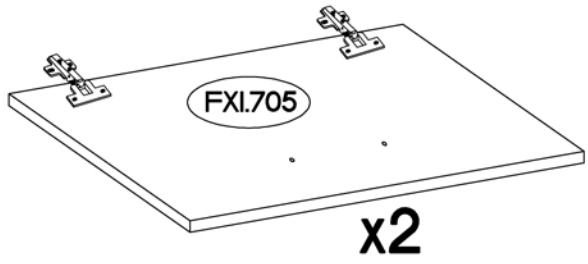
| | |
|---|-----|
|  | L |
| 4 | |
| +3.0x16mm | |
|  | P11 |
| 6 | |



28

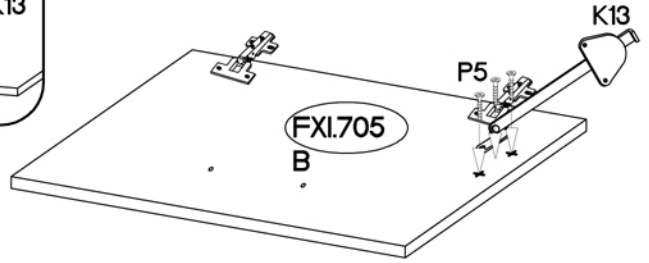
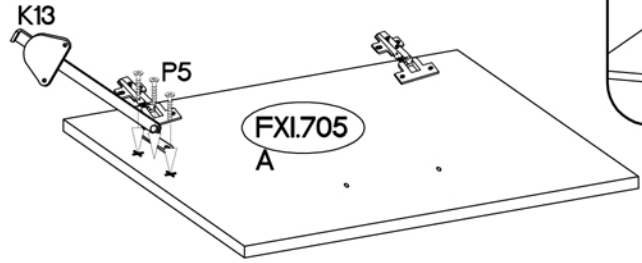
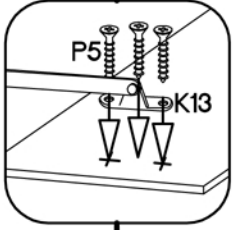
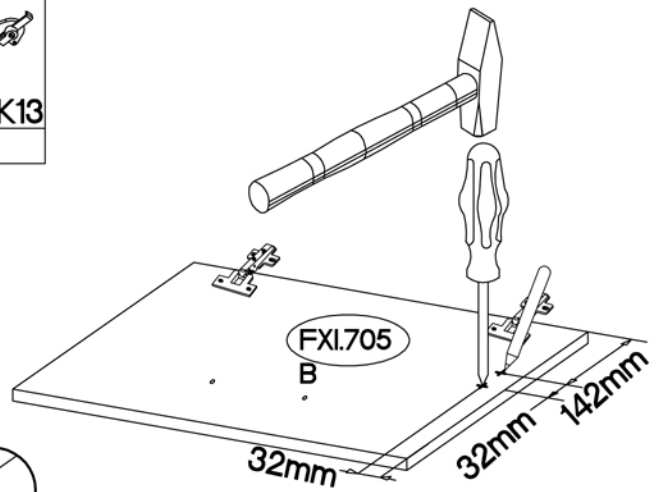
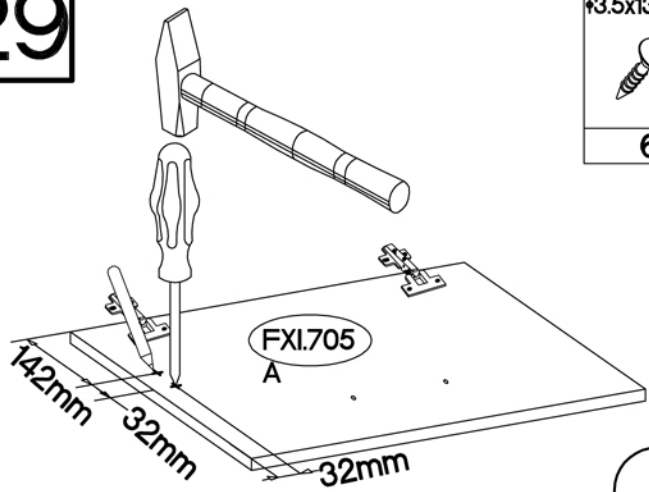


| | | |
|----------------------|-------------------|----------------------|
| ±3.5x13mm P5 8 | ±35/0mm G 4 | H=0 H 4 |
| L=128mm S11 2 | | ±4.0x30mm R2 4 |



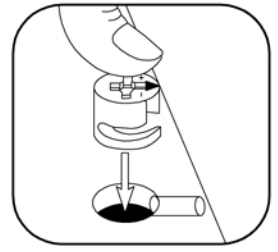
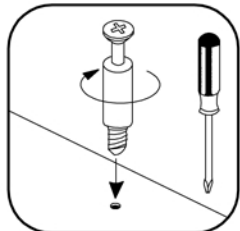
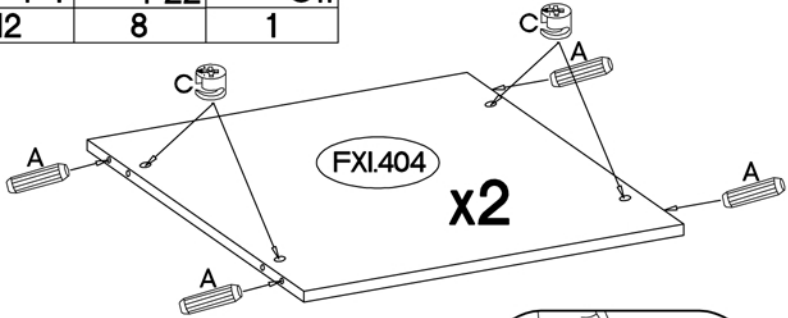
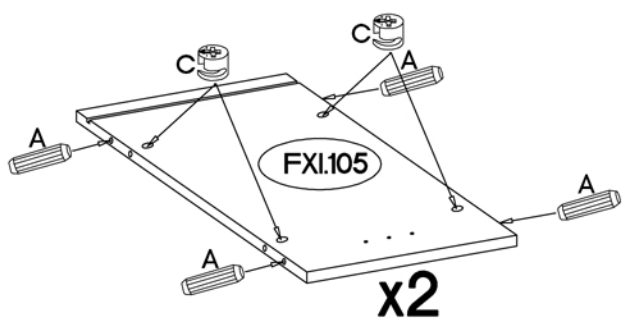
29

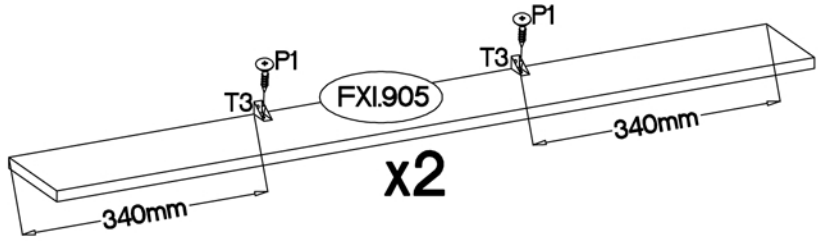
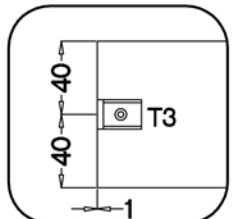
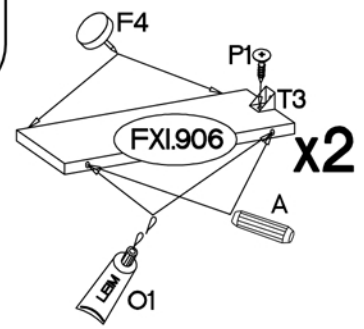
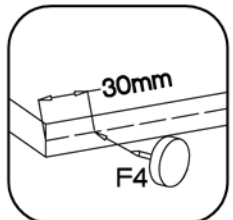
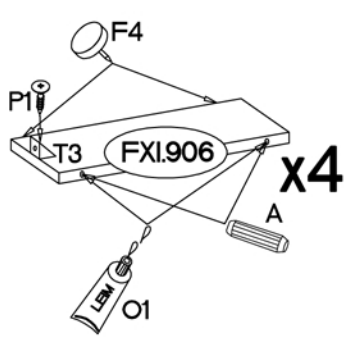
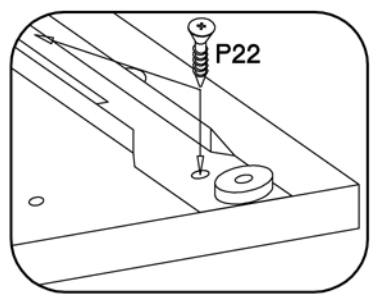
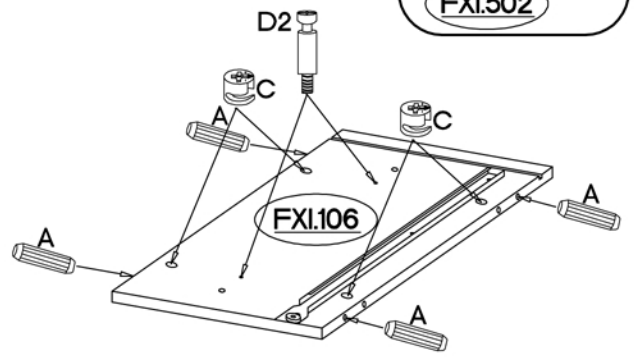
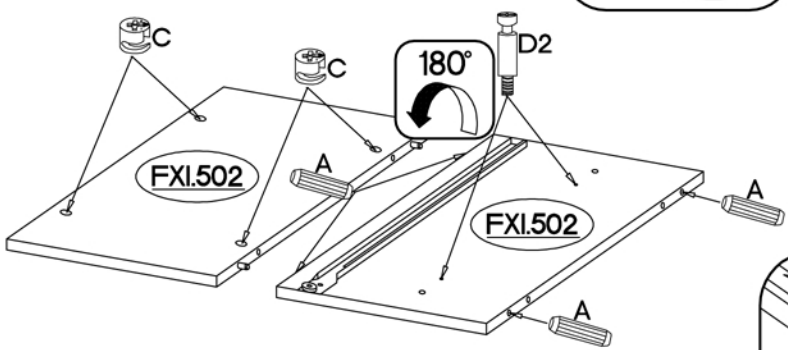
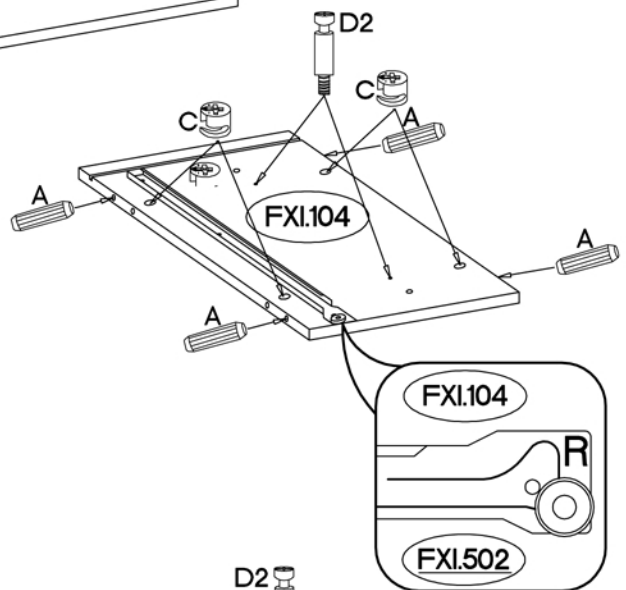
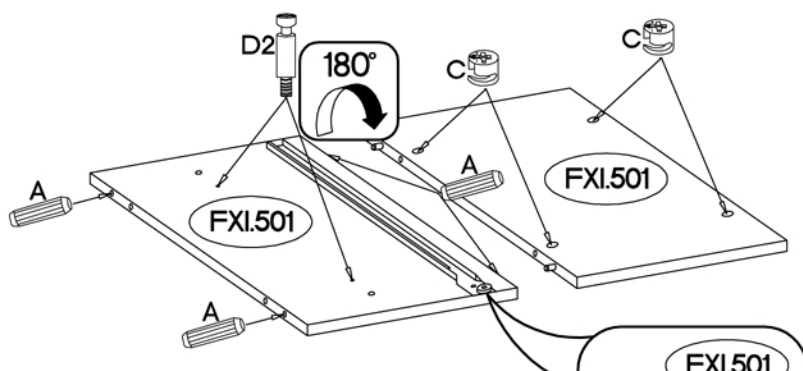
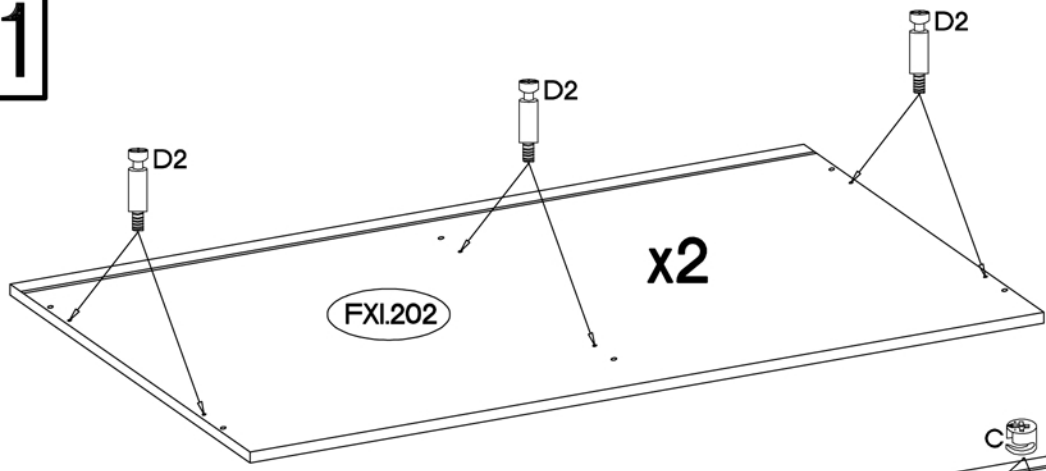
| | |
|----------------------|----------|
| ±3.5x13mm P5 6 | K13 2 |
|----------------------|----------|



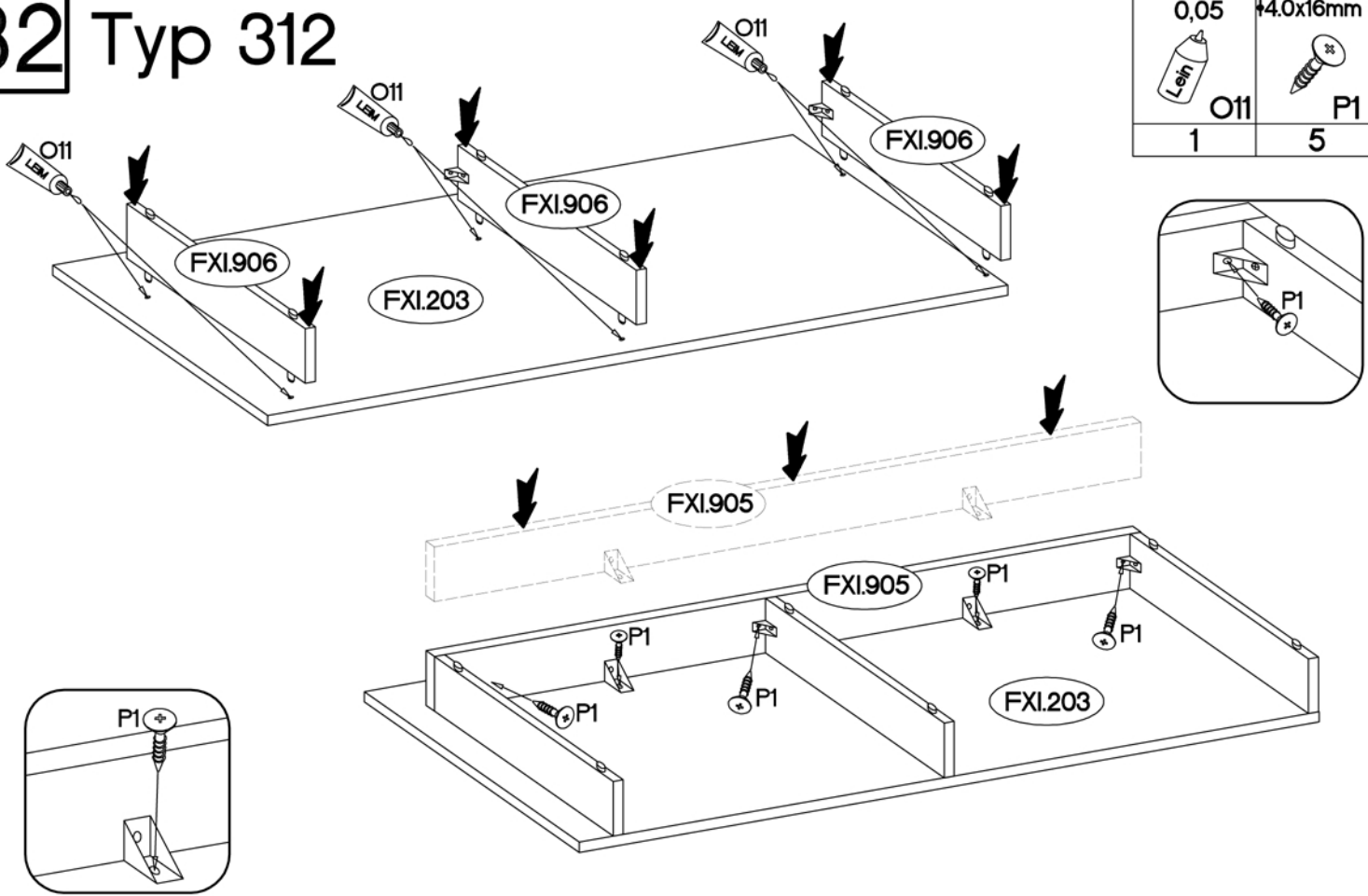
30

| | | | | | | |
|---------------------|--------------------|--------------------|----------|---------------------|---------------------|--------------------------|
| ±15/12mm C 32 | ±8x30mm A 44 | L=20mm D2 20 | T3 10 | ±15x5mm F4 12 | ±3x13mm P22 8 | 0,05 Lein O11 1 |
|---------------------|--------------------|--------------------|----------|---------------------|---------------------|--------------------------|

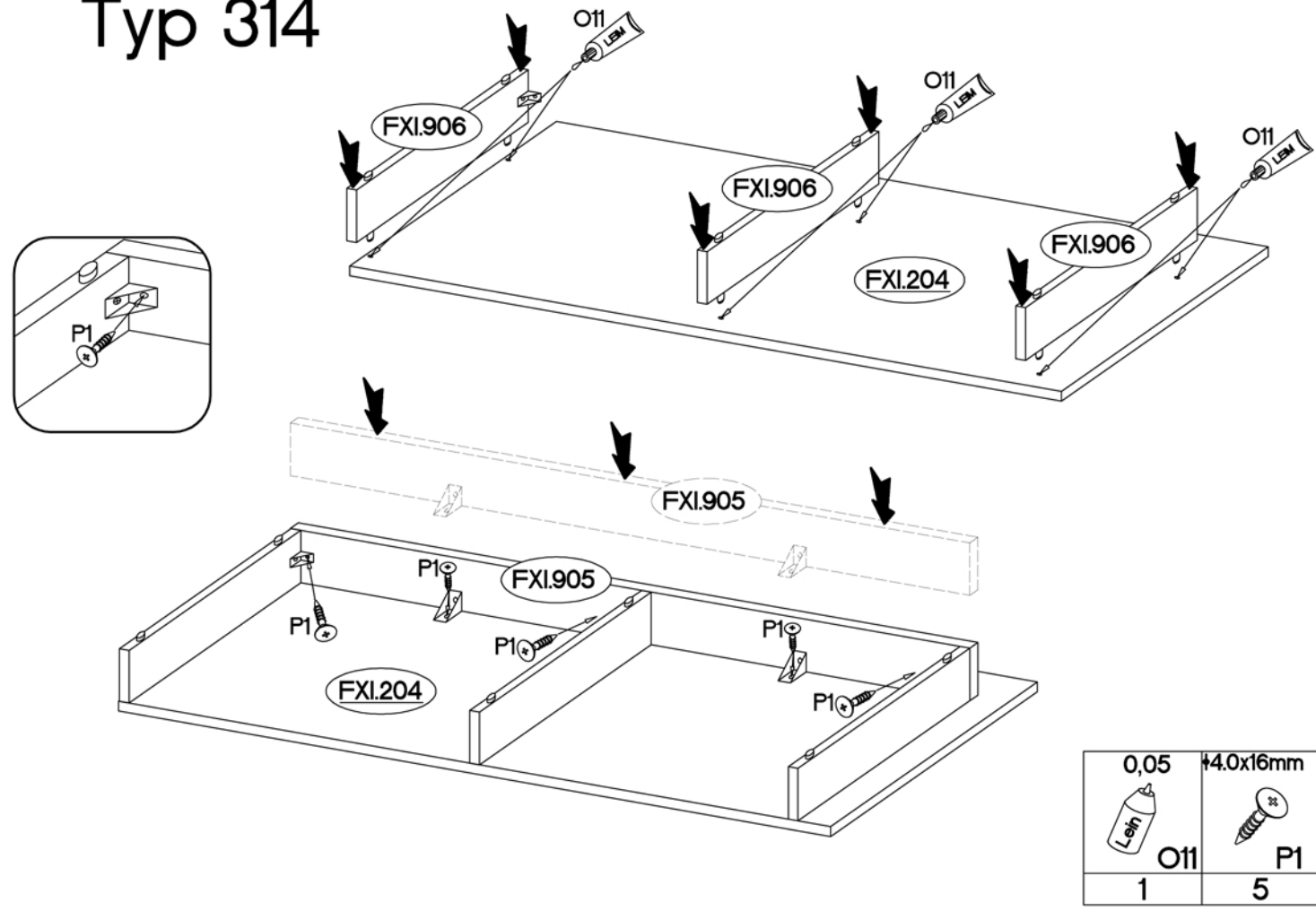




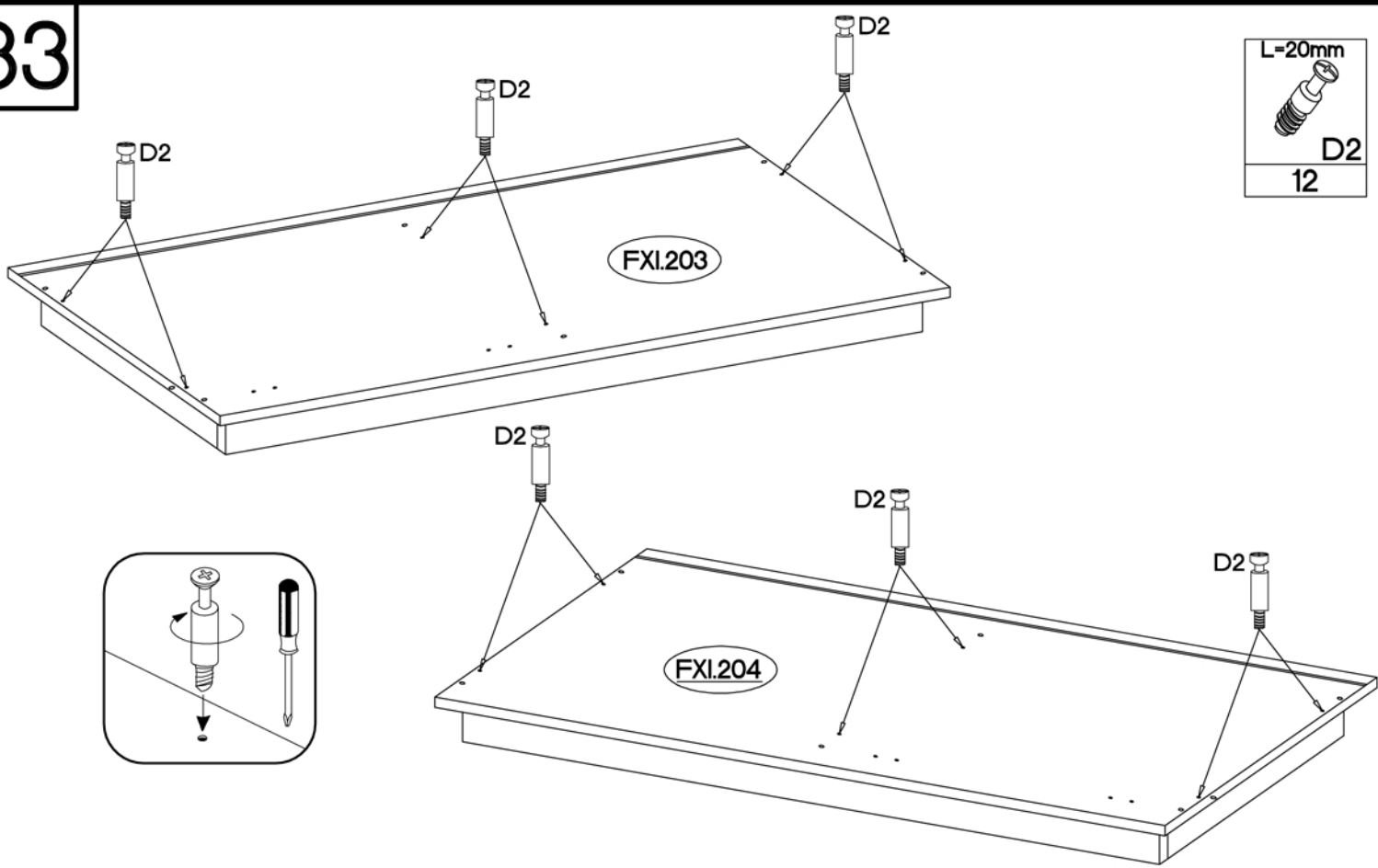
32 Typ 312



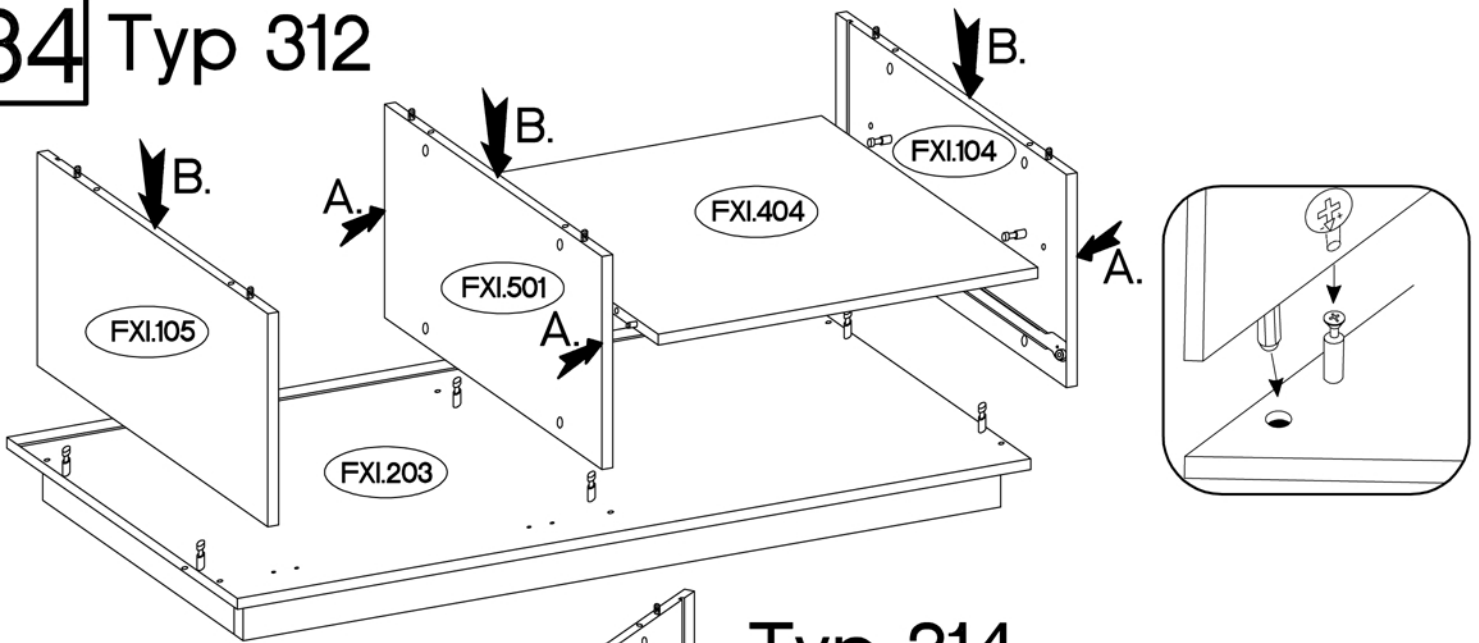
Typ 314



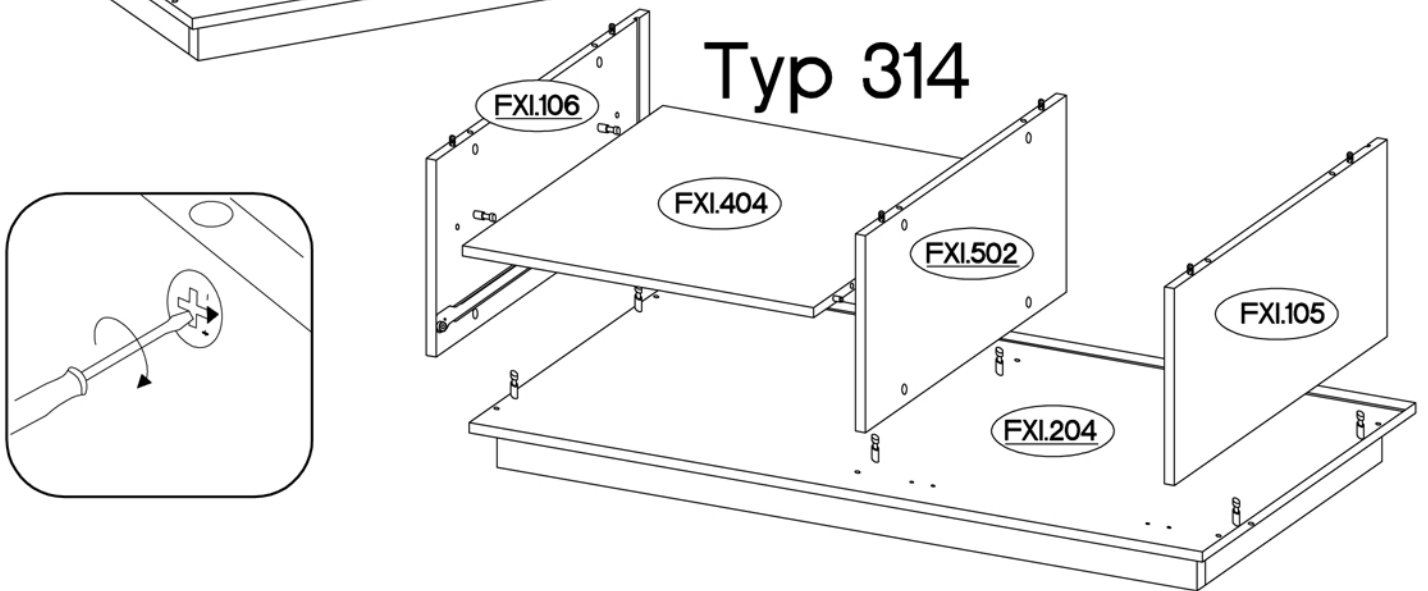
33



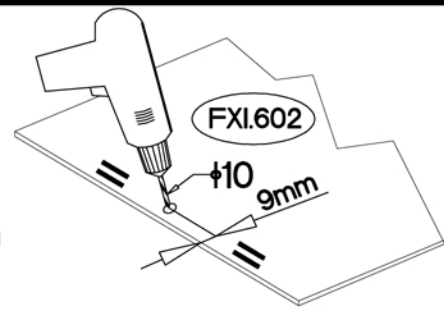
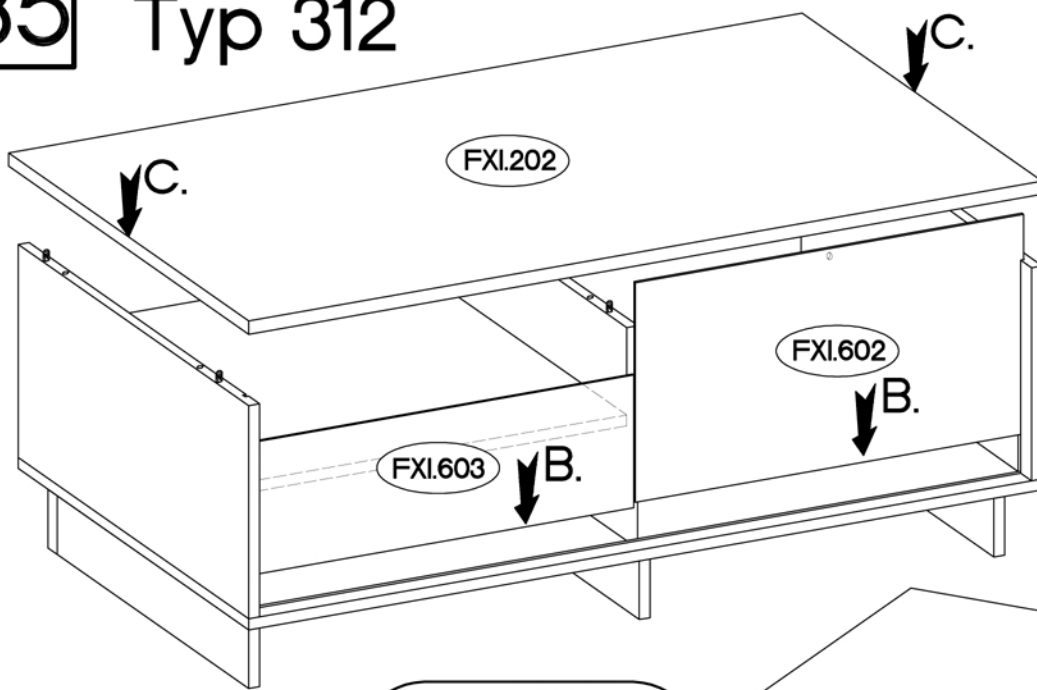
34 Typ 312



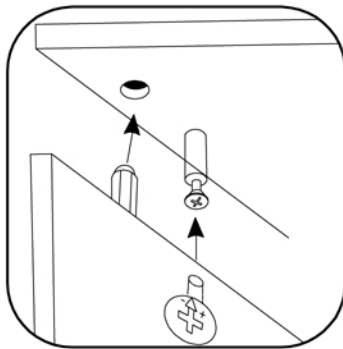
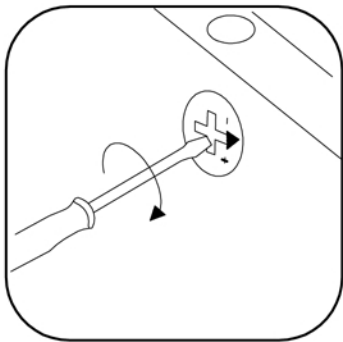
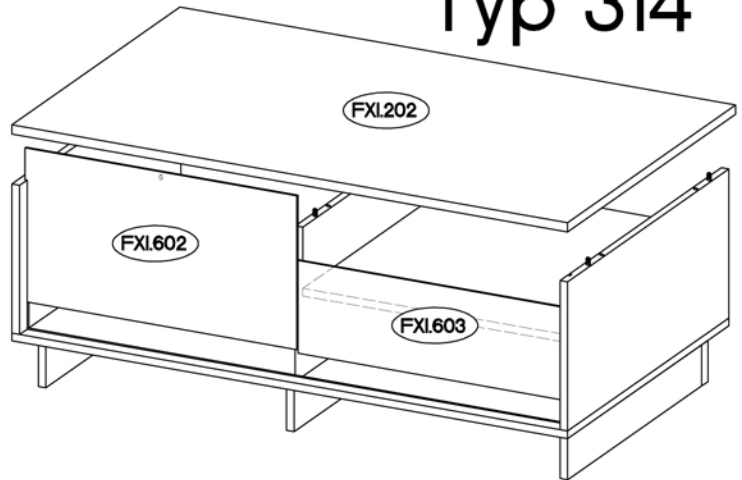
Typ 314



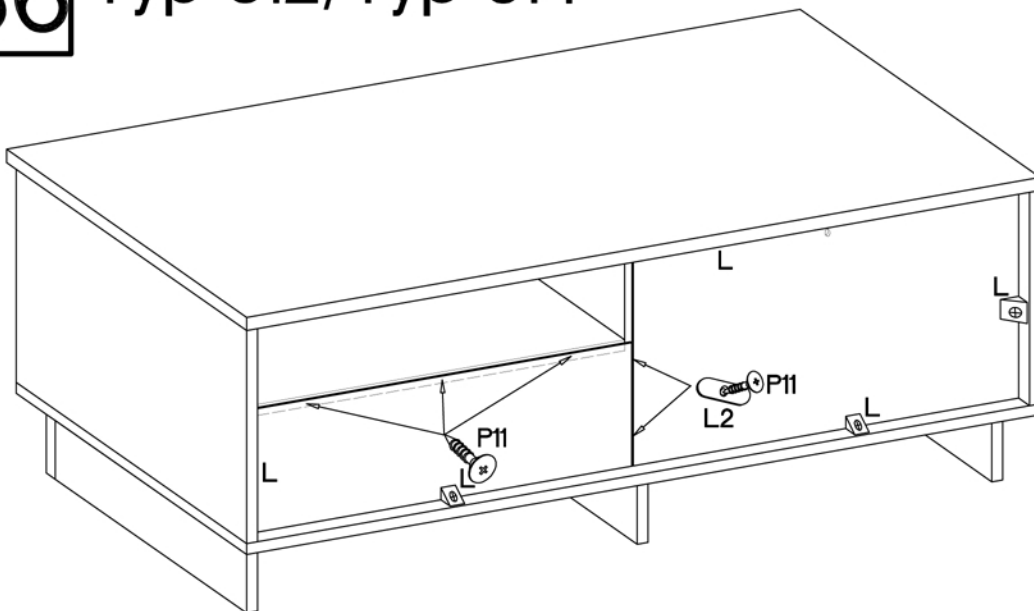
35 Typ 312



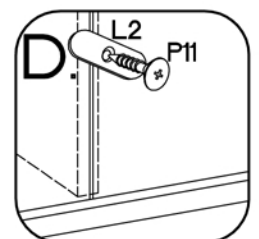
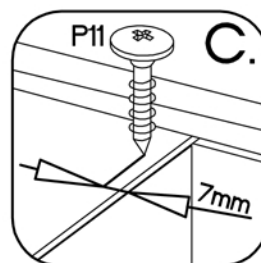
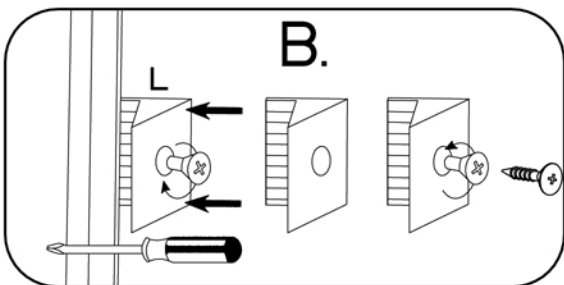
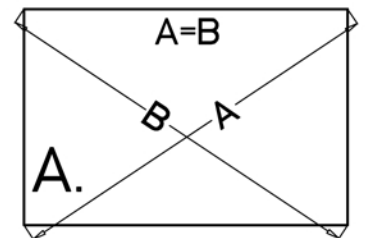
Typ 314



36 Typ 312/Typ 314






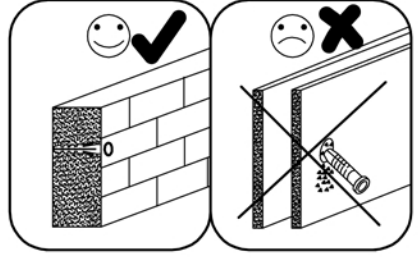
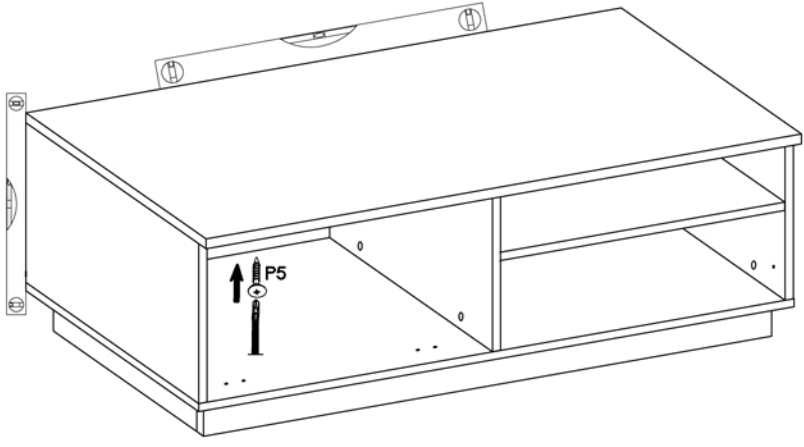
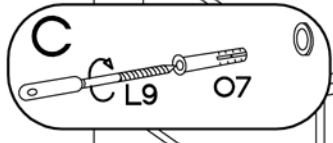
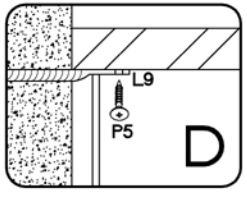
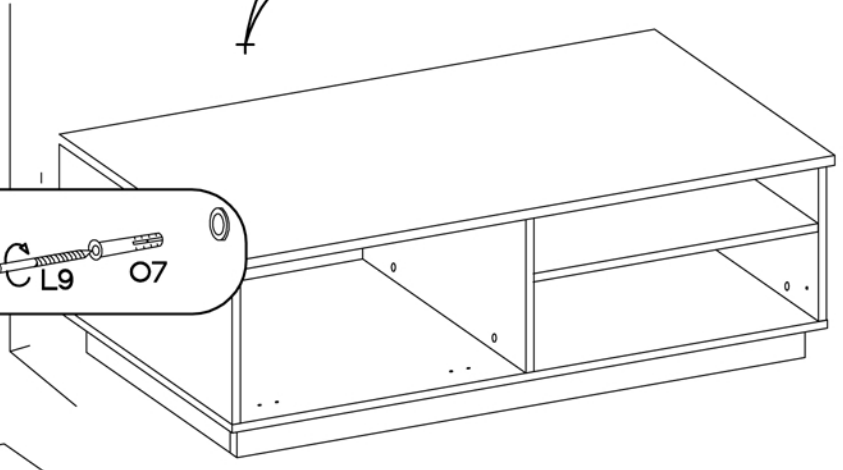
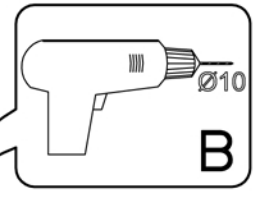
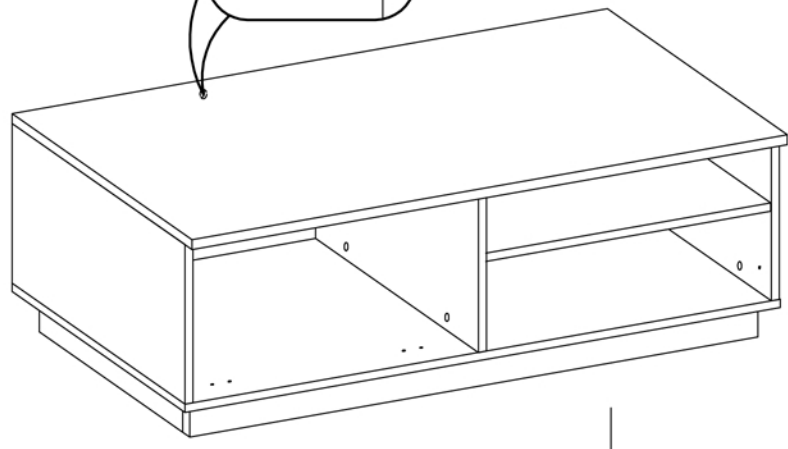
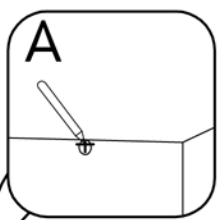
| | | |
|---------------------------------------|----|----|
| $\varnothing 3.0 \times 16 \text{mm}$ | | |
| P11 | L2 | L |
| 10 | 4 | 10 |




37

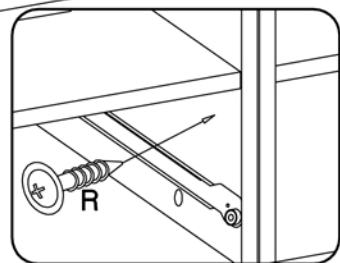
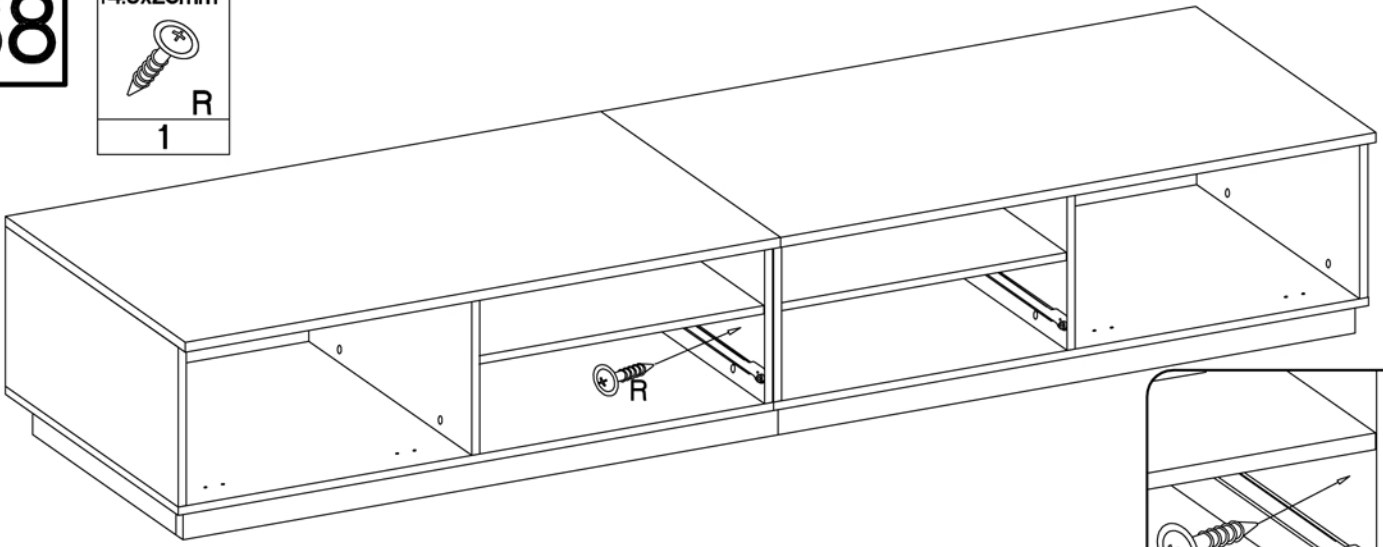
Typ 312/Typ 314

| | | |
|---|--|--|
| $\varnothing 3.5 \times 13 \text{mm}$  P5 2 | $\varnothing 10$  L9 2 | $\varnothing 10 \times 50 \text{mm}$  O7 2 |
|---|--|--|

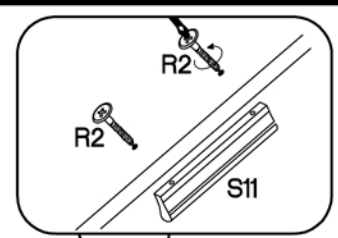
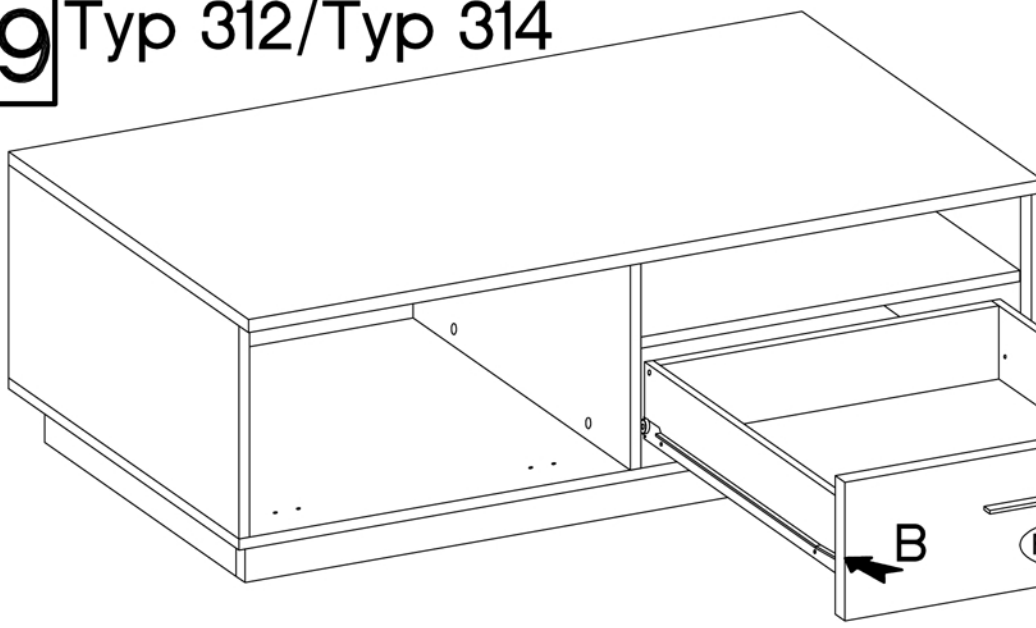


38

| |
|---|
| $\varnothing 4.0 \times 25 \text{mm}$  R 1 |
|---|



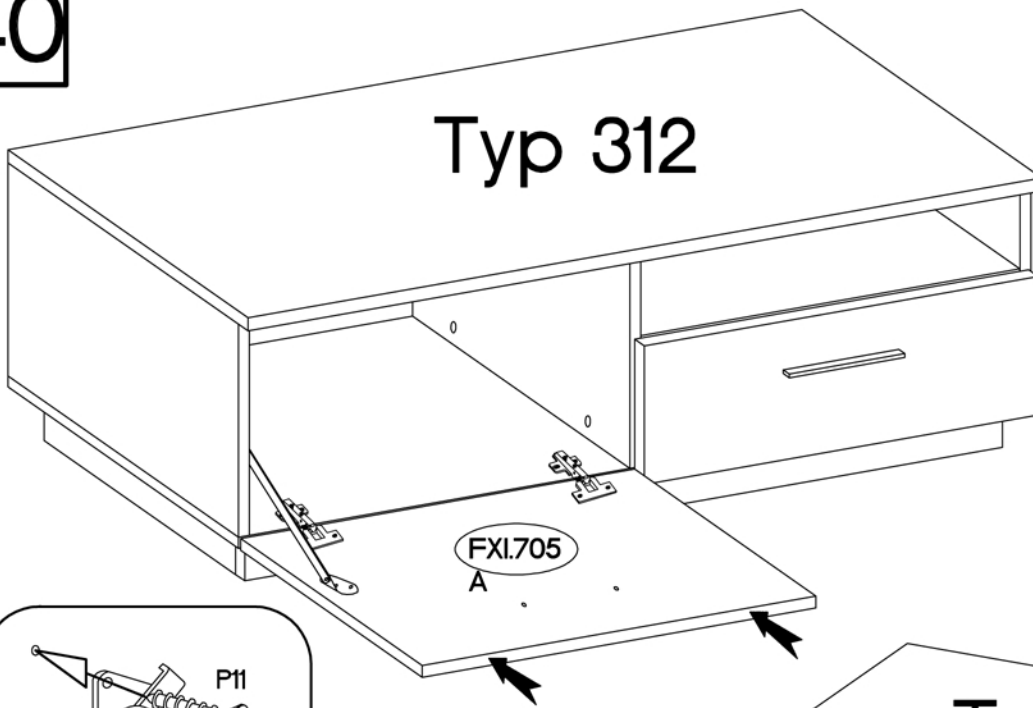
39 Typ 312/Typ 314






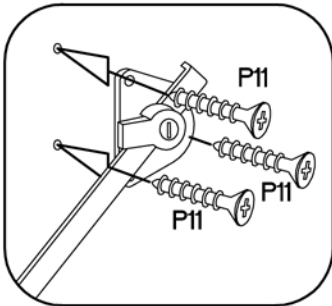
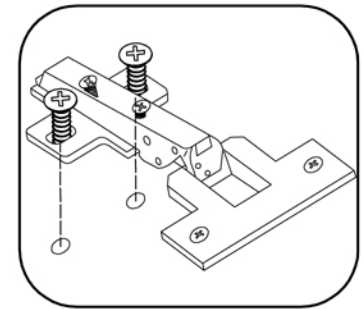
| |
|---|
| L=128mm |
|  |
| S1 |
| 2 |
| +4.0x30mm |
|  |
| R2 |
| 4 |

40

Typ 312



| | | |
|---|---|---|
|  |  | +3.0x16mm |
| E | E13 |  |
| 8 | 12 | P11 |
| | | 6 |



Typ 314

