





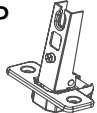



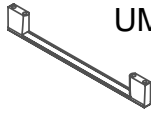
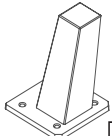


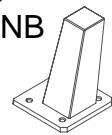


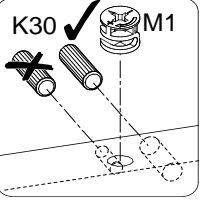
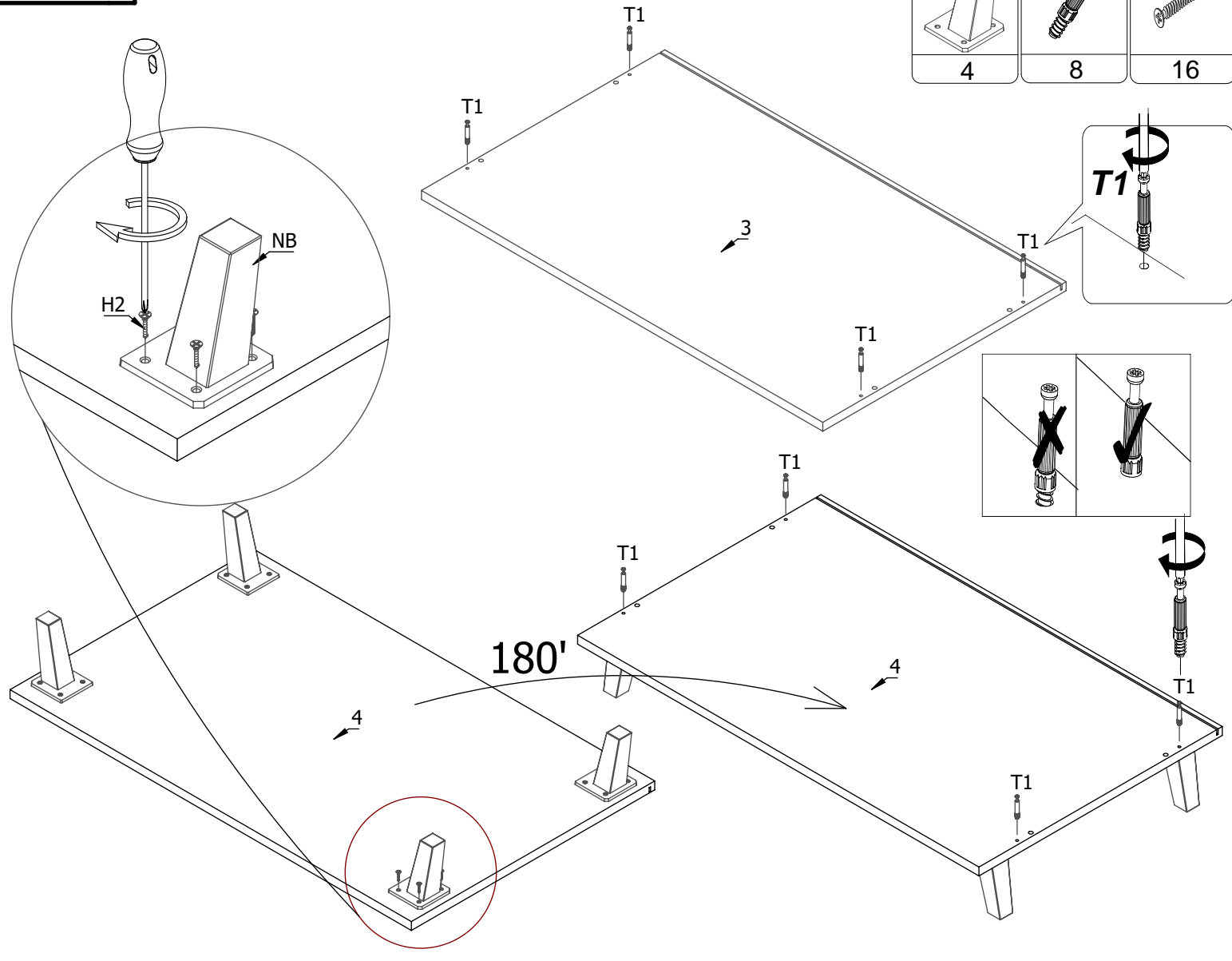



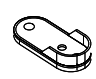


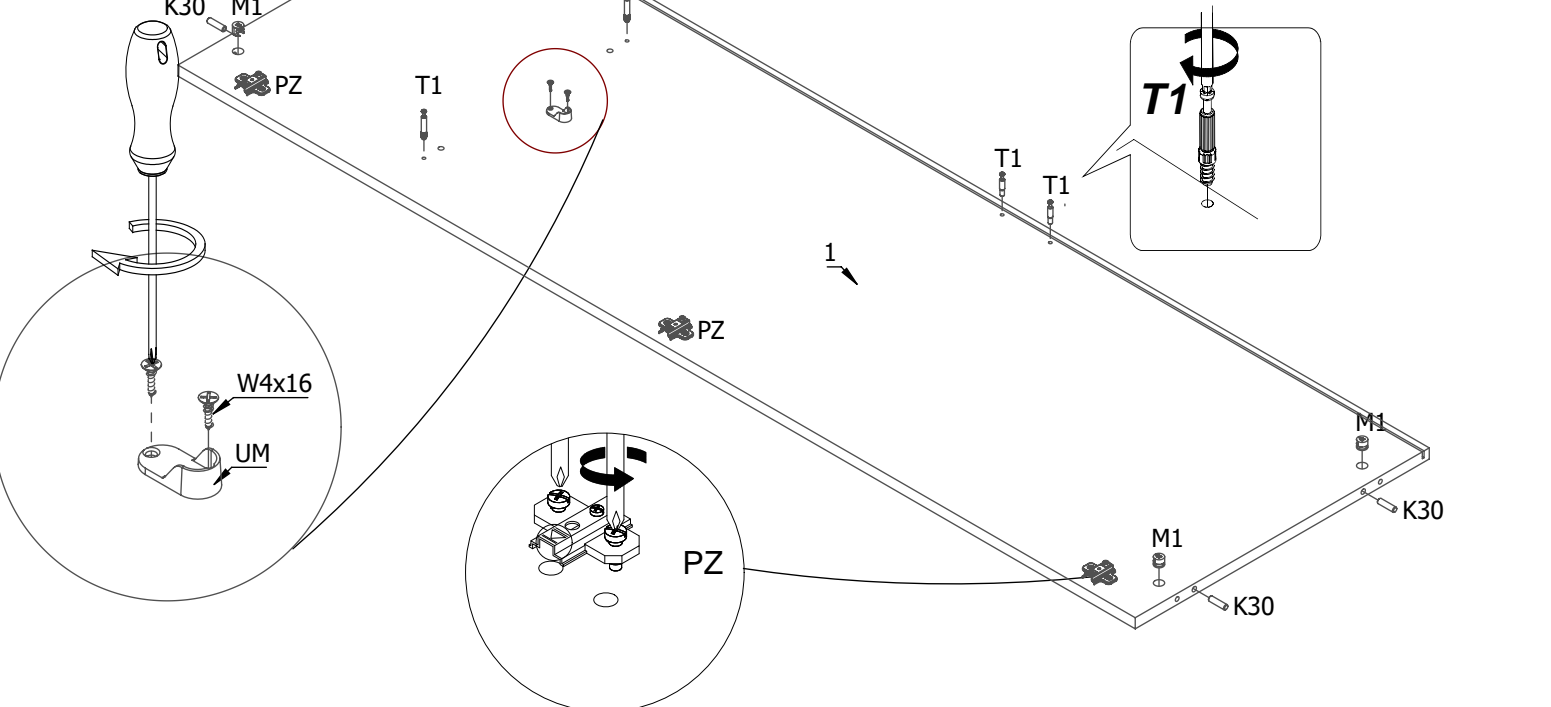








<p>K30</p>  <p>12</p>	<p>T1</p>  <p>24</p>	<p>M1</p>  <p>24</p>	<p>Z1</p>  <p>24</p>	<p>W4x16</p>  <p>16</p>	<p>8X45 D1</p>  <p>8</p>	<p>ZP</p>  <p>6</p>
<p>STB</p>  <p>12</p>	<p>M25</p>  <p>4</p>	<p>4x20</p>  <p>H2</p> <p>16</p>	<p>UM</p>  <p>2</p>	<p>NB</p>  <p>4</p>	<p>UM</p>  <p>2</p>	<p>PZ</p>  <p>6</p>

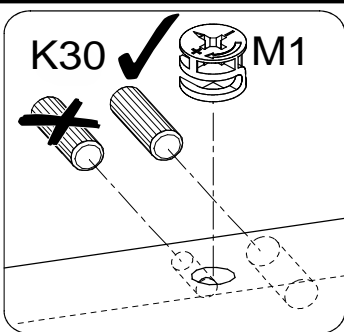
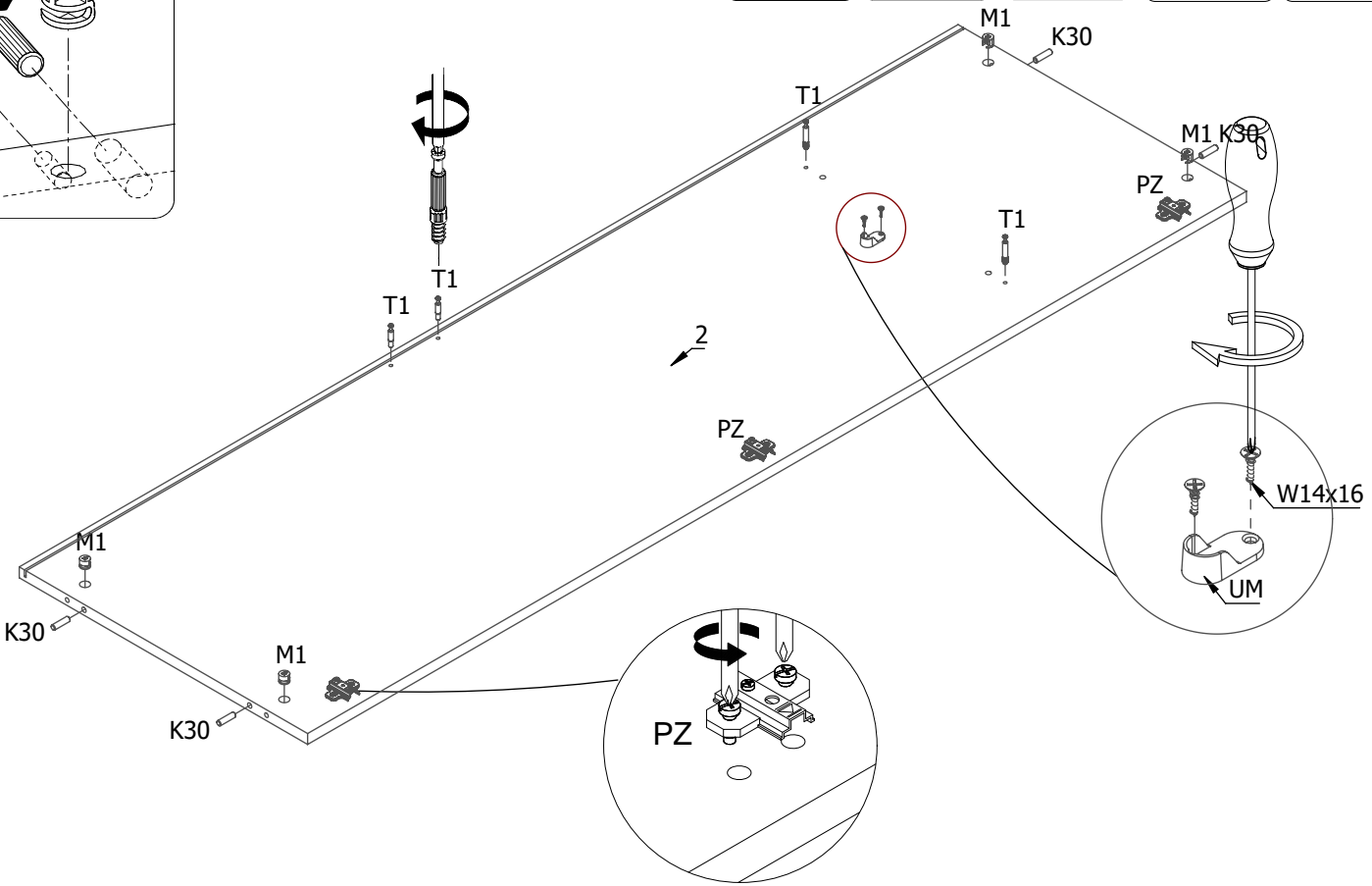
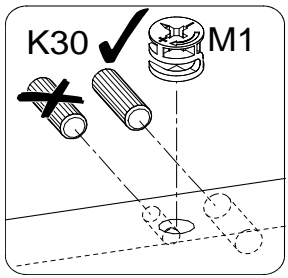
NB 	T1 	4x20 
4	8	16

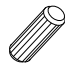



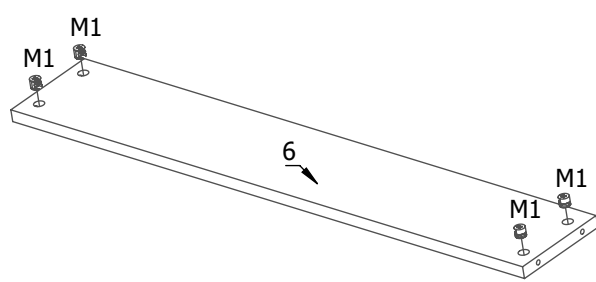
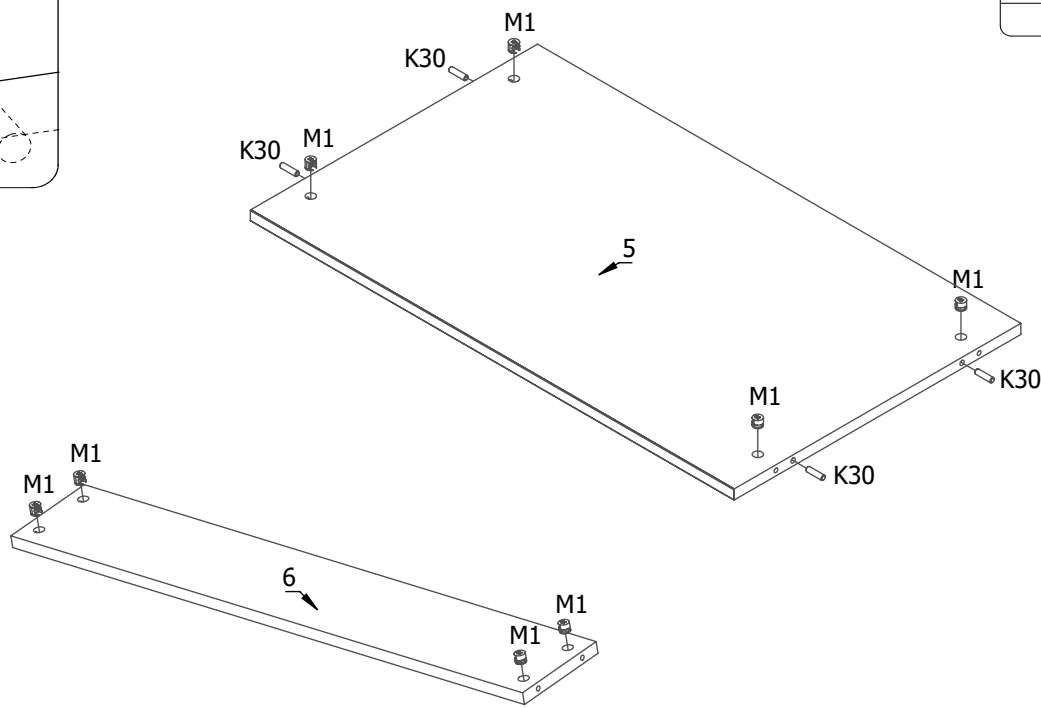
K30 	M1 	T1 	UM 	W4x16 	PZ 
4	4	4	1	2	3






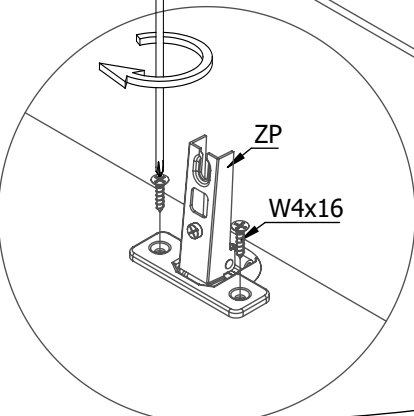
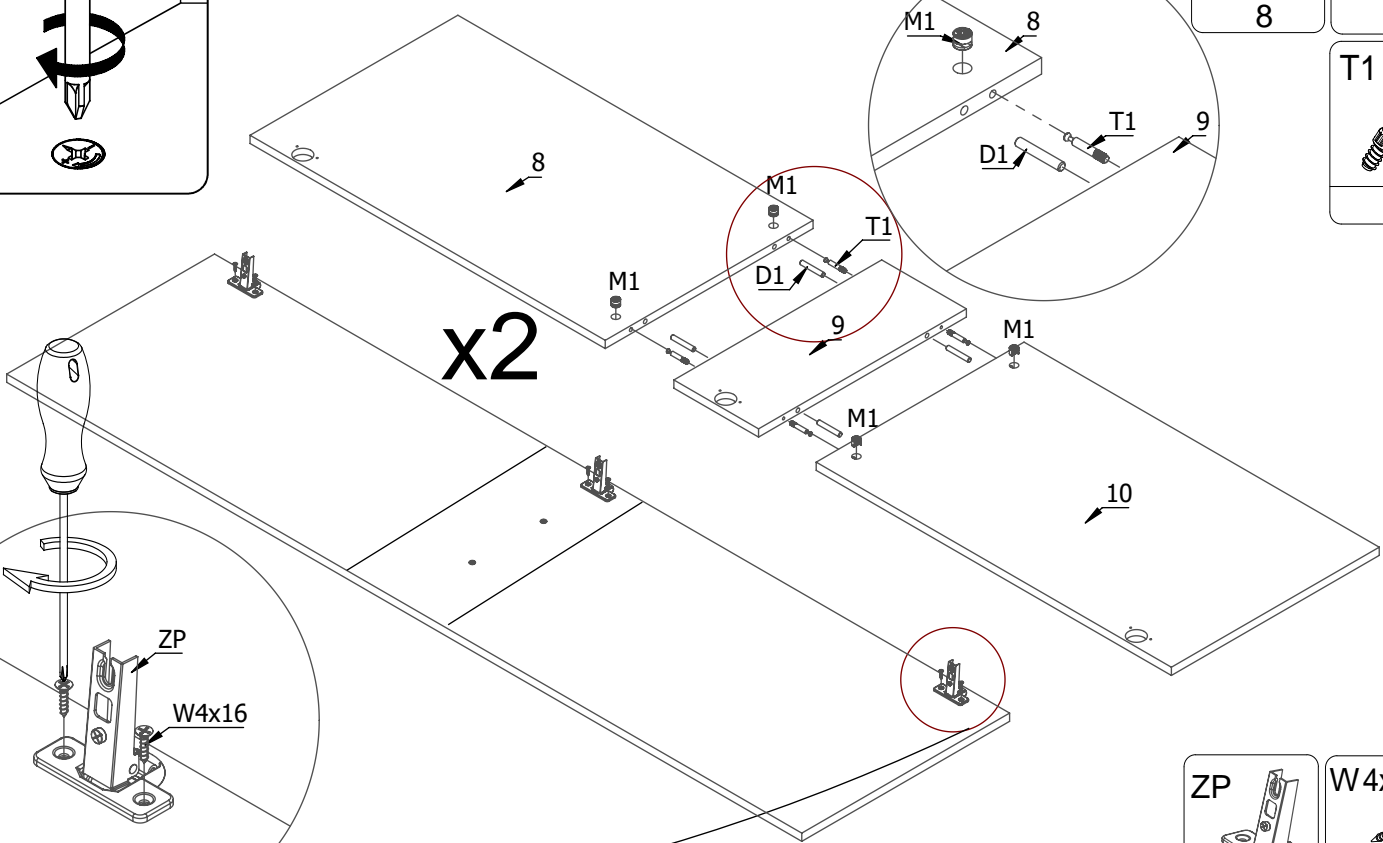
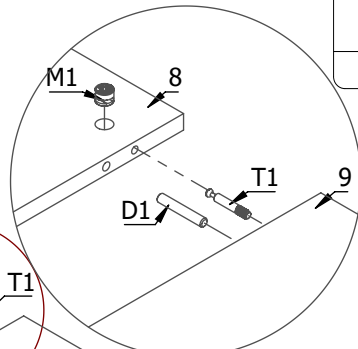
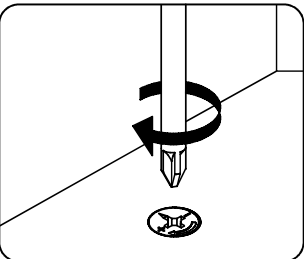
K30  4	M1  4	T1  4	UM  1	W4x16  2	PZ  3
--	---	---	---	--	---

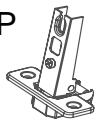



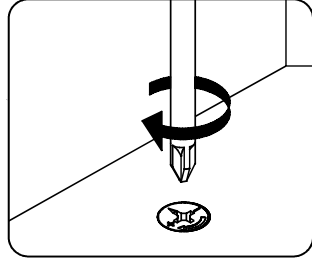
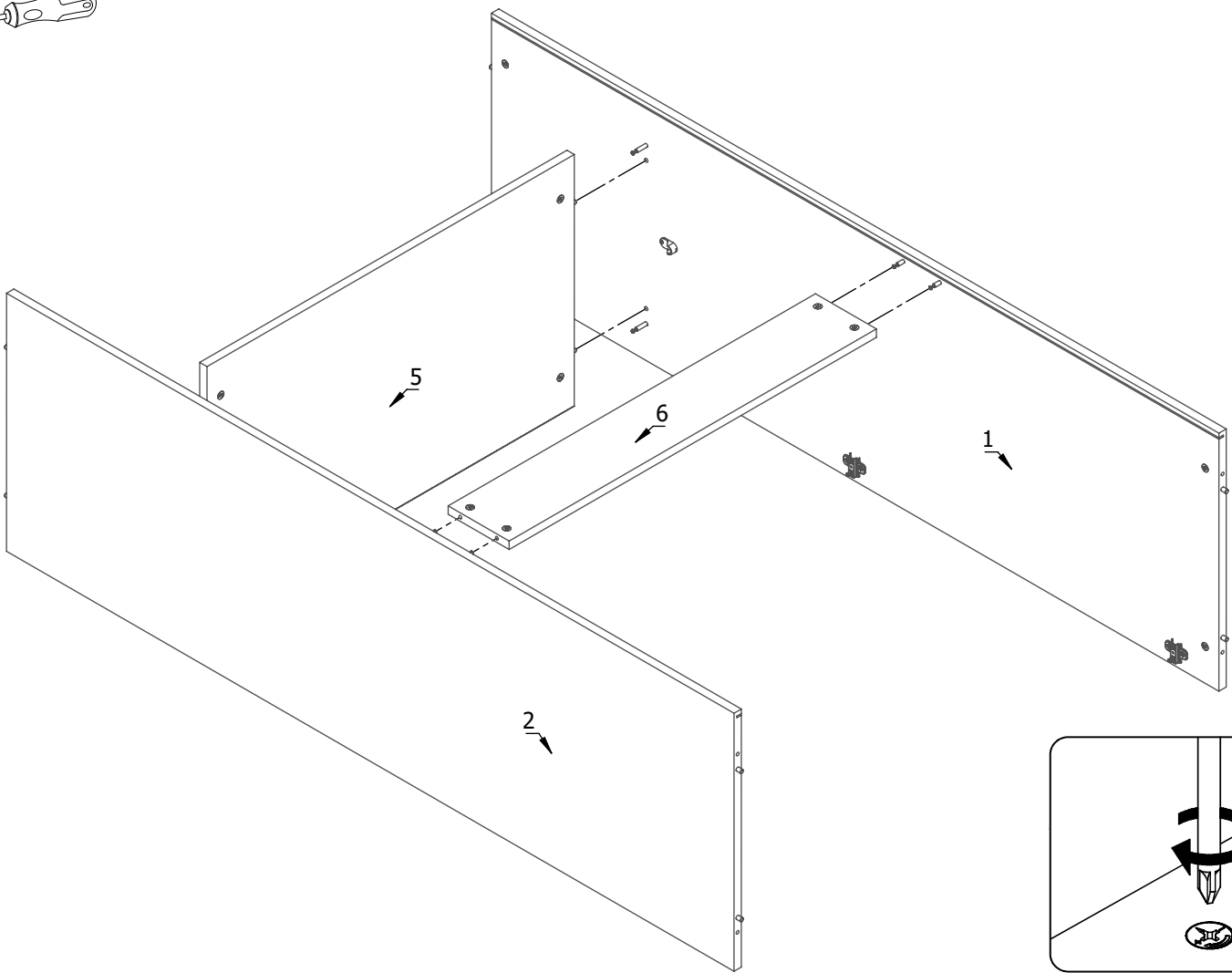
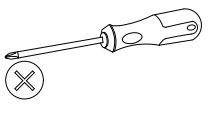
K30  4	M1  8
---	--

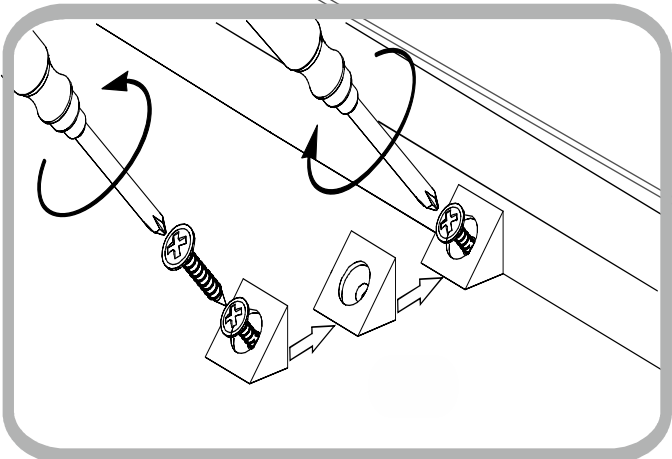
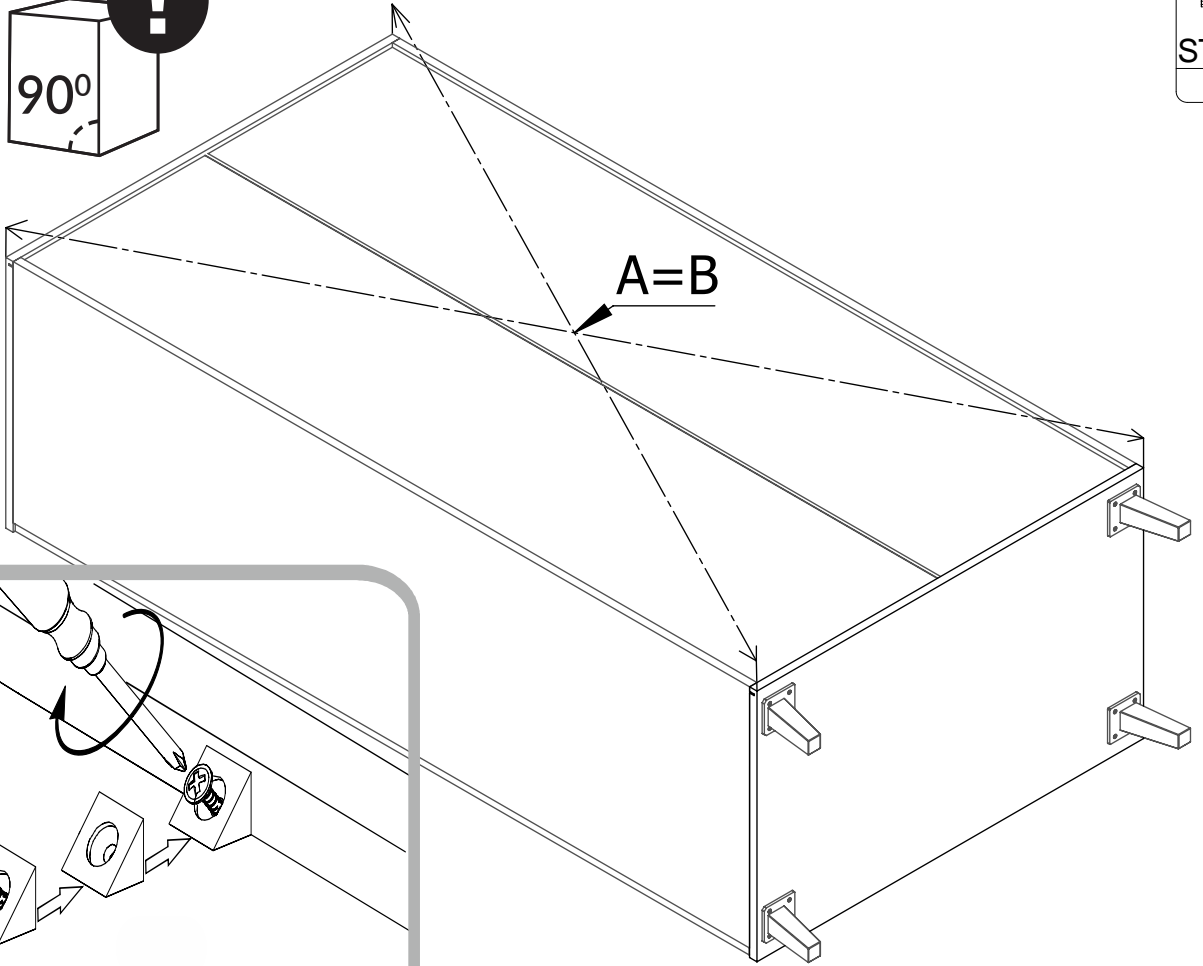
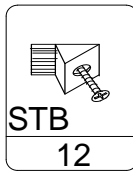
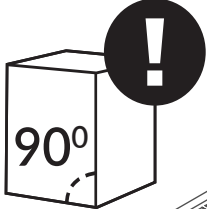
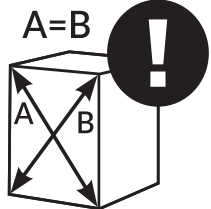
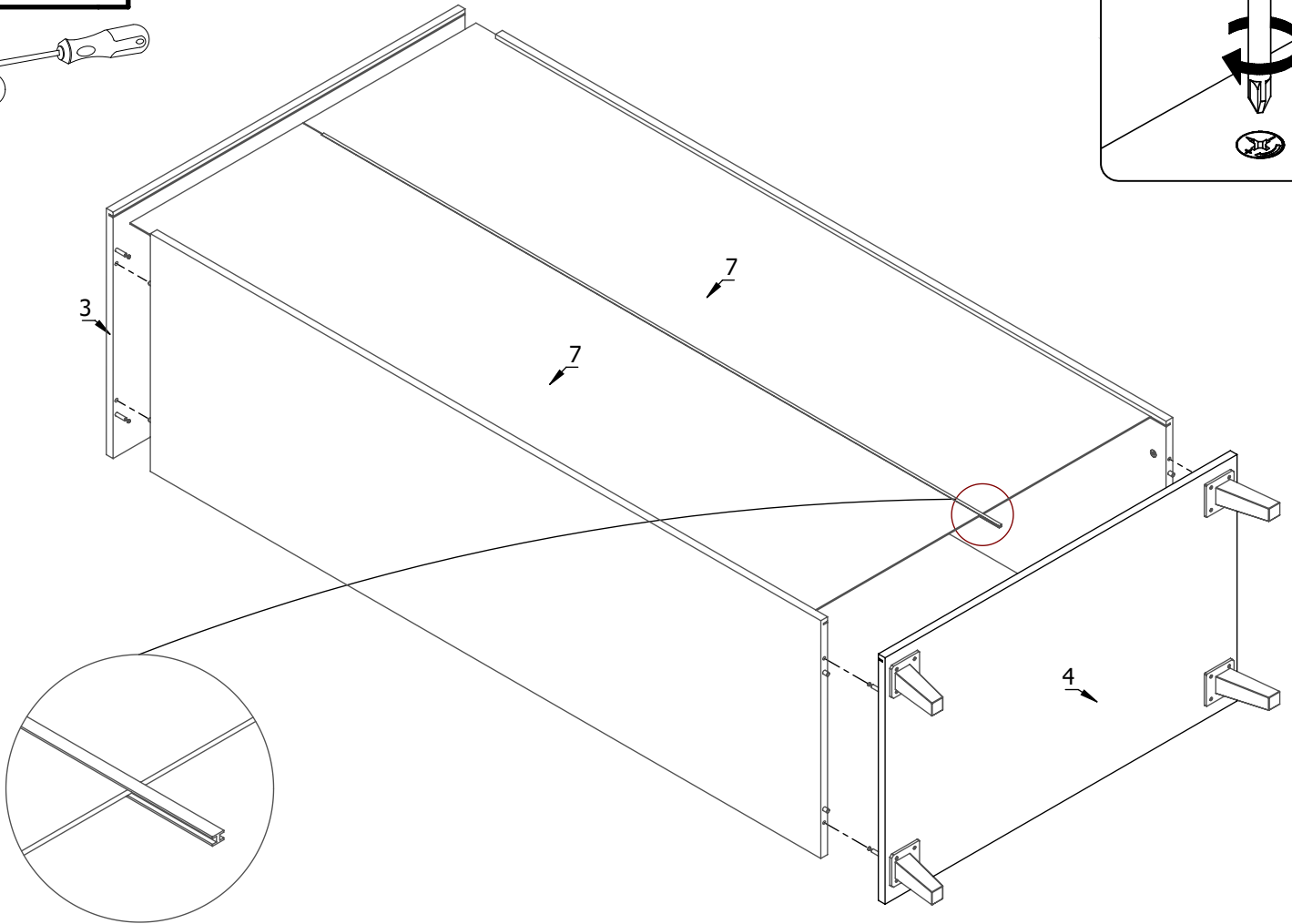
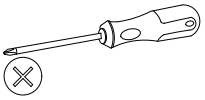
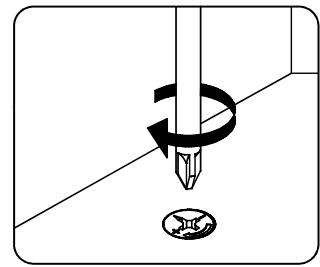



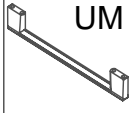
D1	M1
	
8	8
T1	
	
8	



ZP	W4x16
	
6	12





M25	UM
	
4	2

