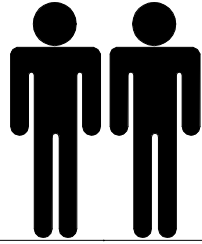


ASSEMBLY INSTRUCTION

MANHATTAN GB II 5 DRAWER CHEST



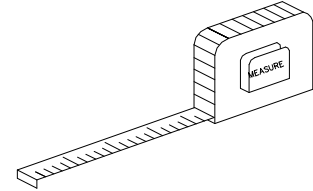
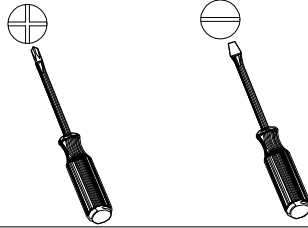
2 PERSON ASSEMBLY

FLOOR AREA
3.5M X 2.0M



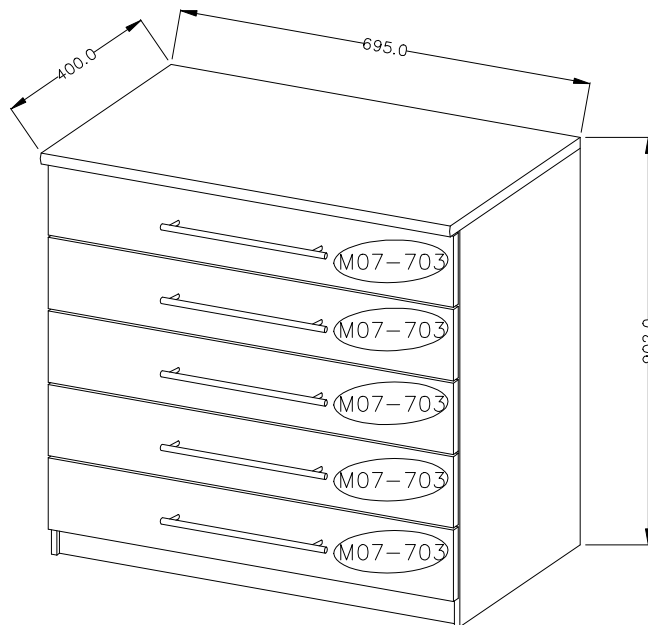
CEILING HEIGHT
2.3M

(FLAT BULD)
REQUIRED ASSEMBLY SPACE



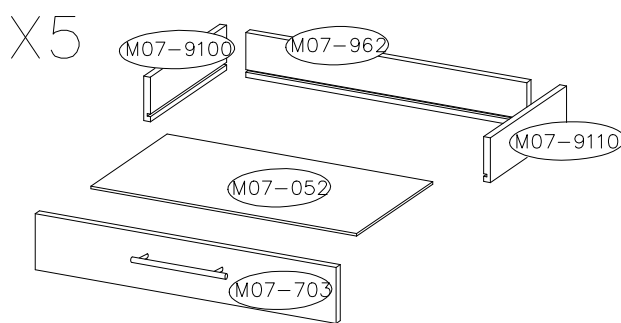
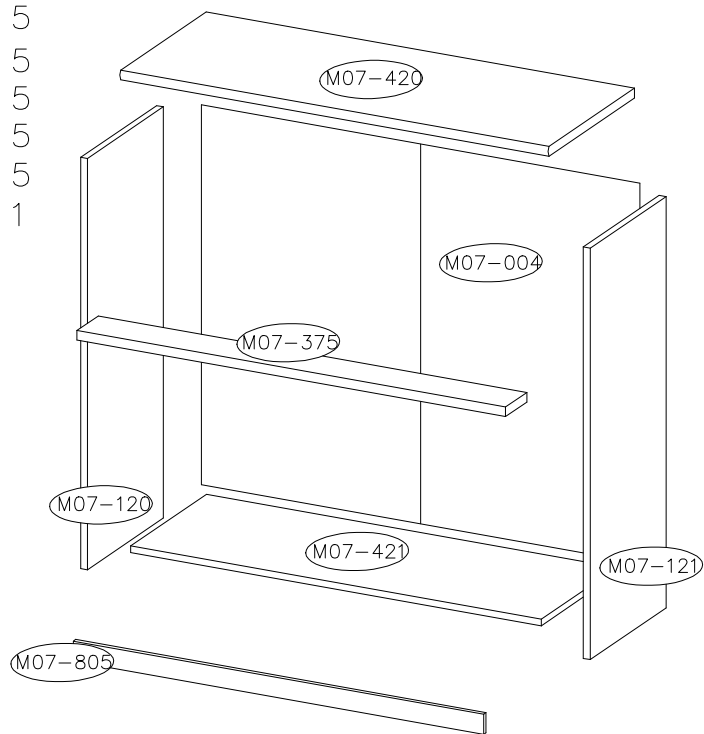
REQUIRED ASSEMBLY TOOLS

ASSEMBLED DIMENSIONS



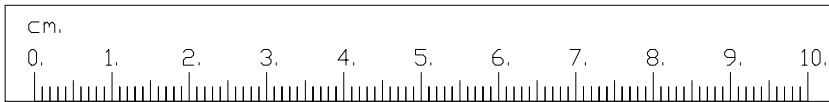
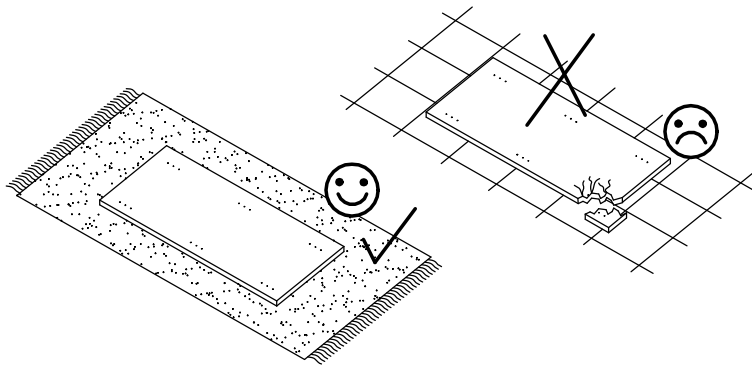
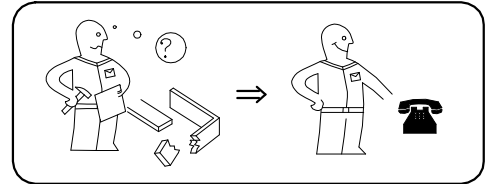
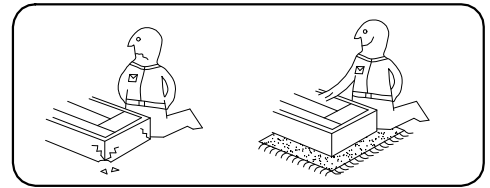
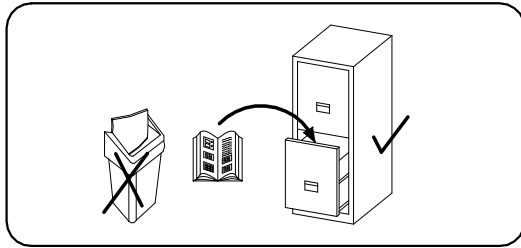
NO.	PART LIST	QTY
120	LEFT SIDE	1
121	RIGHT SIDE	1
420	UPPER PANEL	1
421	BOTTOM PANEL	1
805	BATTEN OF PLINTH	1
375	JOINING SLAT	1
703	WIDE DRAWER'S FRONT	5
9100	LEFT SIDE OF CARCASE	5
9110	RIGHT SIDE OF CARCASE	5
962	WIDE BACK PANEL OF CARCASE	5
052	WIDE BOTTOM OF DRAWER	5
004	BACK PANEL COMBINED WITH TAPE	1

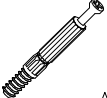





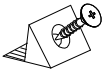
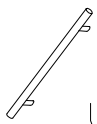
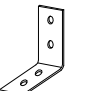

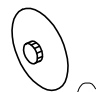

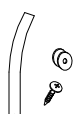
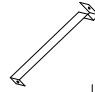


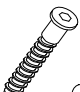
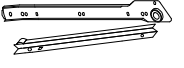
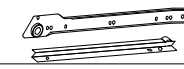
PARTS LIST



PACK 1 CONSISTS OF PARTS:

120, 121, 420, 421, 703, 805, 375,
052, 004, 9100, 9110, 962, Al, Fittings



			6.3X13 	M4.0X40 					3.5X13 
20	20	34	20	10	1	8	5	2	8
	3mm 			3.0X10 	3.0X15 	5.0X50 			
10	1	1	5	10	30	20	5 KPL		

Top Tips before you start!

1. Please check that all parts are present before you start the assembly of your furniture, as once assembled, the furniture is exempt from our home approval policy.
2. For ease and speed of assembly, we recommend that before you commence each step of the assembly, that you identify all the parts required for that step.
3. For larger items, please ensure that you have sufficient space and people (as indicated on page 1) to assemble your product safely.
4. We recommend that, where possible, all items are assembled near to the area in which they will be placed in use, to avoid moving the product unnecessarily once assembled.
5. For the protection of your furniture, particularly items of high gloss finish, we recommend that the product is placed on a protected surface during assembly to prevent any damage.
6. During assembly please take care not to over-tighten any fittings, as this may damage the product.

Care and Maintenance of your Furniture

Please periodically check all fittings and re-tighten as necessary.

To clean your item, please use a damp cloth and wipe clean.

Never allow any kind of liquid to remain on your furniture. Absorption can cause wood to warp or finishes to de-laminate.




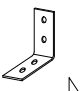

Please do not place hot items (e. g. hot drinks) directly on to the wood surface.

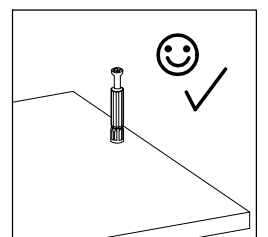
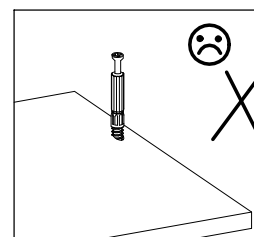
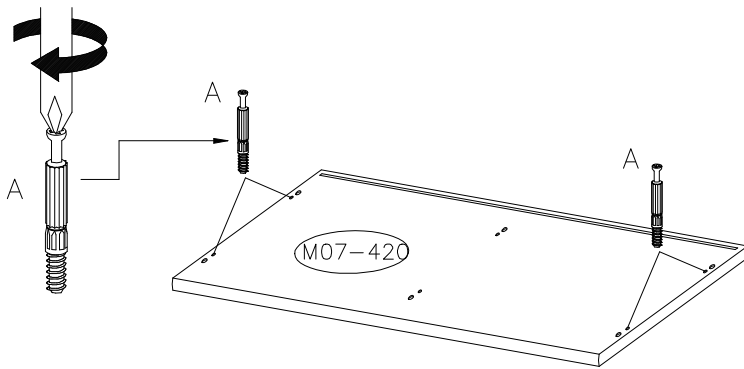
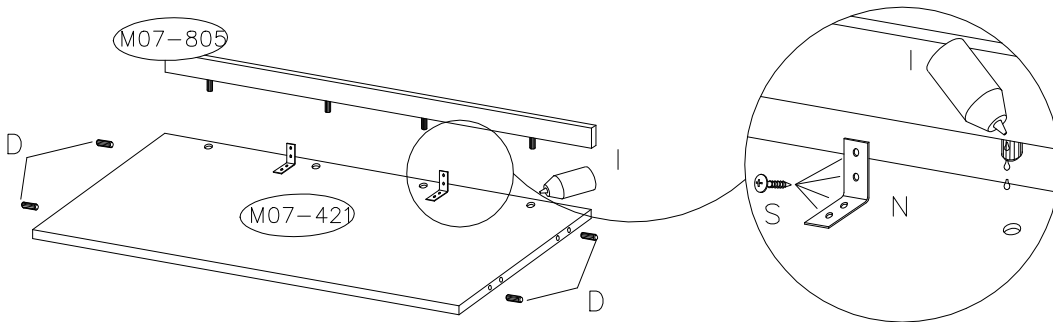
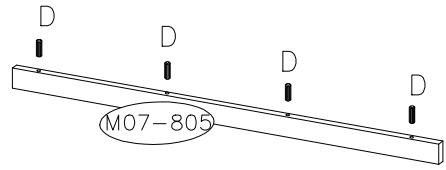
Please do not drag or pull your furniture.






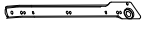

WARNING! IN ORDER TO HELP PREVENT OVERTURNING THIS PRODUCT MUST BE USED WITH THE WALL ATTACHMENT DEVICE PROVIDED

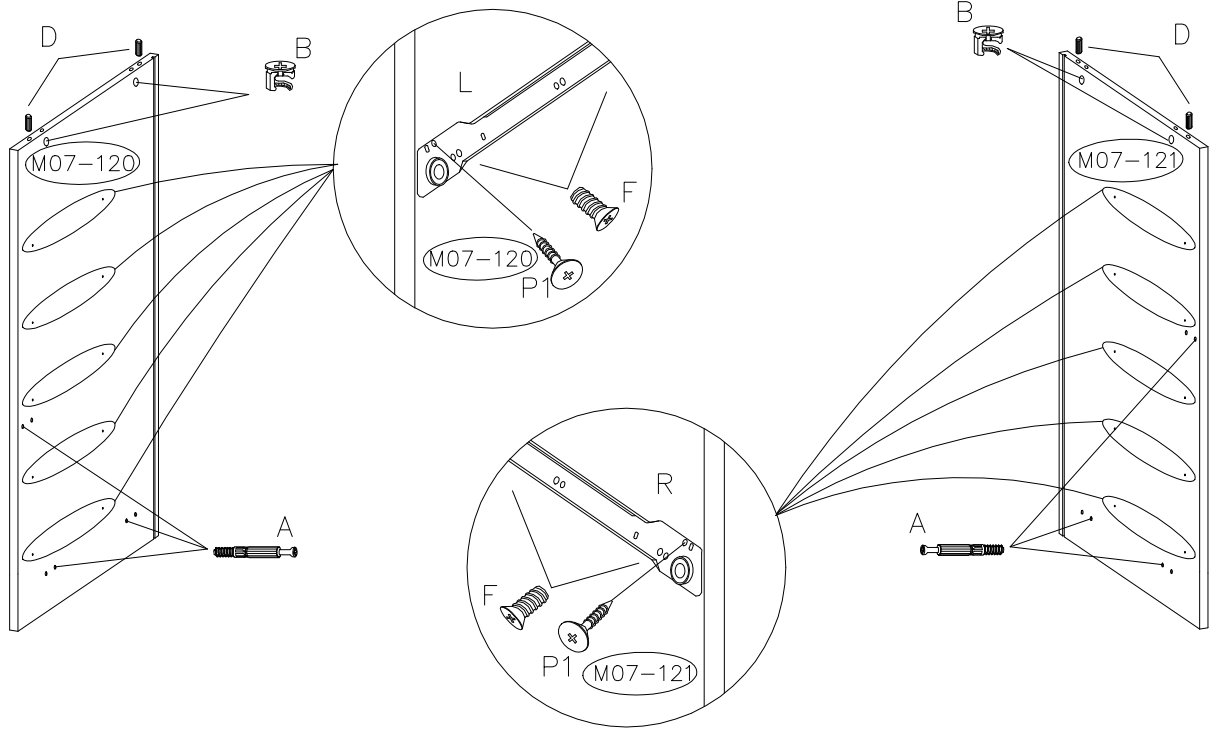
Free Standing Furniture with a height over 600mm



- Use the wall attachment device provided
- Never allow children to climb or hang on drawers, doors or shelves.
- Place heaviest items in the lower drawers or shelves
- Unless specifically designed to accommodate, do not set TV's or other heavy objects on top of this product.
- Never open more than one drawer at a time.

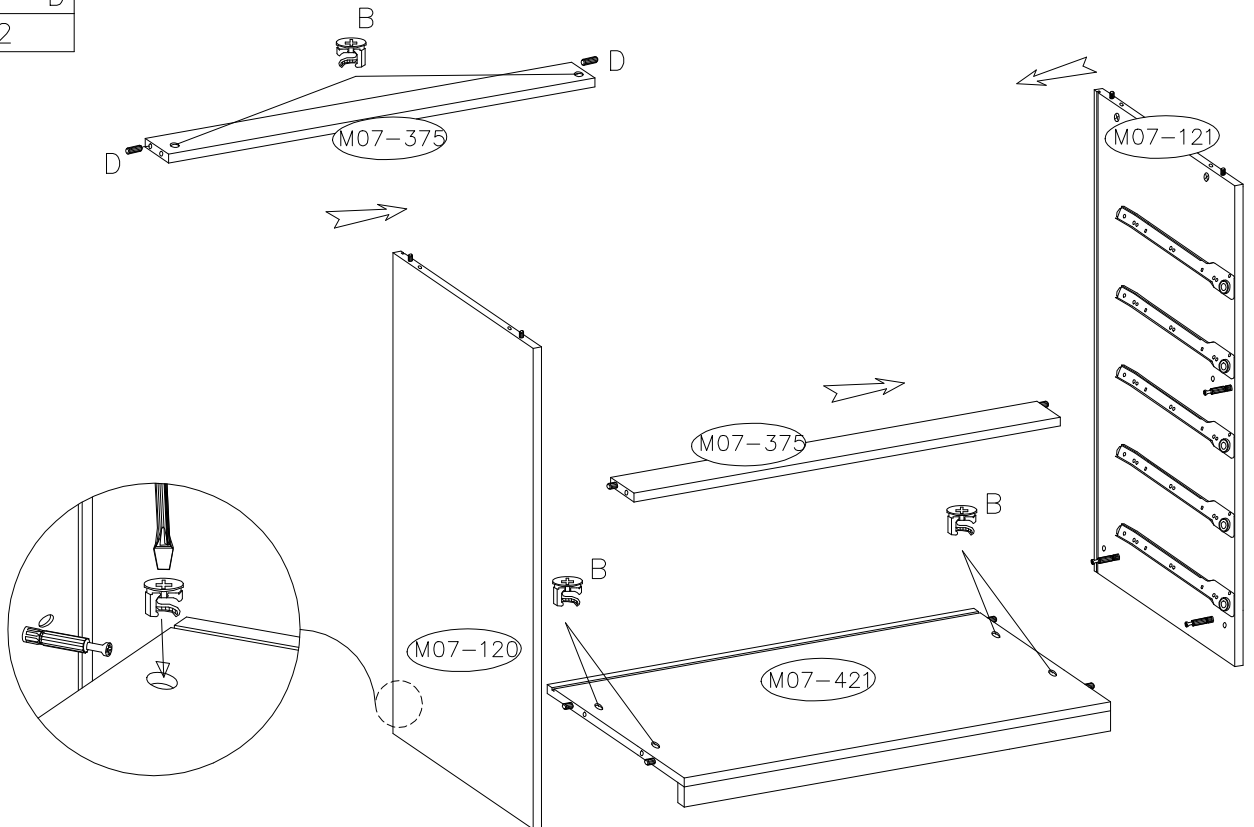
 A	 D	 I	 N	3.5X13  S
4	8	1	2	8

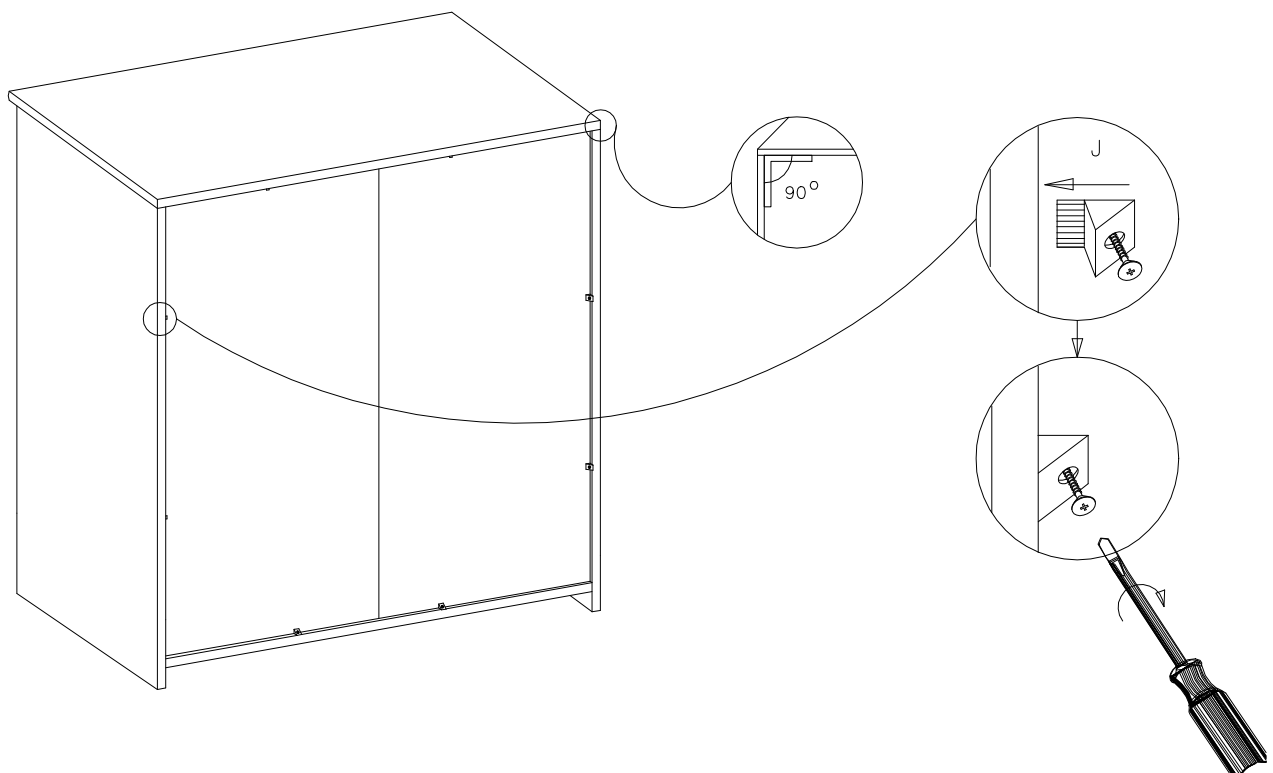
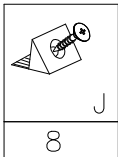
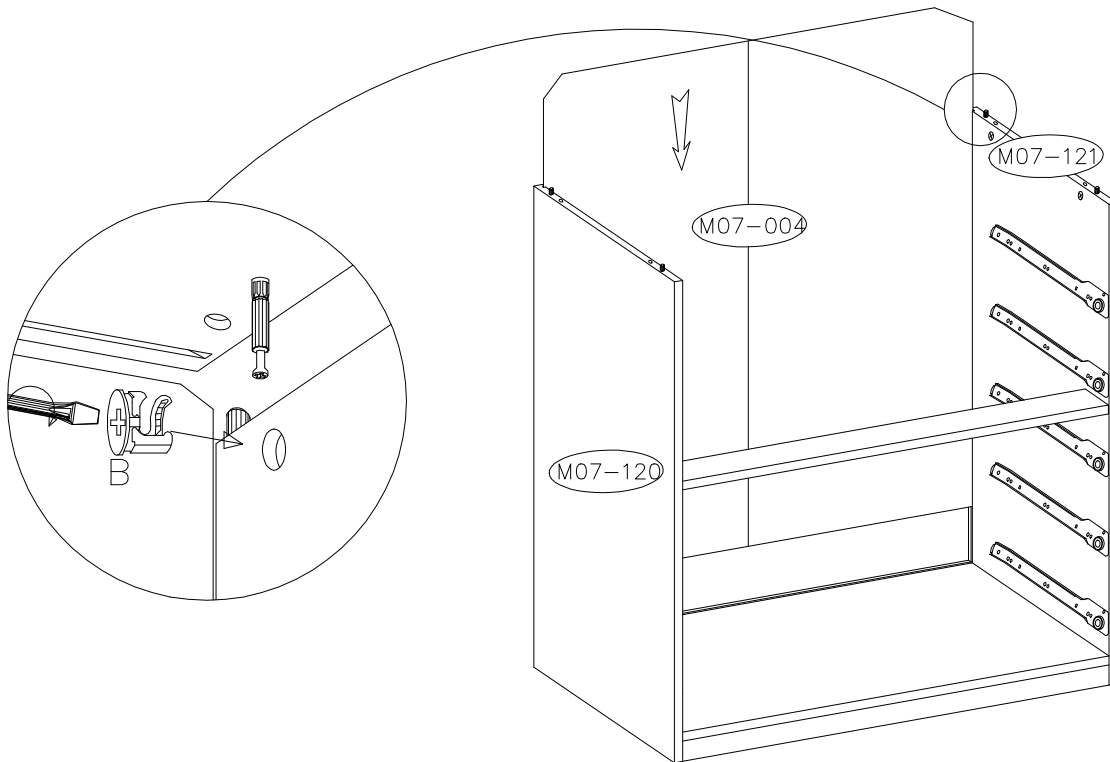
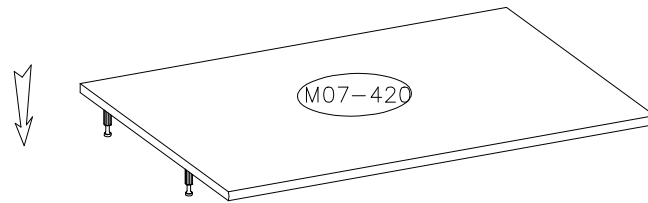









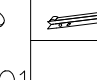
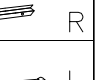

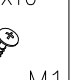
			6.3X13 	3.0X15 	 R  L
6	4	4	20	10	5 KPL

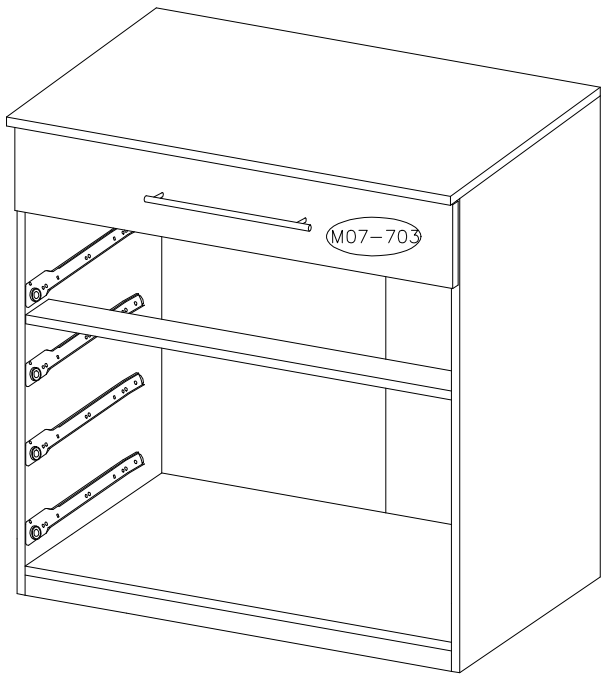
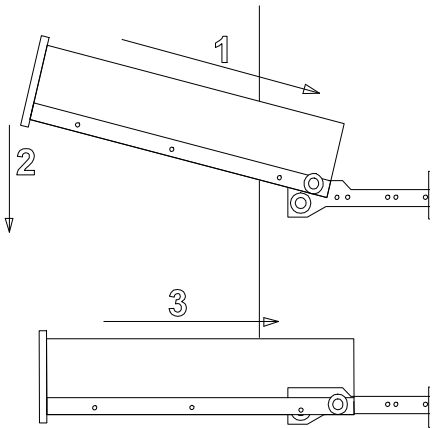
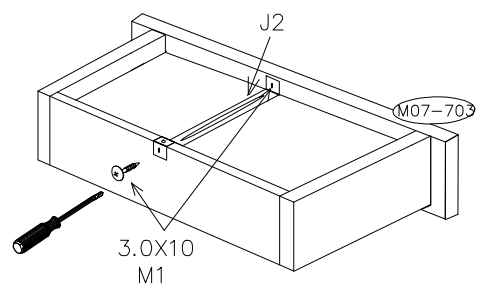
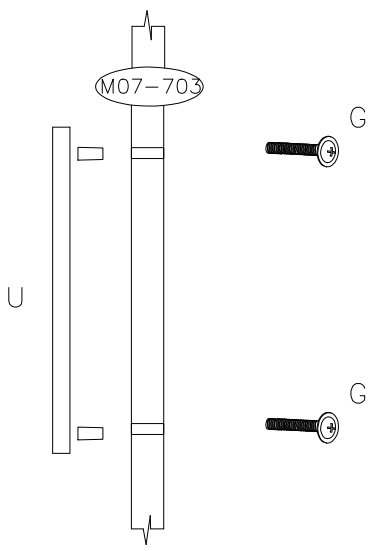
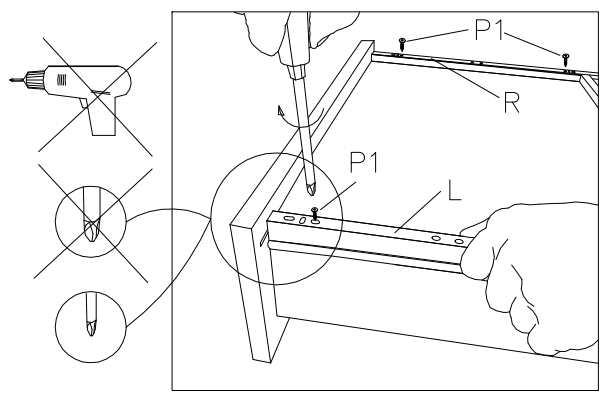
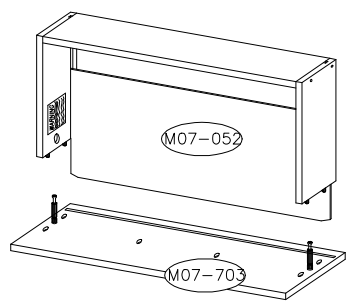
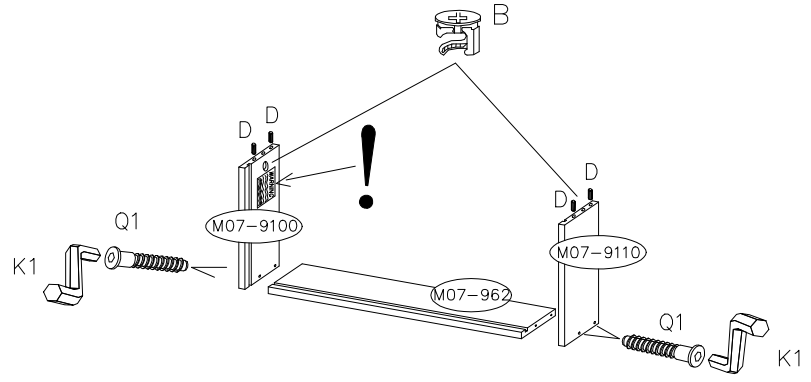
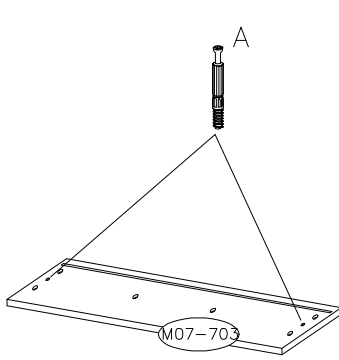














	
6	2




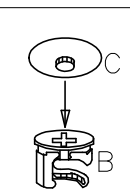
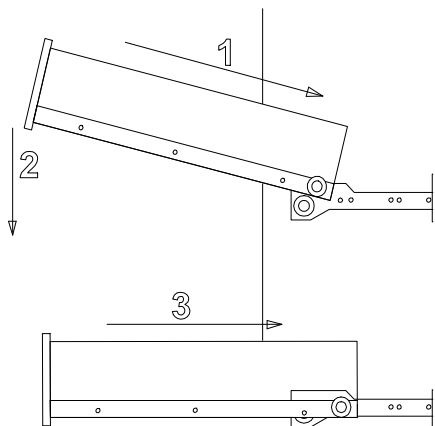
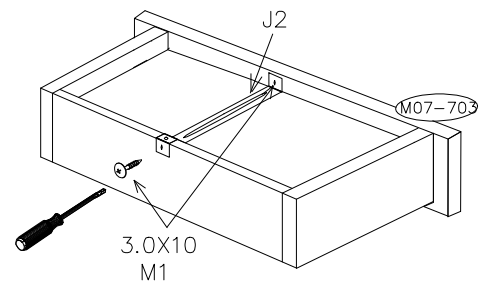
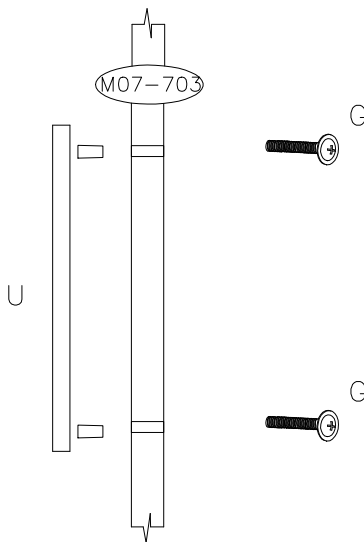
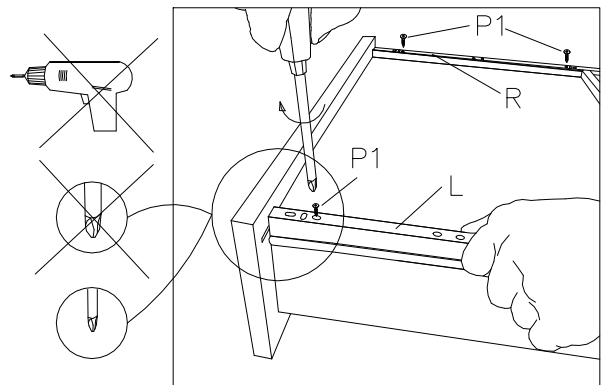
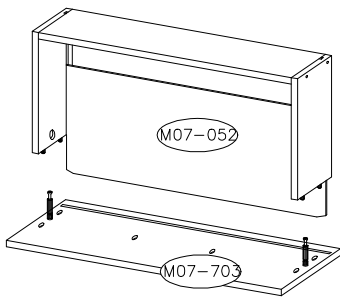
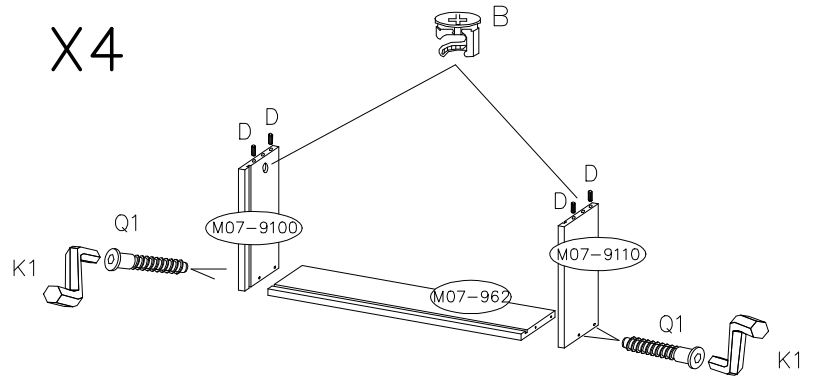
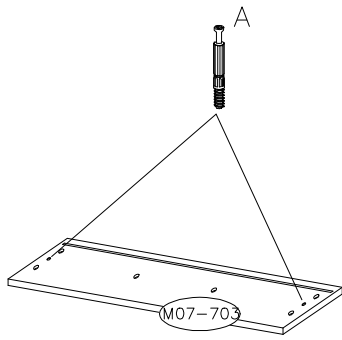


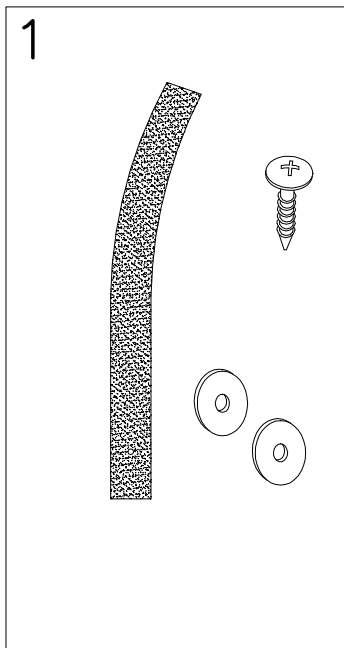
 D	 A	 B	 M4.0X40 G	 U	 3mm K1	 3.0X15 P1	 5.0X50 Q1	 R L	 3.0X10 J2	 3.0X10 M1
4	2	2	2	1	1	4	4	1 KPL	1	2



 D	 A	 B	M4.0X40  G	 U	3mm  K1	3.0X15  P1	5.0X50  Q1	 R	 L	 J2	3.0X10  M1
16	8	8	8	4	1	16	16	4 KPL	4	8	

 C
10





! Uwaga • Upozornini • Achtung • Attention • Caution • Figyelem ! ! Attenzione • Opgelet • Внимание • Atentie • Upozornenie • Dikkat !	
PL	Mocowanie do ściany jest jednocześnie zabezpieczeniem przed przewróceniem – konieczne zamontować!
CZ	Do některých rodziůw ťian koniecznie zastoťowaã ťpeciãlne koãki mocujice. Montãž na ťtenu ťlouží jako ochrana proti pãevrhnutí – bezpodmieneãne ťmístete! U některých typů ťtěn mãže být zapotřebí ťpeciãlní hmoždinka!
D	Wandbefestigung dient als Kippschutz – unbedingt anbringen! Bei einigen Wandtypen kann ein Spezialdübel erforderlich sein!
GB	The wall fastening serves to prevent tipping – be absolutely sure to mount it! For certain wall types, a special wall plug may be necessary!
FR	La fixation murale sert de protection contre le basculement – à installer impérativement ! Pour certains types de murs il faut des chevilles spéciales !
NL	Bevestiging aan de muur dient als kantelbescherming – zeker en vast bevestigen! Bij enkele muurtypes is een speciale plug misschien vereist!
IT	Il fissaggio alla parete serve da protezione anti-ribaltamento – attaccarla assolutamente! Per alcune strutture di parete puõ essere necessario un tassello speciale!
HU	A termék a falhoz kel rögzítenei, különben az felborulhat! Egyes faltípusoknál speciãlis tiplít kell hasznãlni!
RU	Обязательно установите крепление на стене во избежание опрокидывания! Для некоторых типов стен может потребоваться специальный дюбель!
RO	Sistemul de fixare la perete serve ca protecãie la rãsturnare – de montat obligatoriu!
SK	Pre niektoré druhy ťtien mãže byť potrebnã ťpeciãlnã hmoždinka! Upevnenie na ťtenu ťlouží ako ochrana proti pãevrãtenu – bezpodmieneãne použitel!
TR	Duvardaki sabitleme, devrilmeye karťı bir emniyet tedbiridir ve mutlaka monte edilmelidir! Bazı duvar tiplerinde bunun için özel bir dübel gerekli olabilir!

