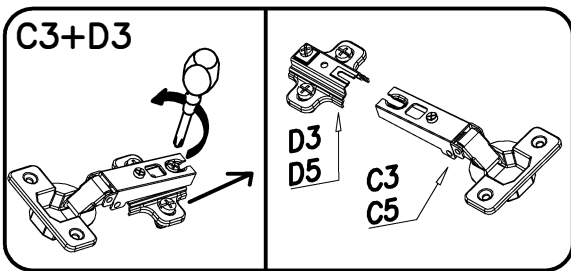
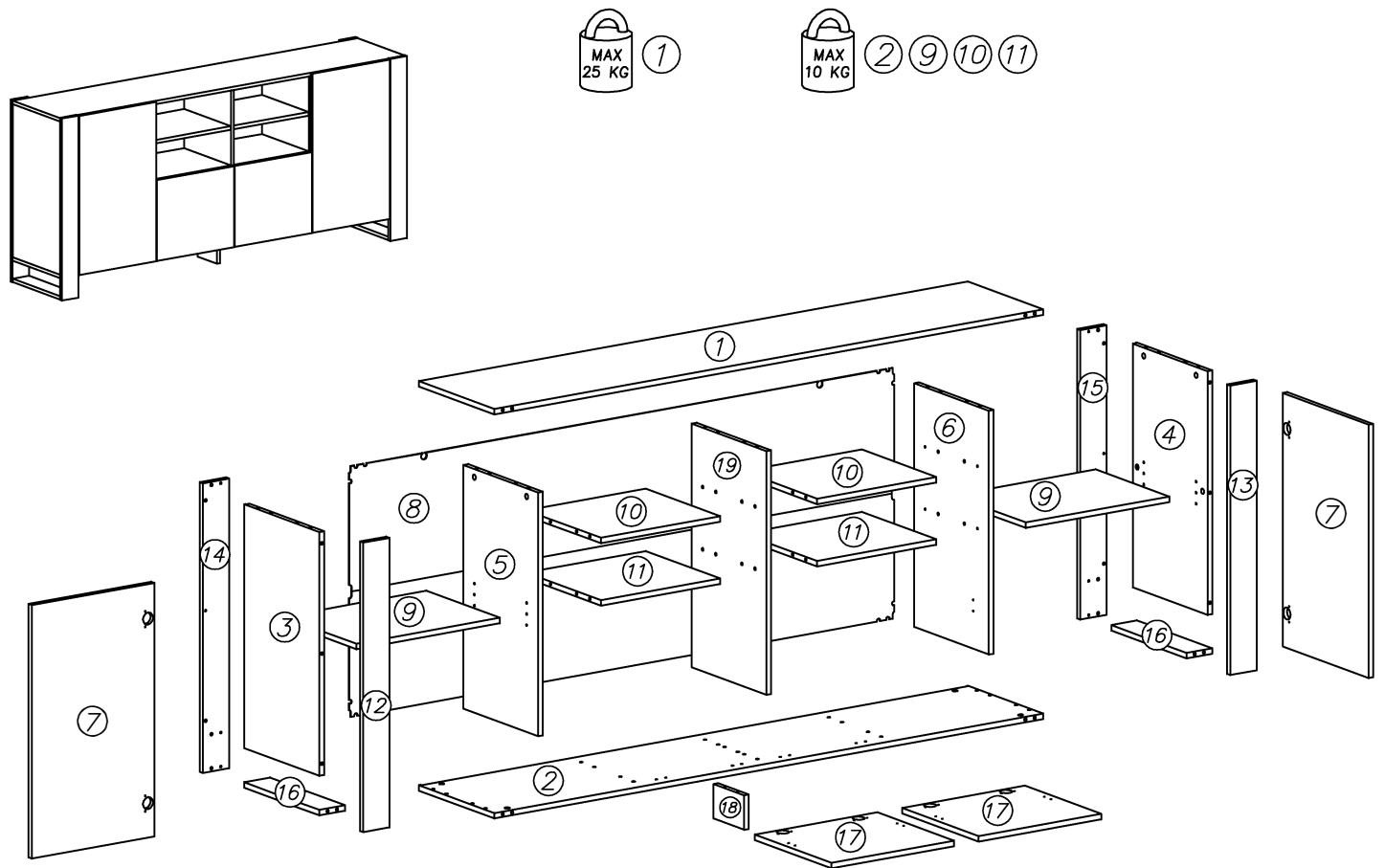
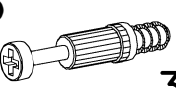

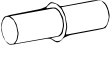
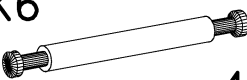
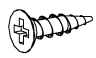
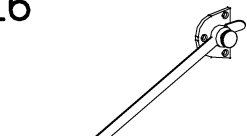

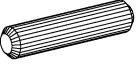

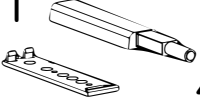
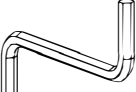
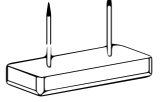

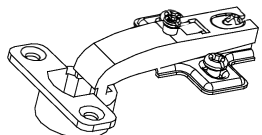
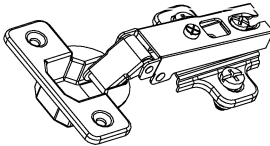



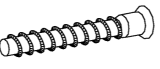
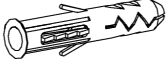
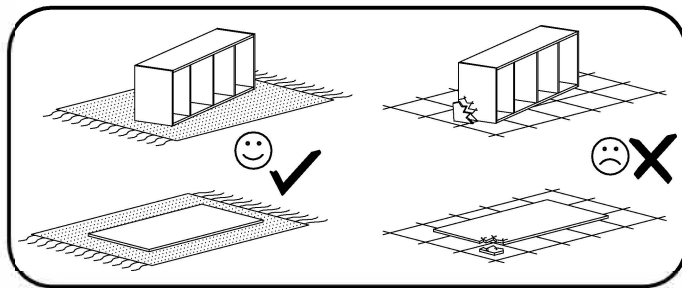


Montana skrinka 188

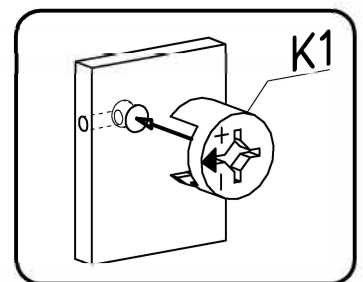
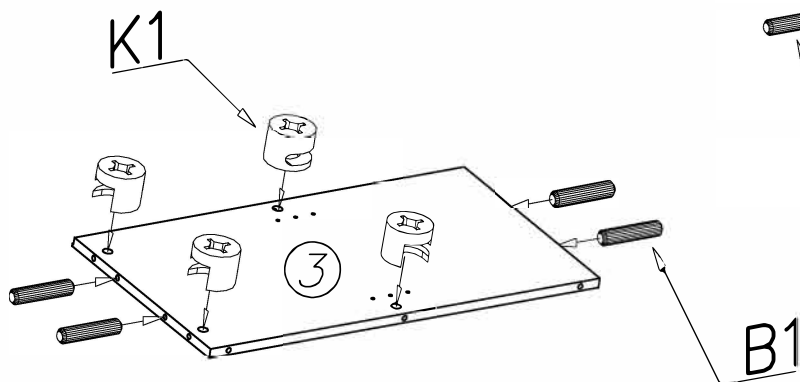
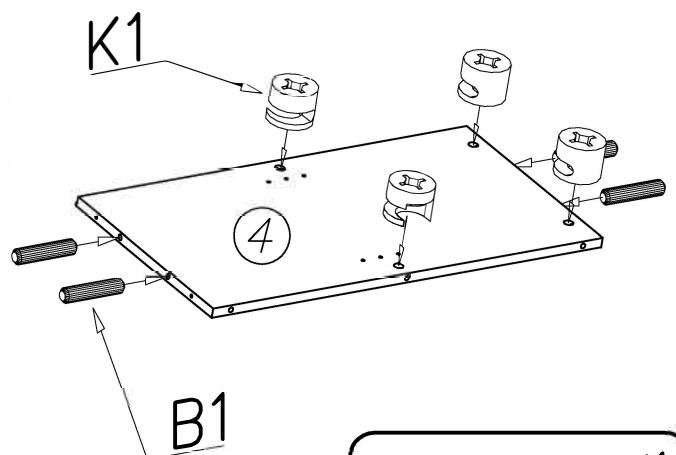
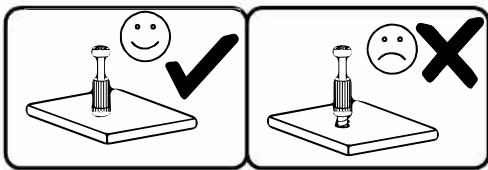
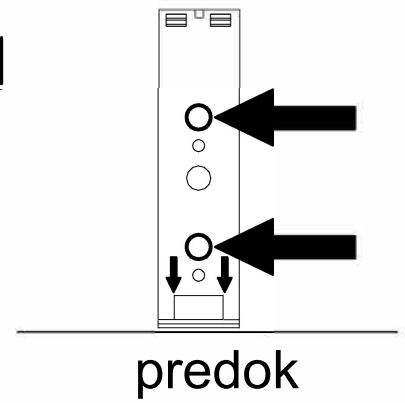
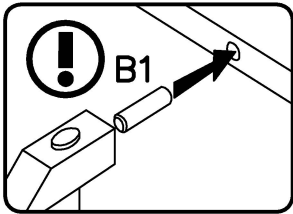
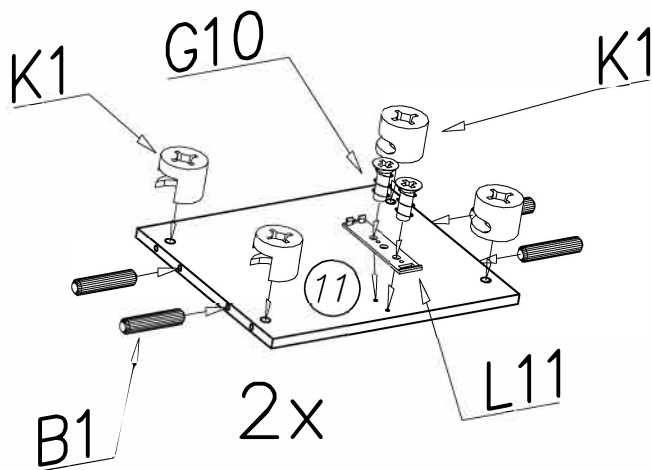
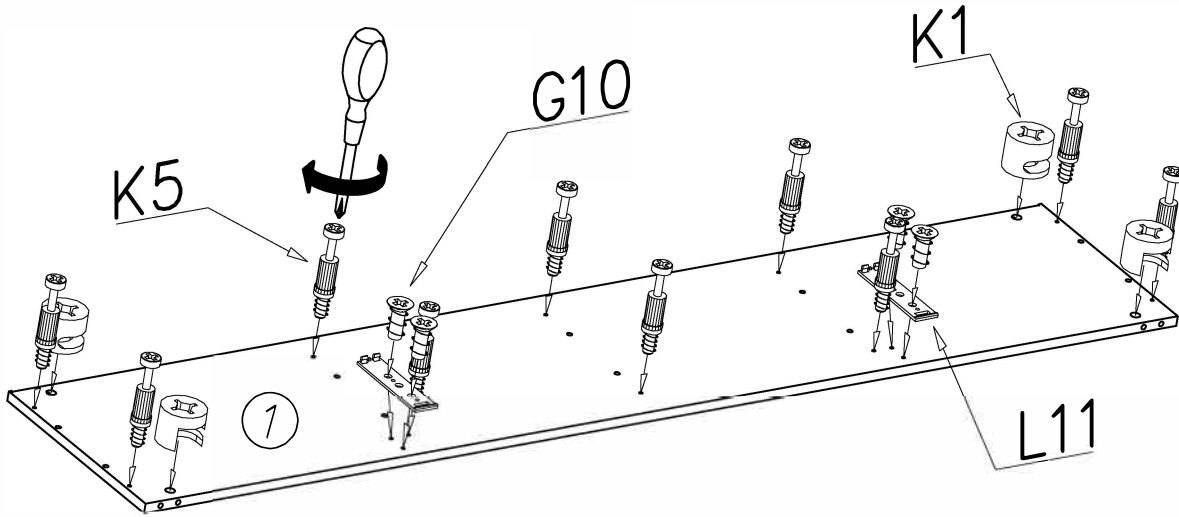


| | | | | | |
|---|---|---|--|---|--|
| K5  34x | K1  ø15x12 42x | F2  8x | K6  4x | G34  3,5x16 24x | L6  2x |
| W4  95x | B1  ø8x30 56x | I7  ø18 38x | L11  4x | W2  4mm 1x | P5  5x |
| G10  6x13 8x | C5+D5  Z35R0 4x | C3+D3  Z35PR 4x | M11  2x | G24  4x16 4x | G33  4x40 2x |
| A1  ø7x50 12x | U8  ø8x40 2x | | | | |

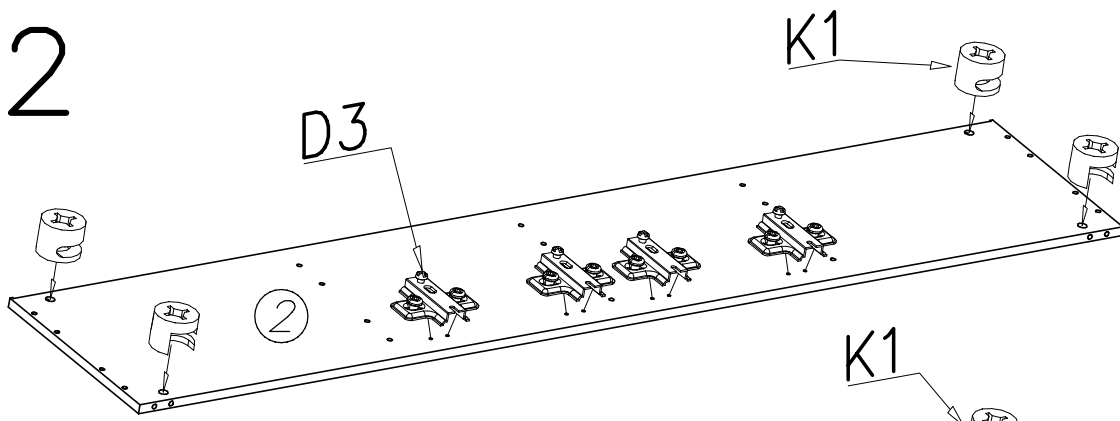
1



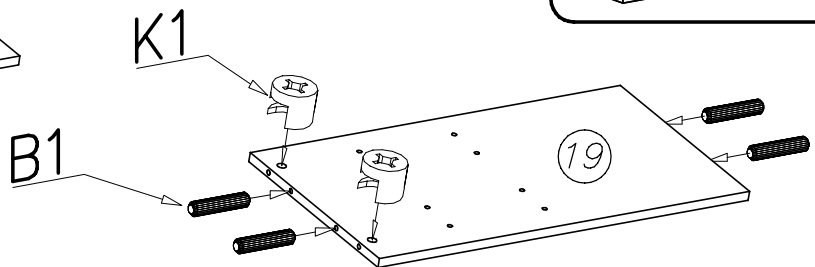
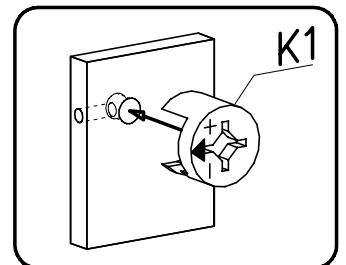
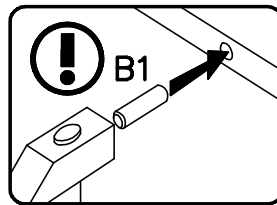
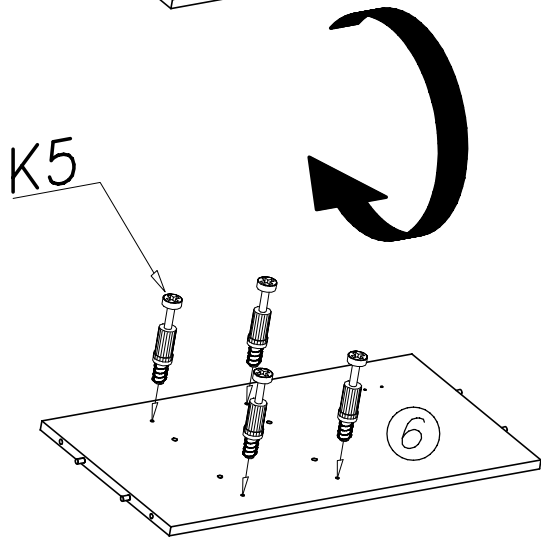
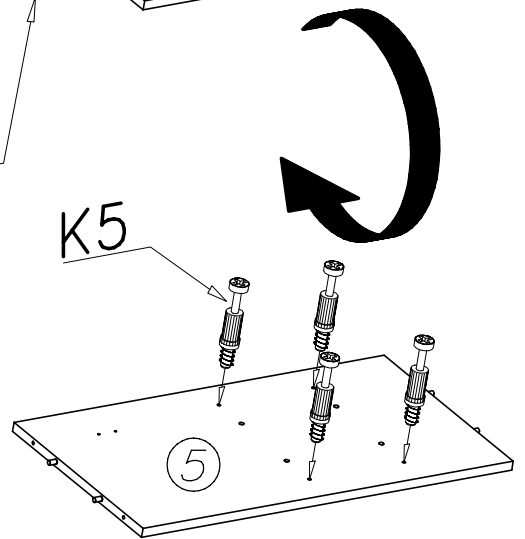
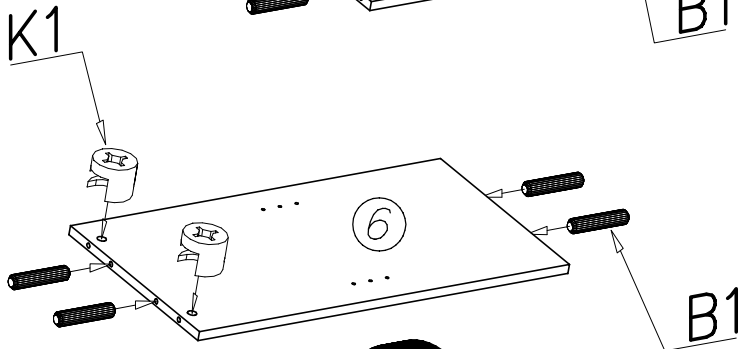
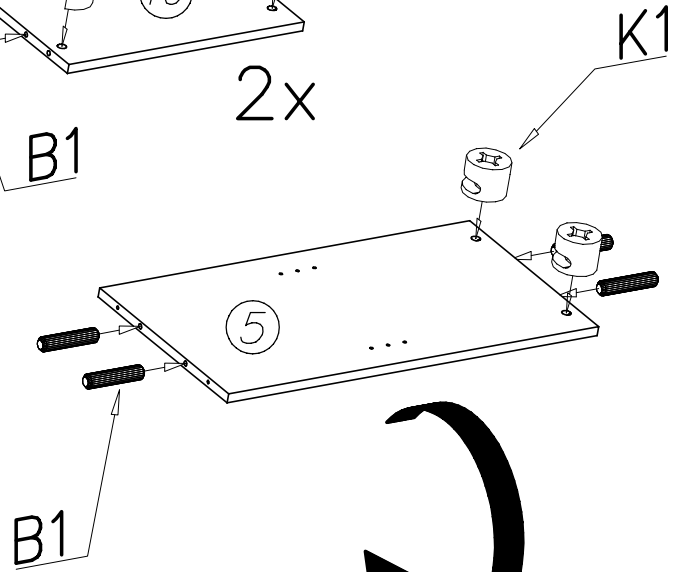
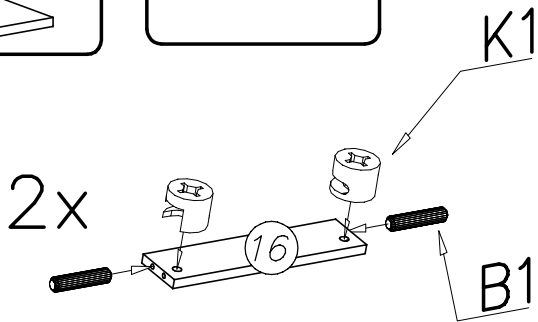
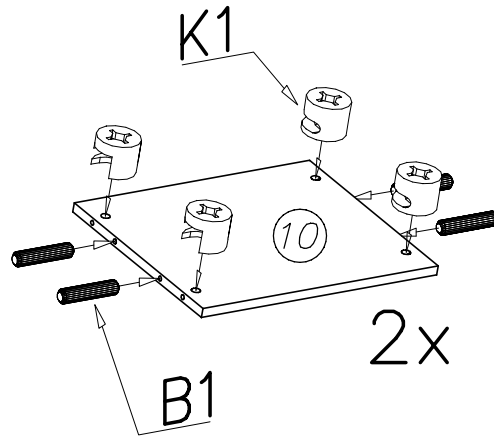
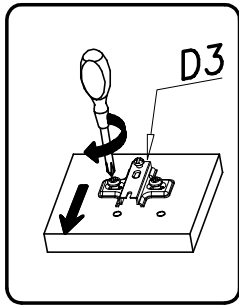
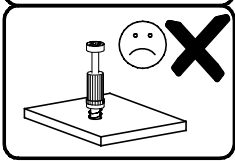
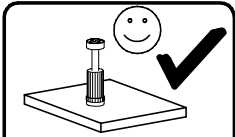
| | | |
|--------|--|-----|
| K5 | | 10x |
| L11 | | 4x |
| G10 | | 8x |
| 6x13 | | 8x |
| K1 | | 20x |
| ø15x12 | | 20x |
| B1 | | 16x |
| ø8x30 | | 16x |



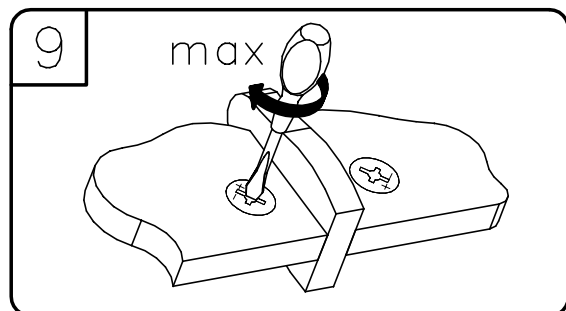
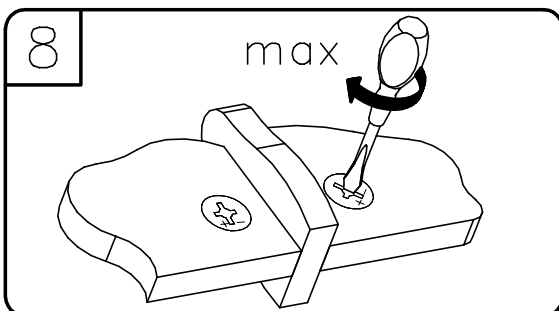
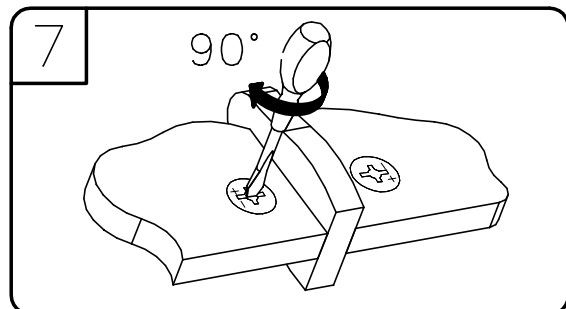
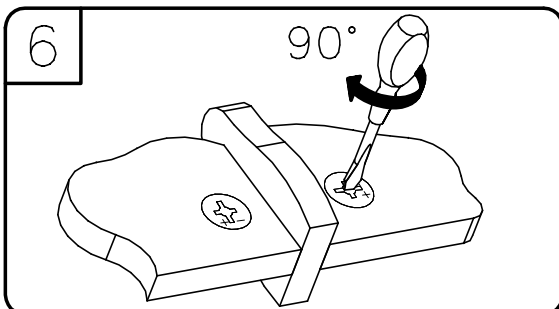
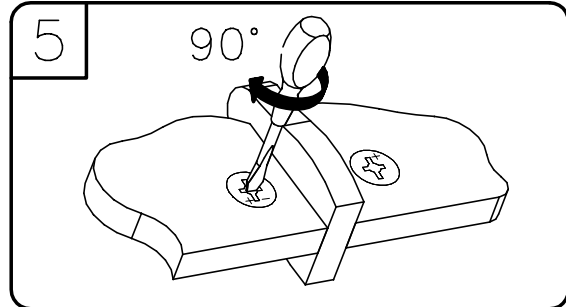
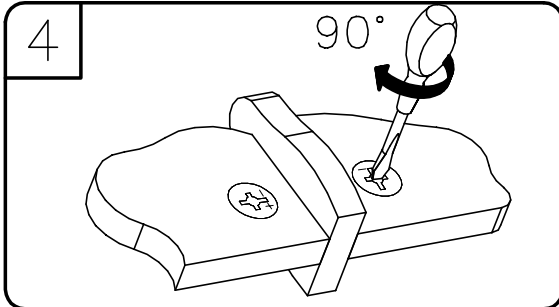
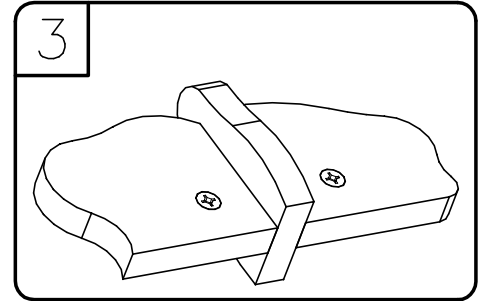
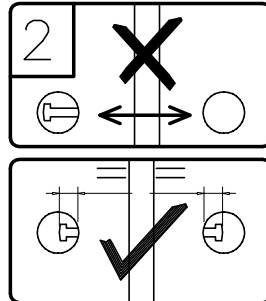
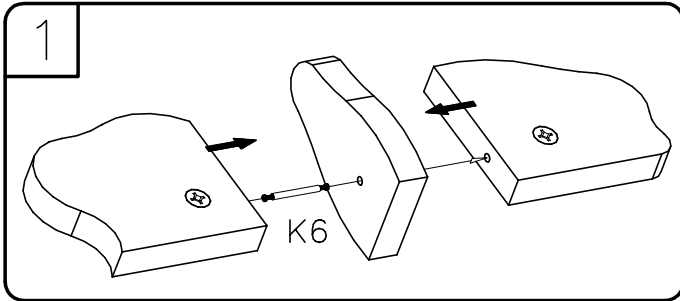
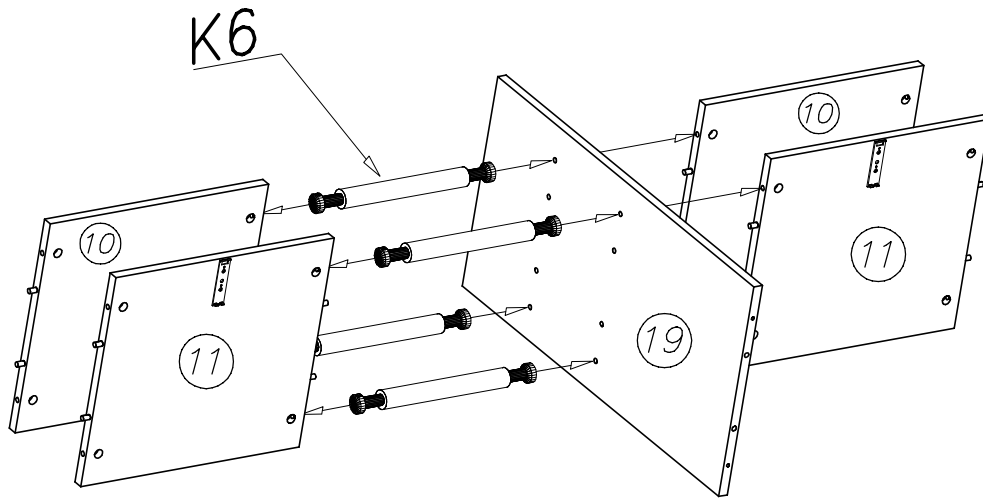
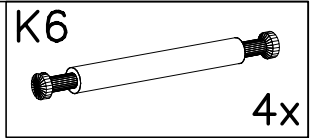
2



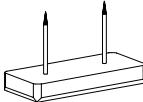
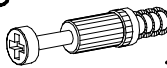
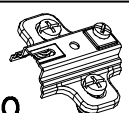
| | | |
|--------|--|-----|
| K5 | | 8x |
| D3 | | 4x |
| Z35PR | | 4x |
| K1 | | 22x |
| ø15x12 | | |
| B1 | | 24x |
| ø8x30 | | |

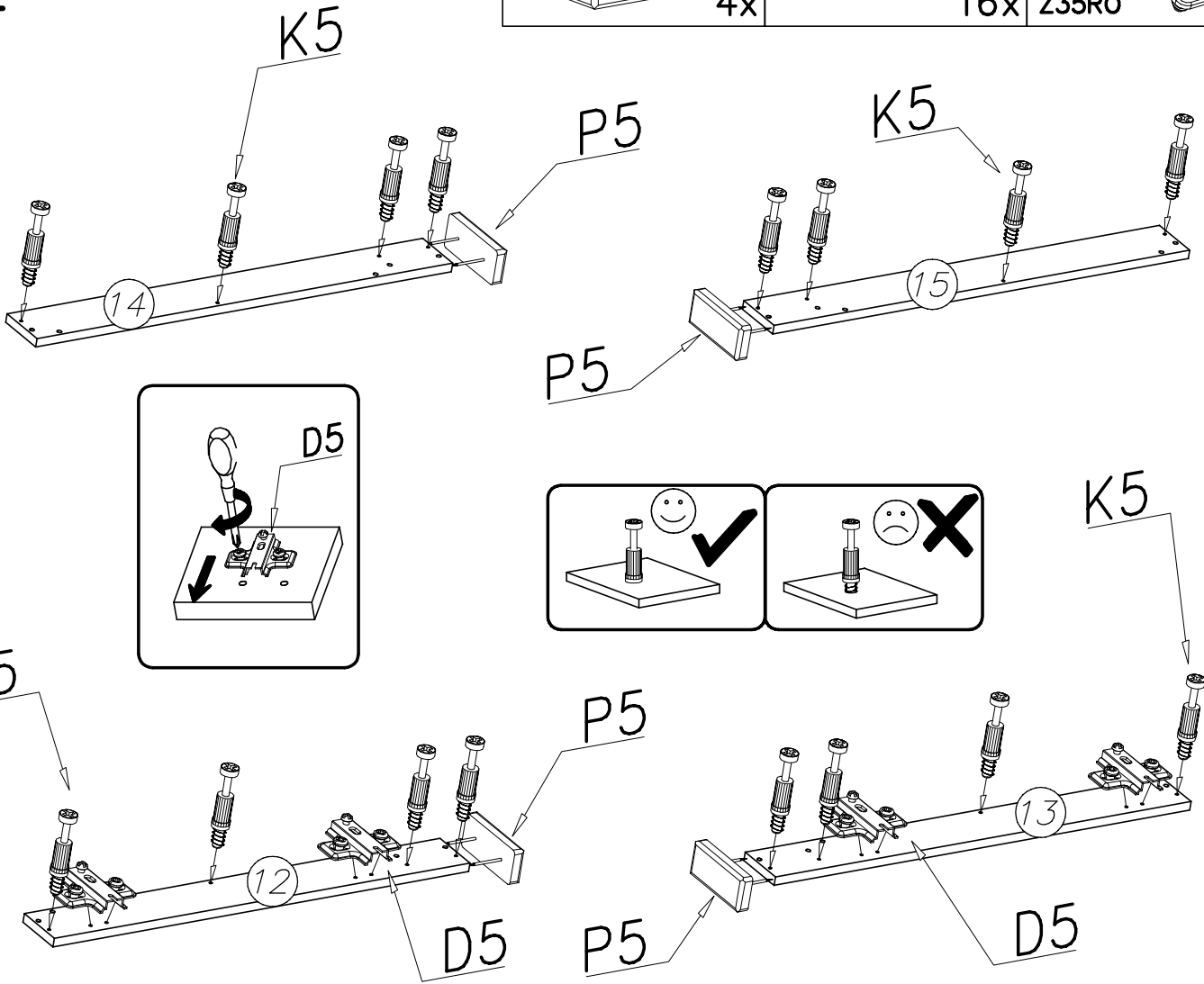


3

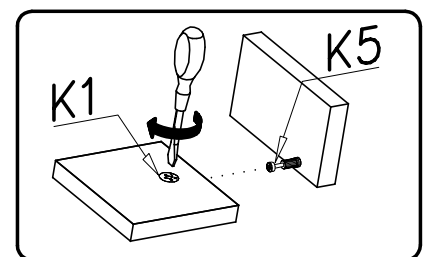
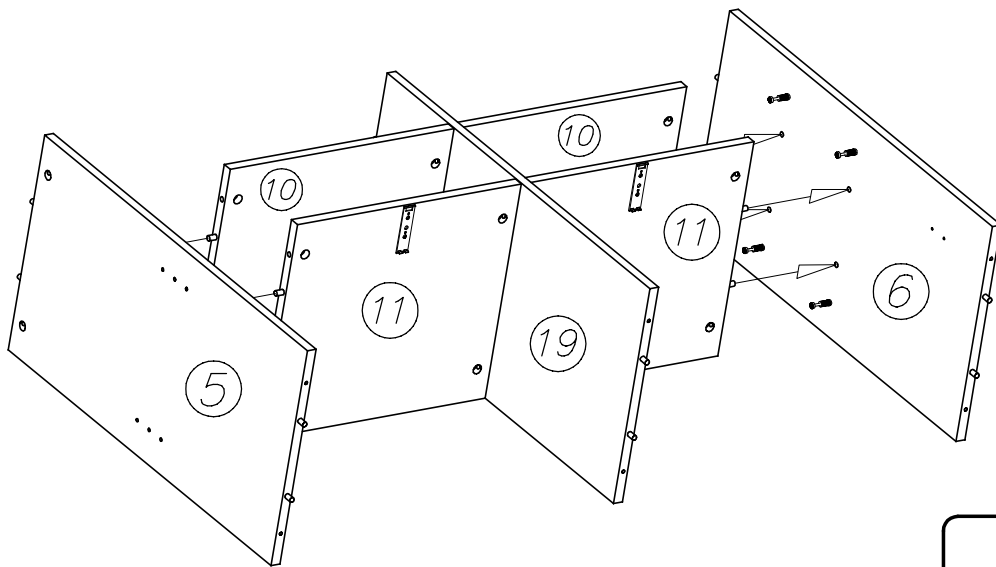


4

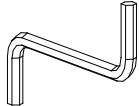

| | | |
|--|---|---|
| P5  4x | K5  16x | D5  Z35RO 4x |
|--|---|---|

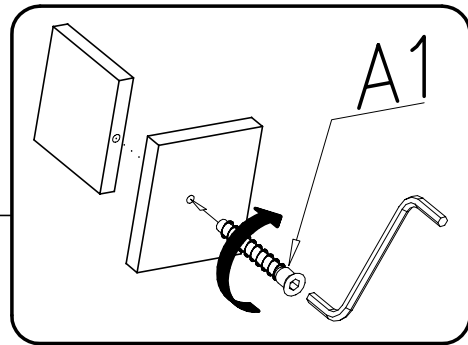
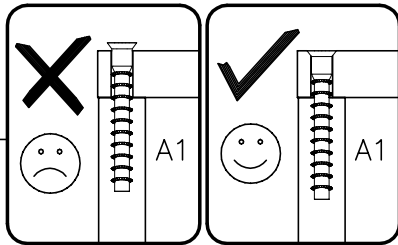
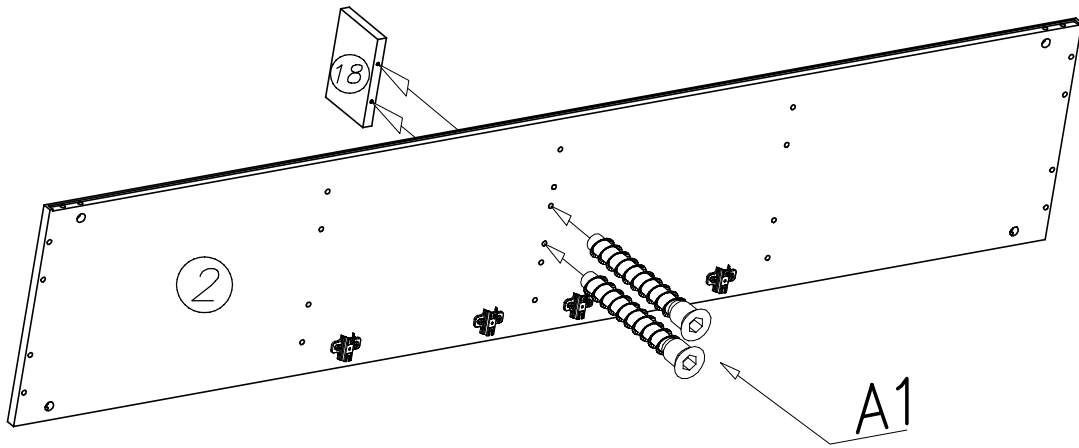


5

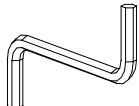



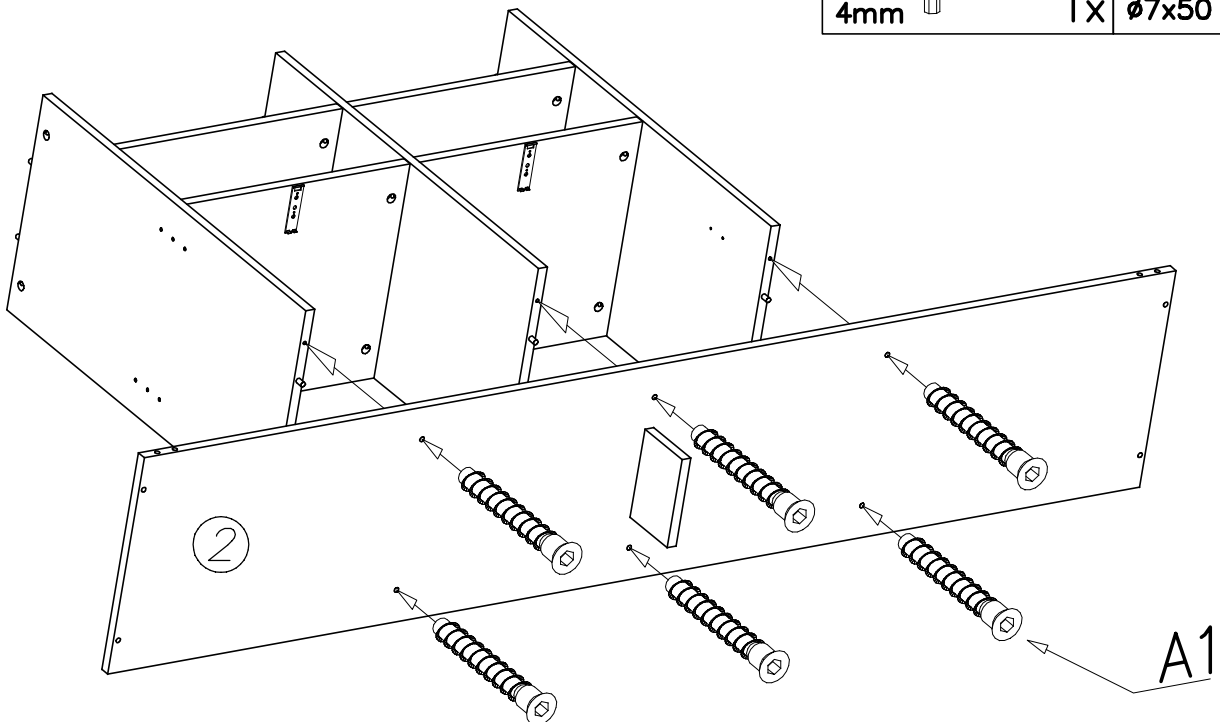
6

| | | | |
|-----|--|-------|--|
| W2 |  | A1 |  |
| 4mm | 1x | ø7x50 | 2x |

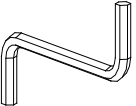



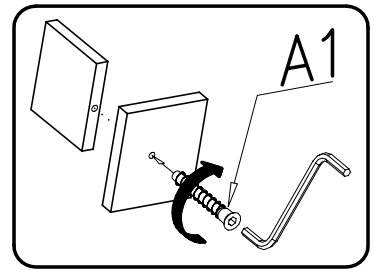
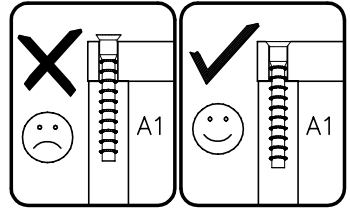
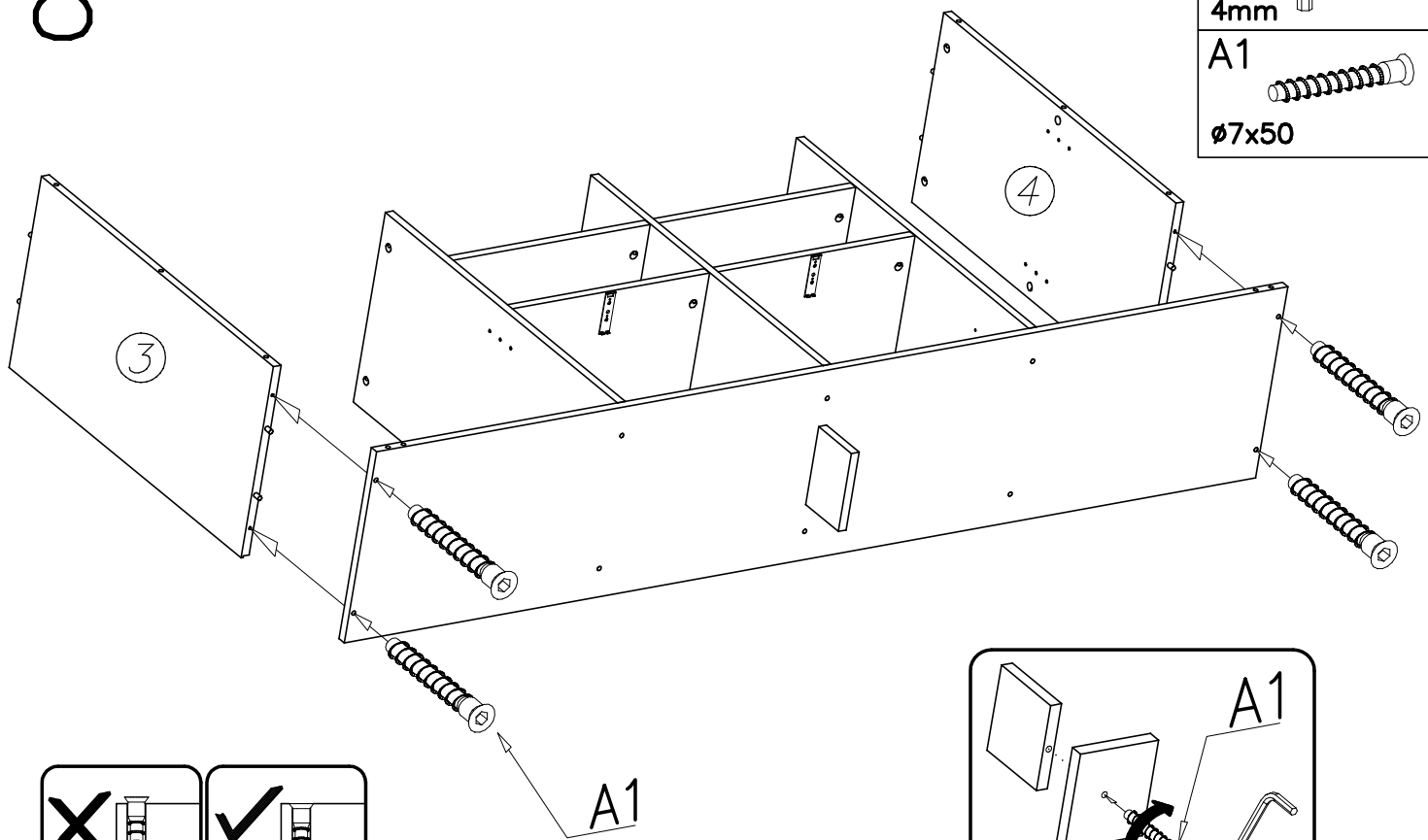
7

| | | | |
|-----|---|-------|---|
| W2 |  | A1 |  |
| 4mm | 1x | ø7x50 | 6x |

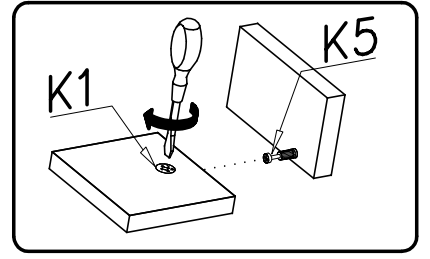
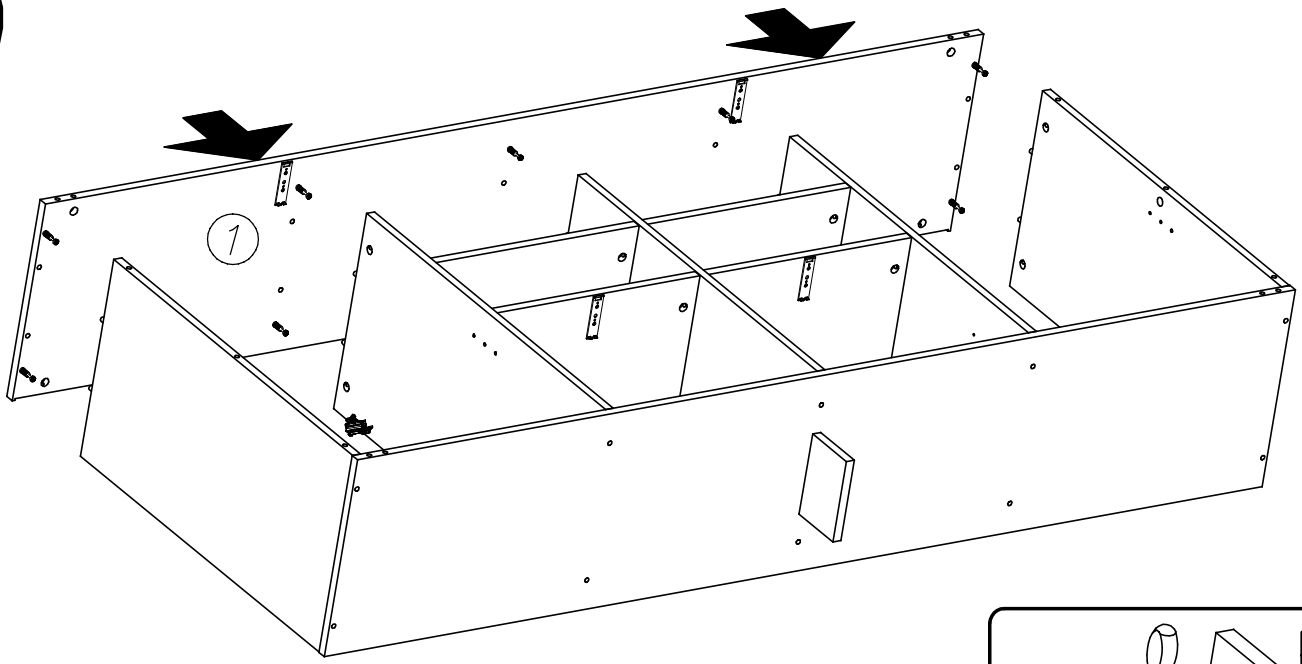


8

| | | |
|-------|---|----|
| W2 |  | 1x |
| 4mm | | |
| A1 |  | 4x |
| ∅7x50 | | |

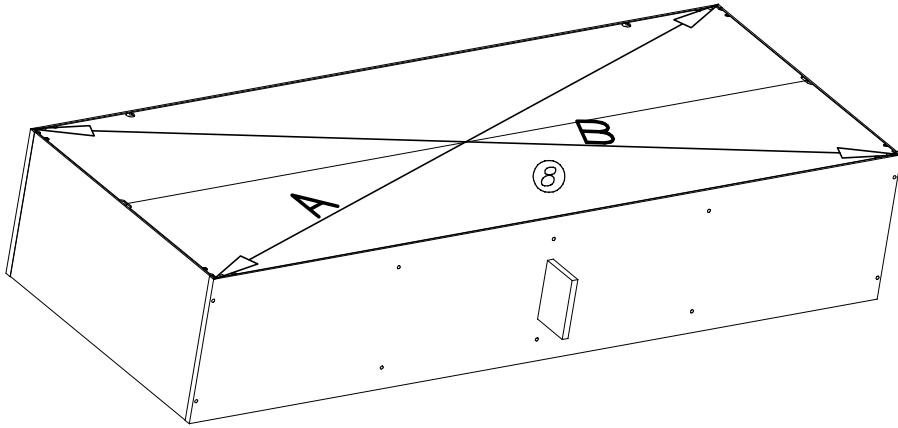


9

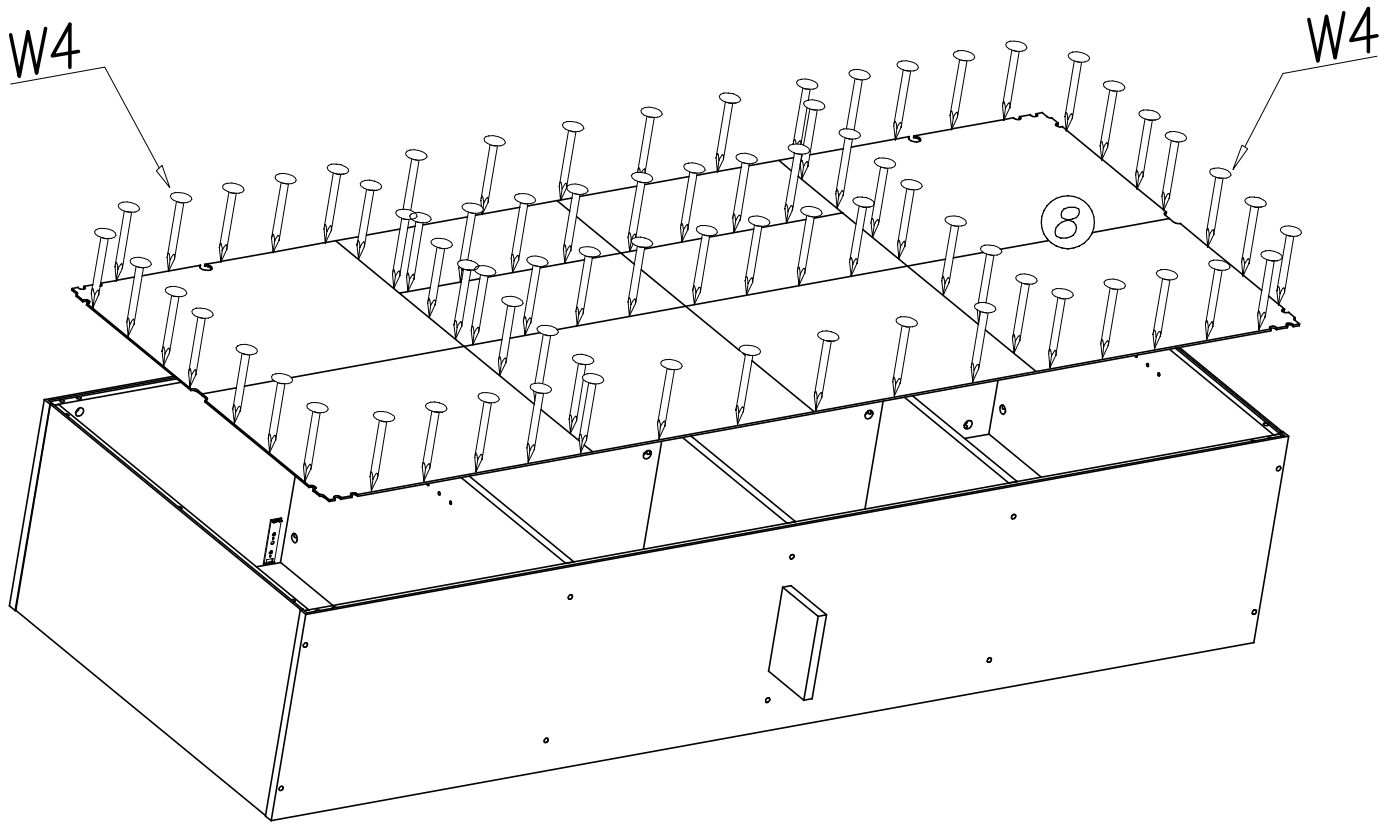
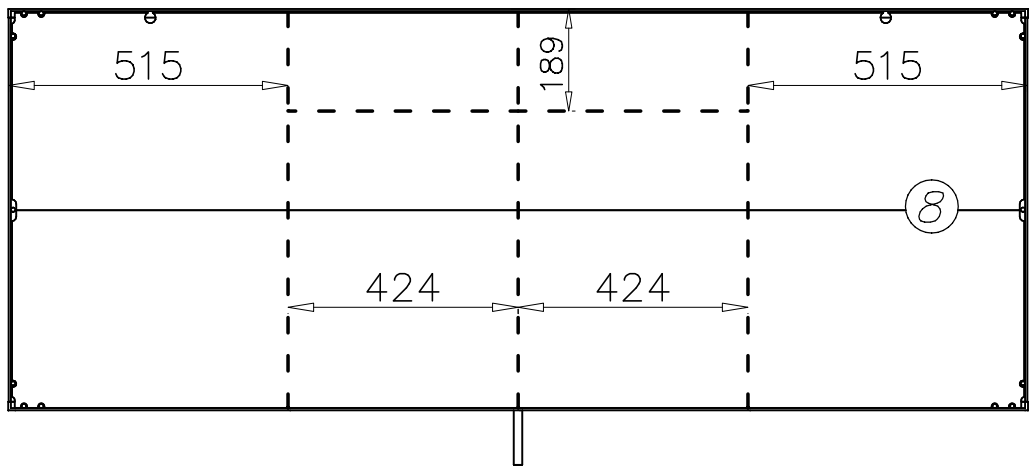
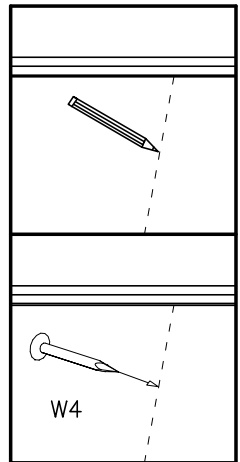
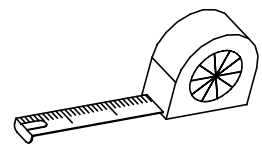


10


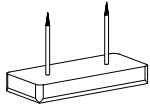
W4 95x

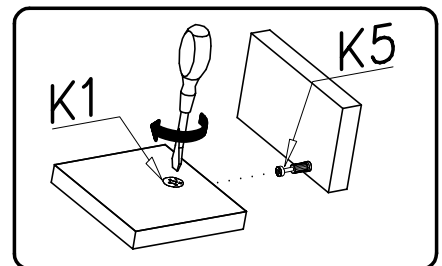
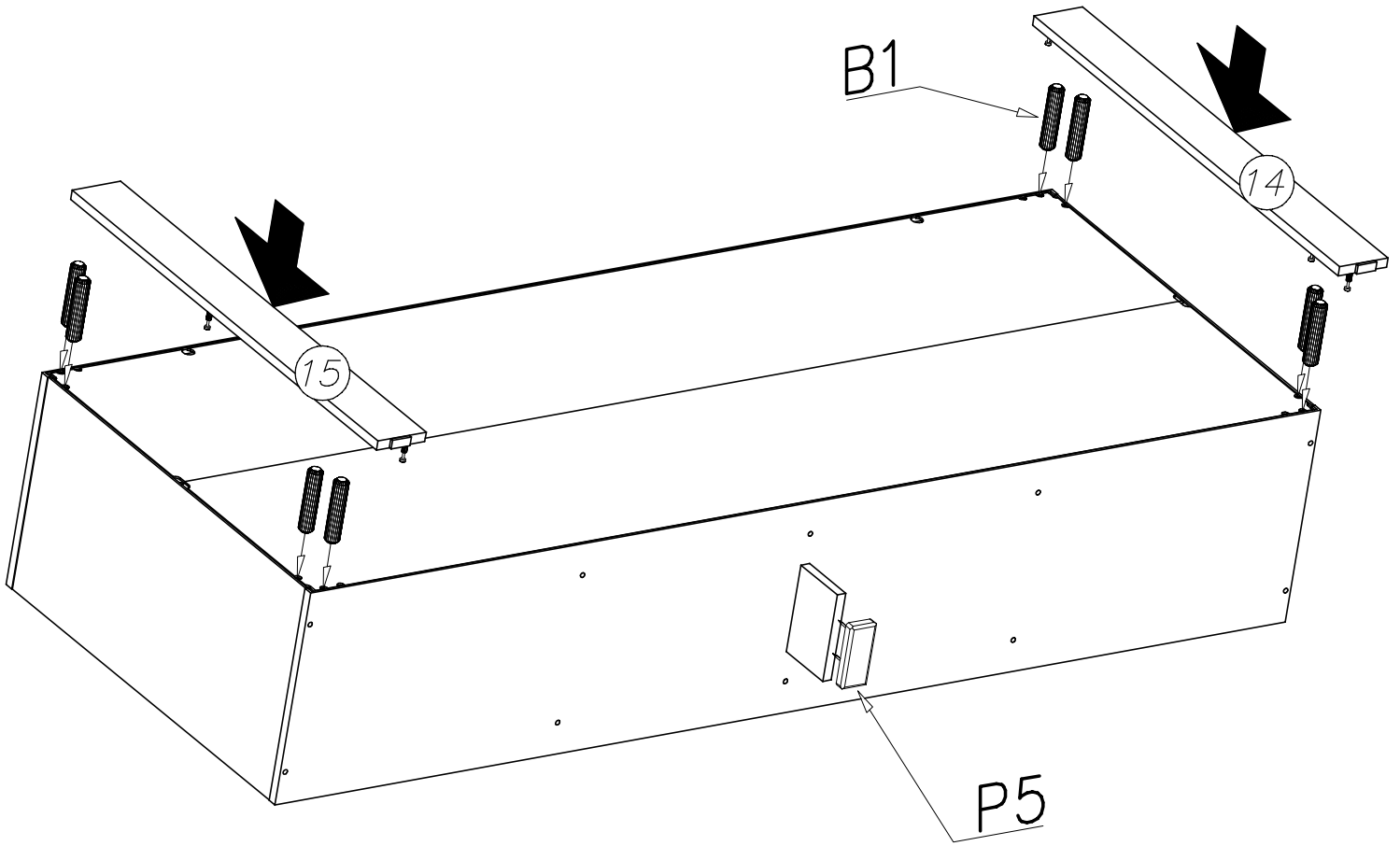


A = B

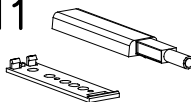



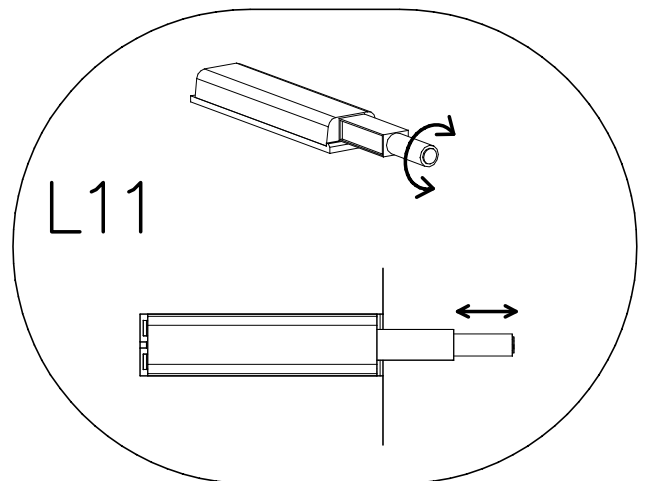
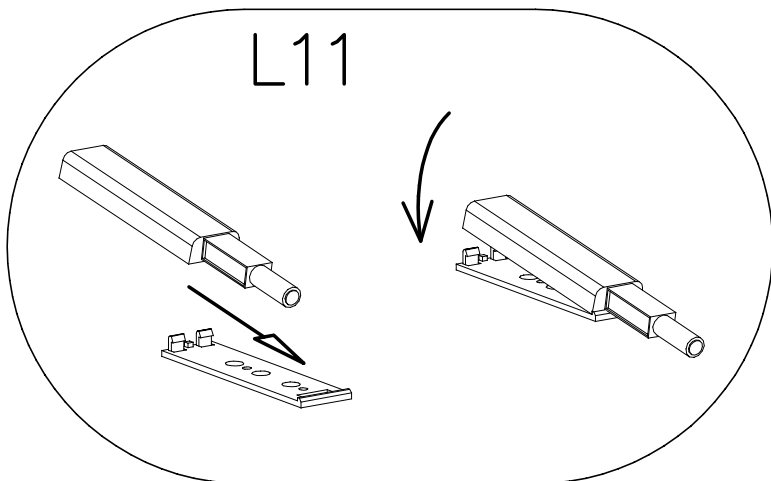
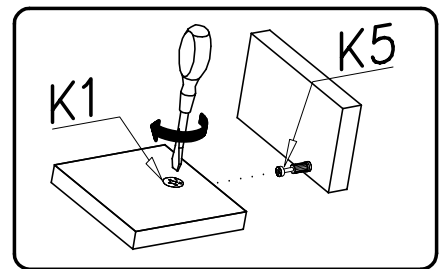
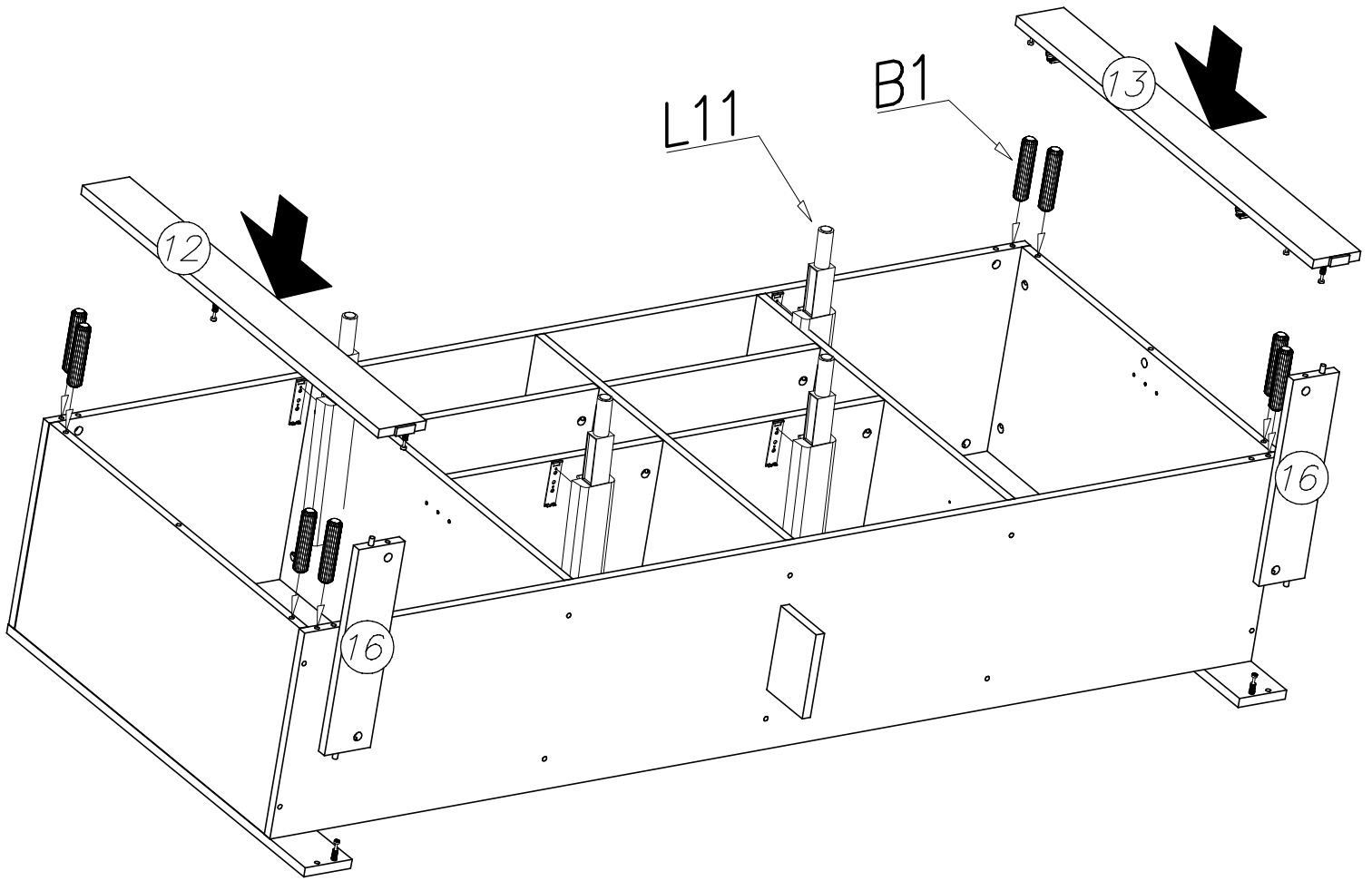
11

| | |
|-------|---|
| B1 |  |
| ∅8x30 | 8x |
| P5 |  |
| | 1x |

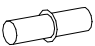



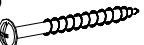


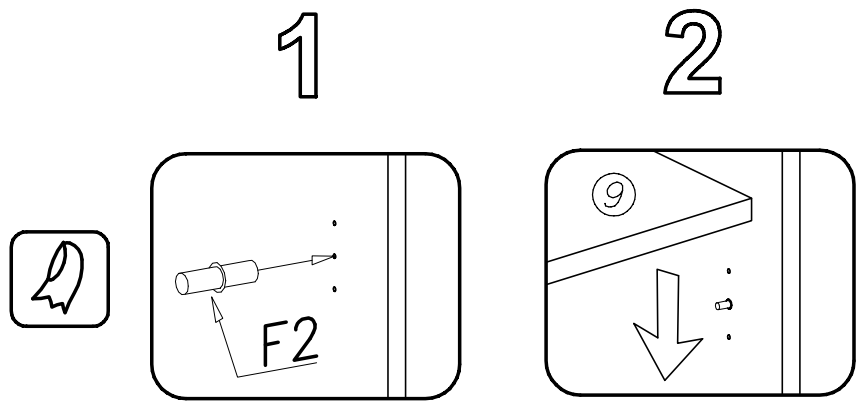
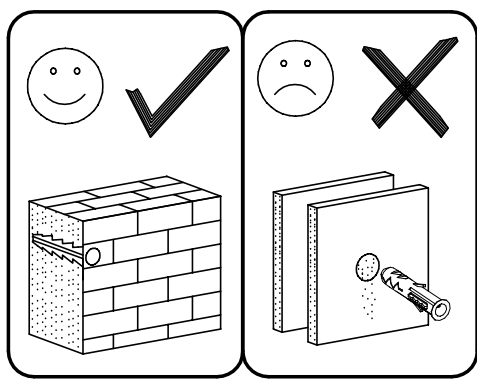
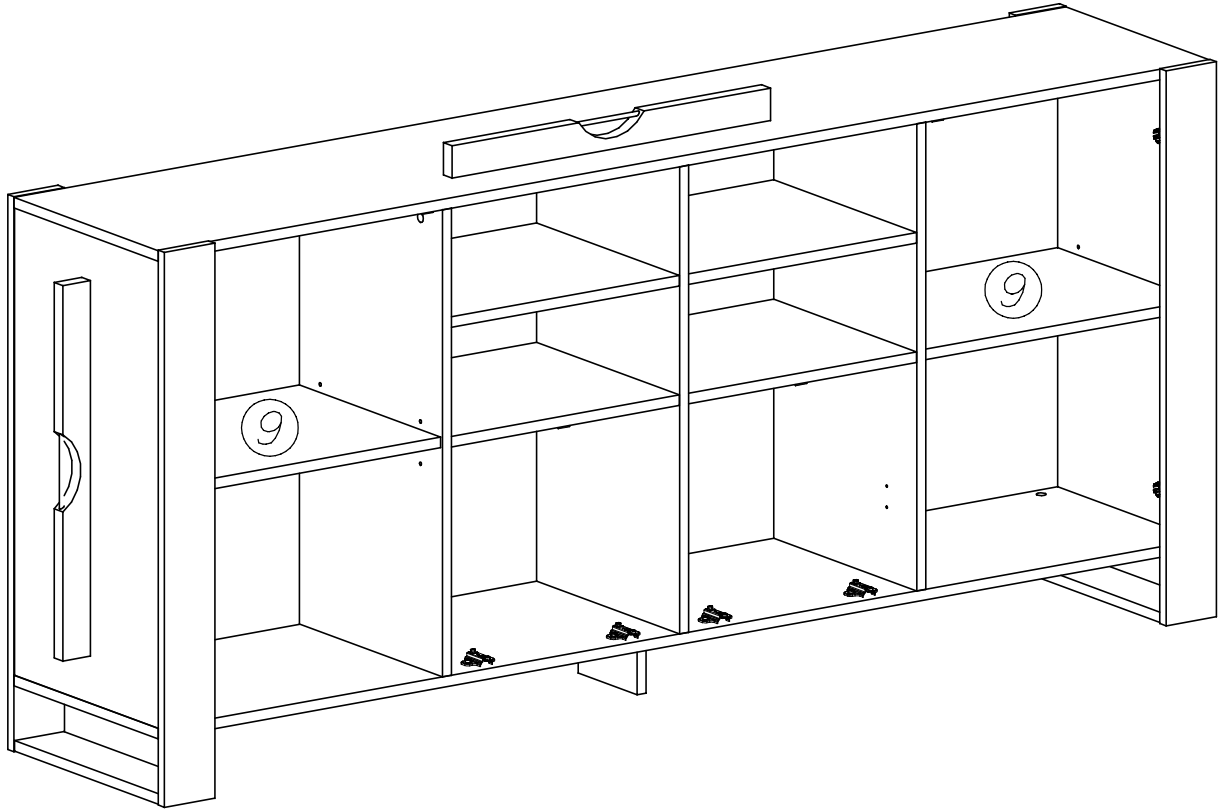
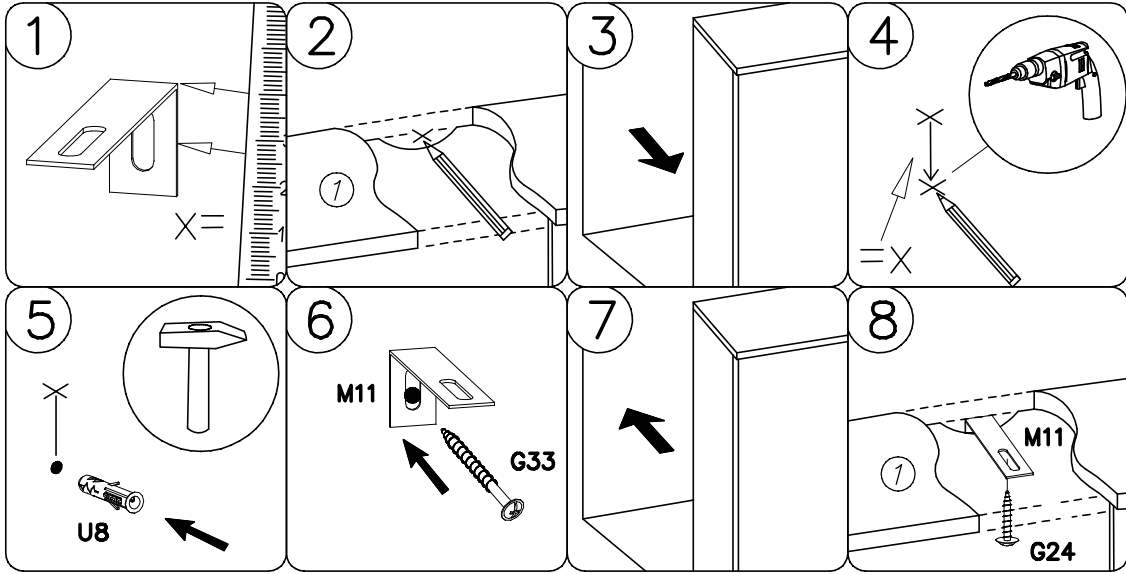
12

| | | | |
|-----|--|-------|--|
| L11 |  | B1 |  |
| | 4x | ø8x30 | 8x |

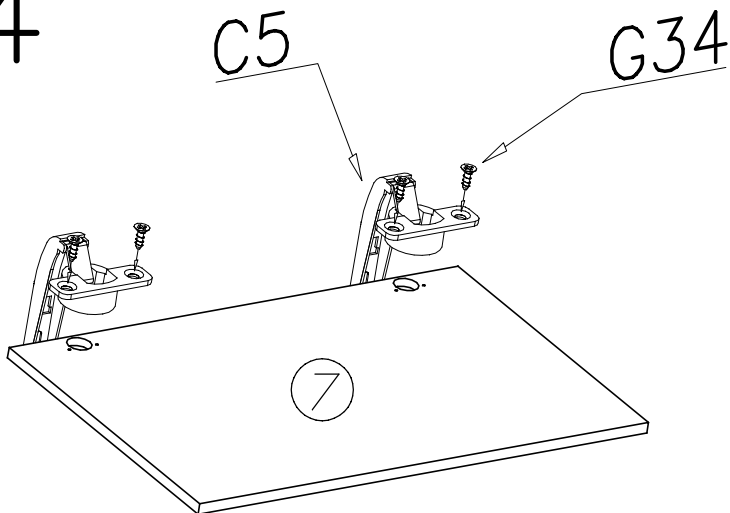


13


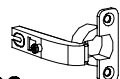
| | | | |
|--|---|---|---|
| F2  8x | G24  4x16 4x | U8  4x Ø8x40 2x | M11  2x |
| | | | G33  4x40 2x |

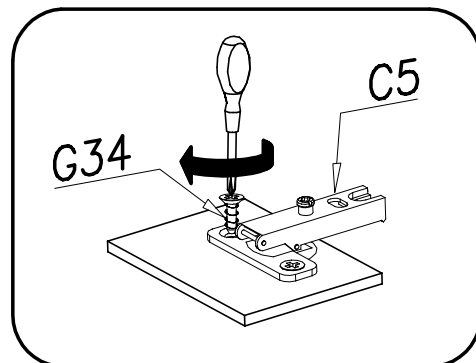
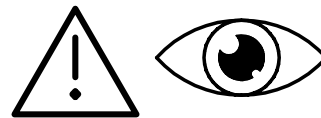


14

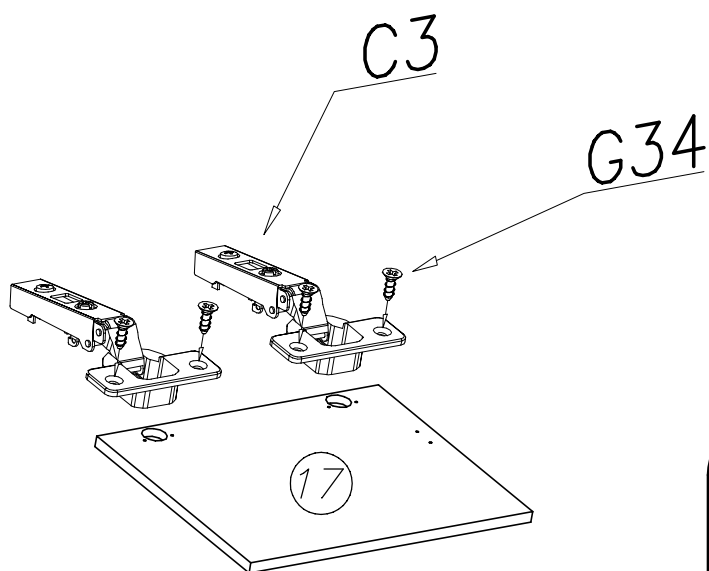


2x


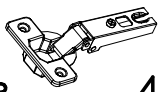
| | | |
|--------|---|----|
| G34 |  | |
| 3,5x16 | | 8x |
| C5 |  | |
| Z35RO | | 4x |

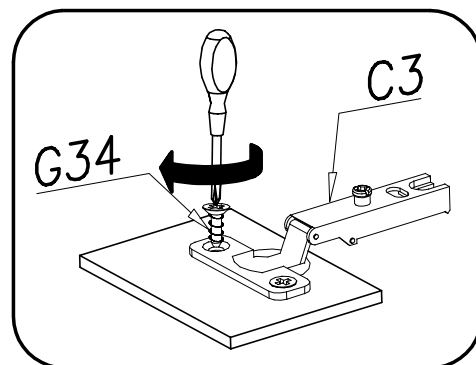
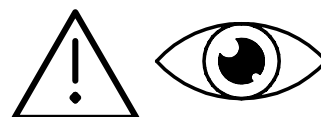


15

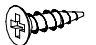


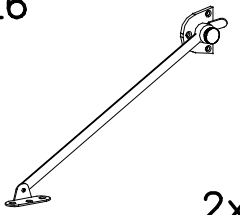
2x

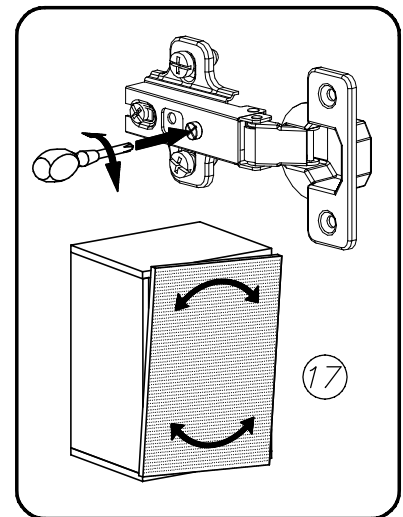
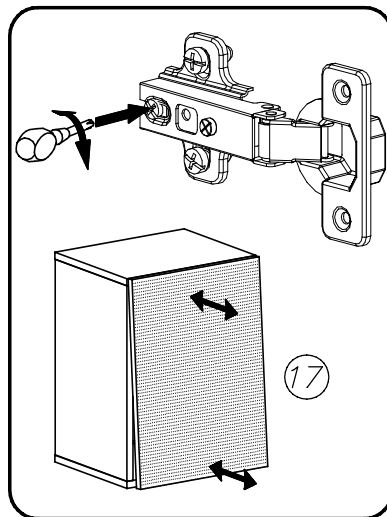
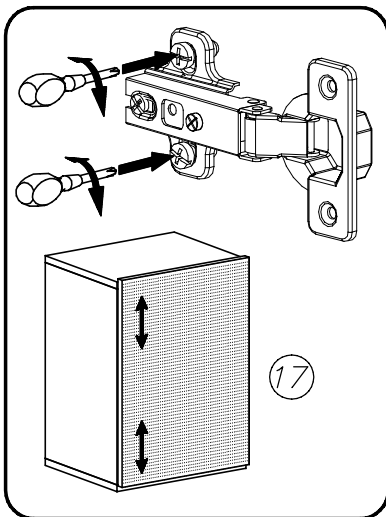
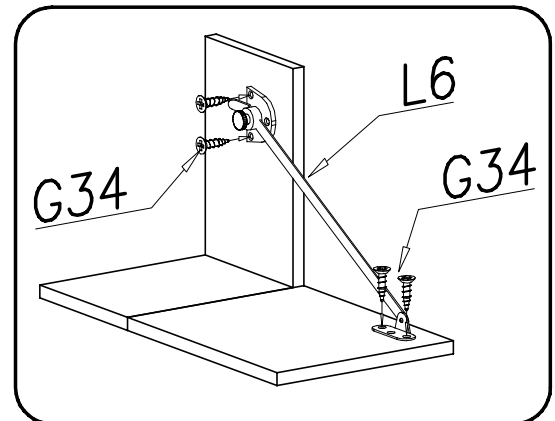
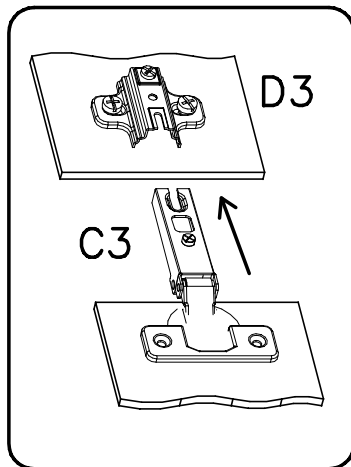
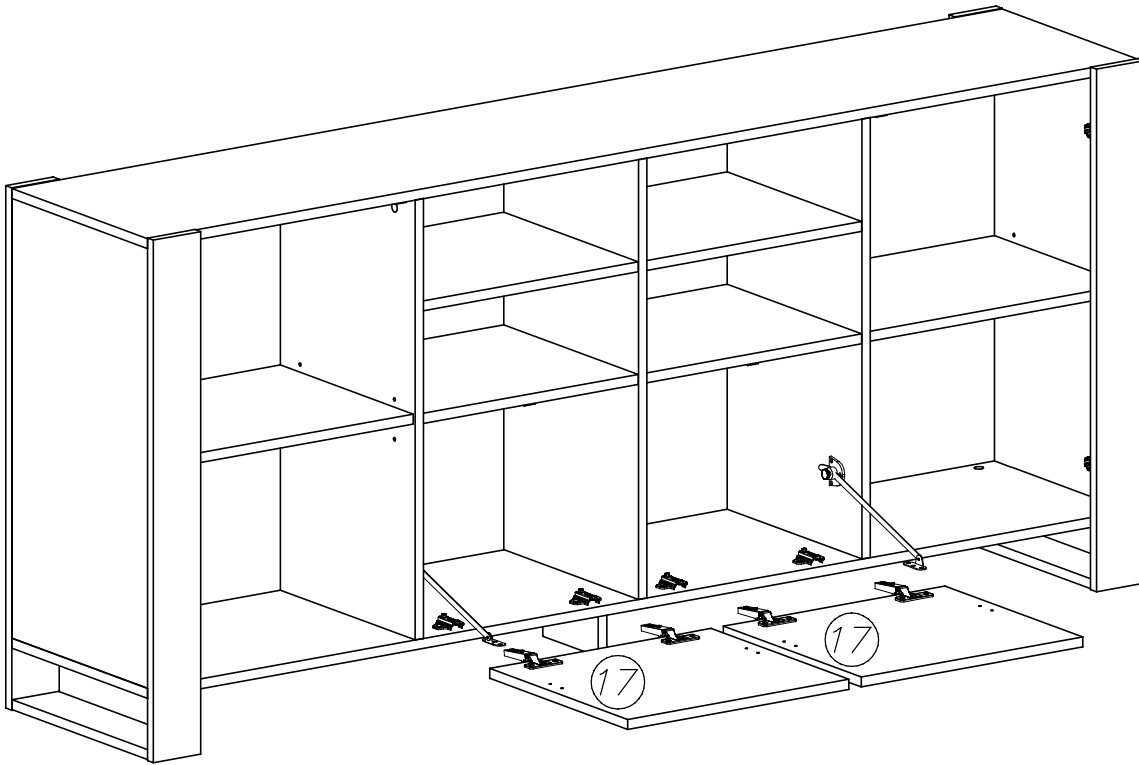
| | | |
|--------|---|----|
| G34 |  | |
| 3,5x16 | | 8x |
| C3 |  | |
| Z35PR | | 4x |



16

G34  3,5x16 8x

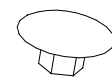
L6  2x



17

17

∅18



38x

