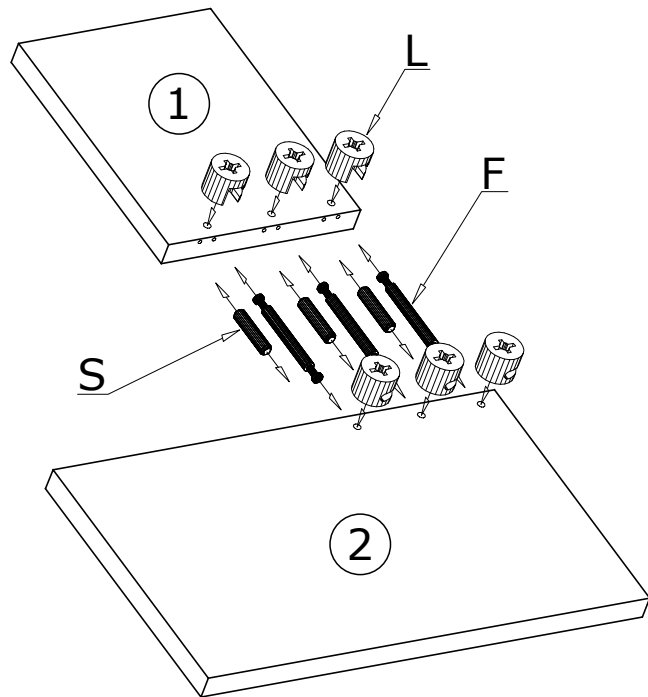
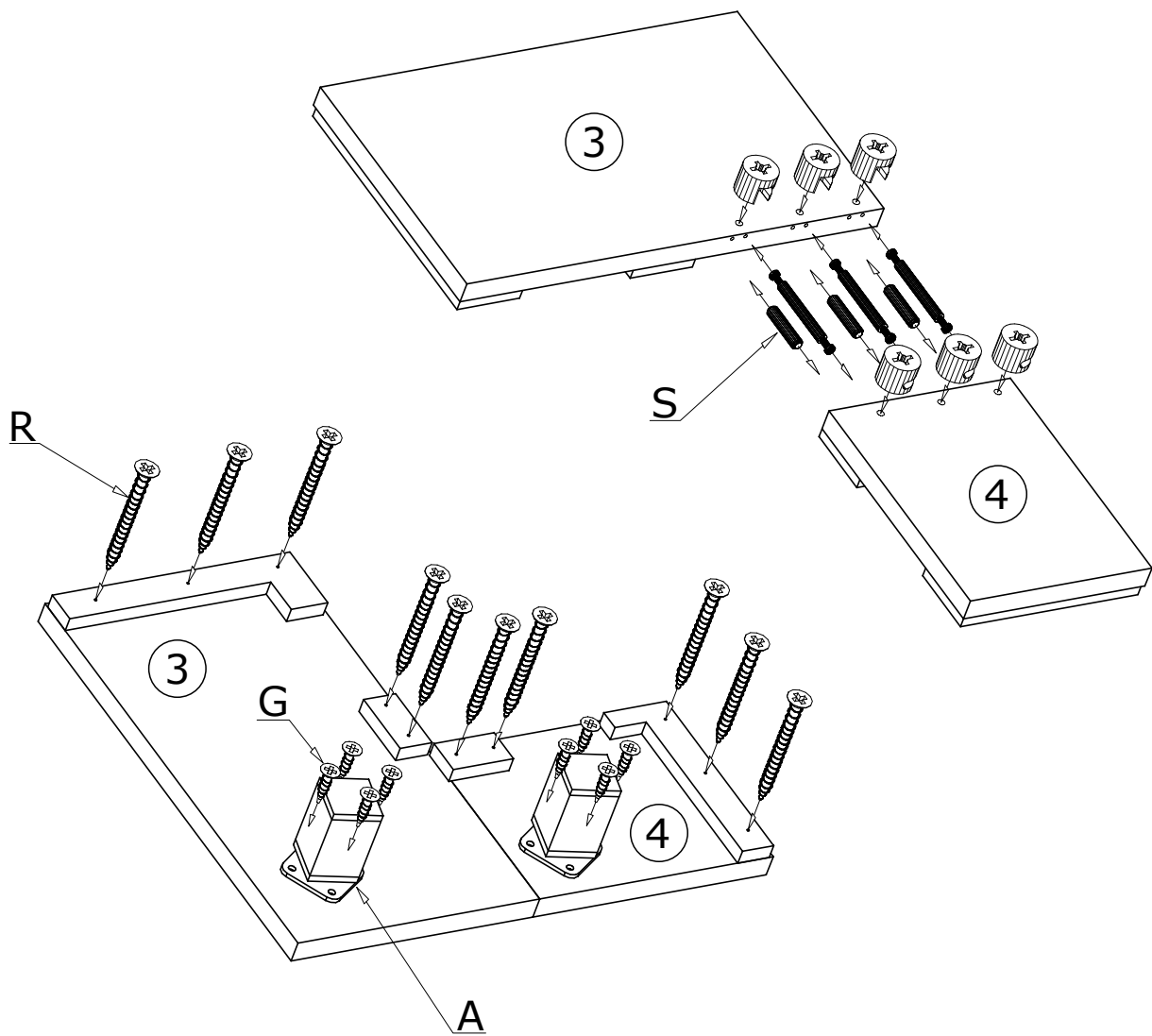


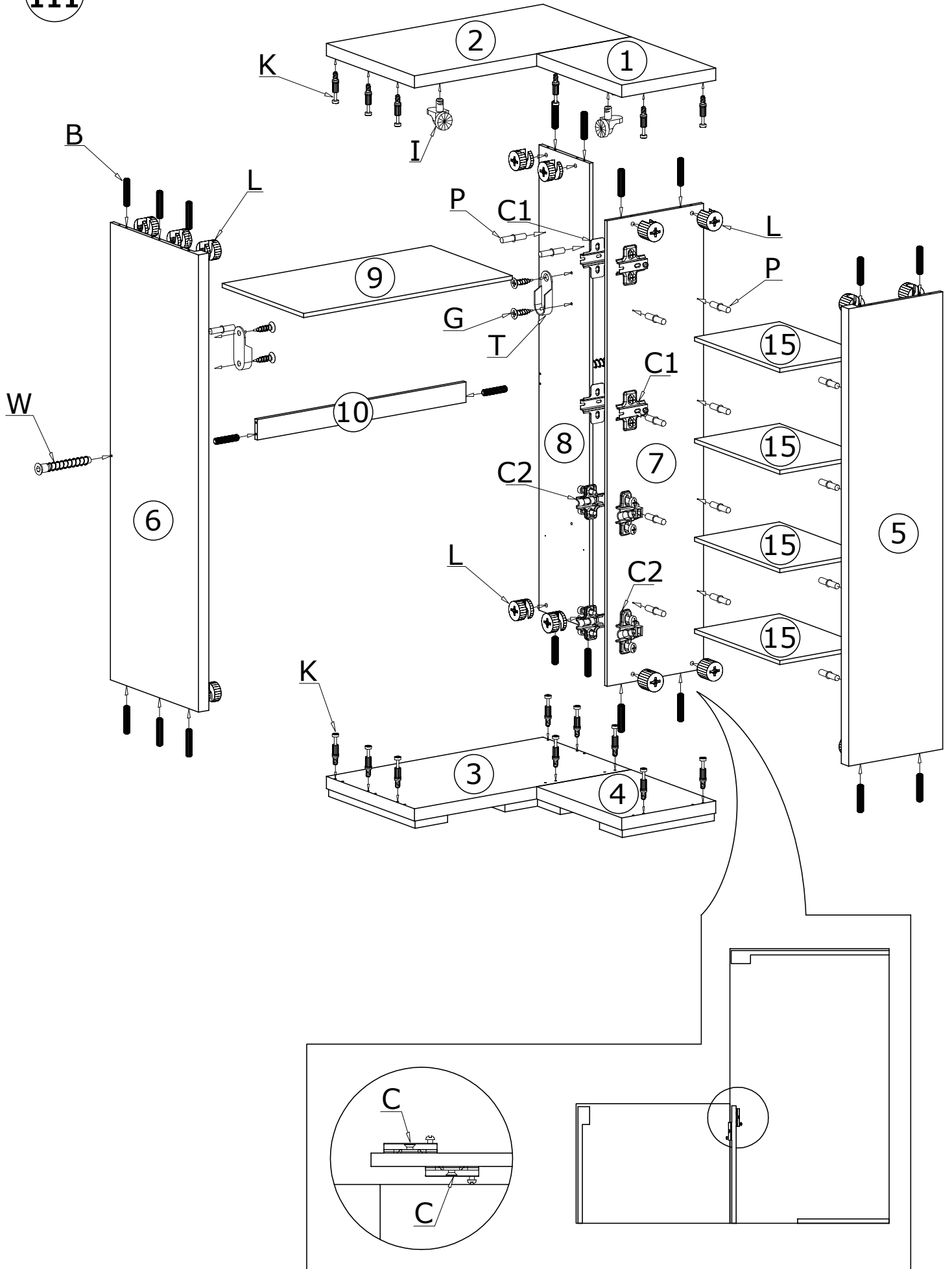
I VEGA 39



II

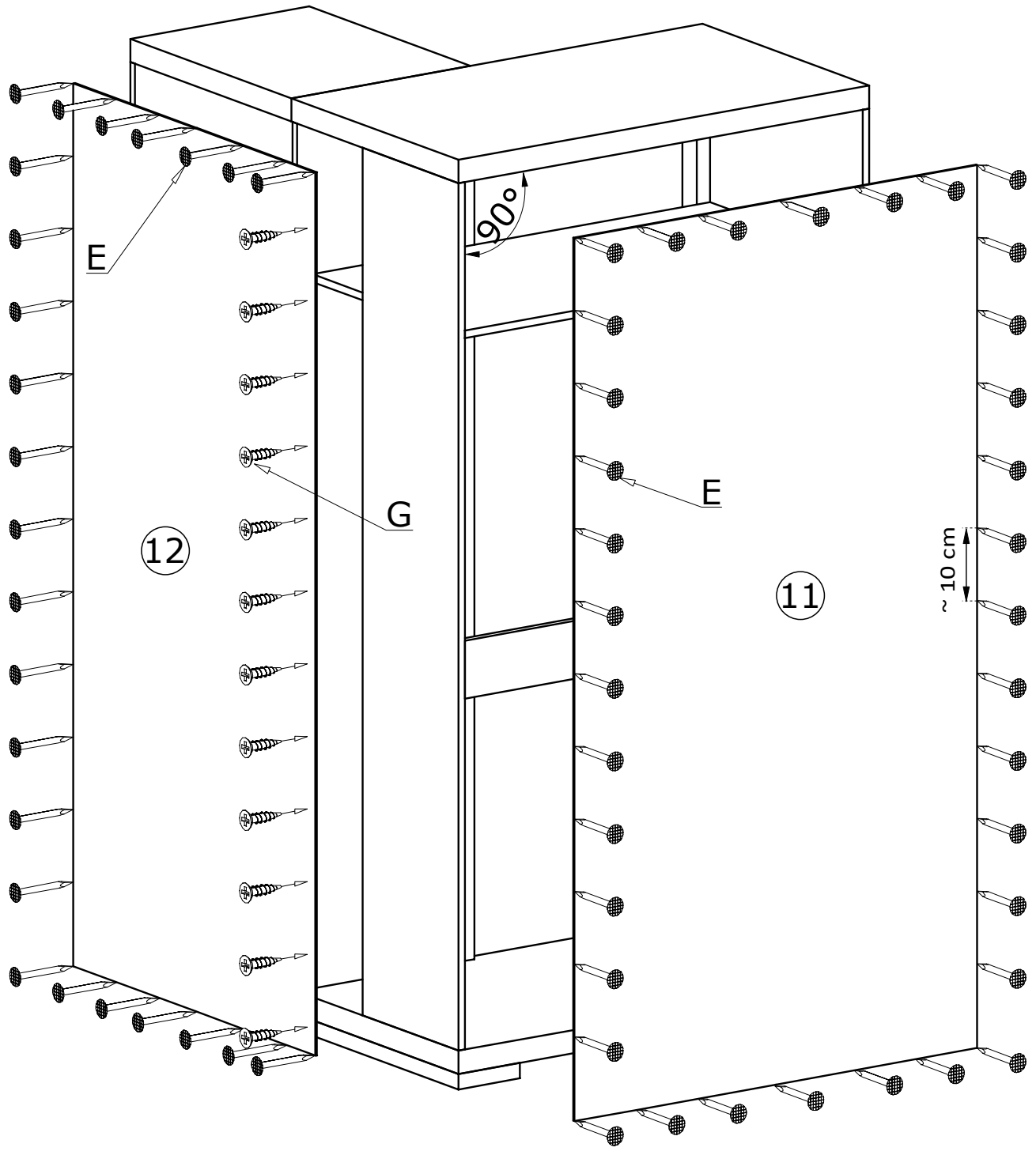


III



IV

100X 



A series of instructional icons labeled A through J:

- A**: Shows a corner being cut with scissors.
- B**: Shows a person walking with a shopping cart, indicating where to find the screws.
- C**: Shows a power drill and a screw with the diameter $\text{Ø}8$.
- D**: Shows two screws being inserted into a panel.
- E**: Shows a close-up of a screw being inserted into a hole, with a smiley face indicating correct placement and a sad face with an 'X' indicating incorrect placement. A 4mm gap is also indicated.
- F**: Shows a close-up of a panel being attached to a cabinet edge.
- G**: Shows a panel being attached to a cabinet edge.
- H**: Shows a panel being attached to a cabinet edge with a 480 mm dimension.
- I**: Shows a panel being attached to a cabinet edge with a 275 mm dimension.
- J**: Shows a close-up of a panel being attached to a cabinet edge.

V

