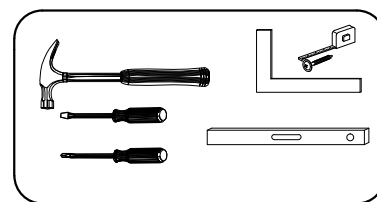
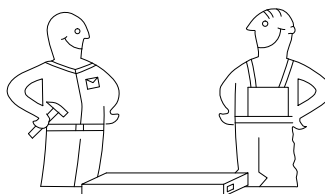
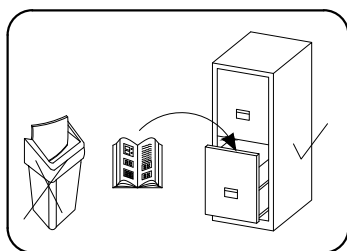




BONAPARTE SZ180

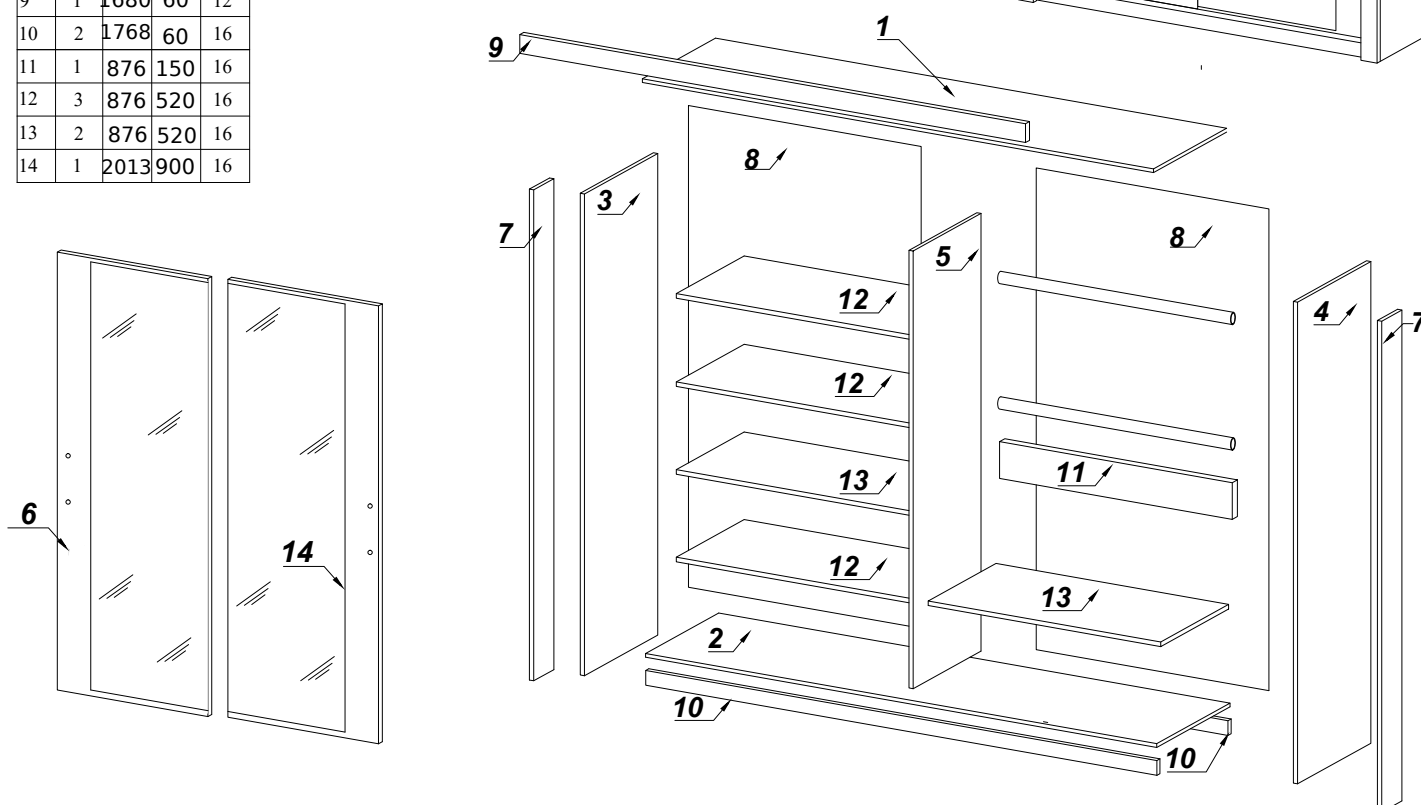
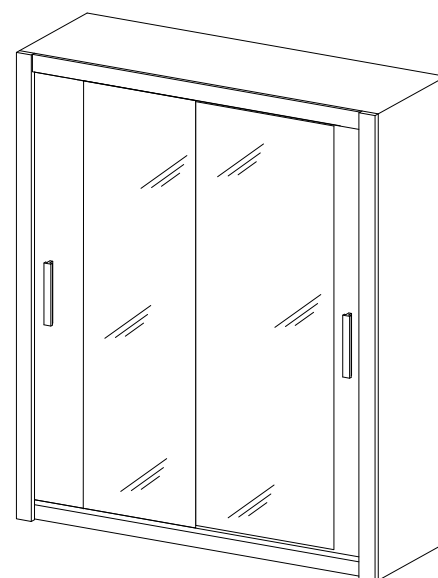
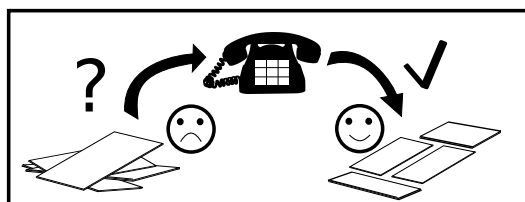


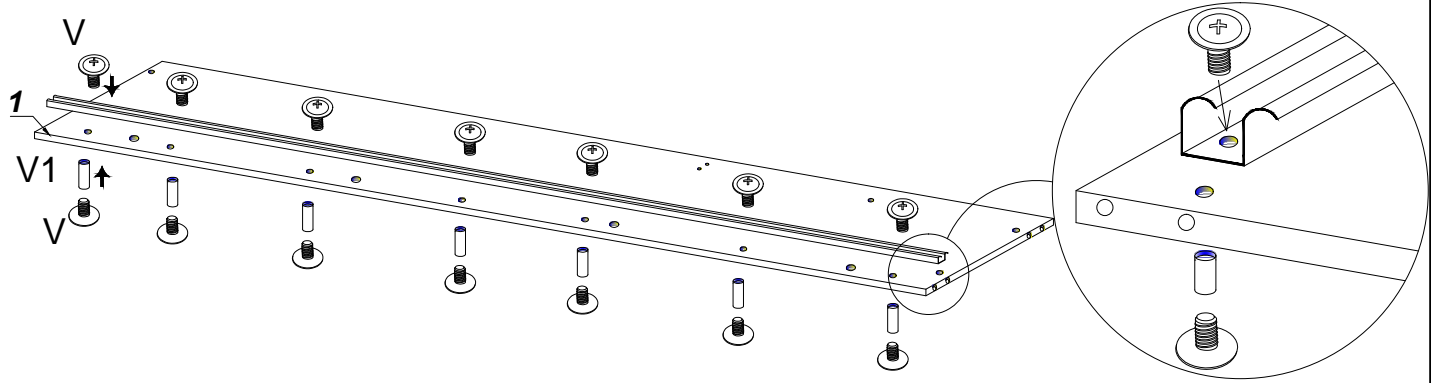
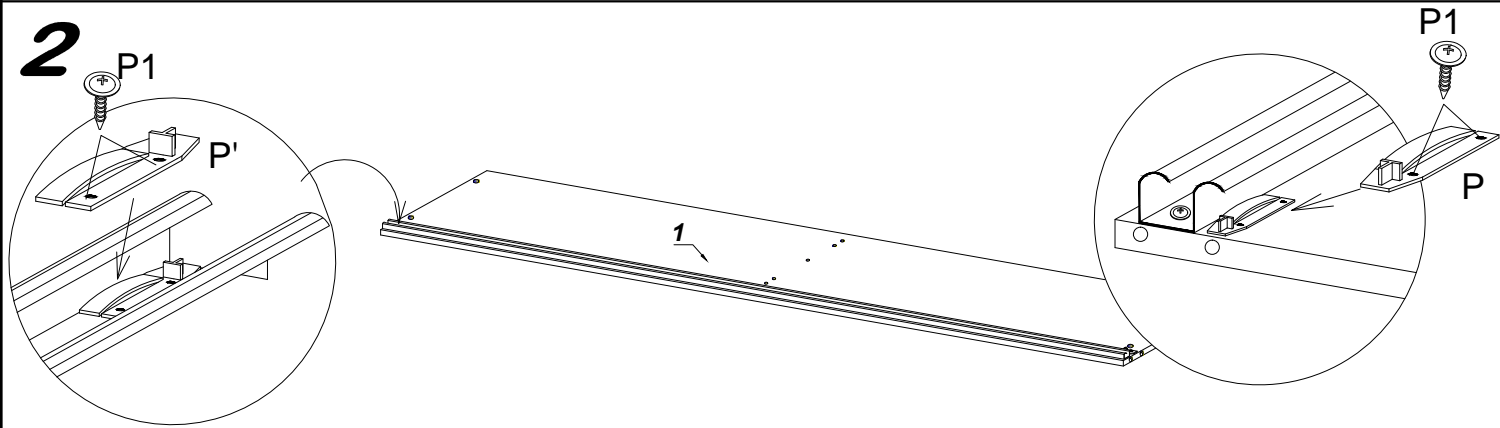
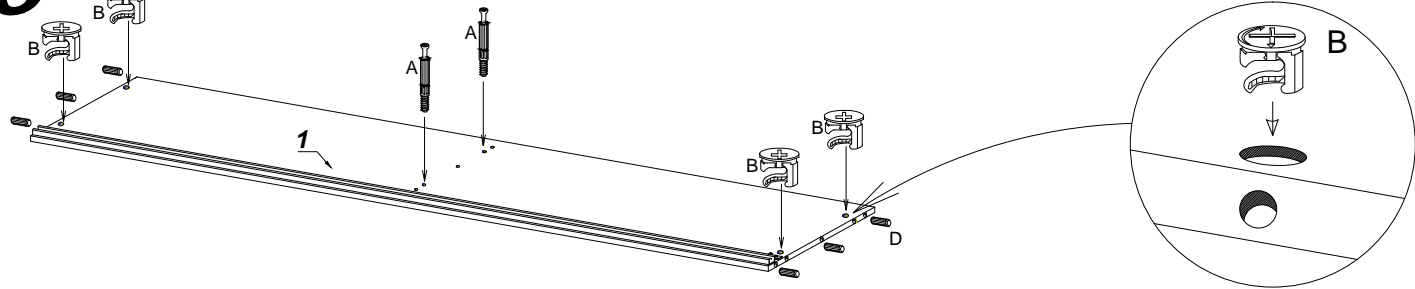
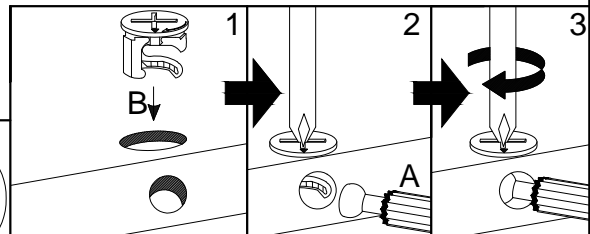
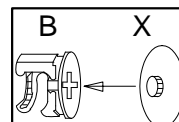
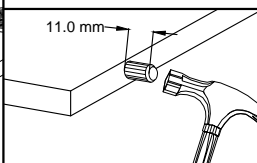
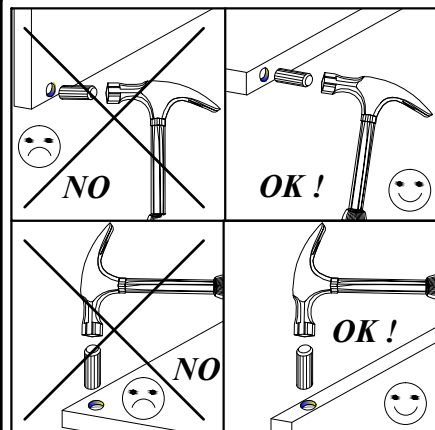
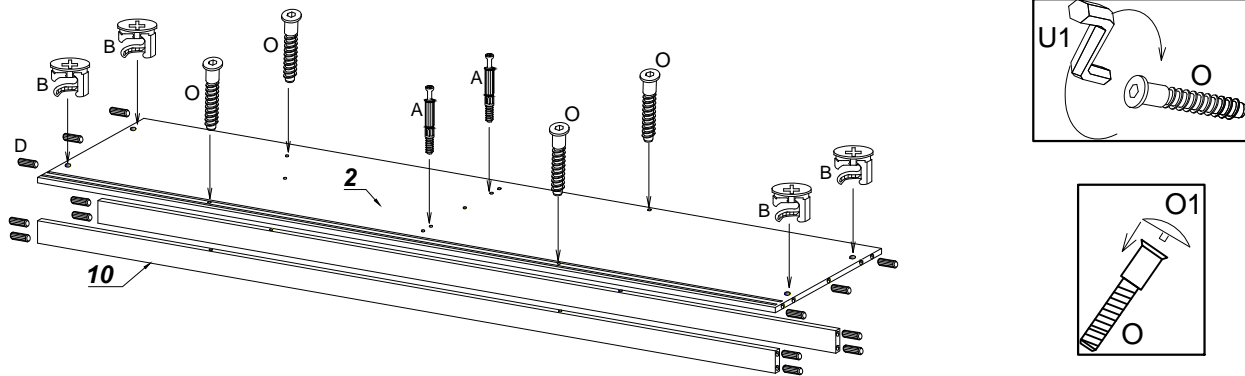
INSTRUKCJA MONTAŻU • ASSEMBLY INSTRUCTION • MONTAGEANLEITUNG



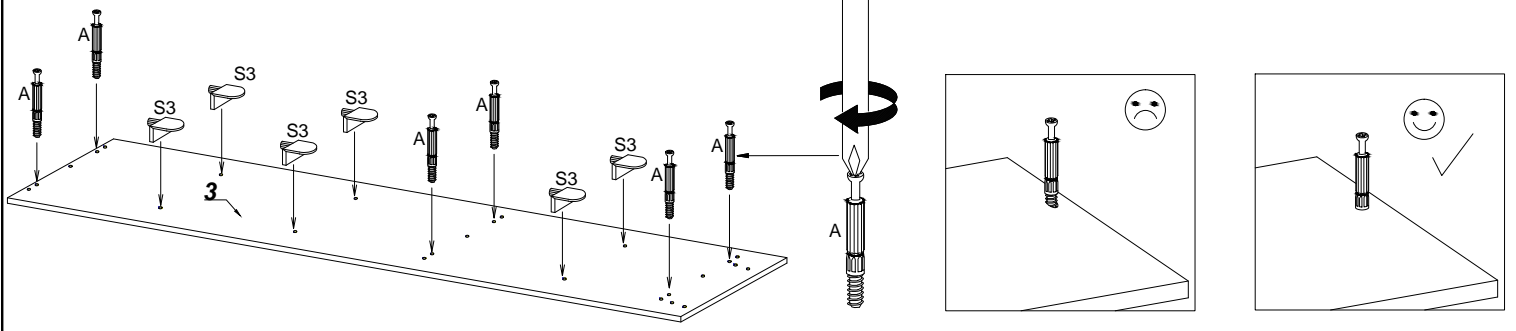
| | | | | | | | | | | |
|-----------------------|-------------|------------------|-------------------|-------------|-------------------------|---------------------|-------------|------------|-----------------------|-------------|
| D 42 | G 4 | Y 4 | A 30 | B 34 | H 8 | S3 12 | N2 4 | O 4 | O1 4 | U 4 |
| X 34 | F 2 | LE P 1 | PR P' 1 | U2 2 | M4.0x6.0 V 18 | V1 9 | V2 1 | E 8 | 6.3x13 F 12 | U1 4 |
| M4.0x15 Z 4 | U3 1 | S 9 | S1 130 | U1 1 | 3.5x16 P1 4 | L-869 K 2 | | | | |

| No. | Stc. | L | W | T |
|-----|------|------|-----|----|
| 1 | 1 | 1768 | 600 | 16 |
| 2 | 1 | 1768 | 600 | 16 |
| 3 | 1 | 2150 | 600 | 16 |
| 4 | 1 | 2150 | 600 | 16 |
| 5 | 1 | 2058 | 520 | 16 |
| 6 | 1 | 2013 | 900 | 16 |
| 7 | 2 | 2150 | 60 | 16 |
| 8 | 2 | 2089 | 899 | 3 |
| 9 | 1 | 1680 | 60 | 12 |
| 10 | 2 | 1768 | 60 | 16 |
| 11 | 1 | 876 | 150 | 16 |
| 12 | 3 | 876 | 520 | 16 |
| 13 | 2 | 876 | 520 | 16 |
| 14 | 1 | 2013 | 900 | 16 |

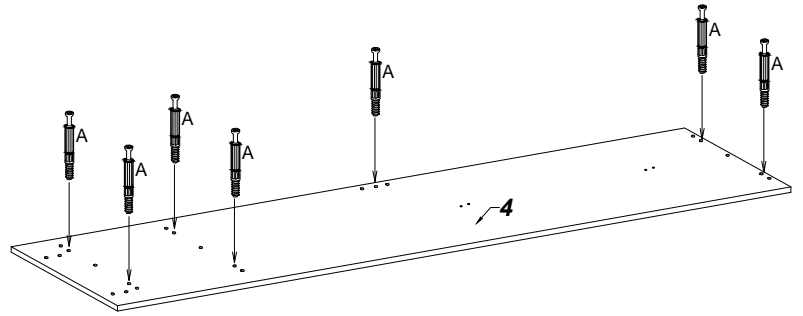
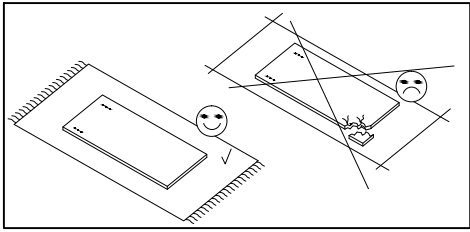


1**2****3****4**

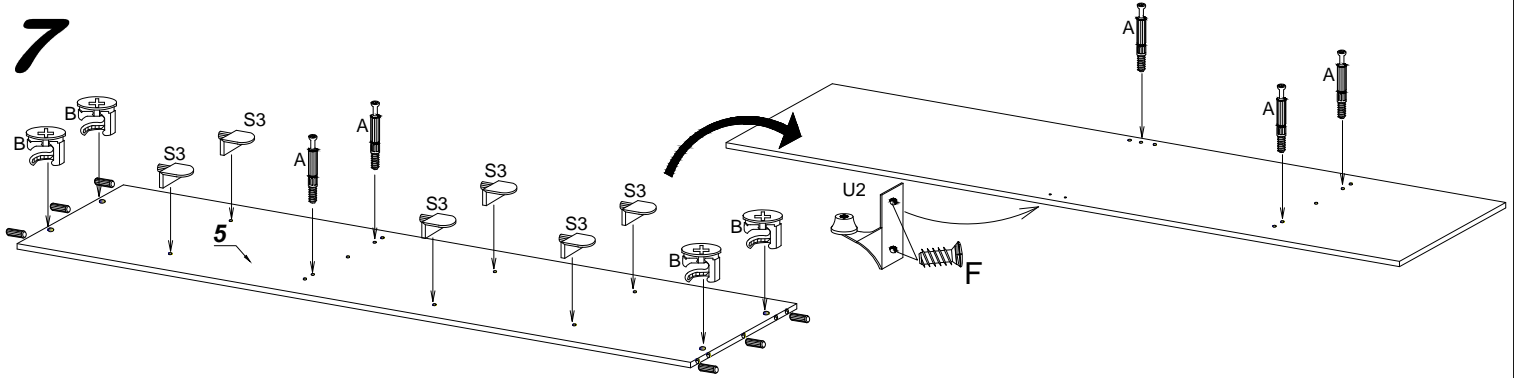
5



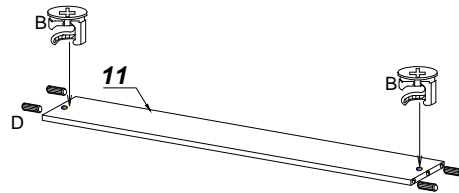
6



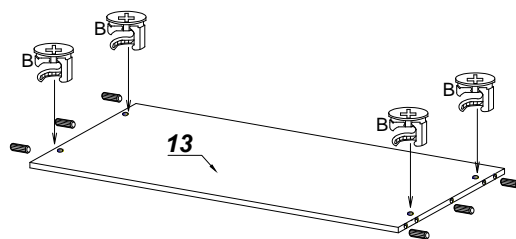
7



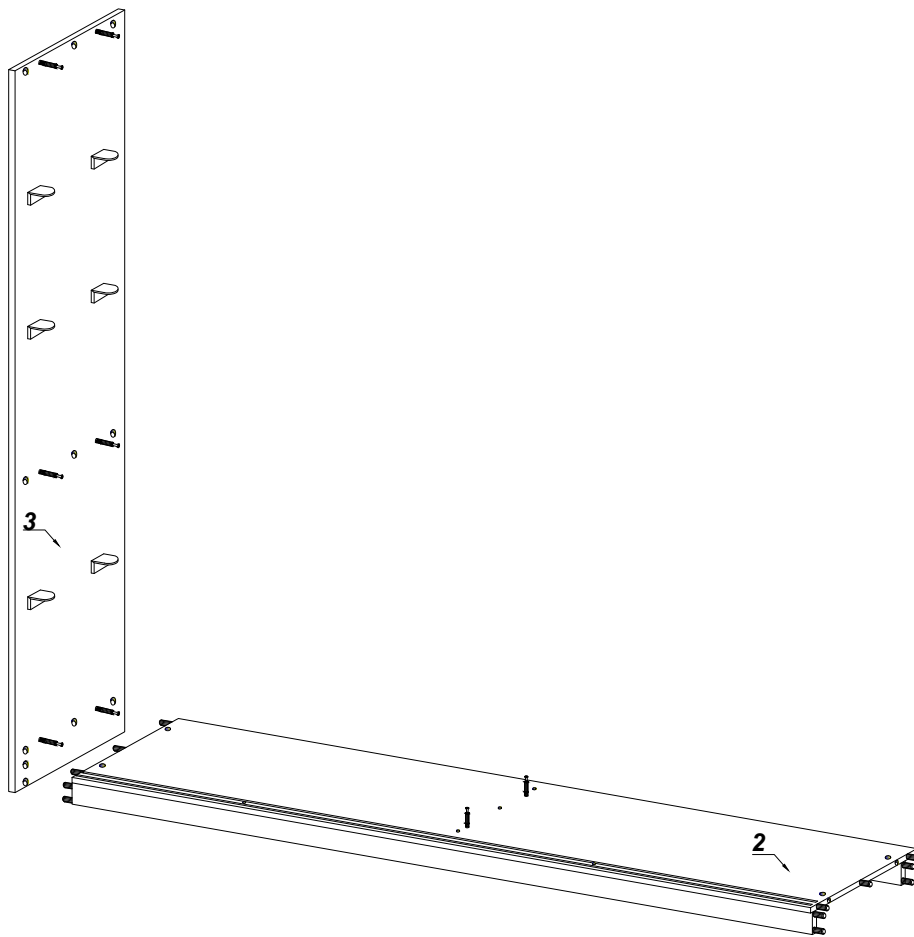
8



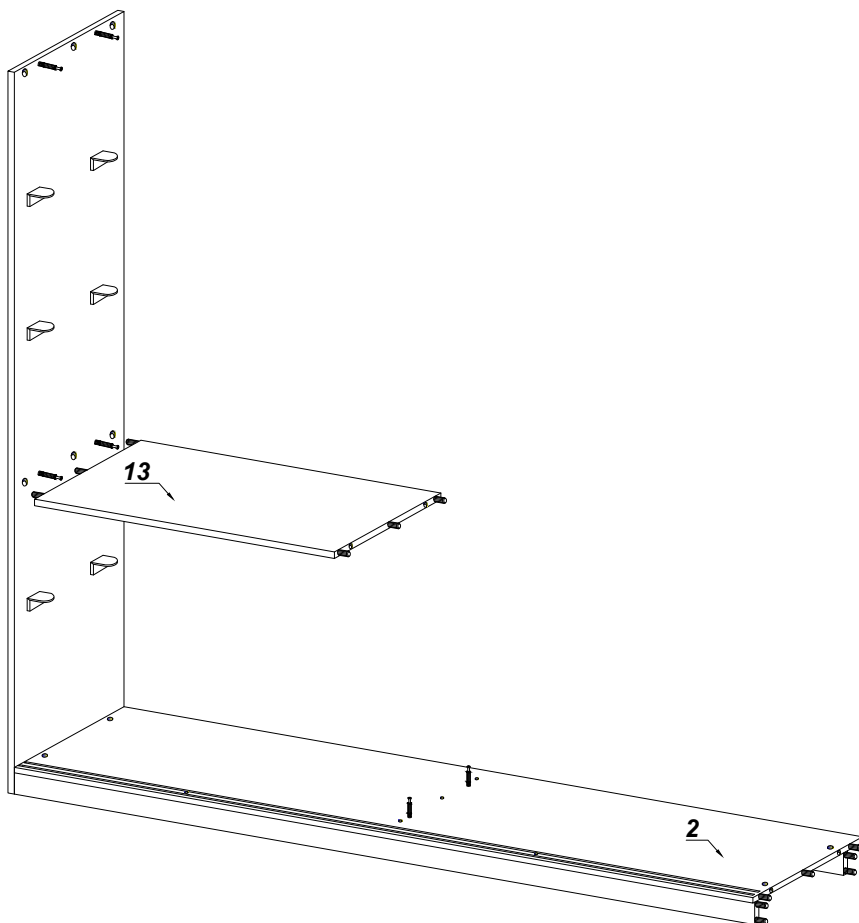
9



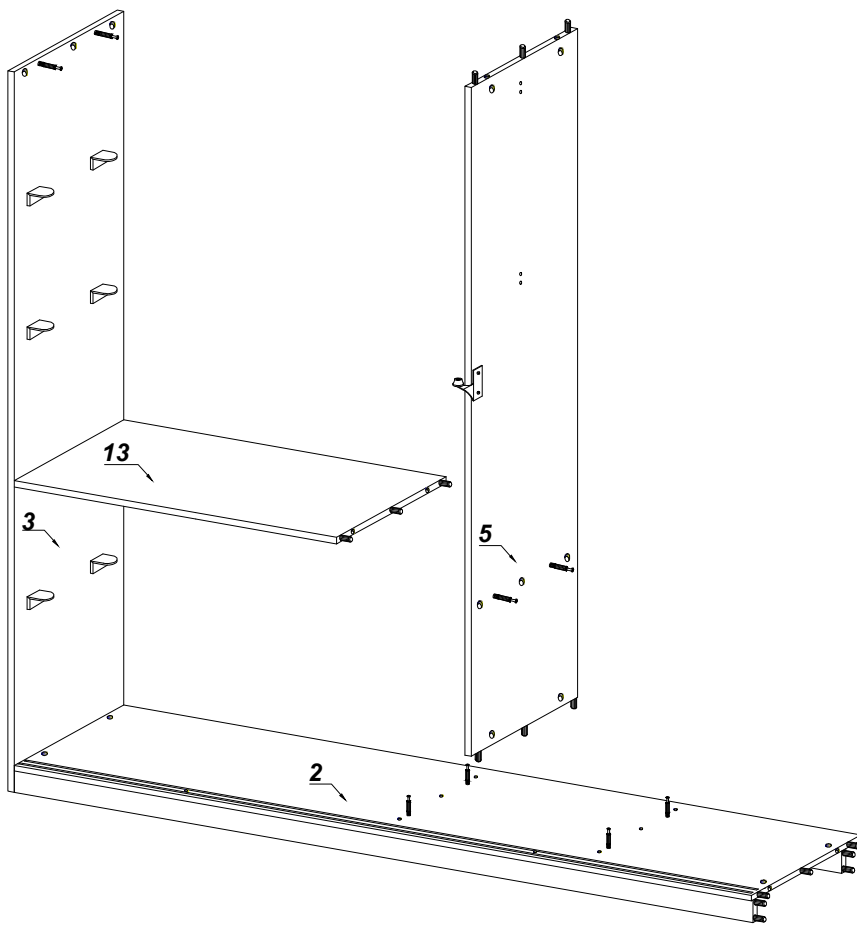
10



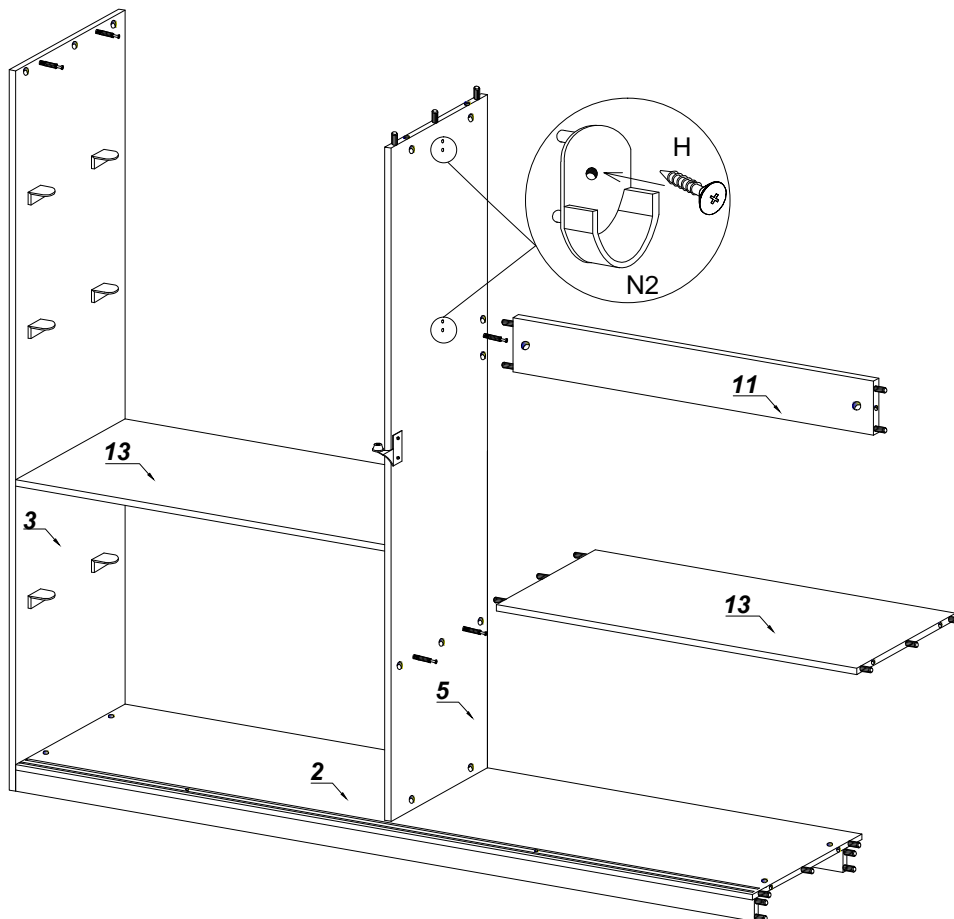
11



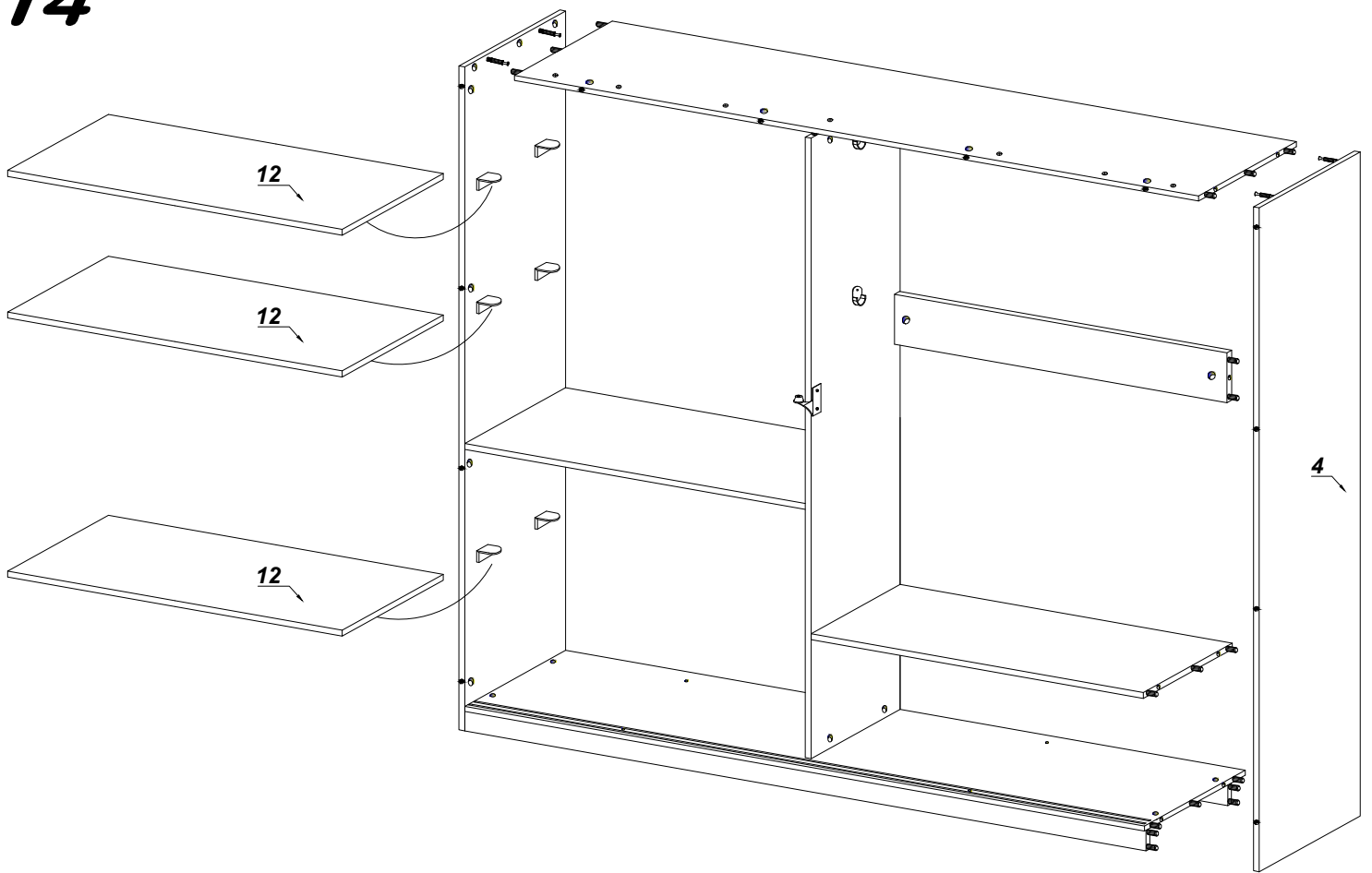
12



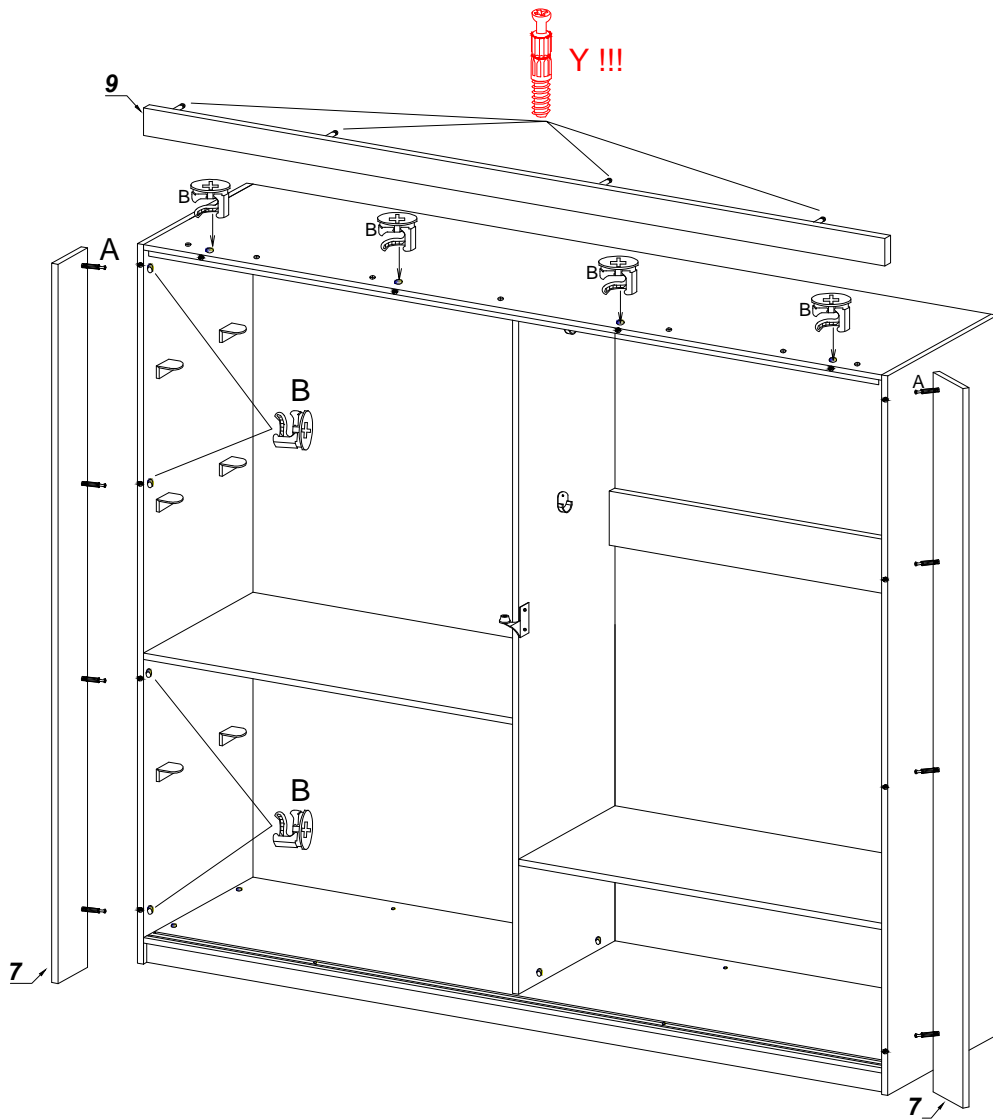
13



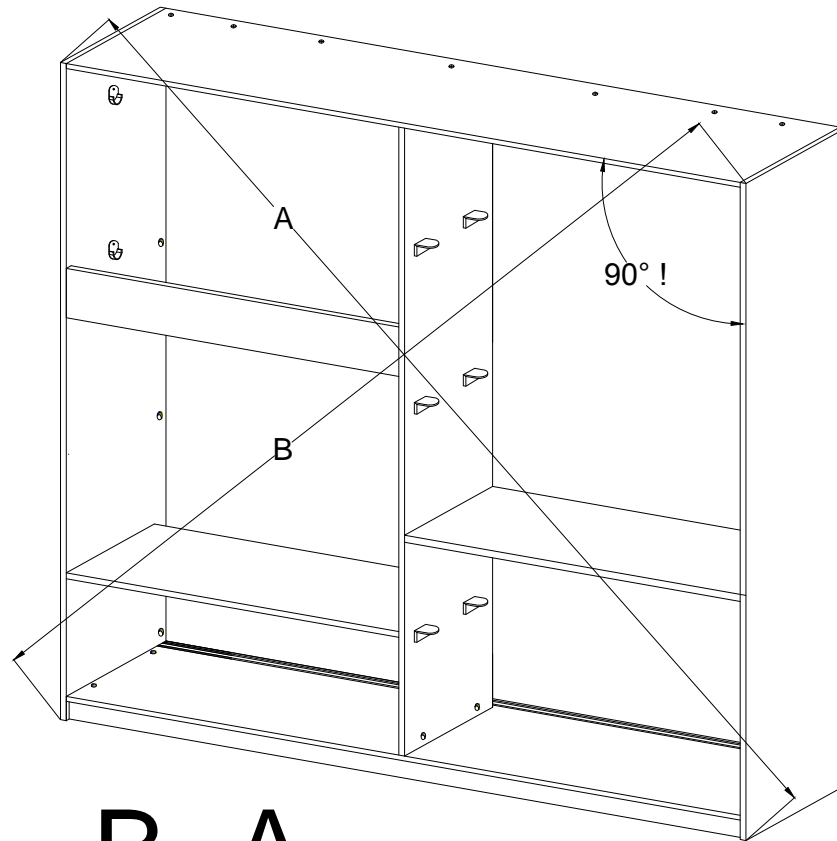
14



15

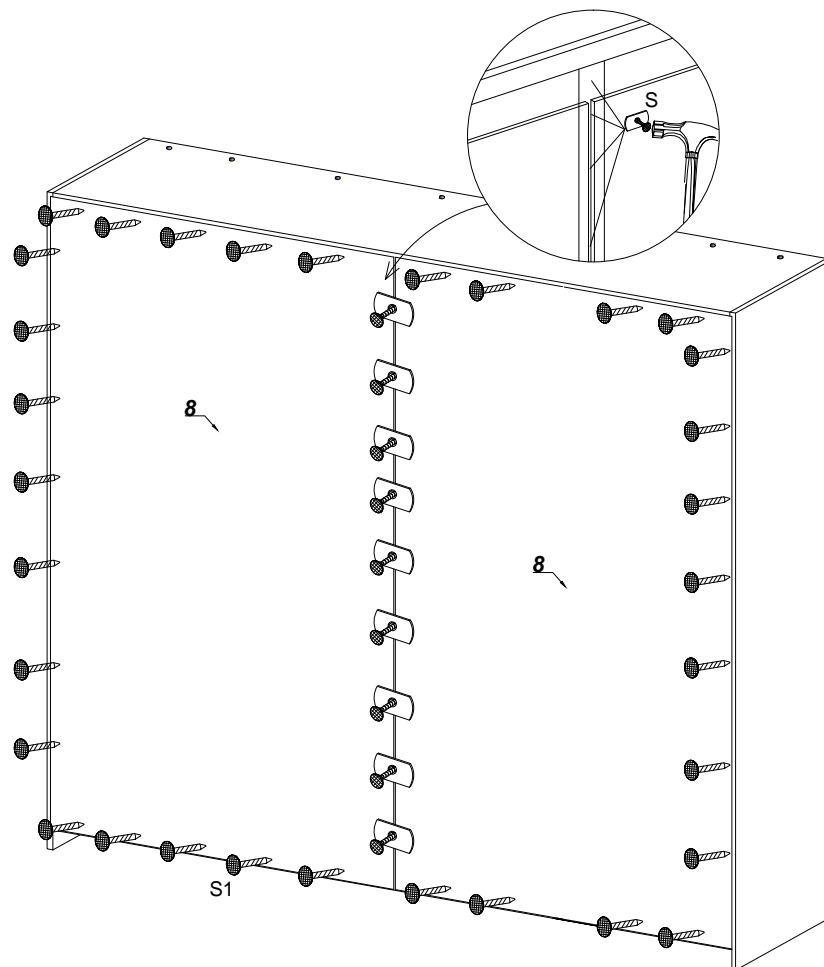


16

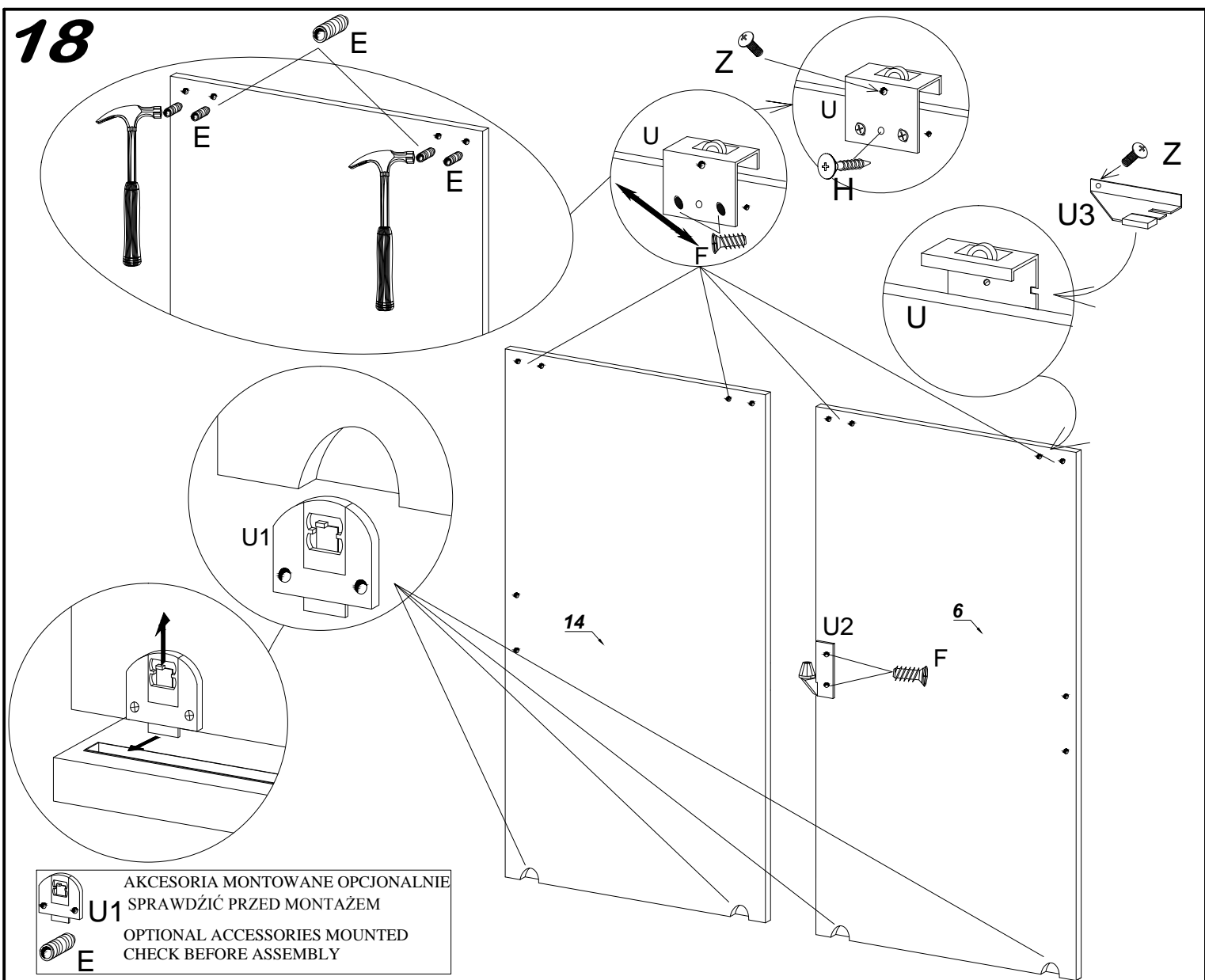


$B=A$

17



18



19

