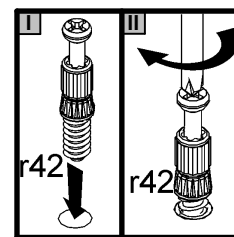
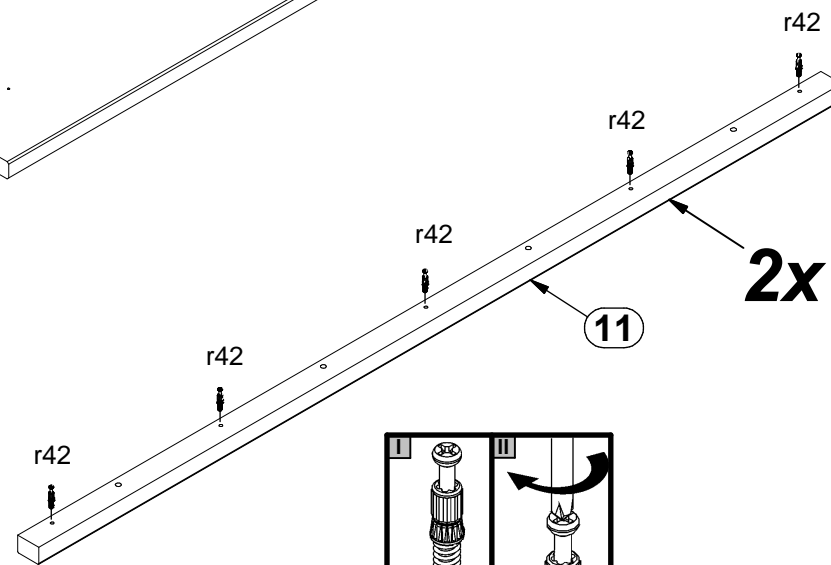
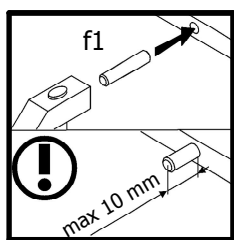
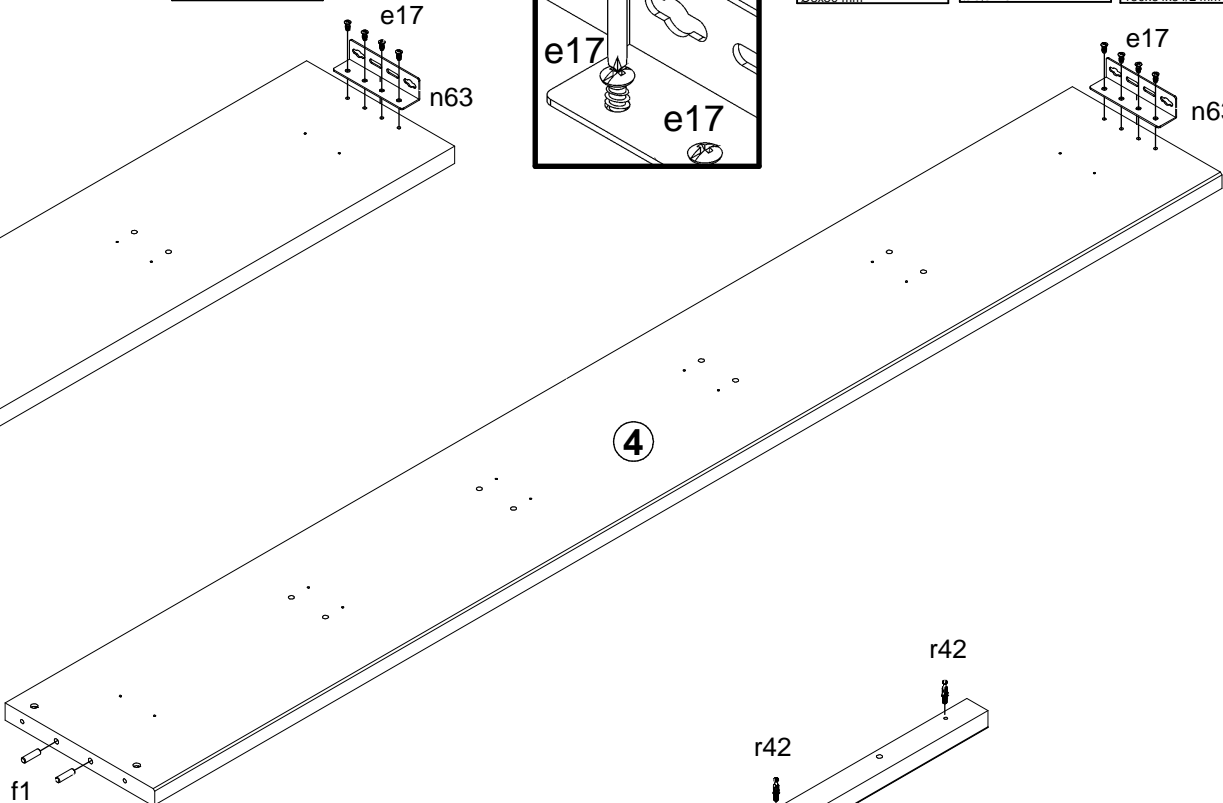
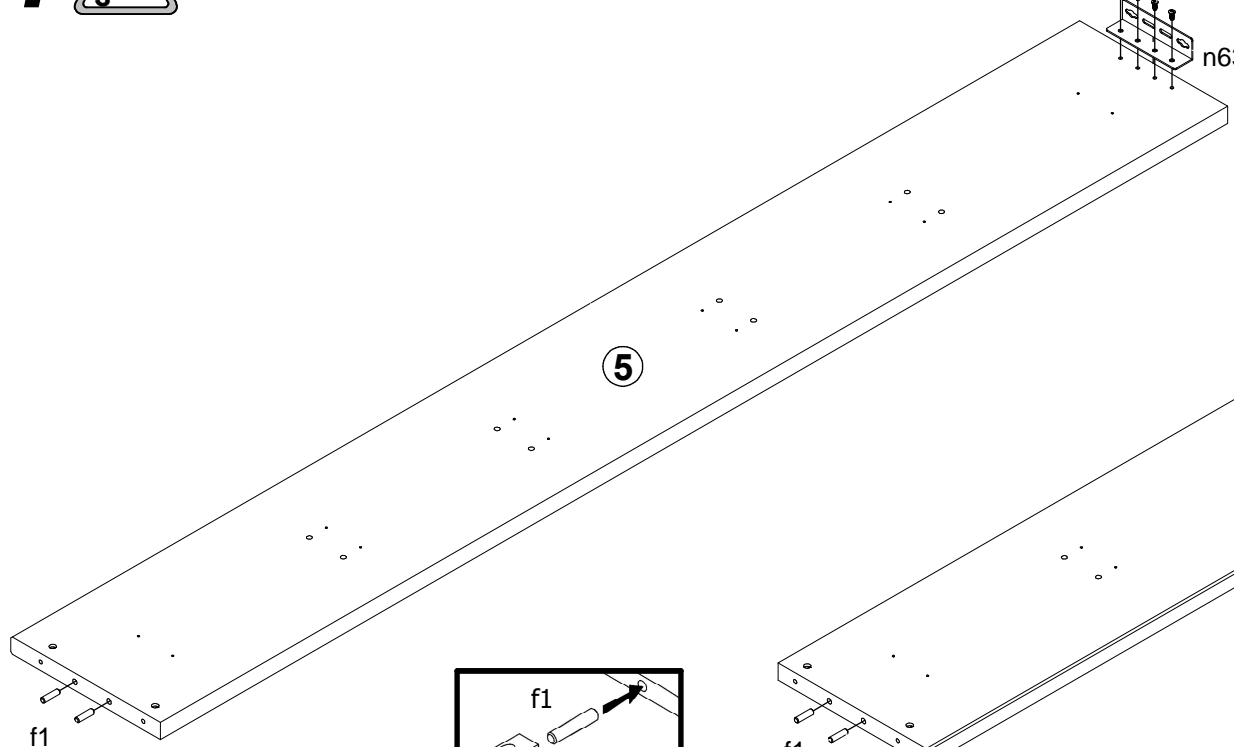
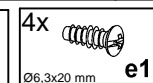
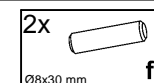
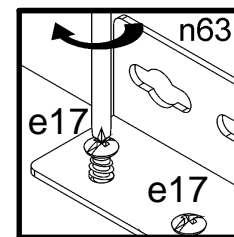
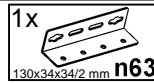
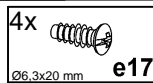
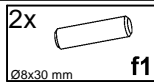


A	B	C1	C2	C3	D
1	L100-0003	1342	922	22	2/3
2	L100-0004	1342	400	22	1/3
3	L100-0007	300	1332	16	1/3
4	L100-1003	1999	280	28	3/3
5	L100-1004	1999	280	28	3/3
6	L100-4001	664	80	16	1/3
7	L100-5001	922	80	32	1/3
8	L100-5002	922	80	32	1/3
9	L100-5003	590	80	32	1/3
10	L100-5004	590	80	32	1/3
11	L100-5006	1504	40	28	1/3
12	L100-5301	680	160	16	1/3
13	L100-5302	680	160	16	1/3
14	L100-5702	1000	160	16	1/3
15	WSP-9270	1010	677	2,5	2/3
16	ZZ1-732	1990	70	27	3/3
17	ZZ1-757	1880	25	30	3/3
18	ZZ1-759	250	70	27	3/3



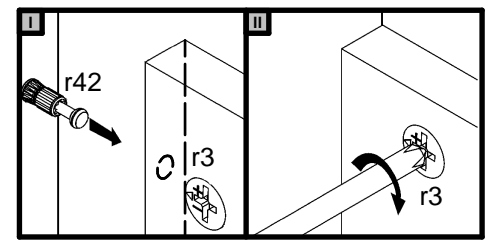
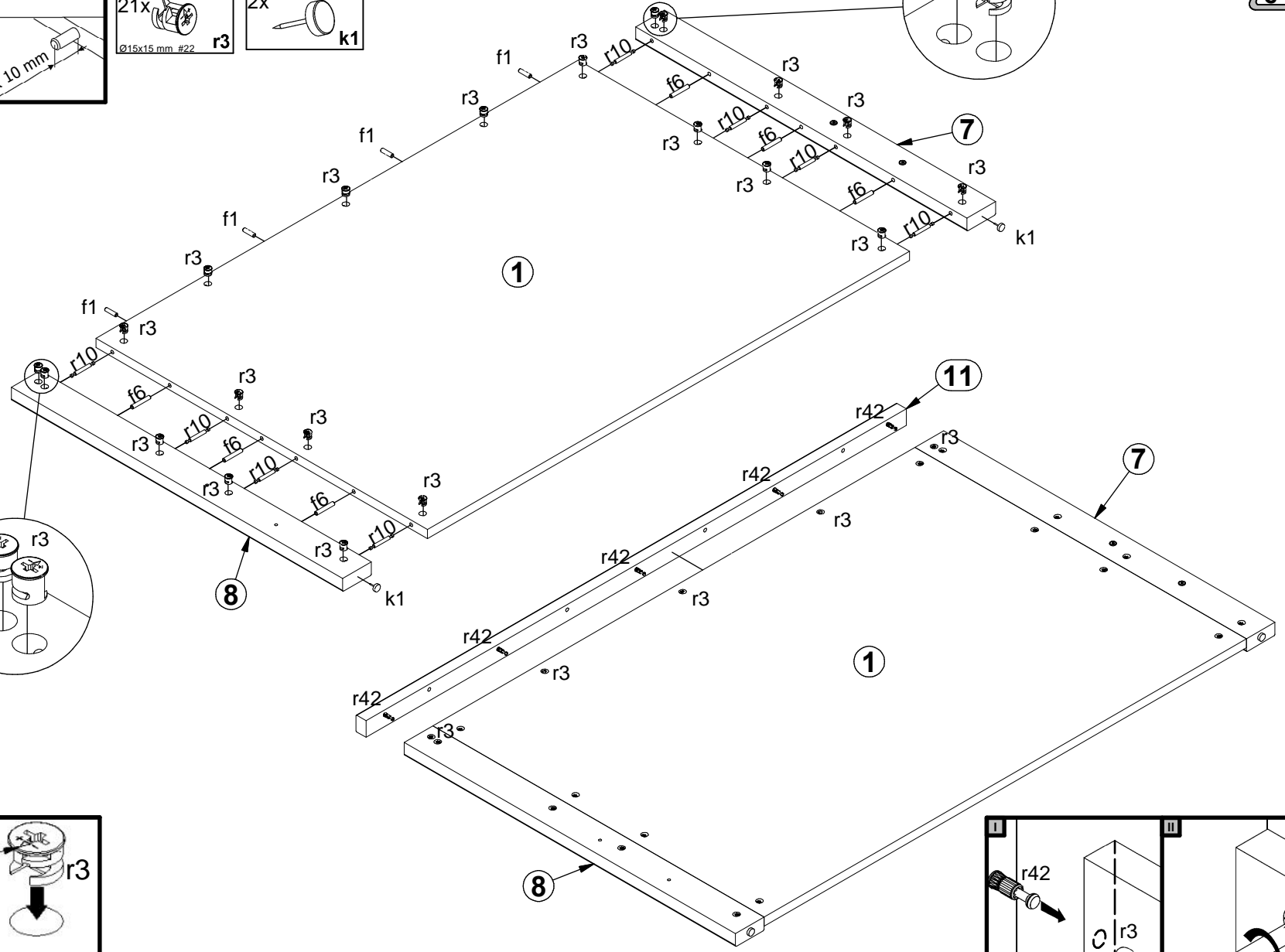
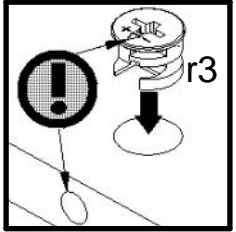
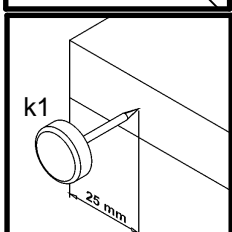
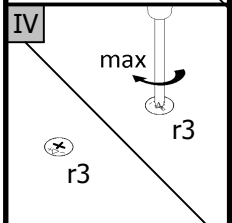
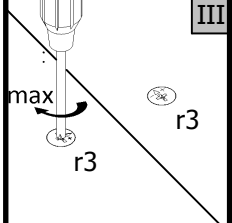
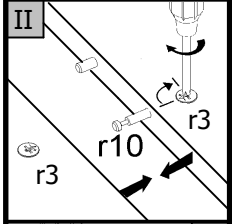
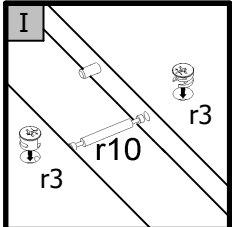
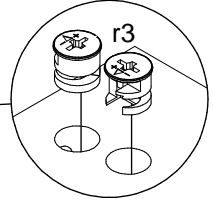
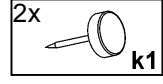
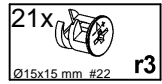
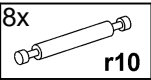
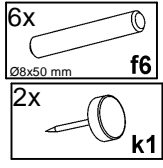
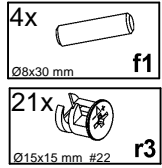
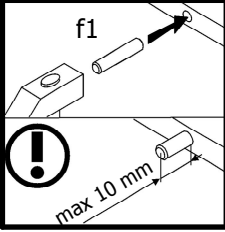
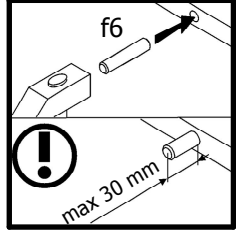
4x Ø7x50 mm e1	8x Ø6,3x13 mm e2	16x Ø6,3x20 mm e17	8x Ø6x13 mm e3
26x Ø8x30 mm f1	10x Ø8x50 mm f6	4x M6x65 mm j132	4x k1
2x k24\2	2x k24\3	4x k24\4	4x k44
2x n34\1	2x n34\2	2x 130x34x34/2 mm n63	6x Ø4x35 mm p6
12x Ø4x45 mm p11	4x Ø4x50 mm p12	6x Ø3,5x25 mm p16	8x Ø15x12 mm #16 r1
34x Ø15x15 mm #22 r3	12x r10	18x 20/11 r42	4x Ø10x16 mm r43
9x Ø16 s2	1x z1		

1 



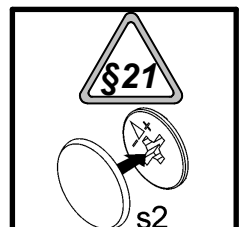
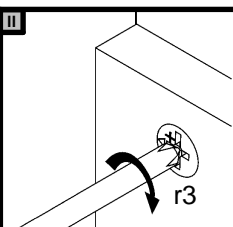
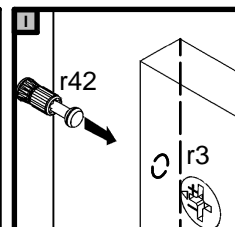
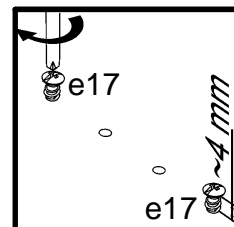
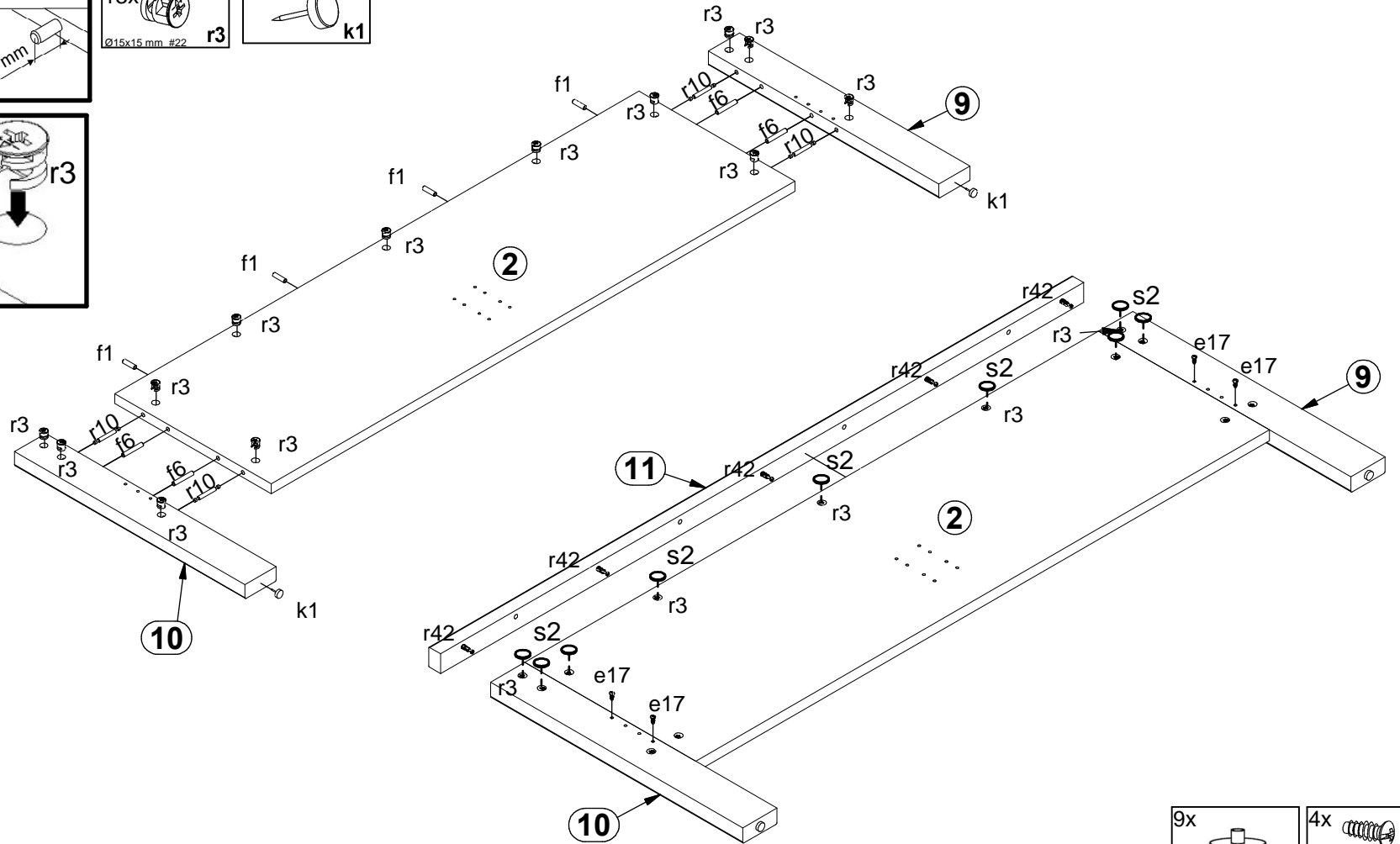
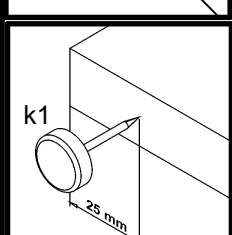
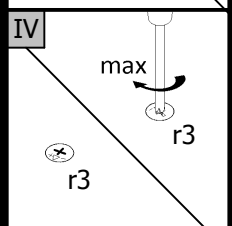
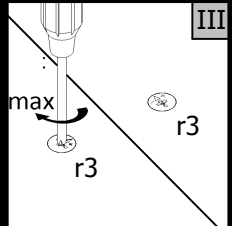
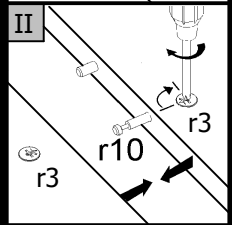
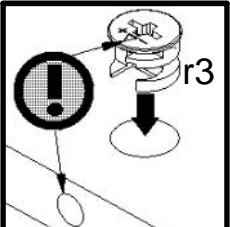
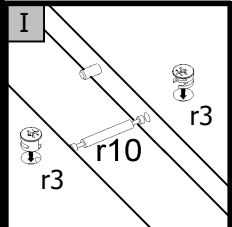
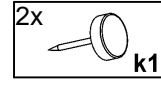
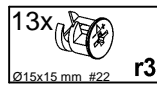
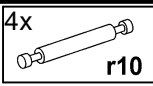
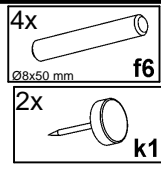
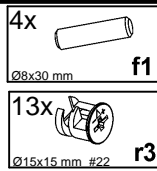
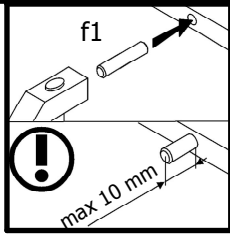
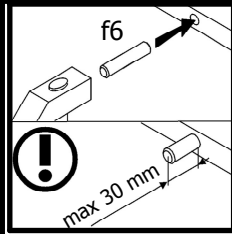
# A L100-LOZ1S/140

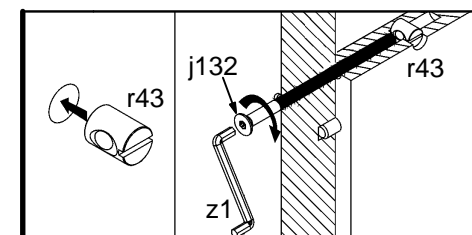
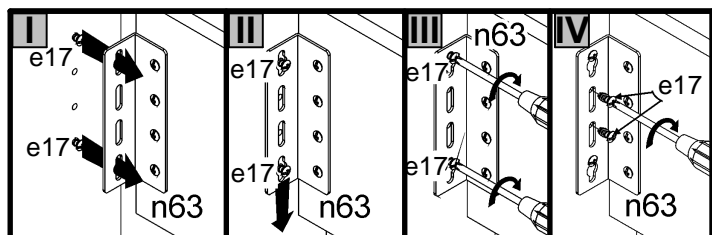
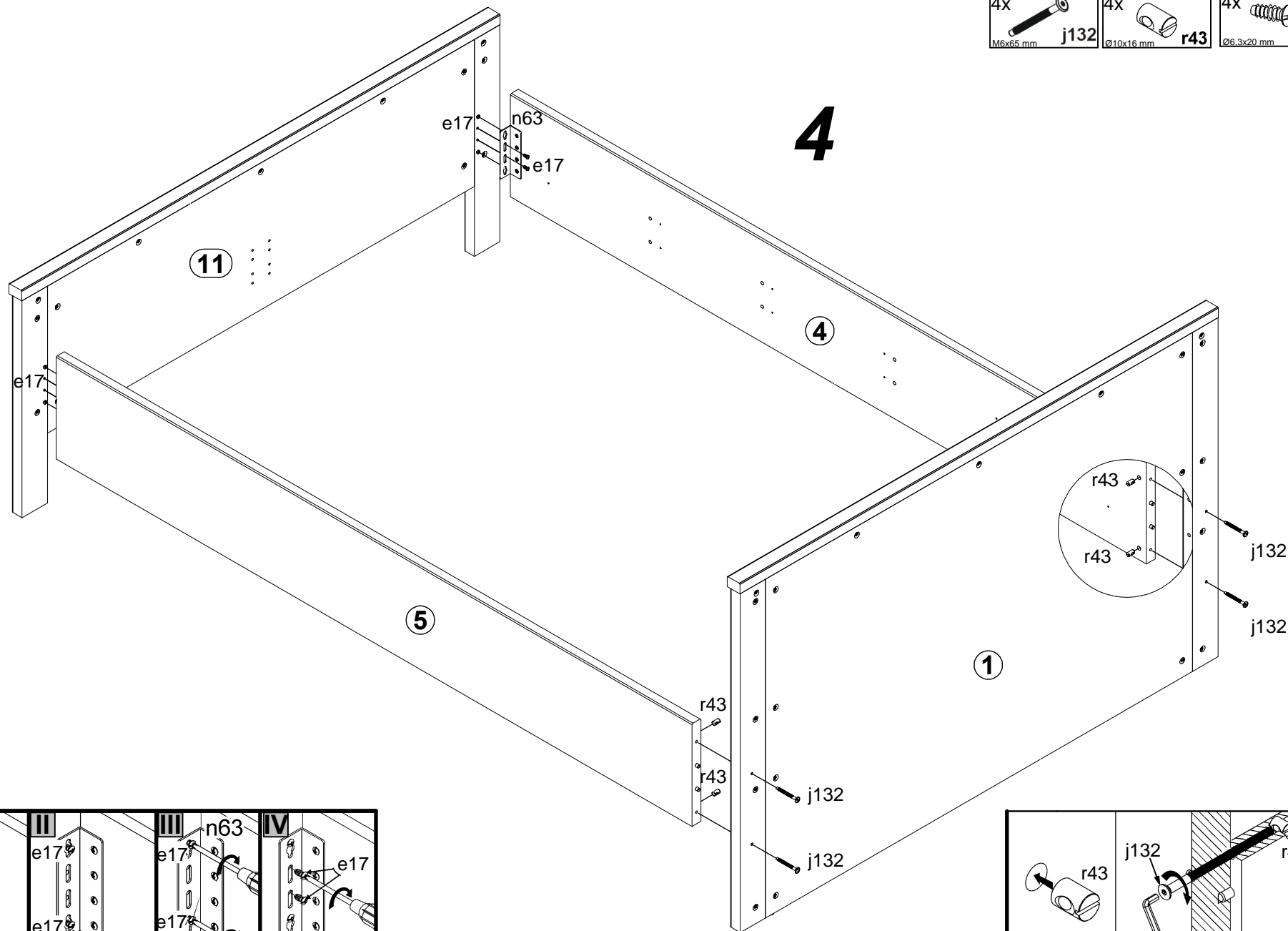
# 2



# A L100-LOZ1S/140

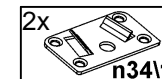
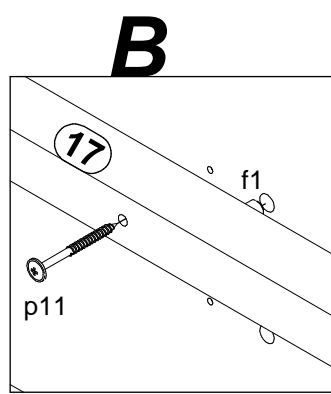
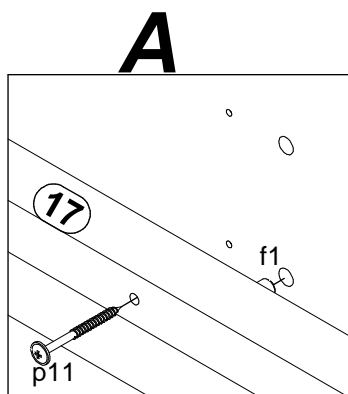
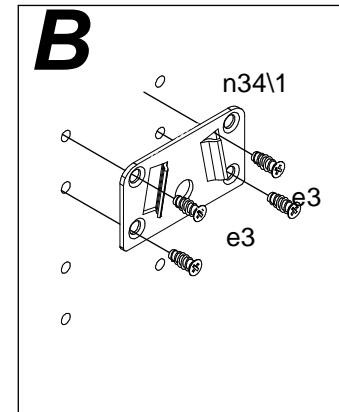
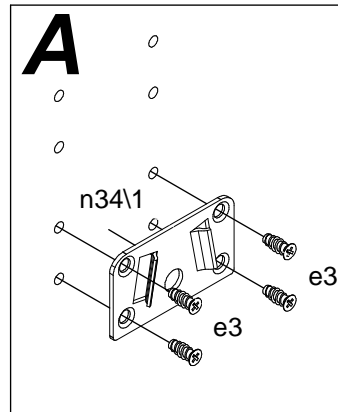
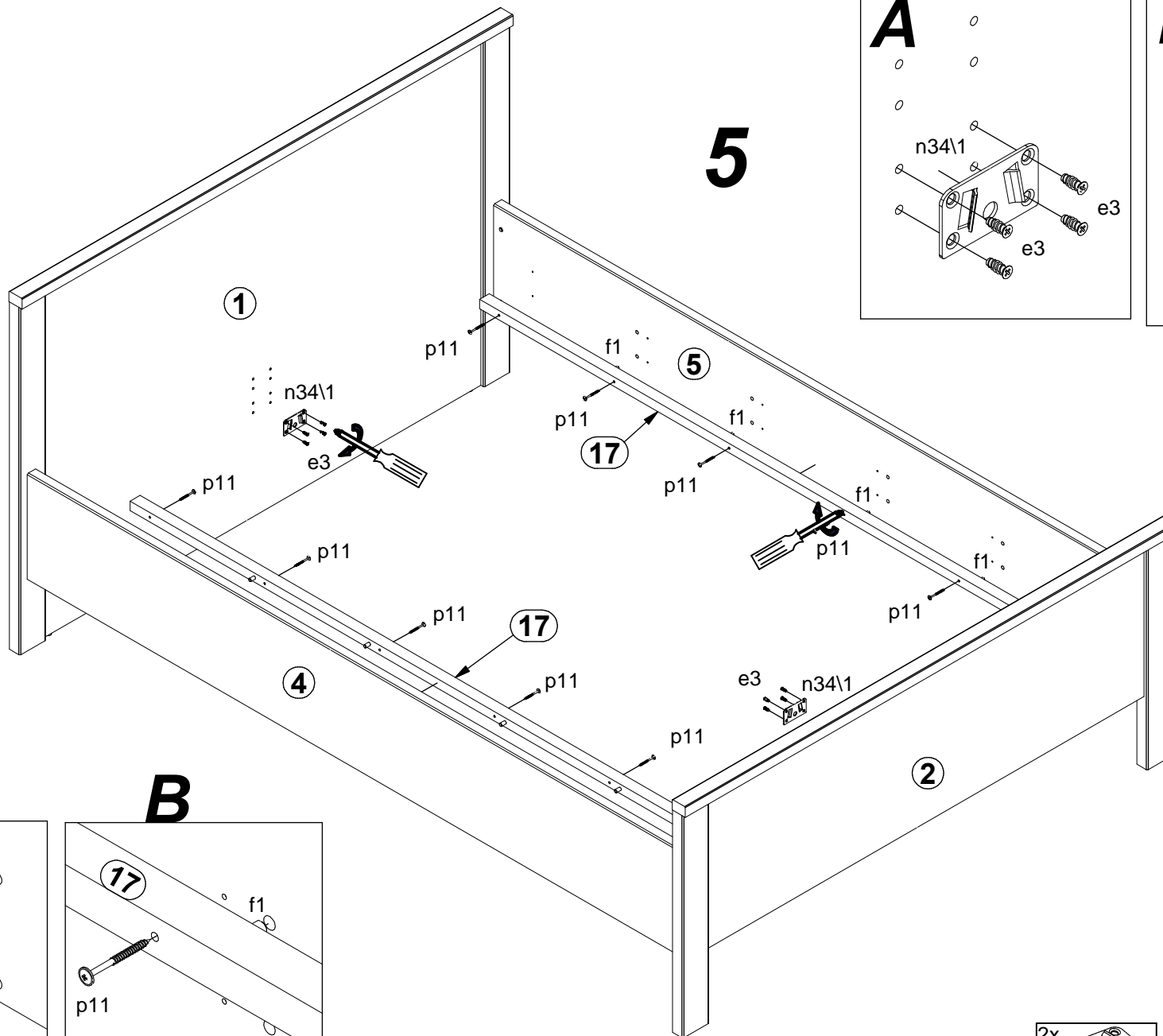
# 3

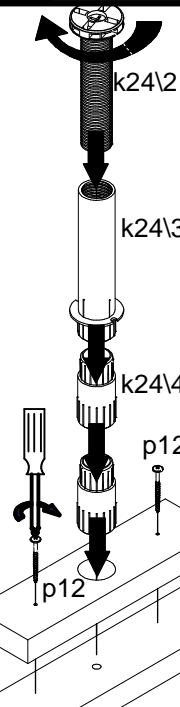






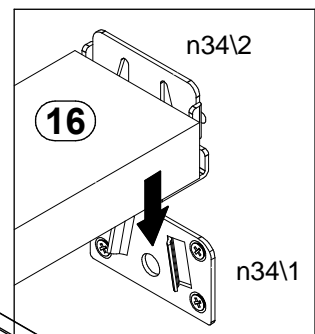
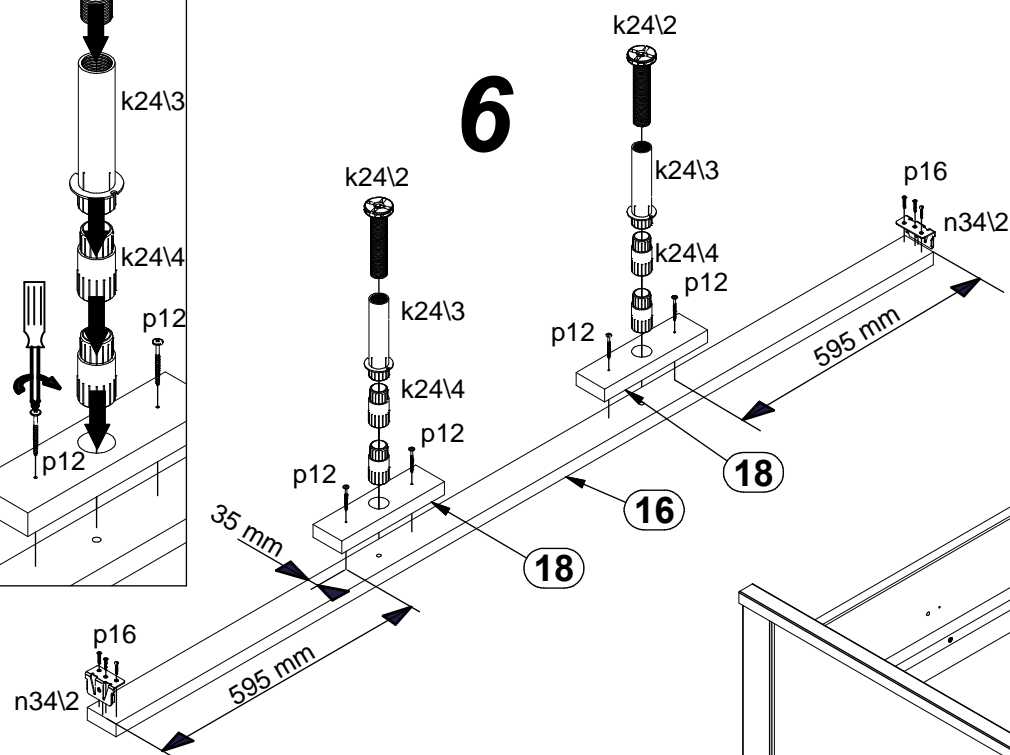
5



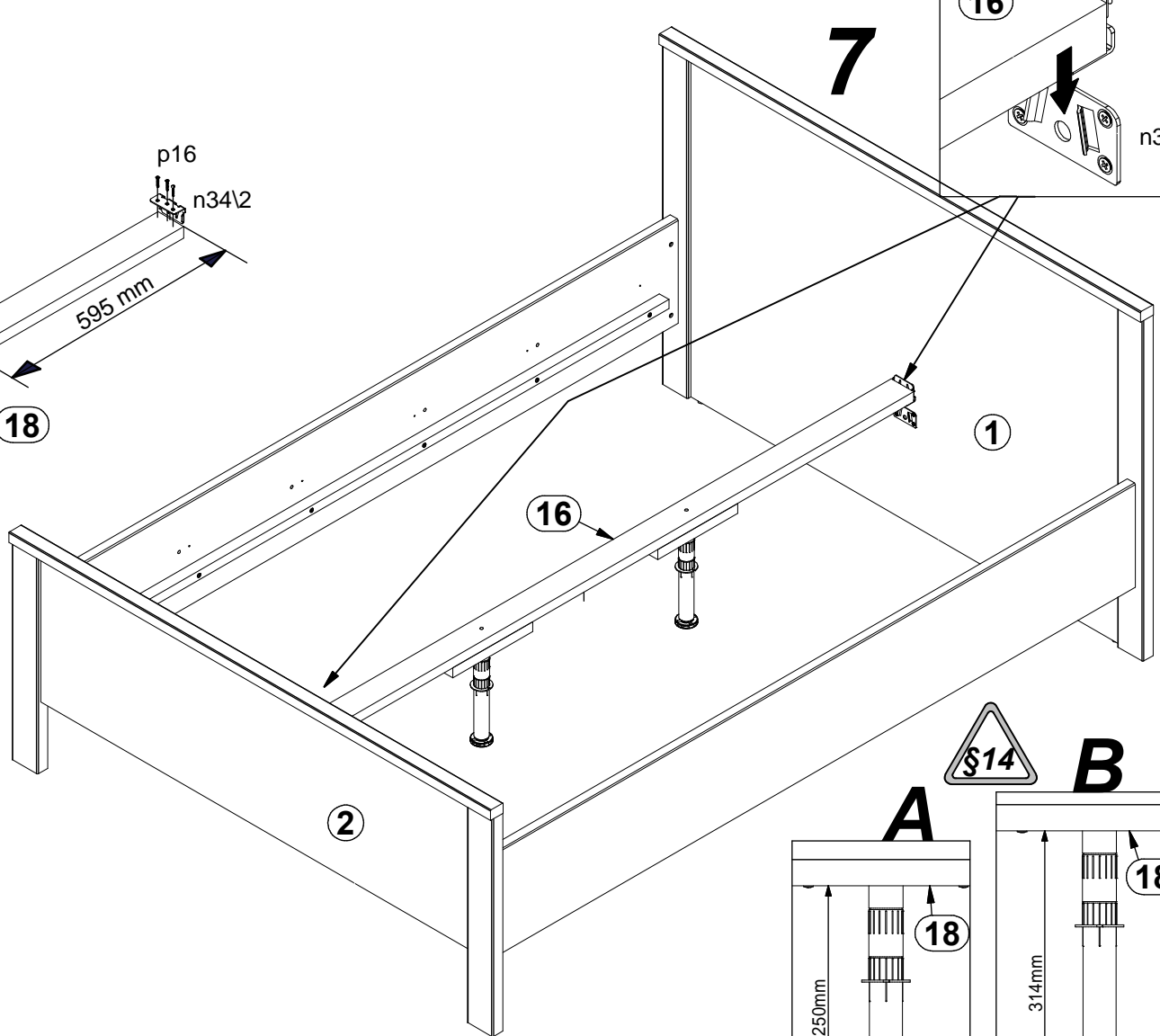
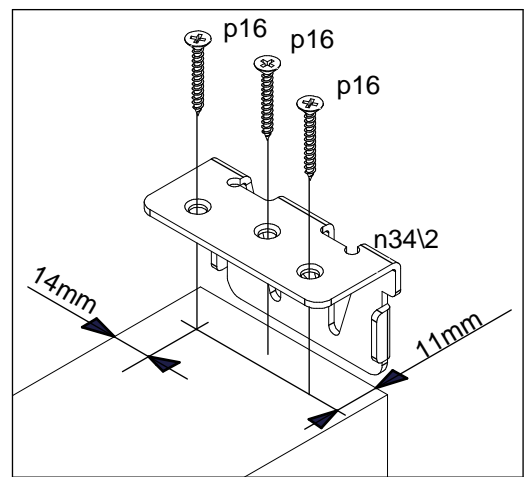


- 4x p12  
Ø4x50 mm
- 2x k24\3
- 4x k24\4
- 2x k24\2
- 2x n34\2
- 6x p16  
Ø3,5x25 mm

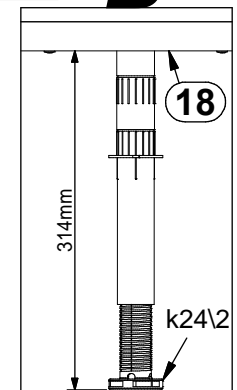
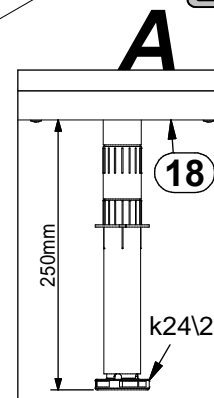
6



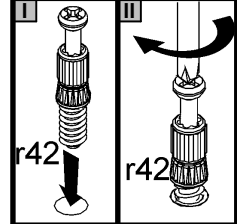
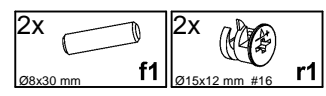
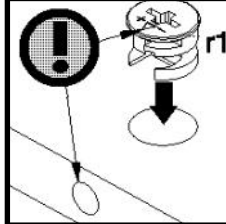
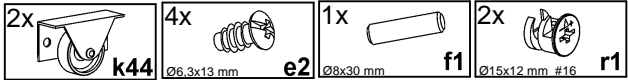
7



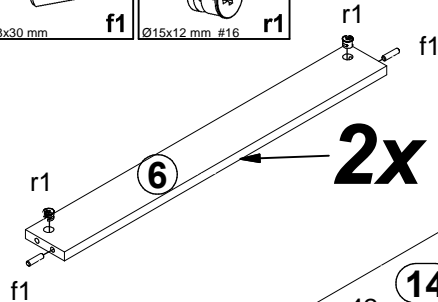
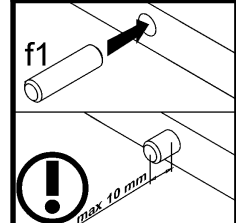
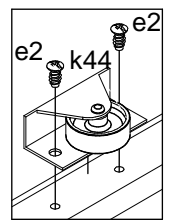
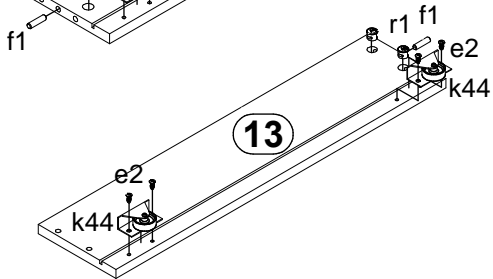
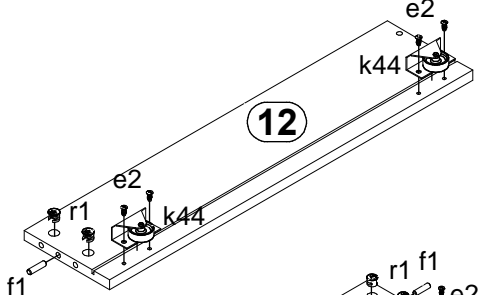
B



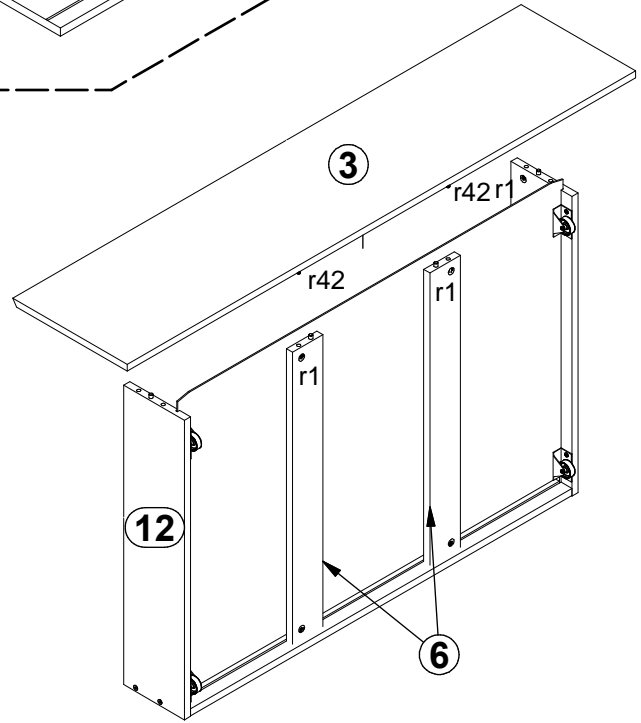
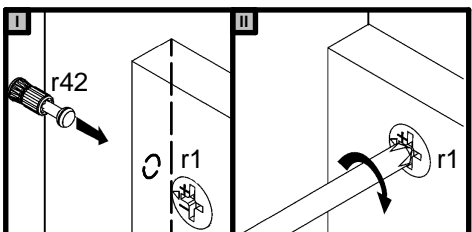
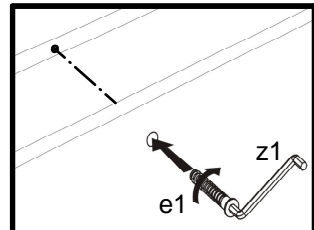
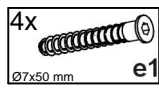
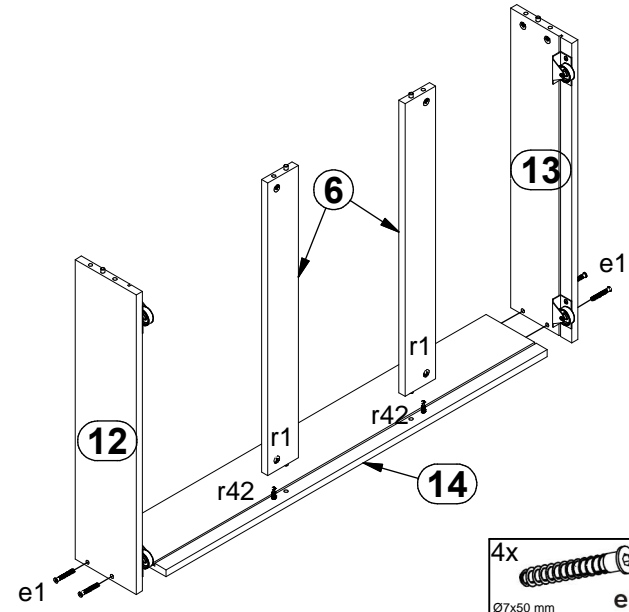
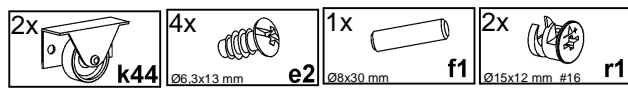
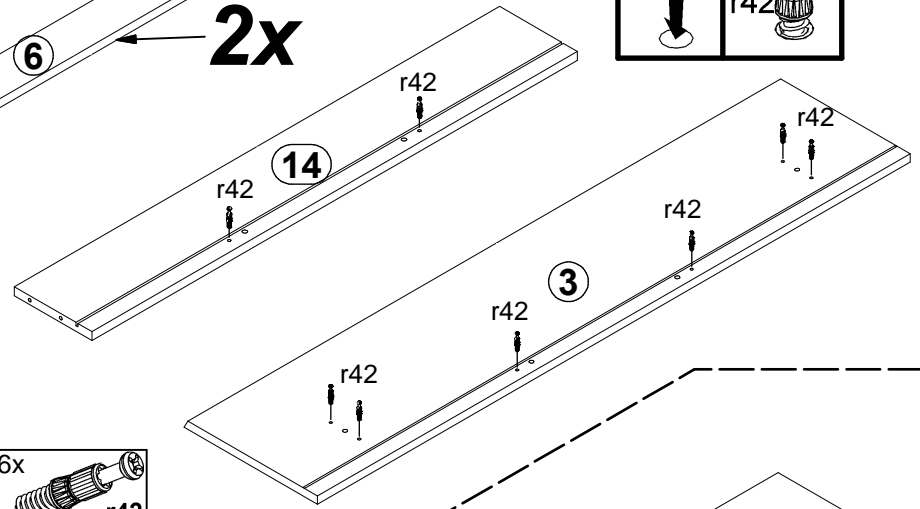
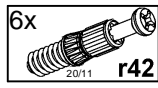




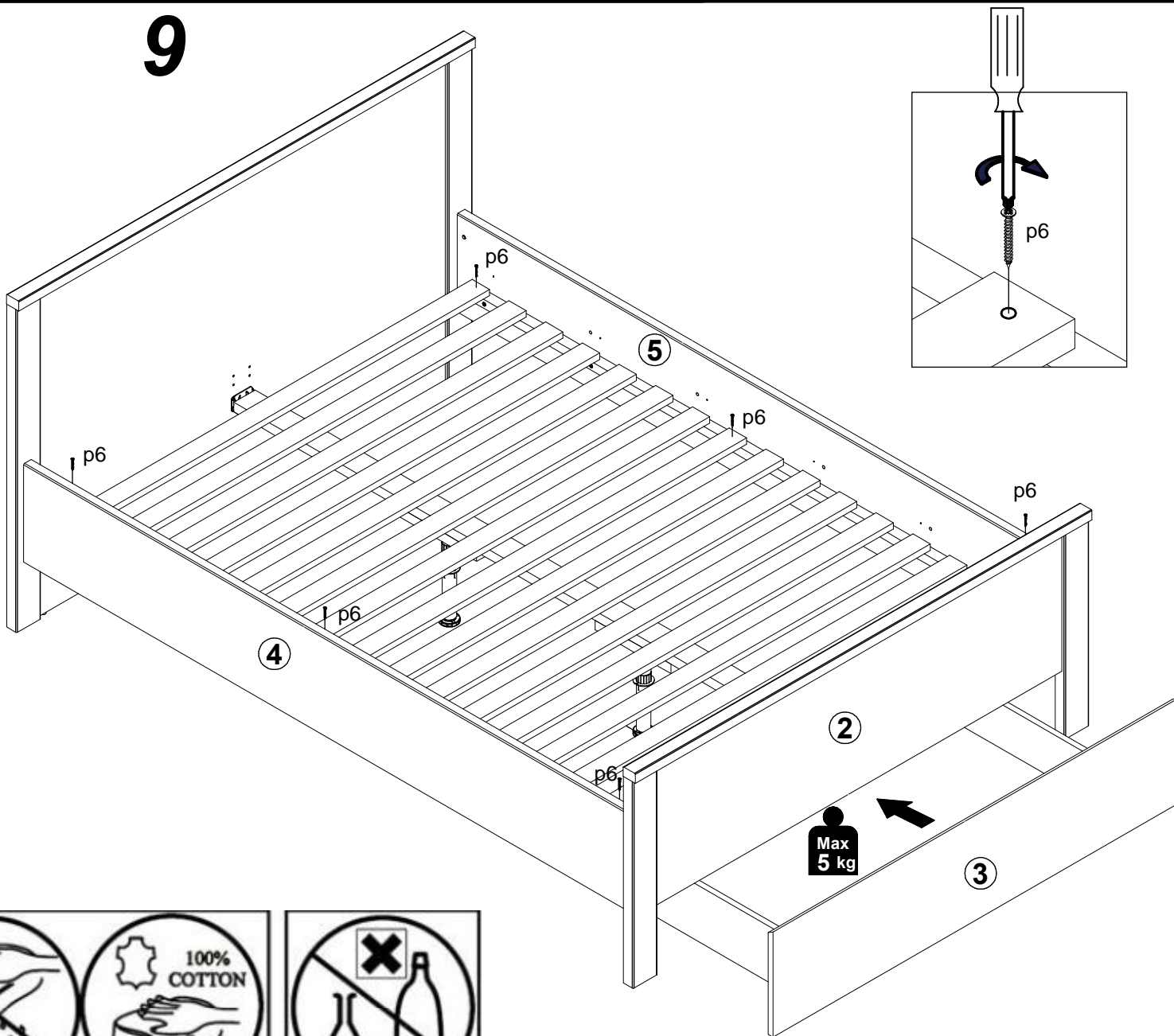
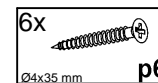
8



2x



# 9



Max  
5 kg

