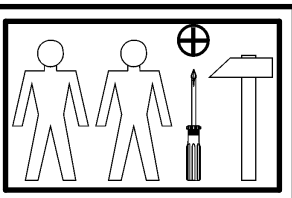
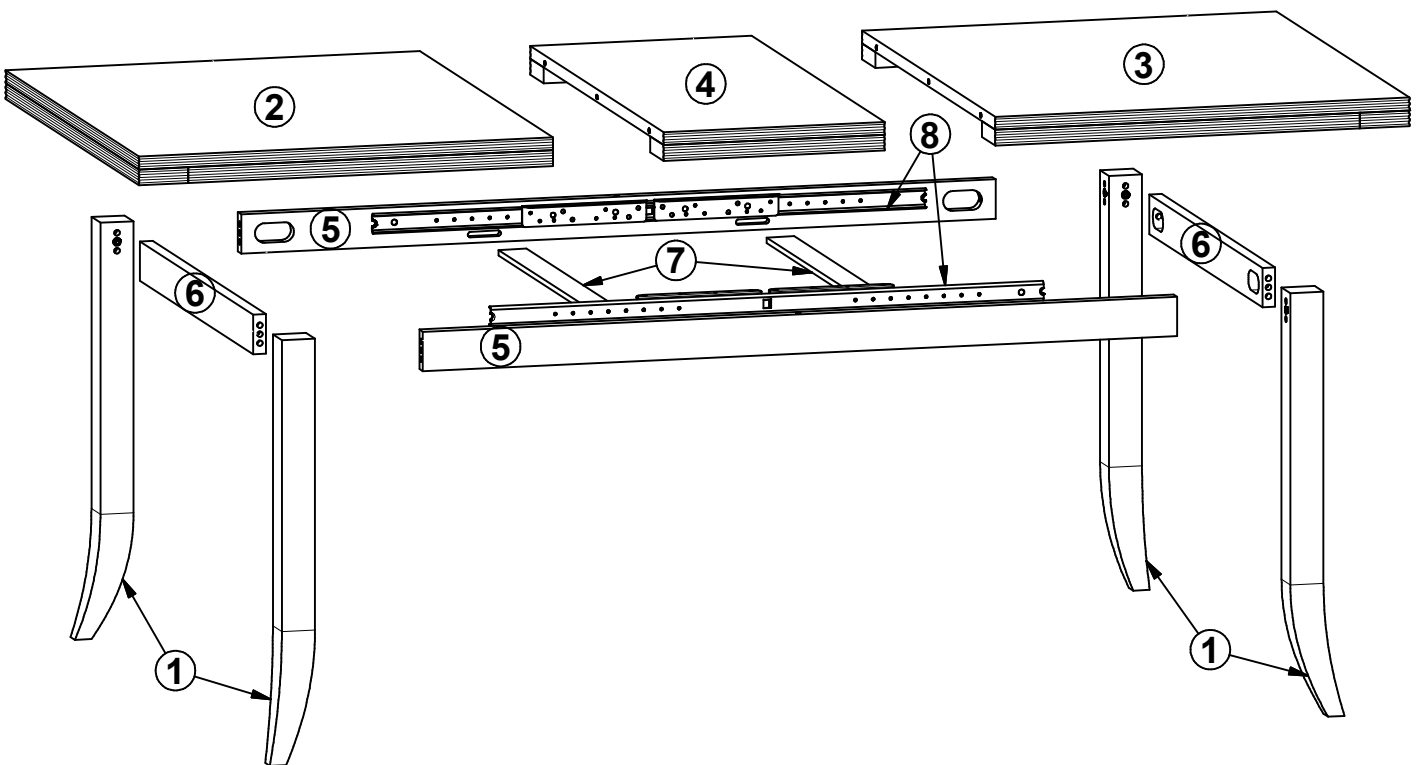
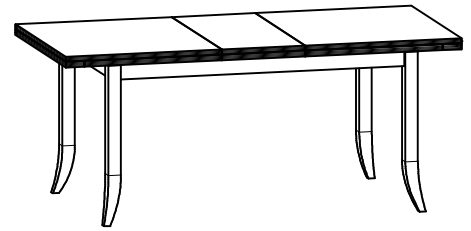
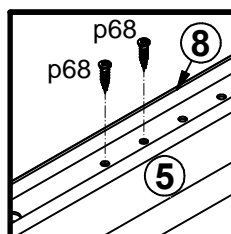
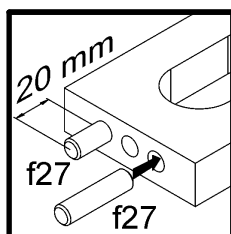
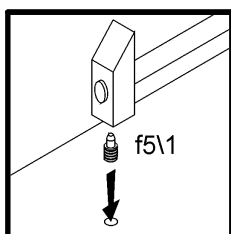
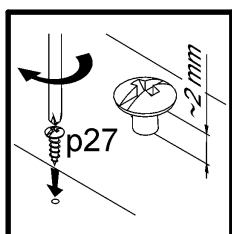
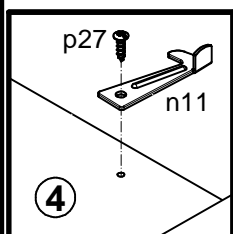
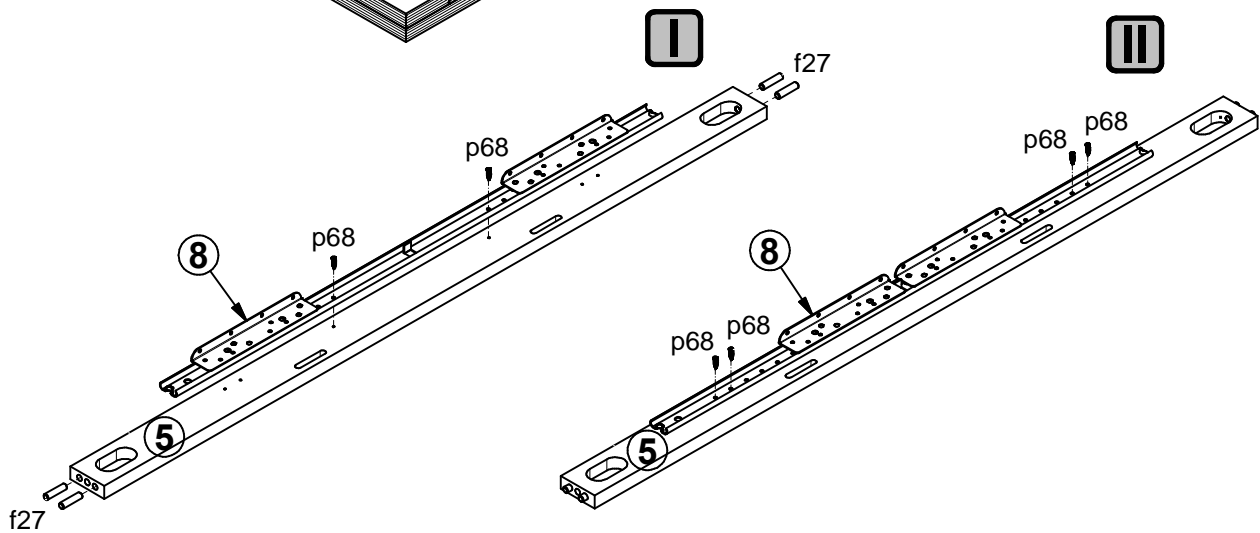
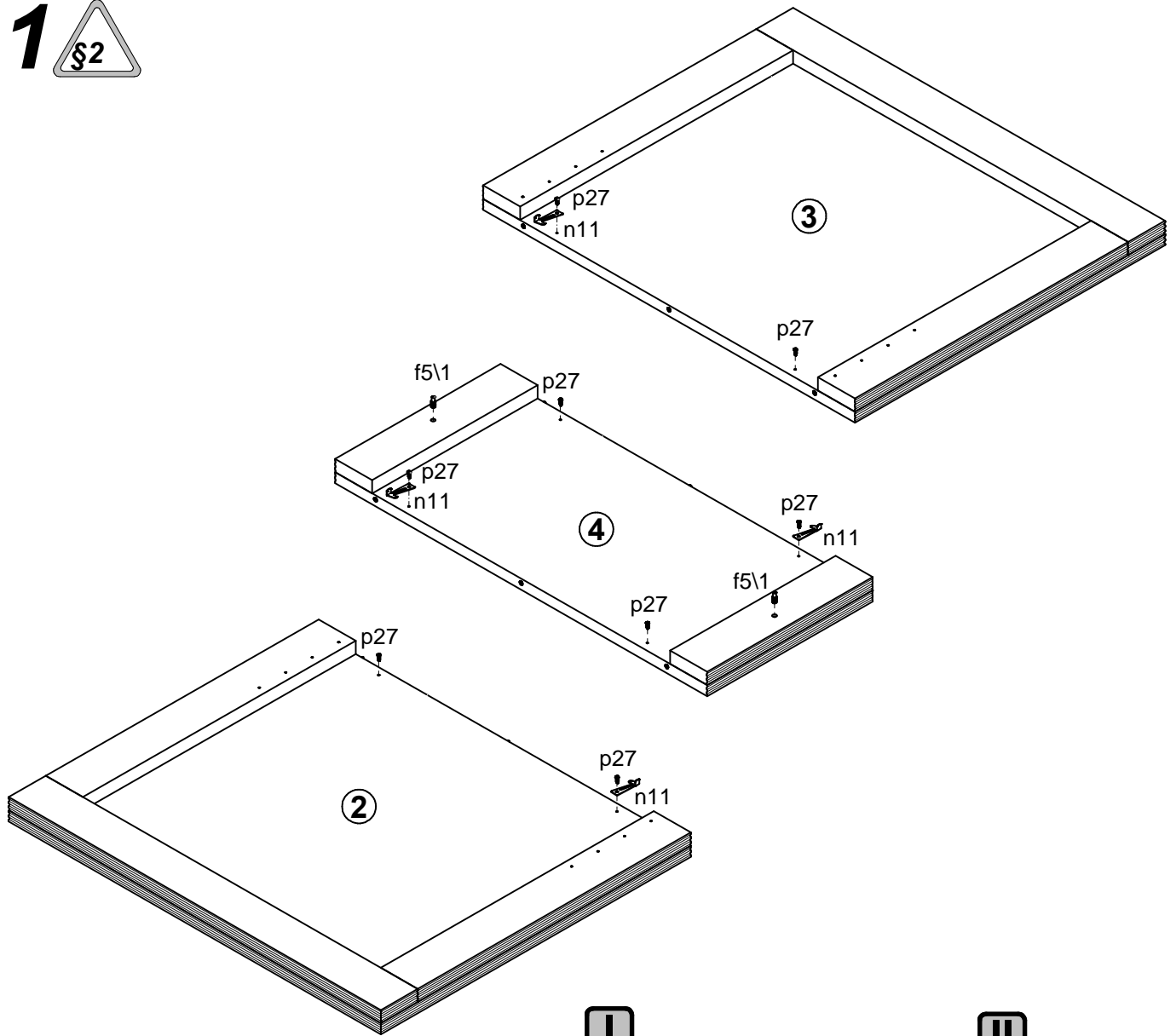


A	B	C	D
1	S81-1572	750	90
2	S81-221	750	900
3	S81-222	750	900
4	S81-223	400	900
5	S81-412	1365	70
6	S81-413	765	70
7	S81-414	828	50
8	w59	1000	



16x φ10x40 mm f27	2x metalowy f5\1	8x M8x40 mm j54	4x n11	8x φ8(φ17)x1,8 mm o28	8x φ3,5x13 mm p27	28x φ4x20 mm p68	1x 6mm z16
-------------------------	------------------------	-----------------------	-----------	-----------------------------	-------------------------	------------------------	------------------

1 



# 2

