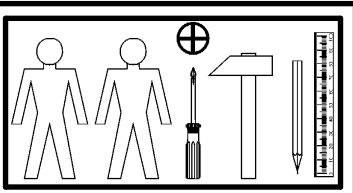
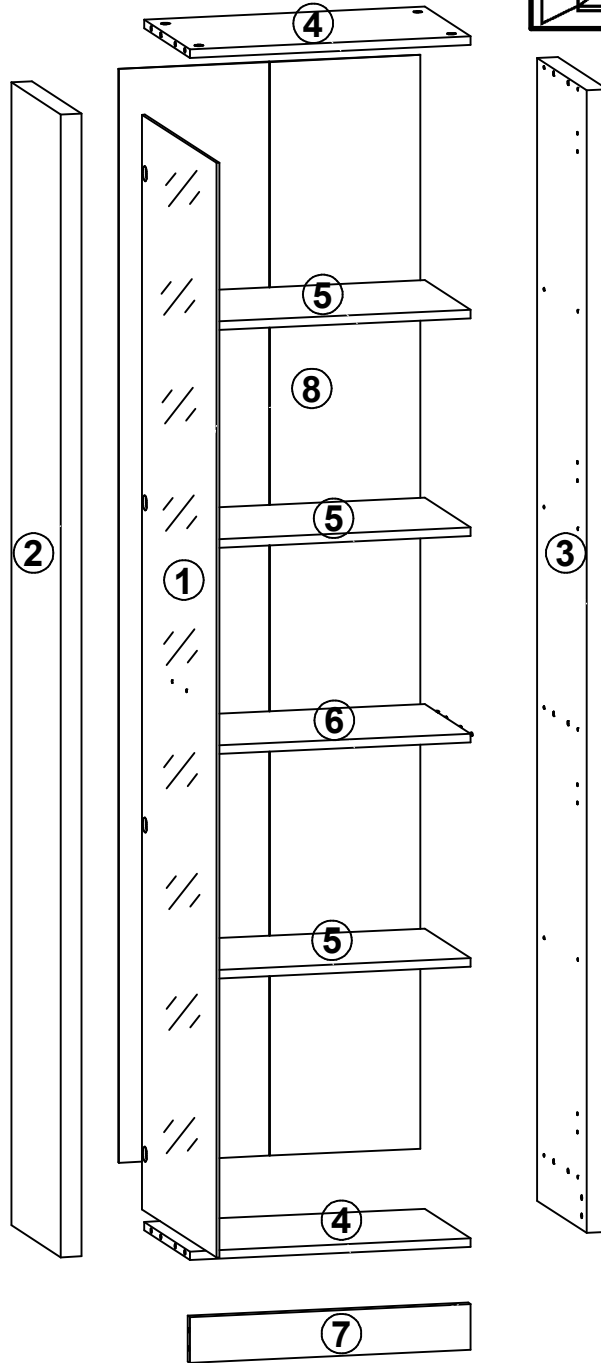
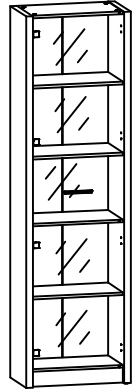
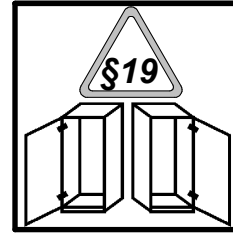


SETI

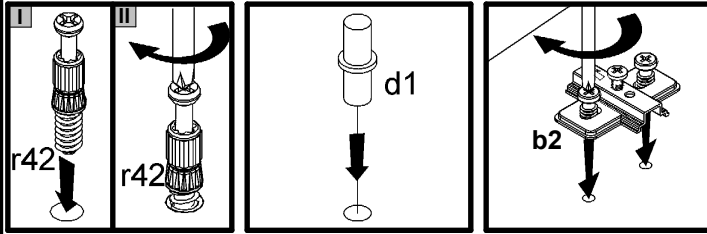
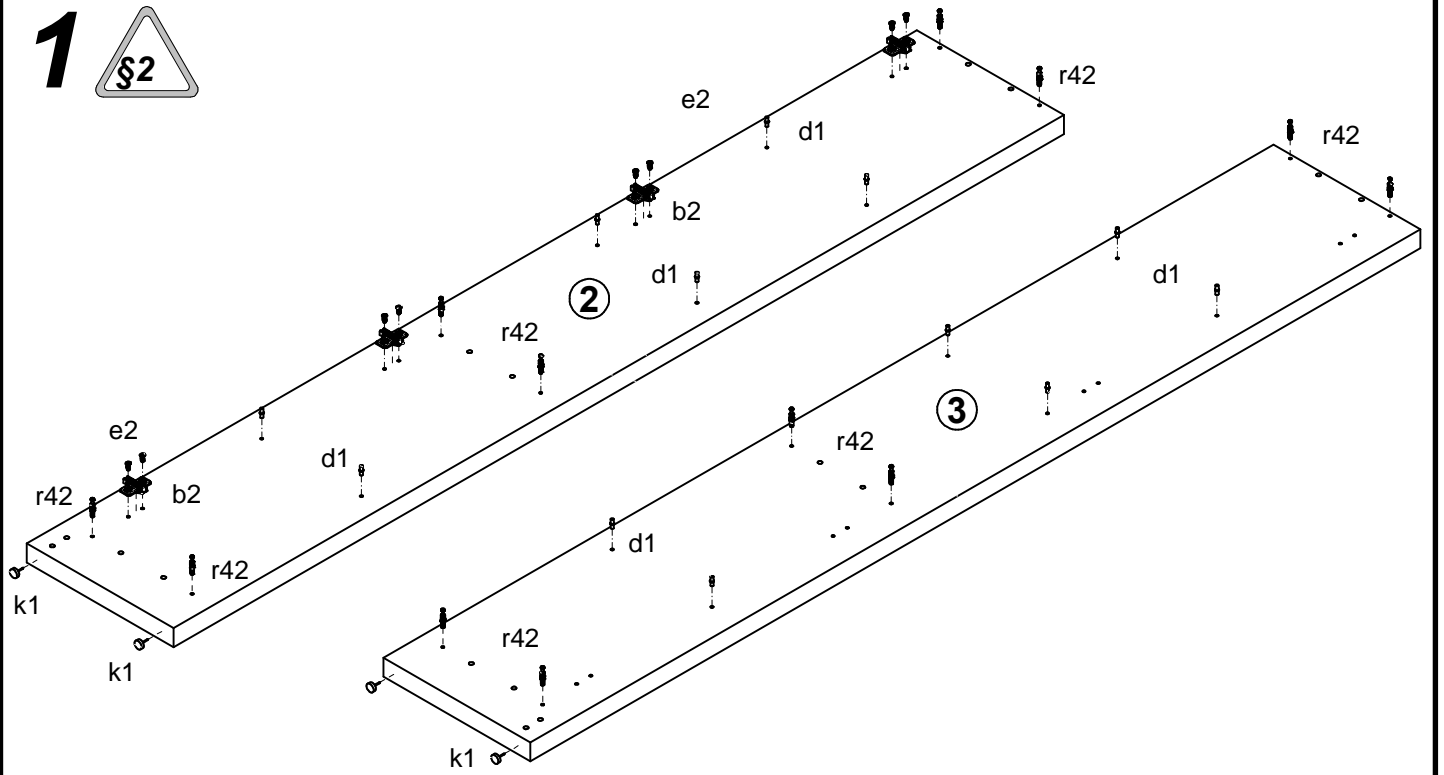
S135-REG1W

A	B	C	D
1	S135-004	1916	495 3/3
2	S135-107	2000	330 1/3
3	S135-108	2000	330 1/3
4	S135-307	500	305 2/3
5	S135-308	499	305 2/3
6	S135-363	500	305 2/3
7	S135-403	500	80 2/3
8	S135-905	1914	537 1/3

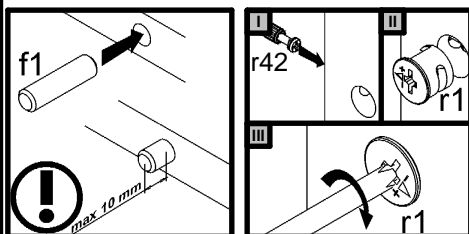
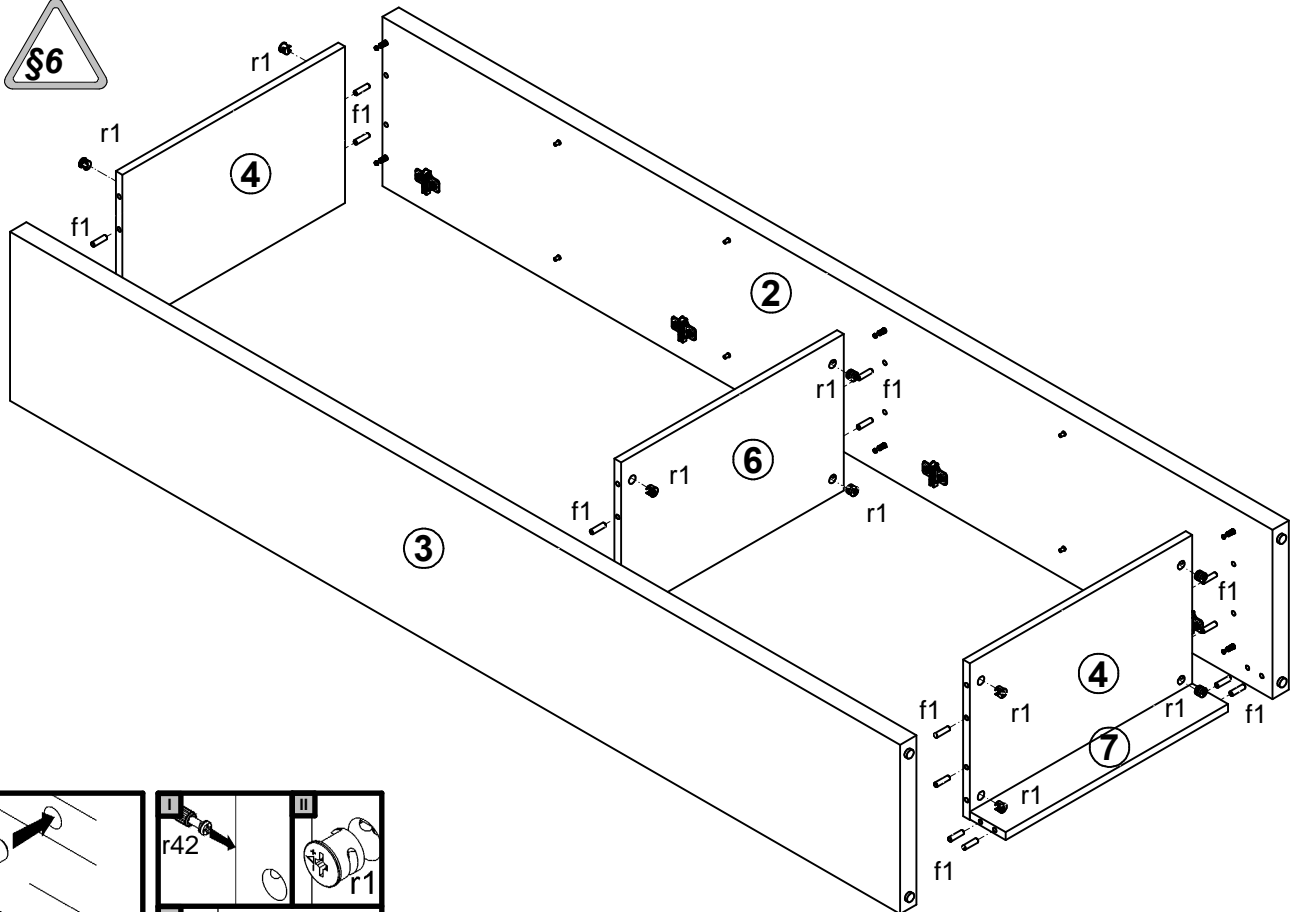


4x a1211	4x a42/2	4x a43/3	4x b2	1x c296/3	12x d1	8x e2	16x f1	4x k1
55x l1	1x p38	8x p53	2x p37	12x r1	3x o21	2x o47	12x r42	1x n26/1
4x s2								

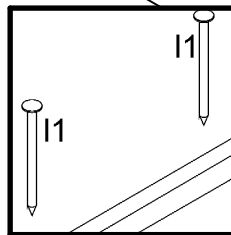
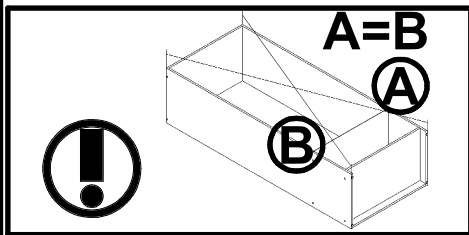
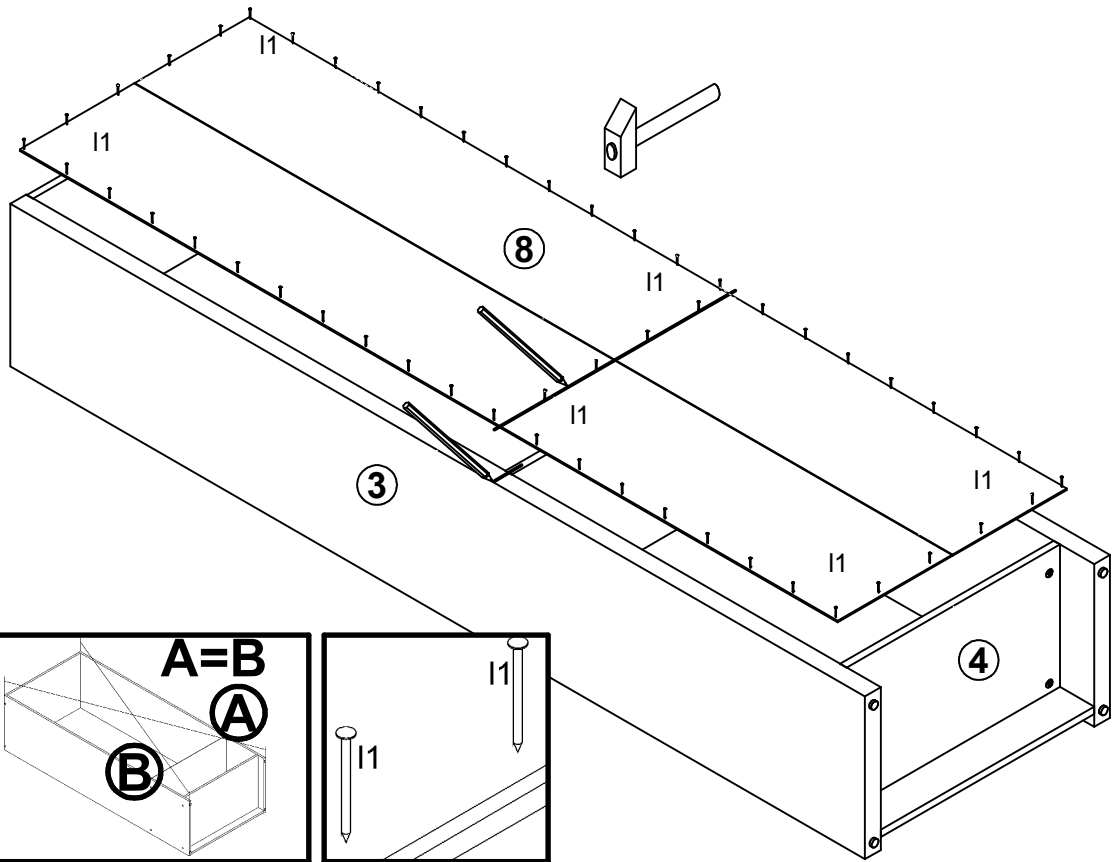
1



2



3



4

