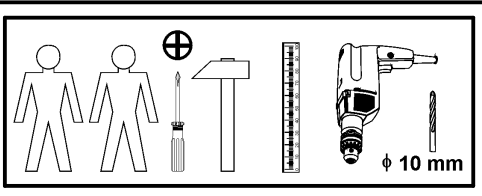
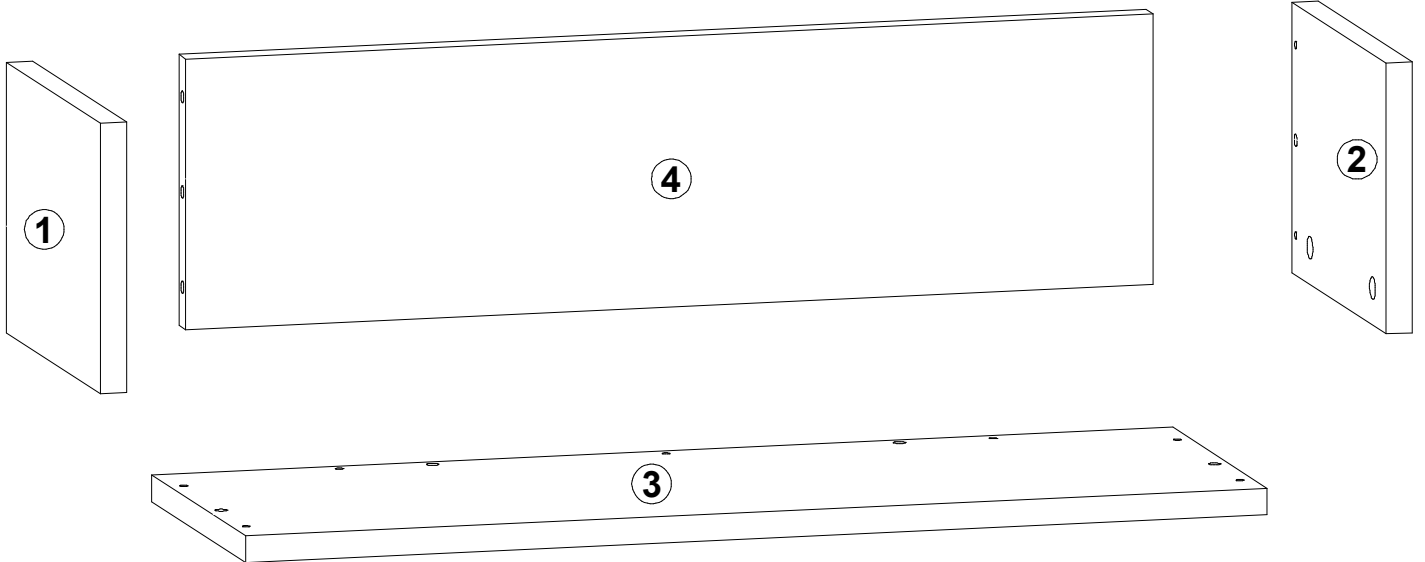
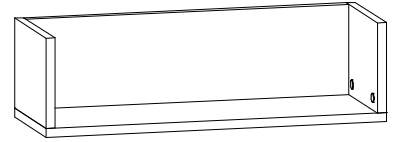

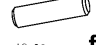








# RINGO

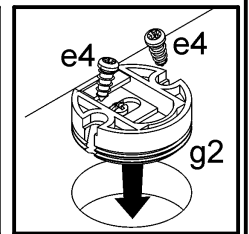
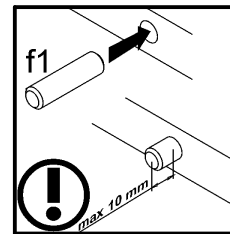
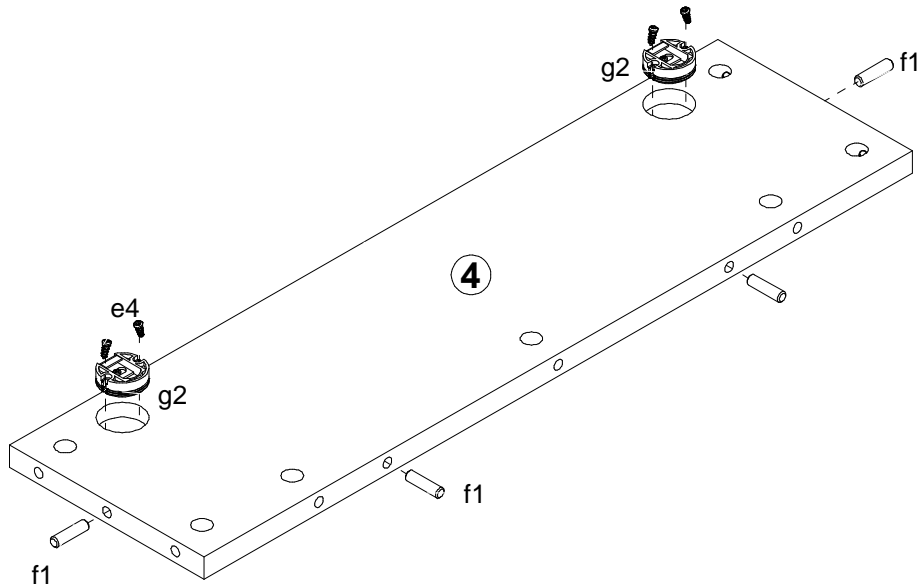
S61-POL/7/2

A	B	C		D
1	S61-127	182	240	1/1
2	S61-128	182	240	1/1
3	S61-221	700	240	1/1
4	S61-404	663	182	1/1

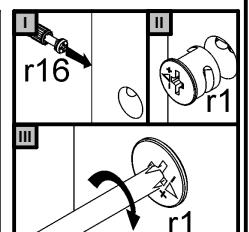
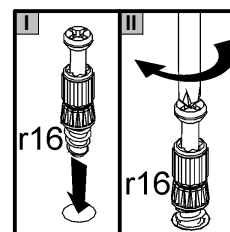
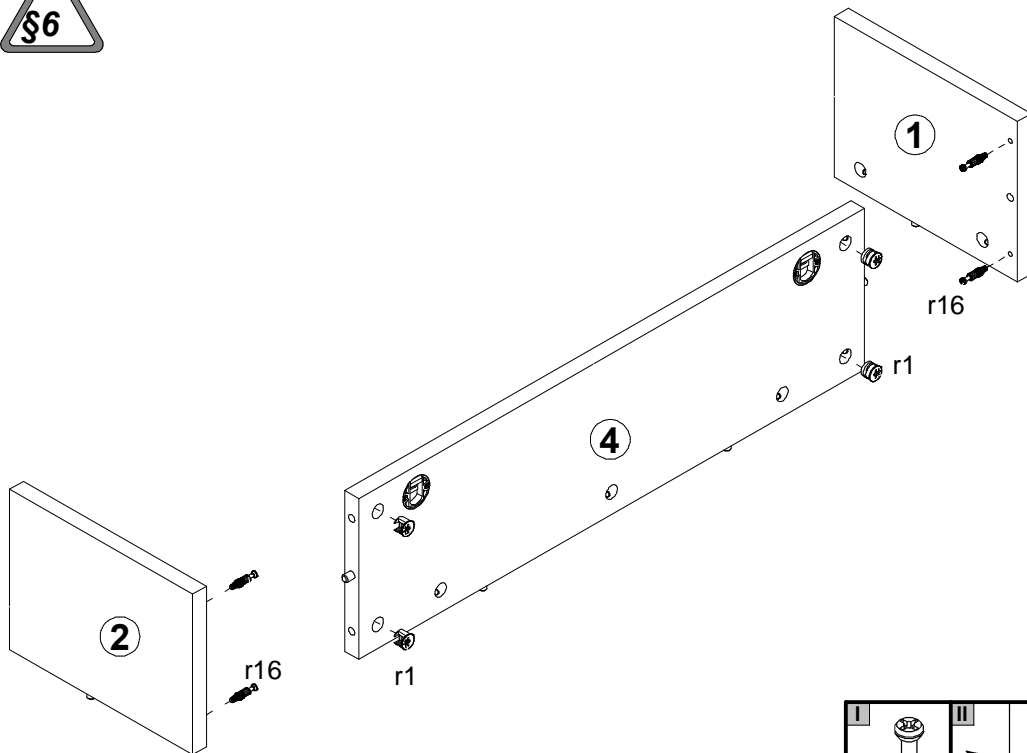


- 4x   $\phi 5 \times 11$  mm **e4**
- 6x   $\phi 8 \times 30$  mm **f1**
- 2x   $\phi 10 \times 50$  mm **f35**
- 2x  **g2**
- 2x   $\phi 6 \times 60$  mm **p75**
- 11x   $\phi 15 \times 12$  mm #16 **r1**
- 11x  **r16**
- 4x   $\phi 16$  **s2**

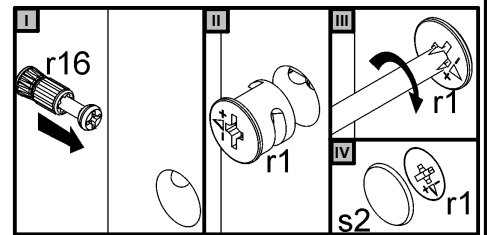
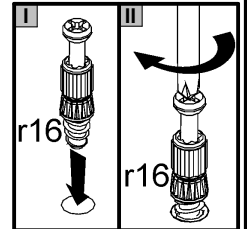
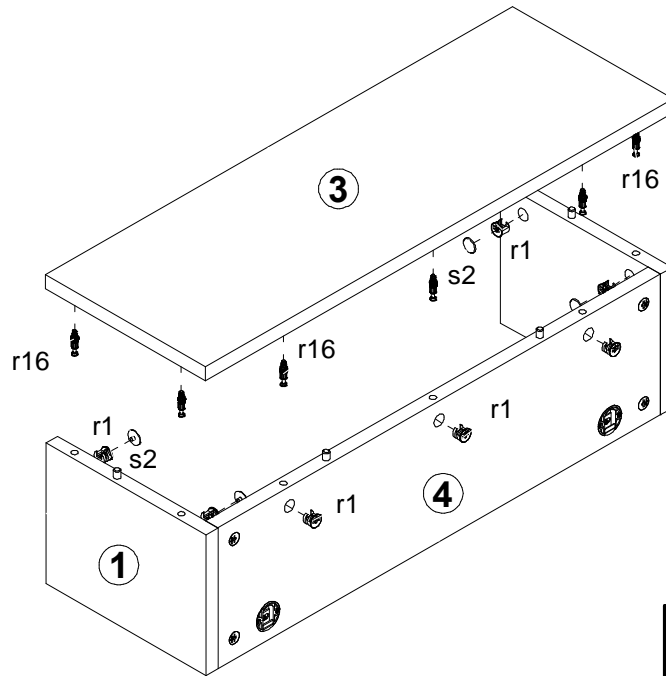
# 1



# 2



# 3



# 4

