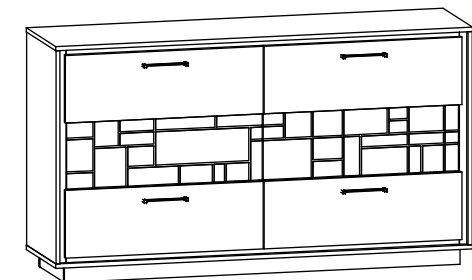
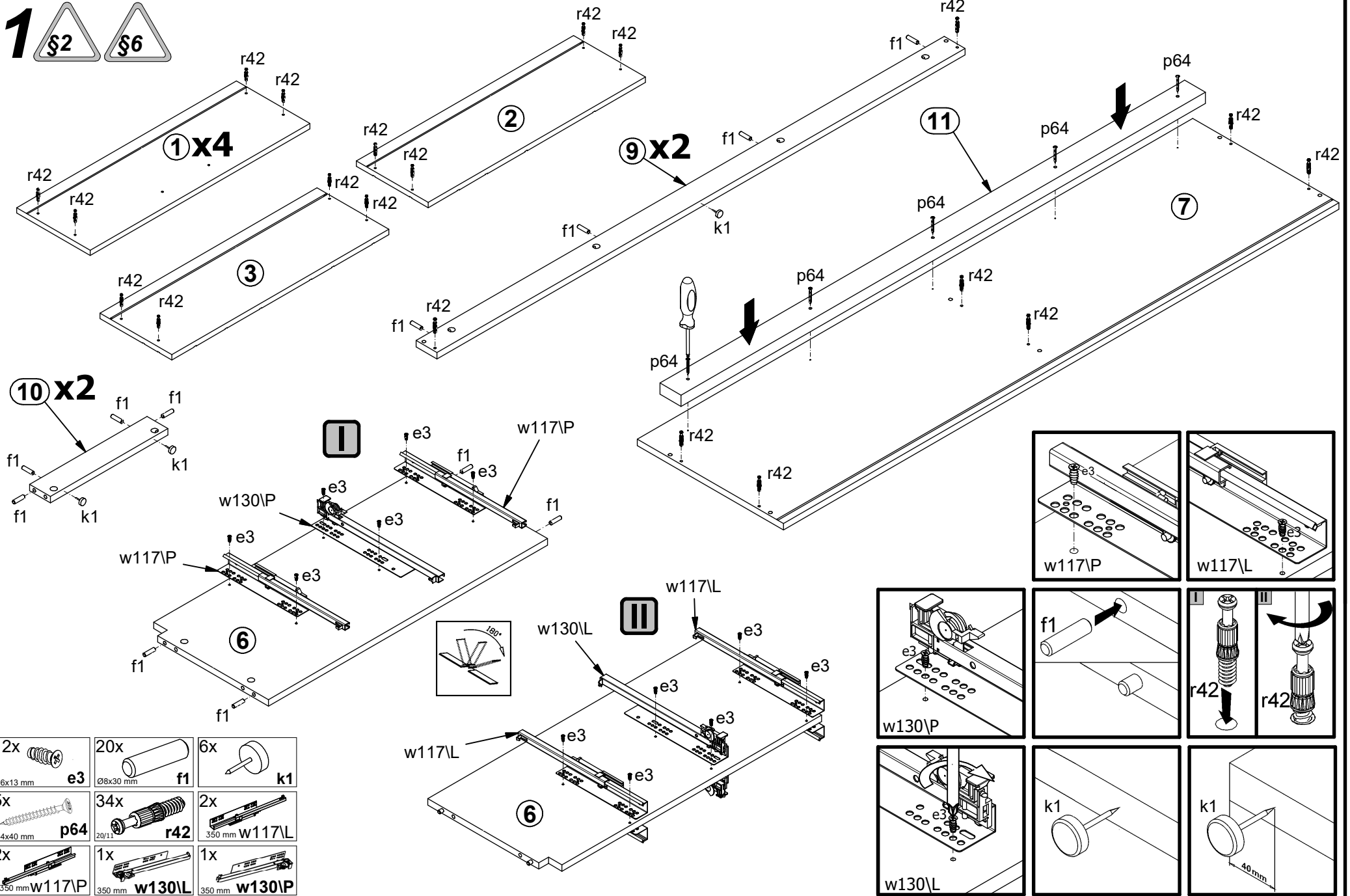


A	B	C (mm)			D
1	S605-0013	758	254	16	3/3
2	S605-0016	749	248	16	3/3
3	S605-0017	749	248	16	3/3
4	S605-1013	802	420	16	1/3
5	S605-1014	802	420	16	1/3
6	S605-1015	802	358	16	1/3
7	S605-2003	1597	420	16	2/3
8	S605-2004	1597	420	16	2/3
9	S605-4003	1517	60	16	2/3
10	S605-4004	338	60	16	2/3
11	S605-4006	1508	60	28	2/3
12	S605-4007	802	60	28	2/3
13	S605-4008	250	45	28	2/3
14	S605-4009	235	45	28	2/3
15	S605-9001	716	357	2,5	2/3
16	S605-9002	716	357	2,5	2/3
17	S605-9304	812	787	2,5	2/3
18	ZQ6-503	350	180	12	1/3
19	ZQ6-504	350	180	12	1/3
20	ZQ6-5349	706	167	15	1/3
21	ZQ7-501	350	180	12	2/3
22	ZQ7-502	350	180	12	2/3



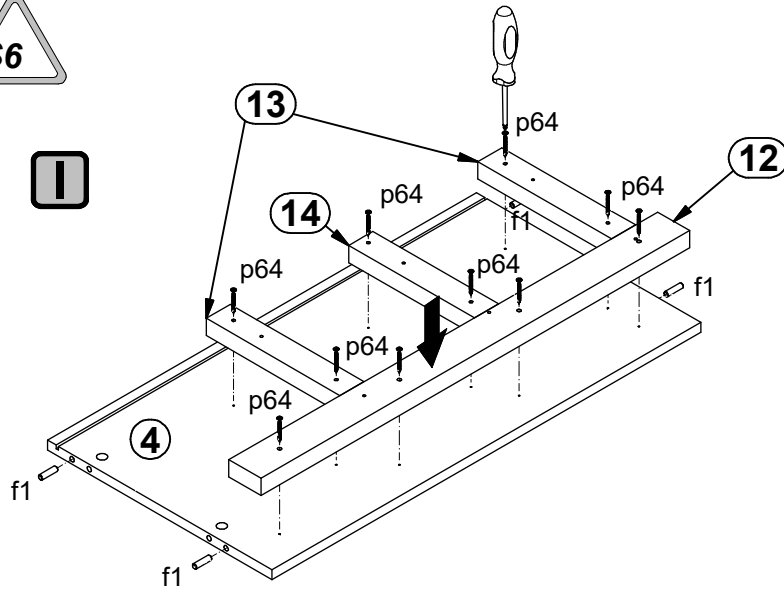
D
1/3

4x c55913	6x Ø7x50 mm e1	24x Ø6x13 mm e3	28x Ø8x30 mm f1	24x Ø6,5x40 mm f25	8x M4x22 mm j30	6x k1	12x l2	1x n26	4x 22x9,5x20,7 mm n108	6x Ø3,5x16 mm p25	1x Ø3,5x16 mm p38	6x Ø3,5x15 mm p51
48x Ø2,9x16 mm p55	30x Ø4x40 mm p64	18x Ø15x12 mm #16 r1	24x Ø12x10,5 mm #12 r15	42x 20/11 r42	6x 350 mm t35	4x 350 mm W117\L	4x 350 mm W117\P	2x 350 mm w130\L	2x 350 mm w130\P	1x 4 mm z1		

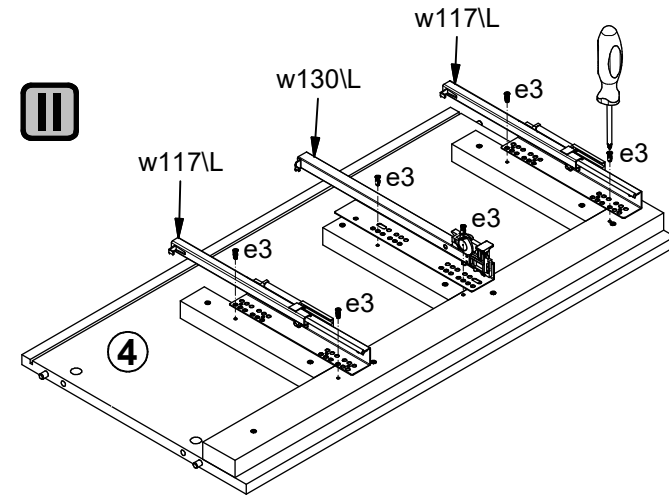


2  

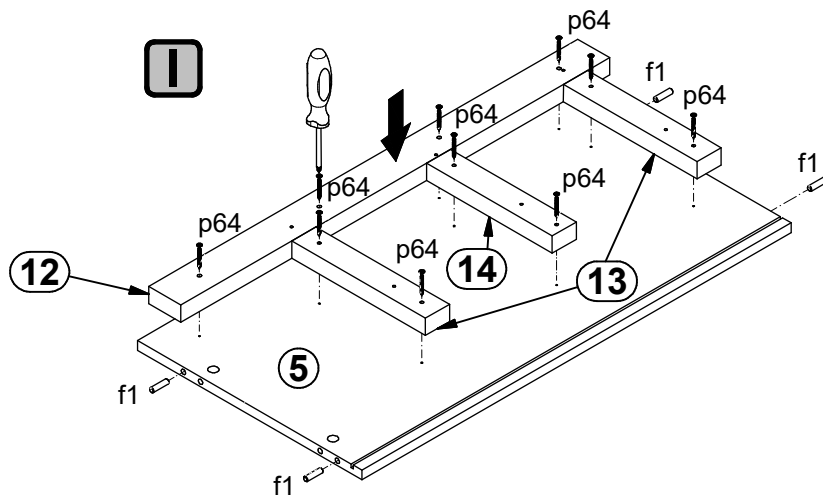
I



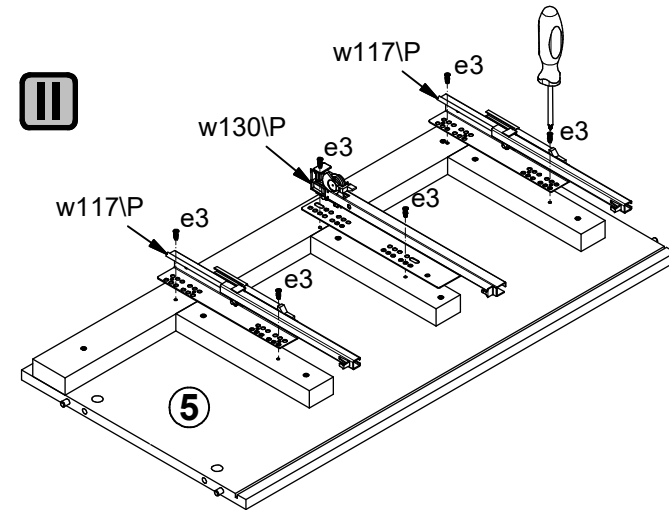
II





I





II





12x  e3
 Ø6x13 mm


8x  f1
 Ø8x30 mm

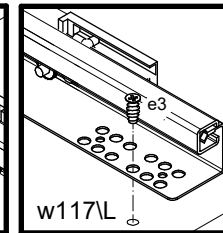
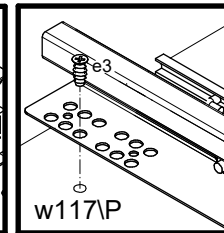
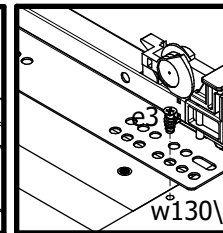
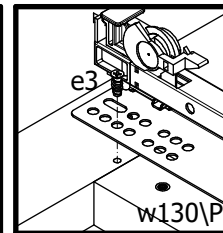
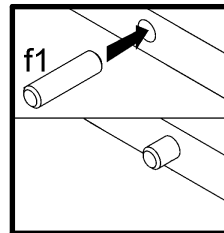
20x  p64
 Ø4x40 mm

2x  350 mm W117\L

2x  350 mm W117\P

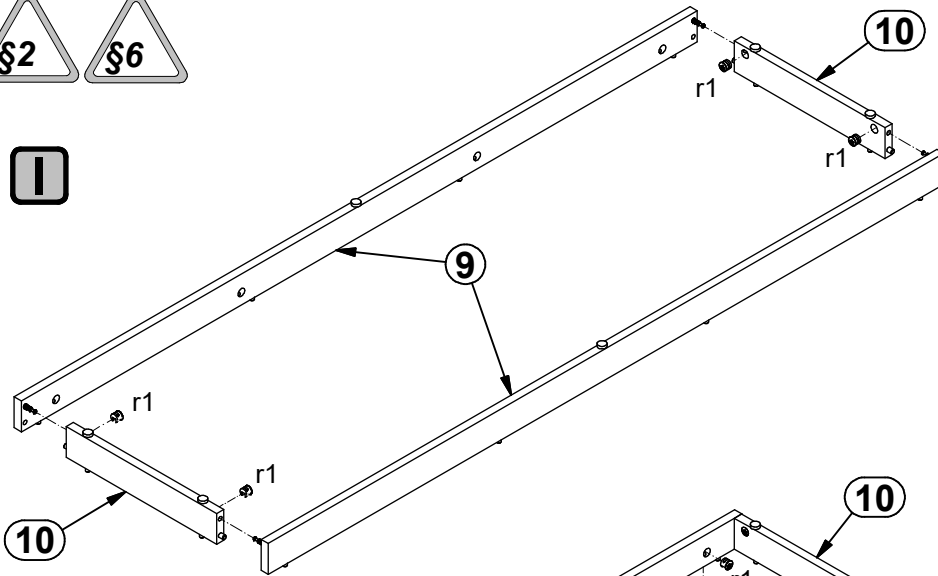
1x  350 mm W130\L

1x  350 mm W130\P

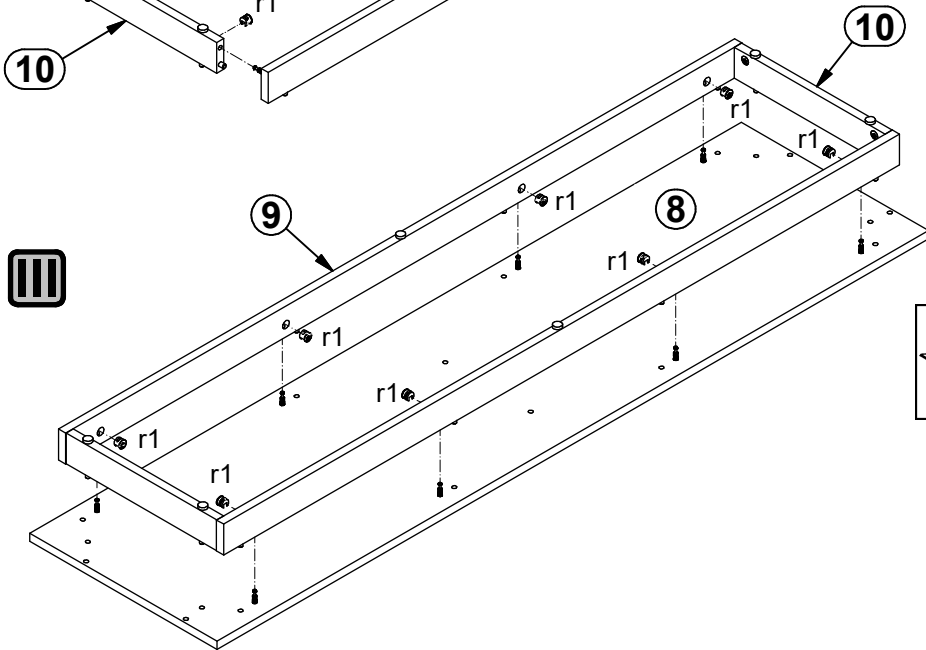


3 §2 §6

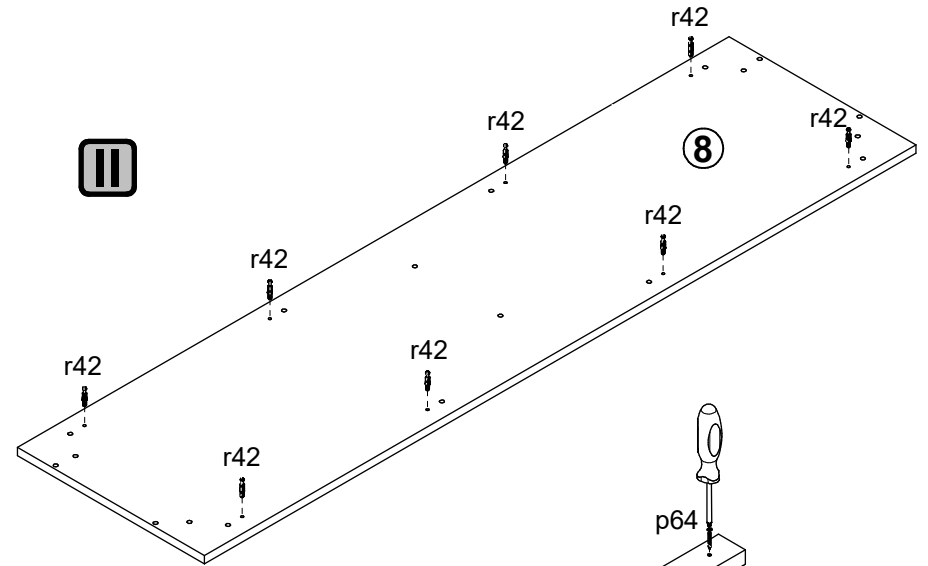
I



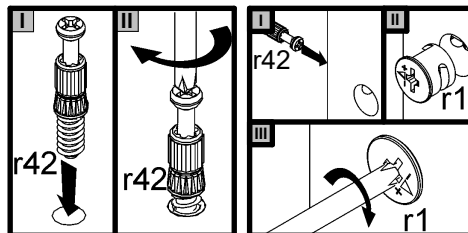
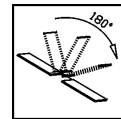
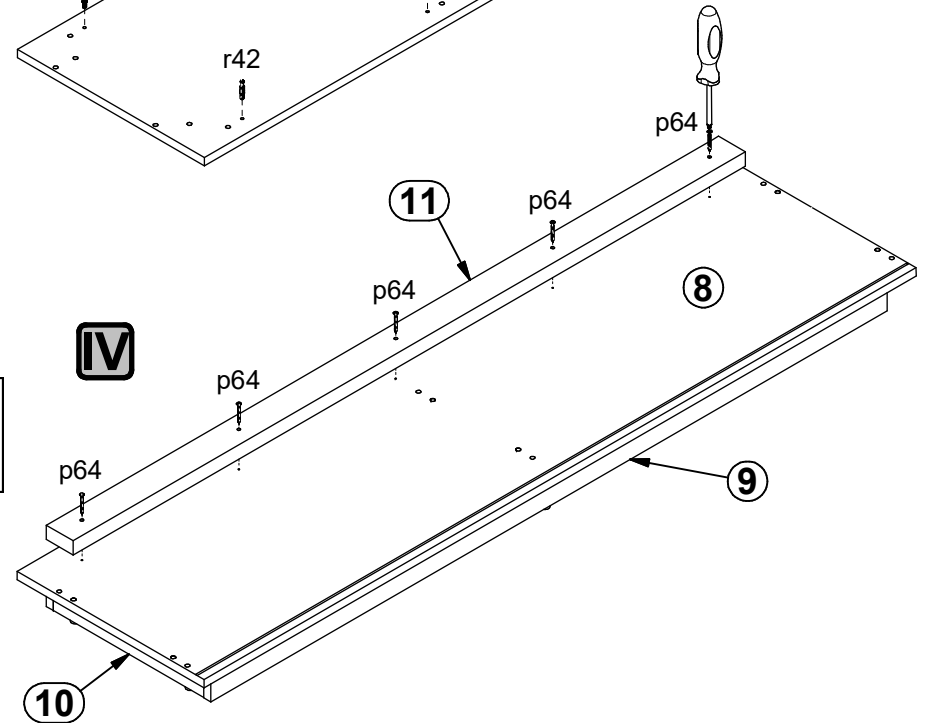
III



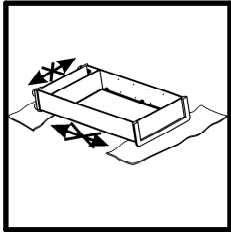
II



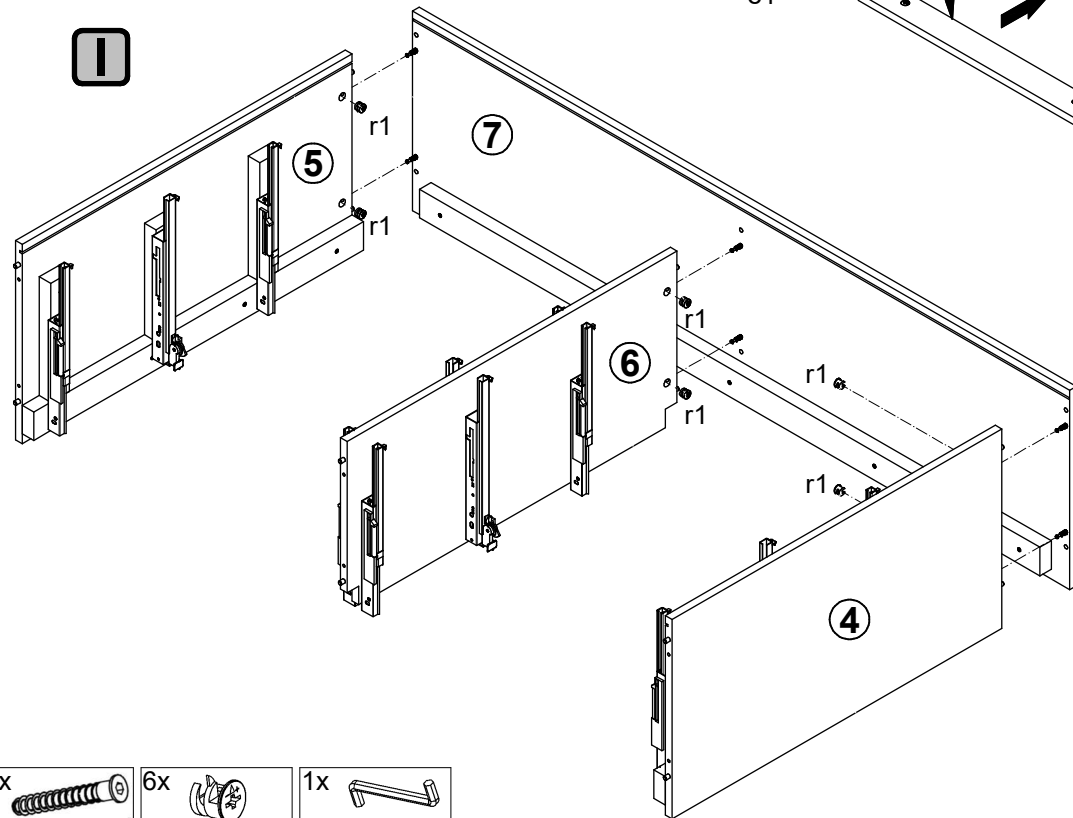
IV



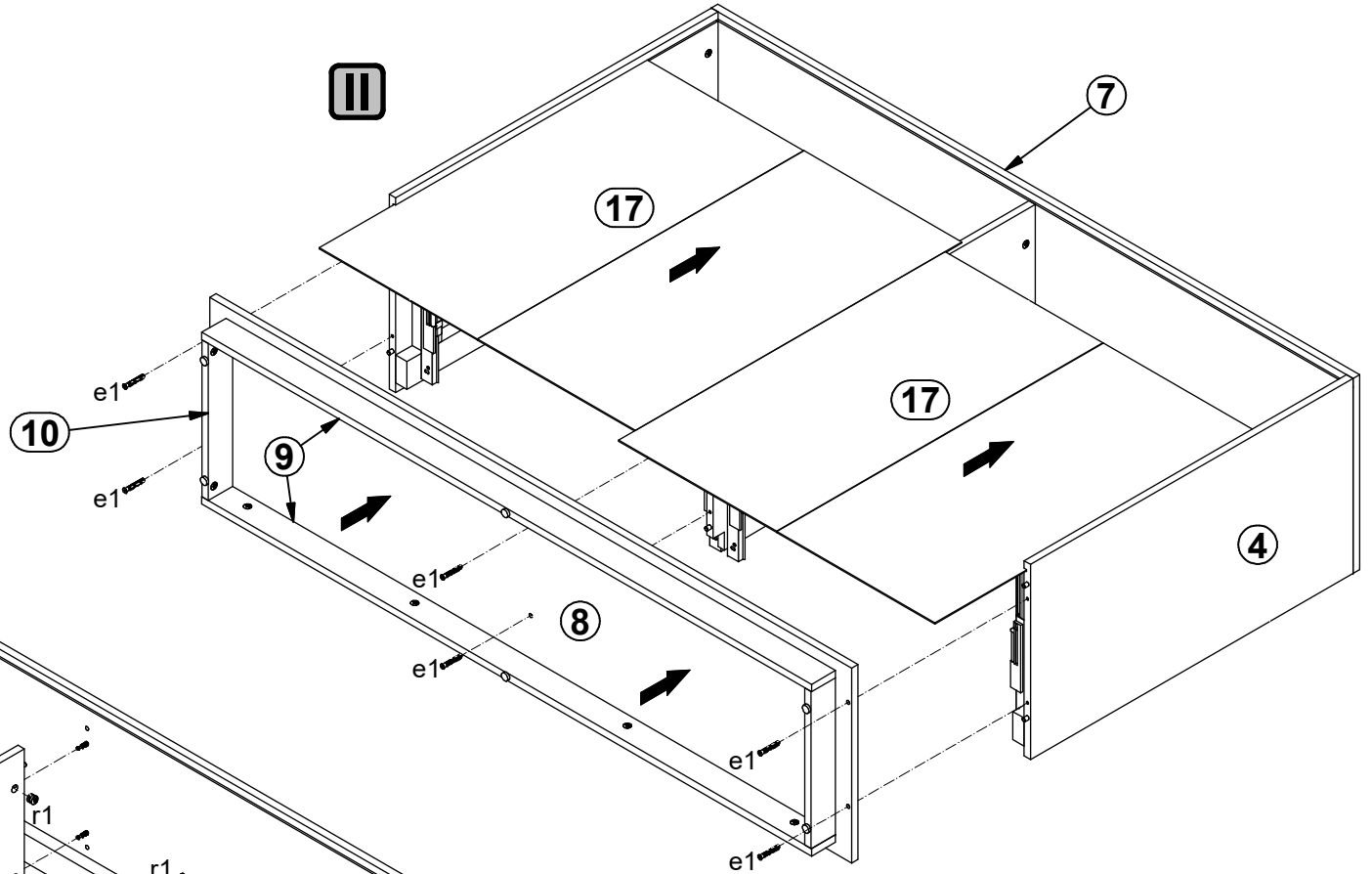
4 

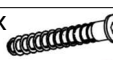




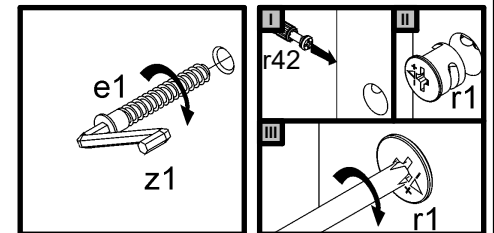
I



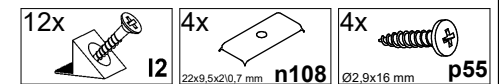
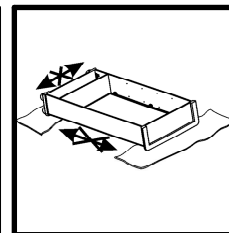
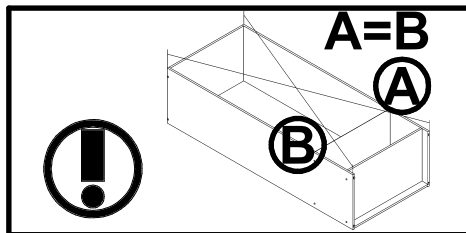
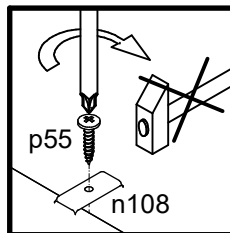
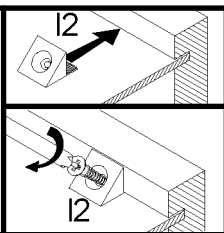
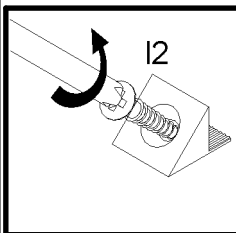
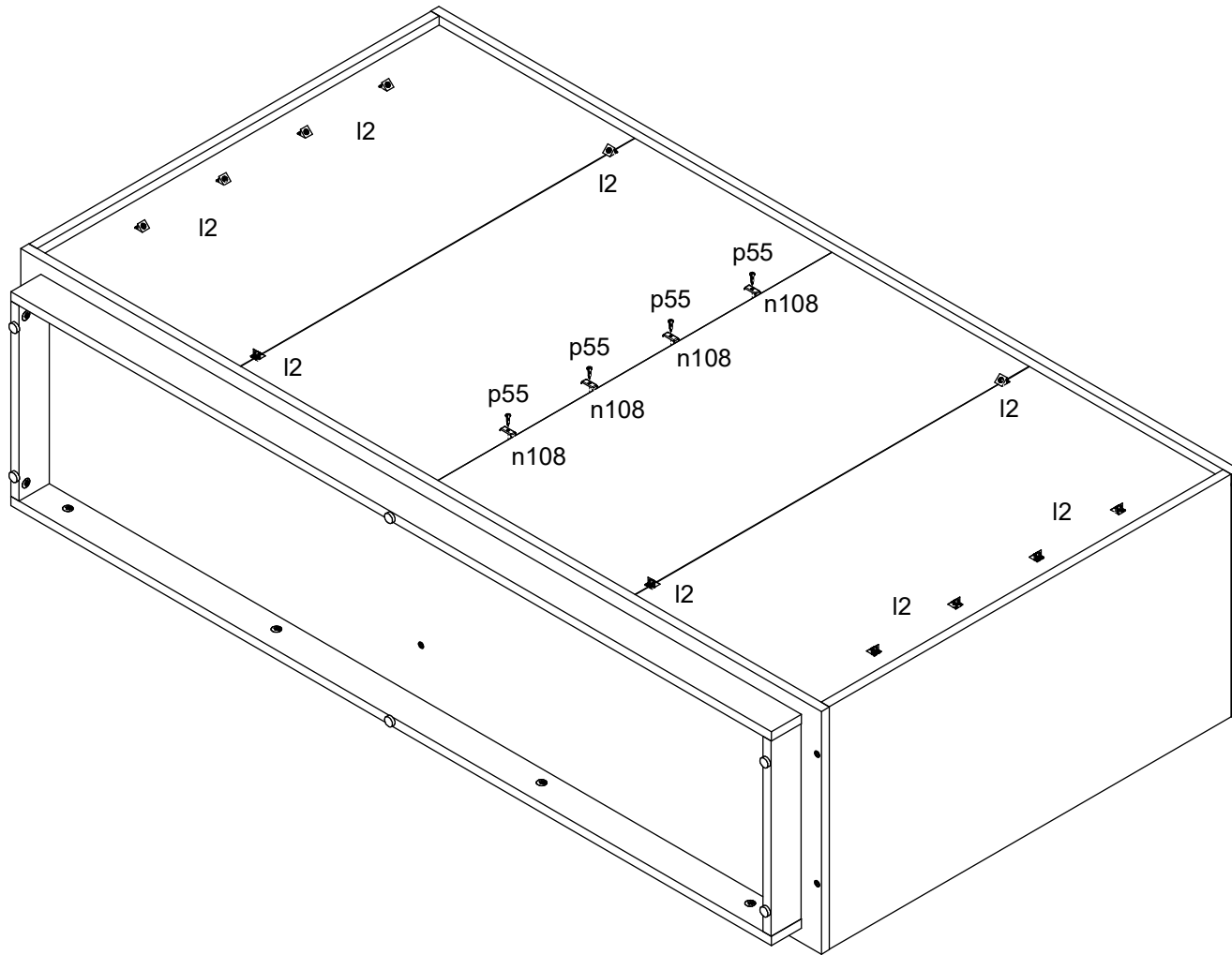
II



- 6x  e1
Ø7x50 mm
- 6x  r1
Ø15x12 mm #16
- 1x  z1
4 mm

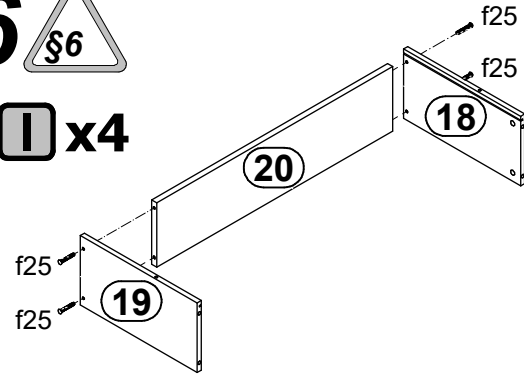


5 

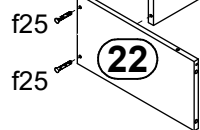
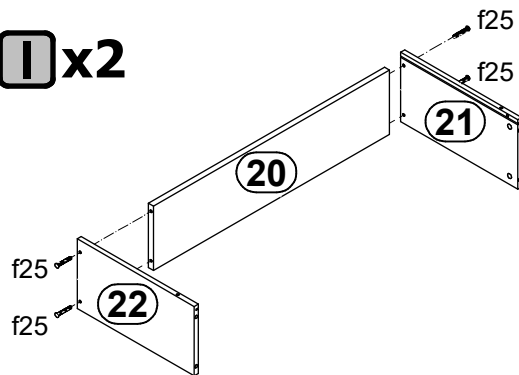


6  §6

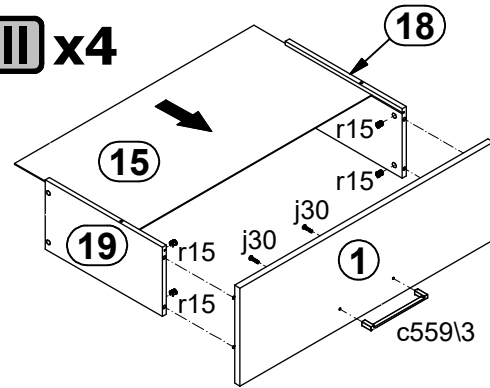
I x4



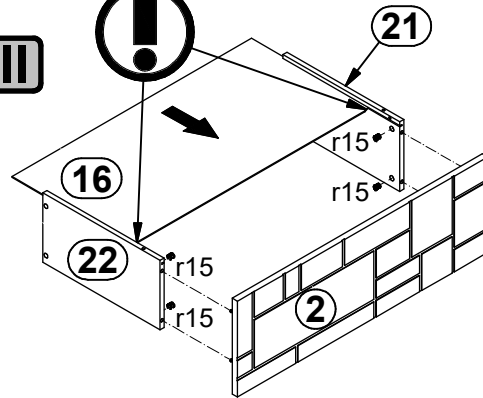
I x2



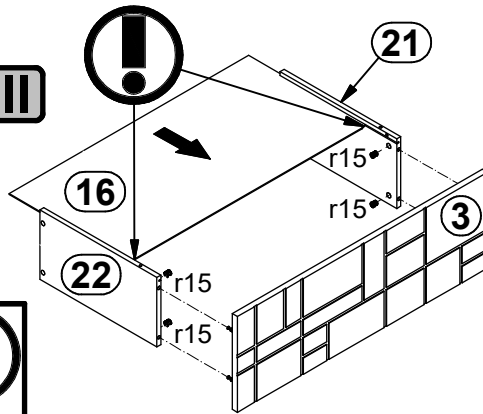
III x4



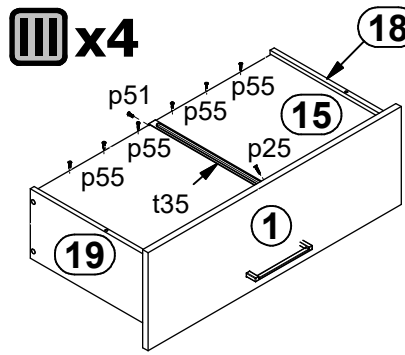
II



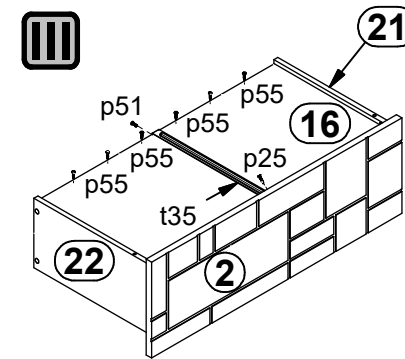
II



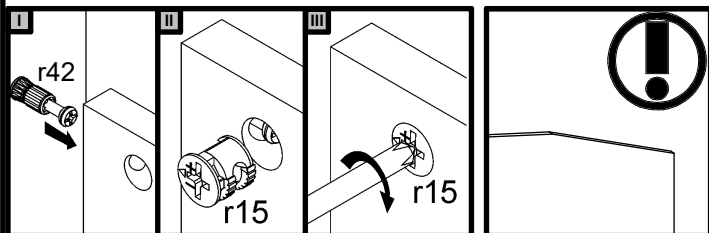
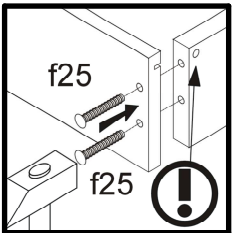
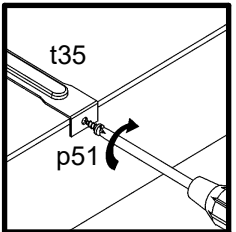
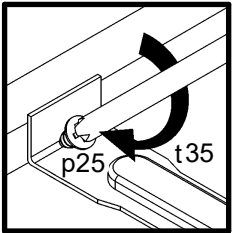
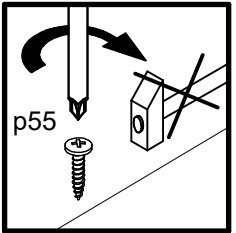
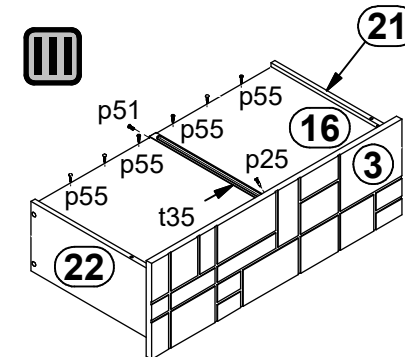
III x4






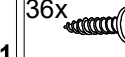
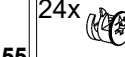
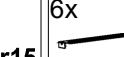


III

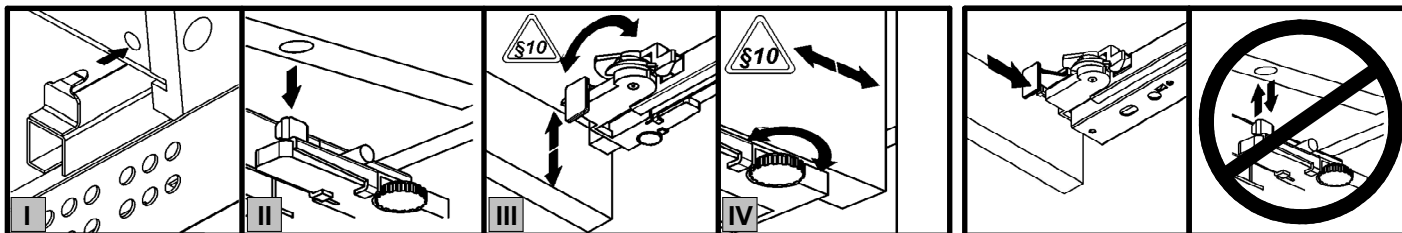
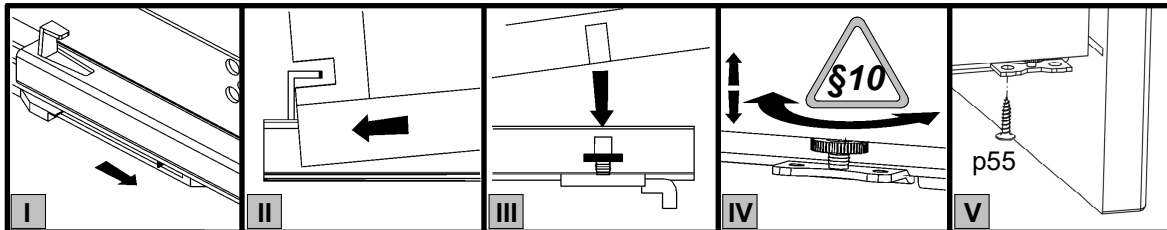
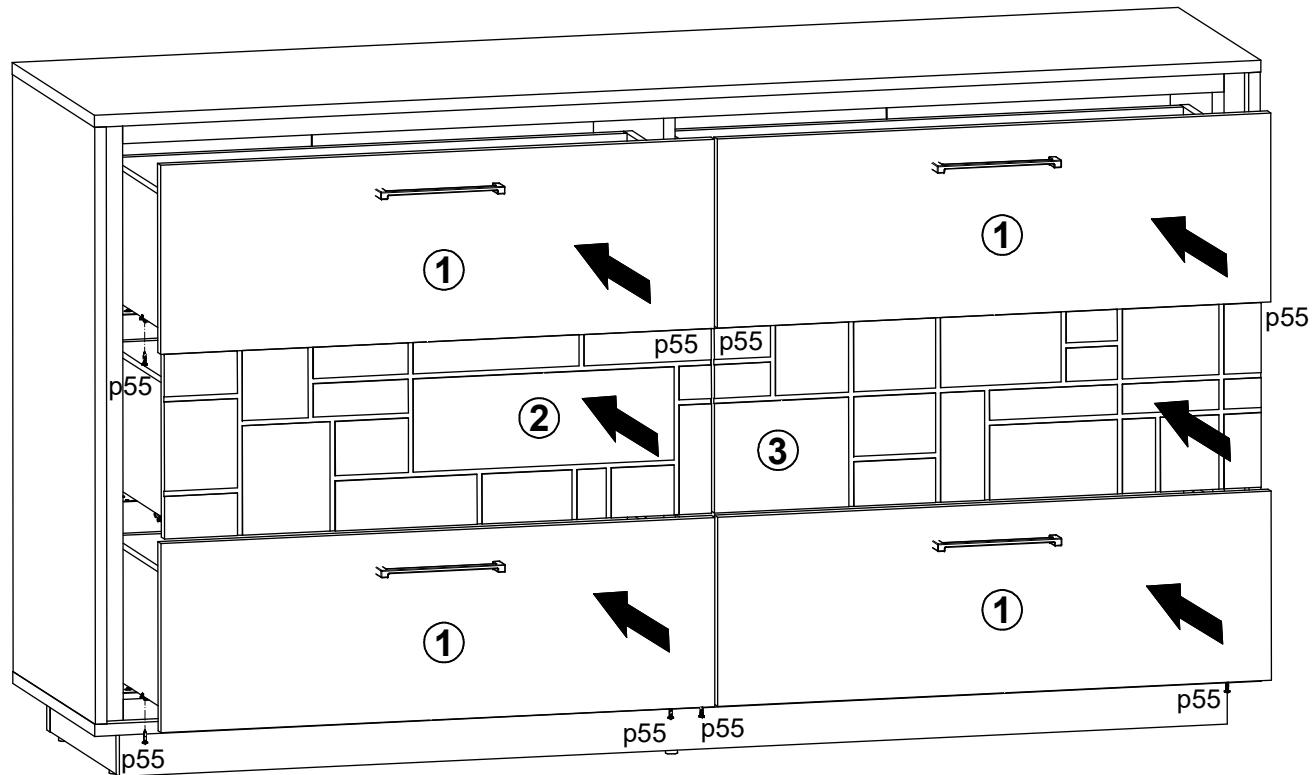
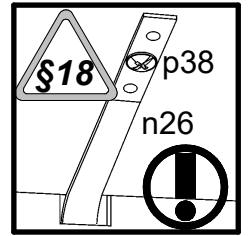


III



4x  c559\3	24x  Ø6,5x40 mm f25	8x  M4x22 mm j30	6x  Ø3,5x16 mm p25	6x  Ø3,5x15 mm p51	36x  Ø2,9x16 mm p55	24x  Ø12x10,5 mm #12 r15	6x  350 mm t35
--	--	---	---	---	--	---	---

7 §6



- 1x

n26
- 1x

p38
Ø3,5x16 mm
- 8x

p55
Ø2,9x16 mm

8

