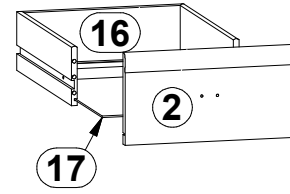
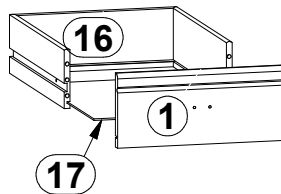
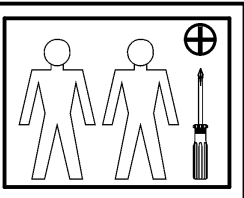
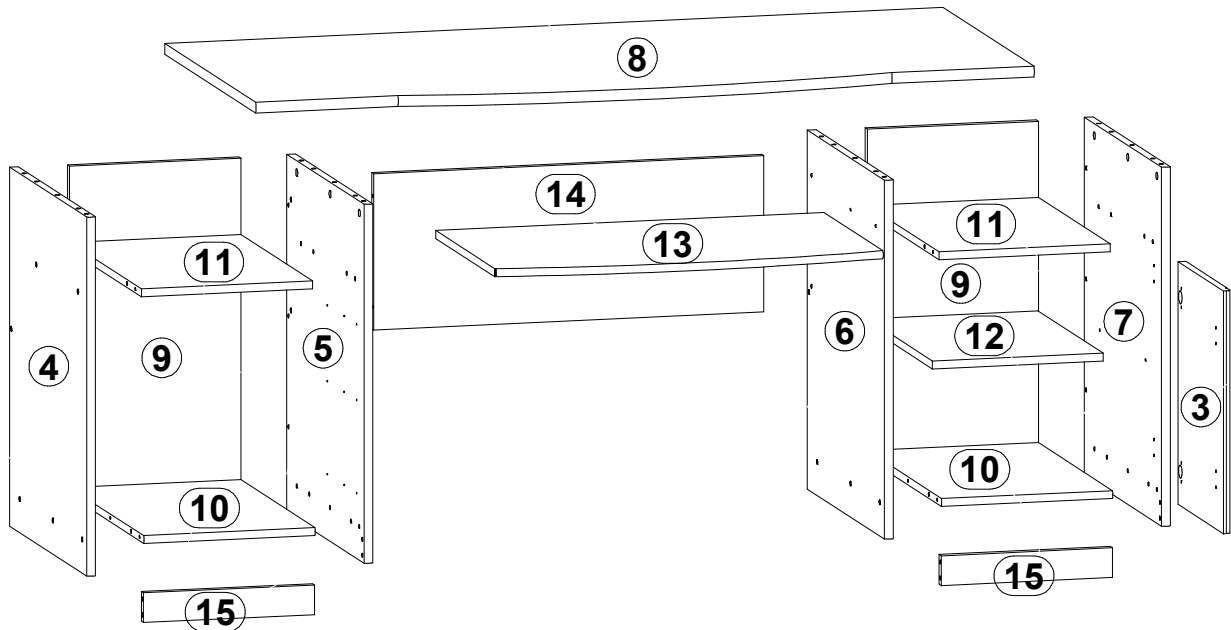
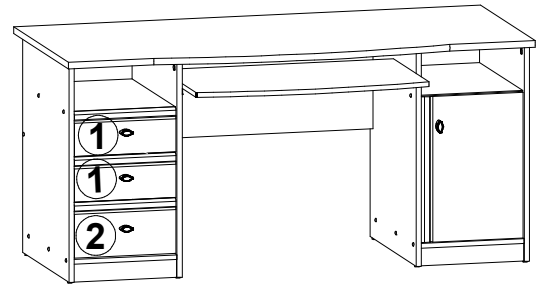
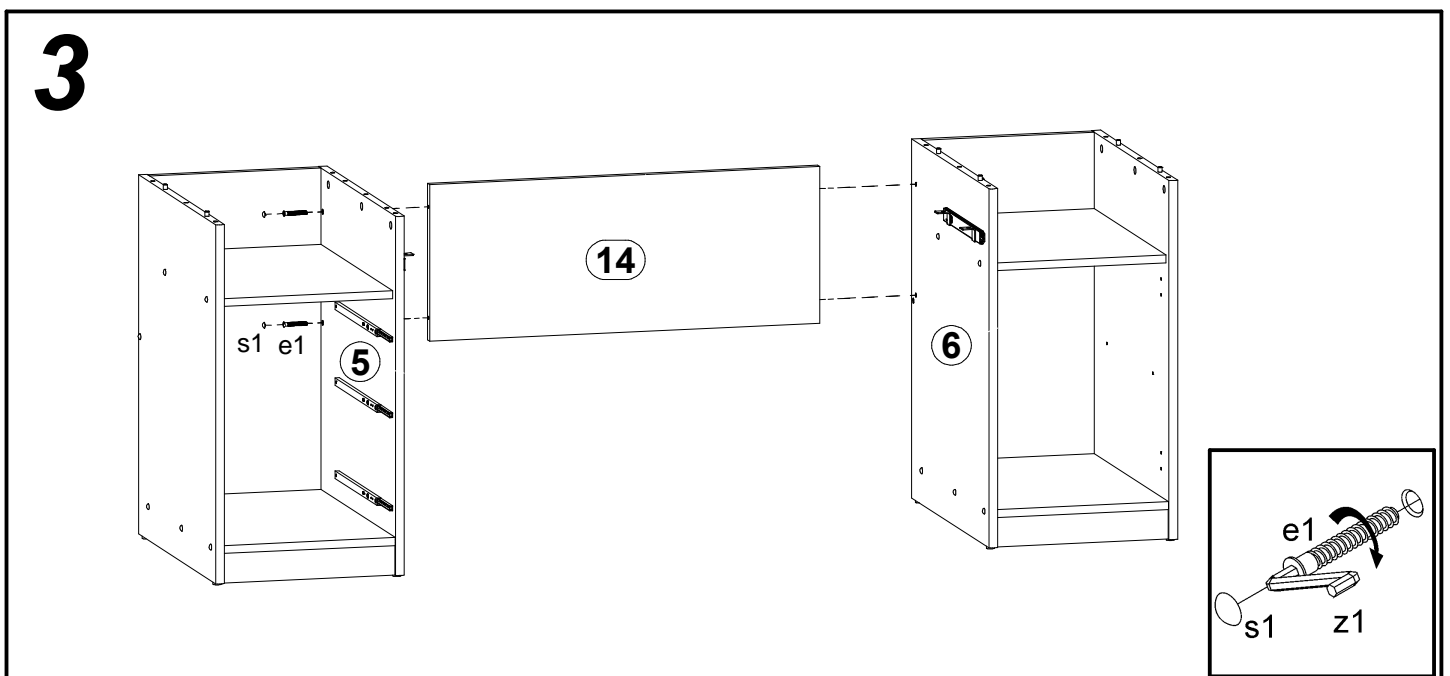
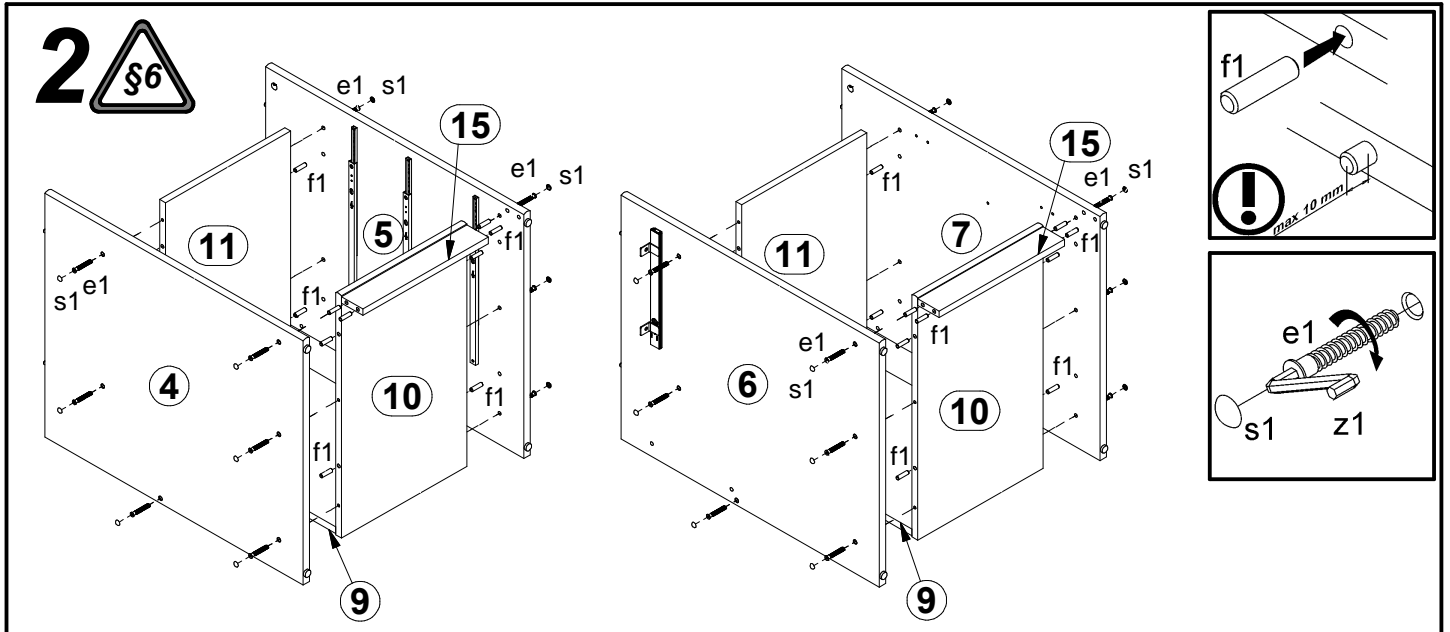
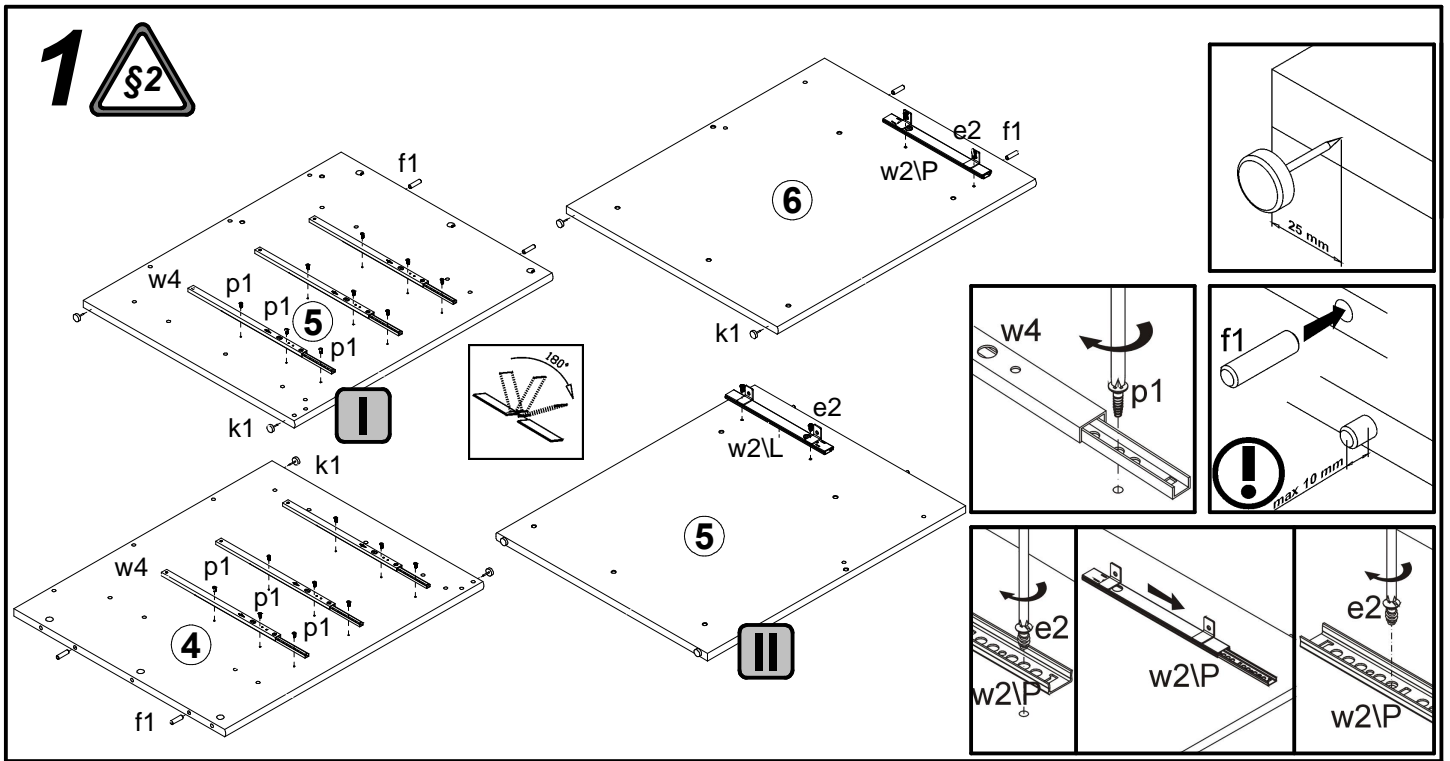


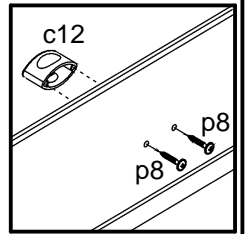
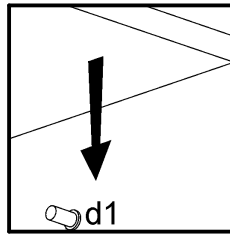
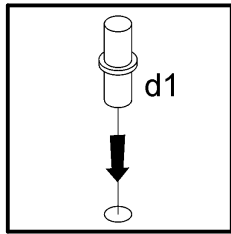
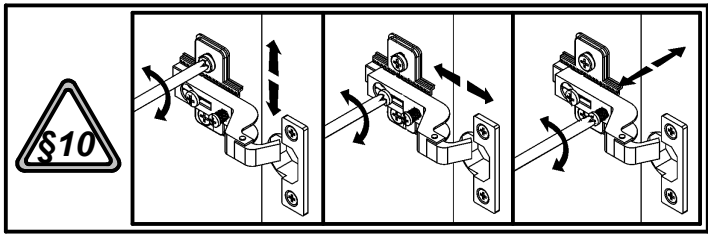
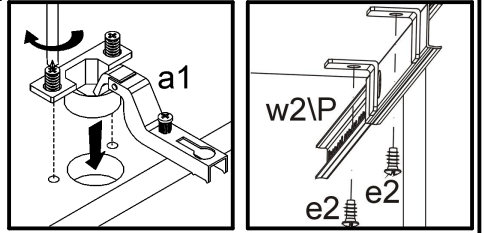
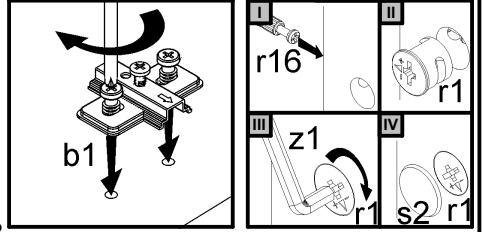
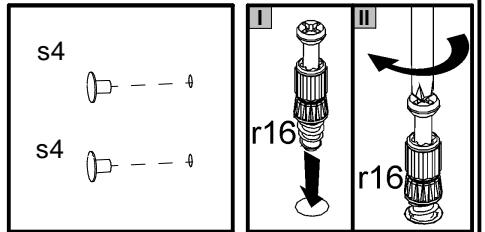
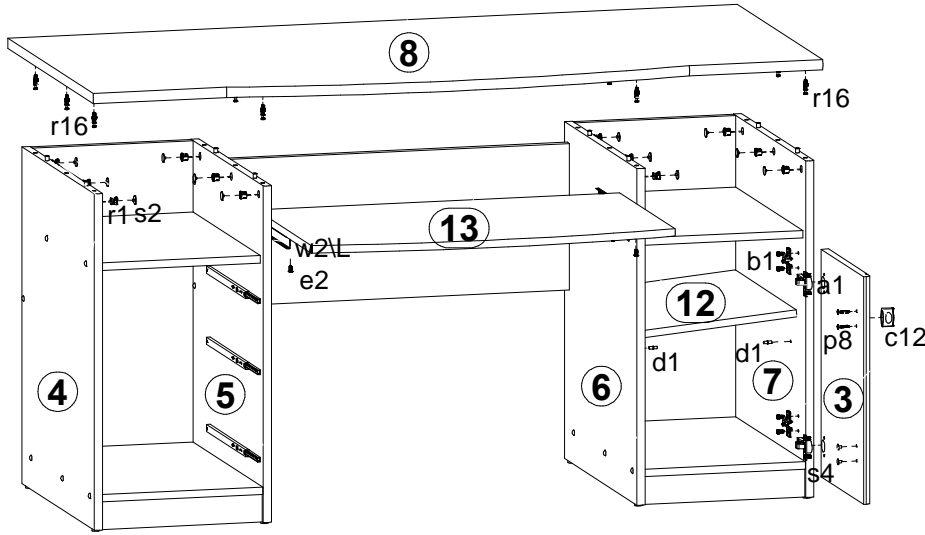
A	B	C	D	
1	SK1-013	348	150	2/3
2	SK1-020	348	185	2/3
3	SK1-026	490	348	2/3
4	SK1-164	725	595	3/3
5	SK1-165	725	595	3/3
6	SK1-166	725	595	3/3
7	SK1-167	725	595	3/3
8	SK1-217	1600	750	1/3
9	SK1-346	649	352	2/3
10	SK1-356	352	590	3/3
11	SK1-357	352	550	3/3
12	SK1-359	351	500	2/3
13	SK1-360	798	490	2/3
14	SK1-363	802	316	2/3
15	SK1-401	352	60	2/3
16	SK1-506	1185	120	2/3
17	SK1-967	420	331	2/3



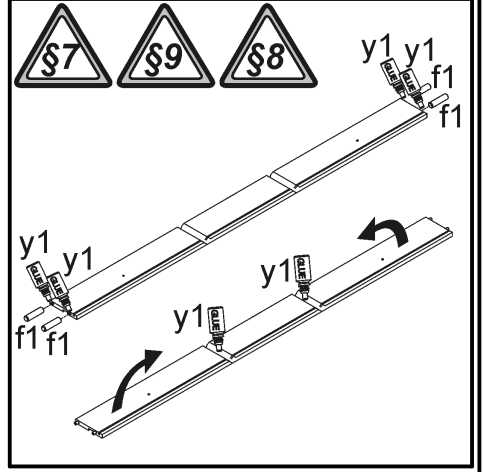
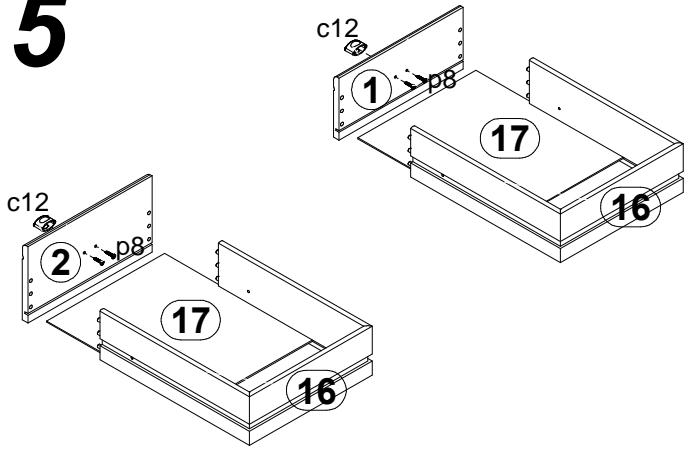
2x a1	2x b1	4x c12	4x d1 φ5x17 mm	28x e1 φ7x50 mm	8x e2 φ6,3x13 mm	58x f1 φ8x30 mm	6x j2 M4x9 mm	8x k1
18x p1 φ3,5x13 mm	8x p8 φ4x25 mm	12x r1 φ1,5x12mm #16	12x r16	28x s1	12x s2 φ16	2x s4 φ5	1x w2/L	1x w2/P
6x w4 310 mm	1x y1 GLUE	1x z1						



4



5



6

