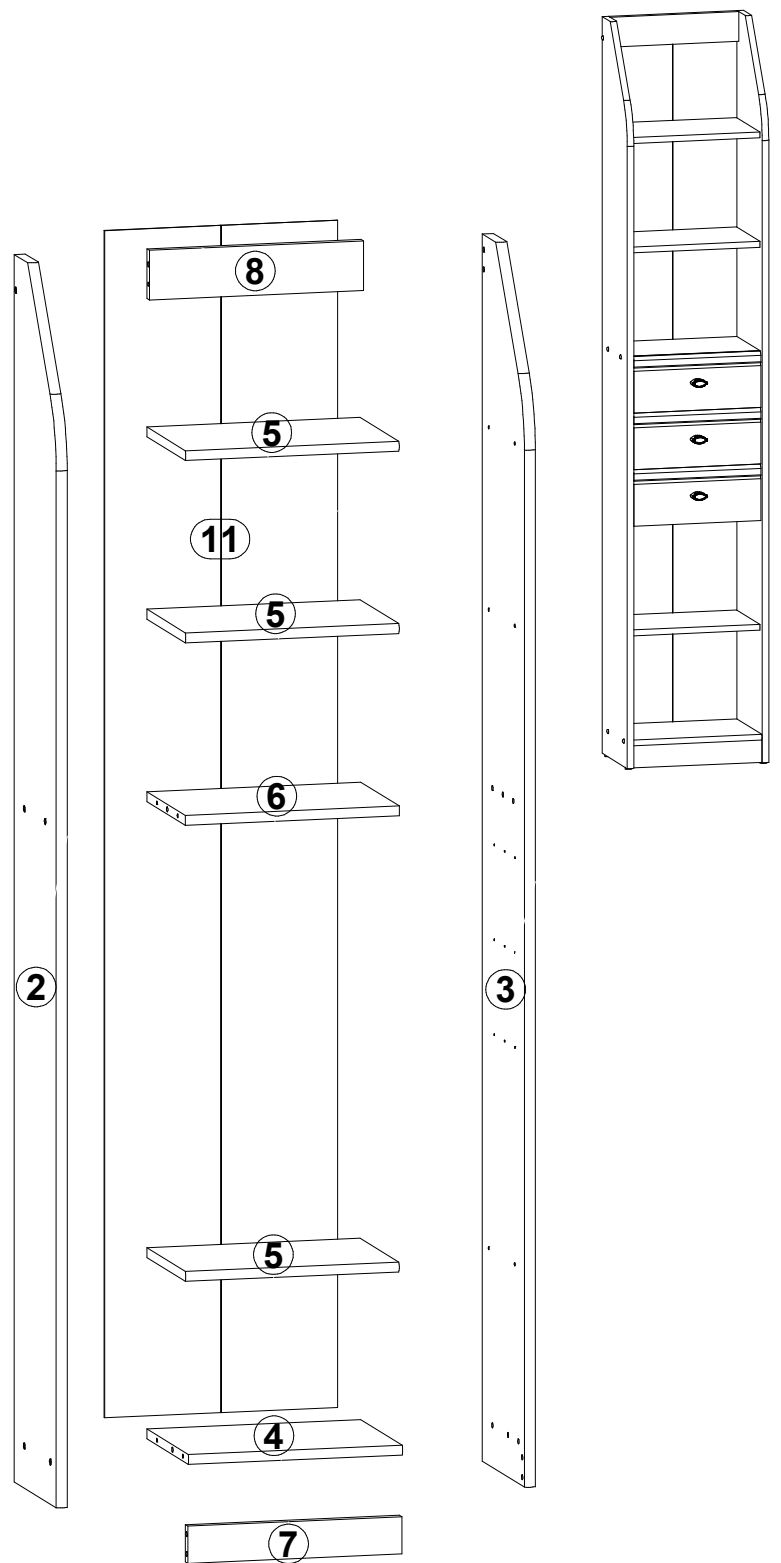
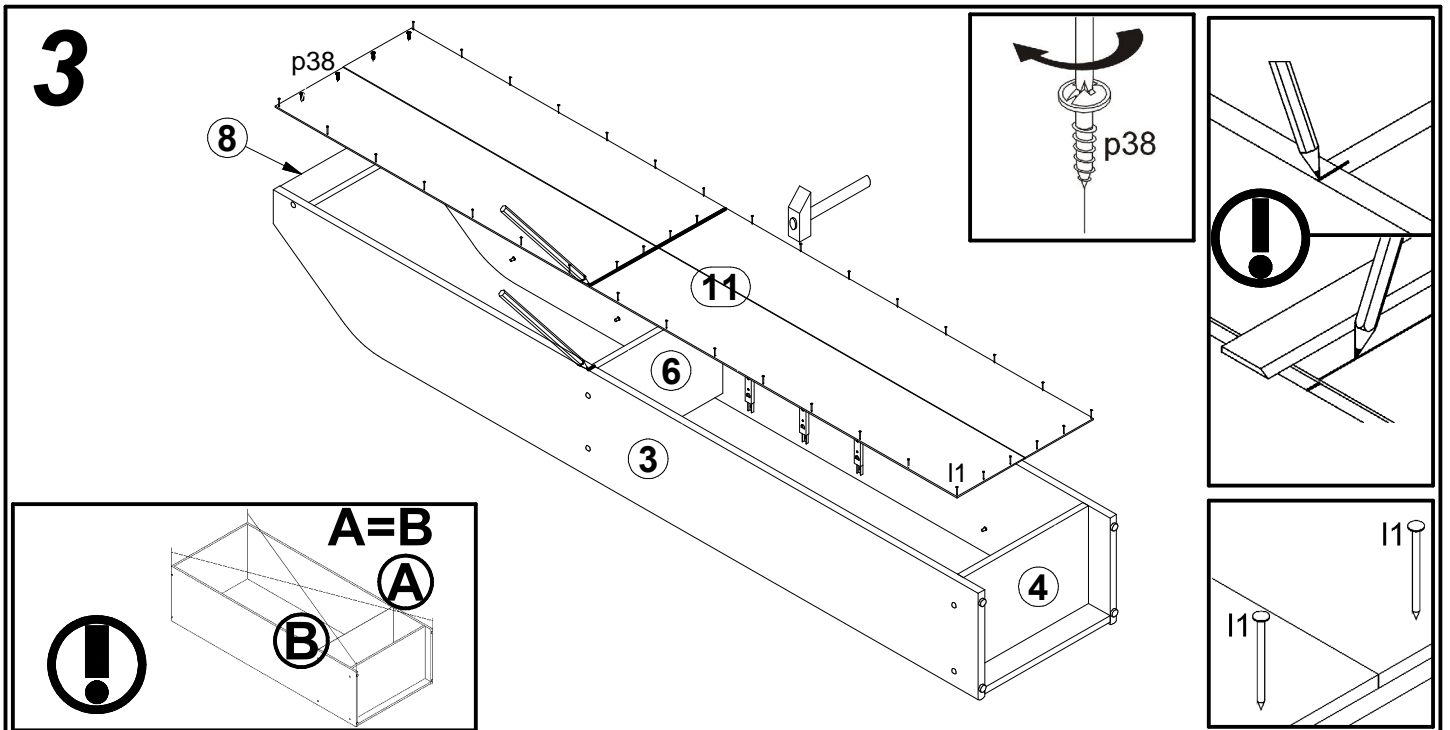
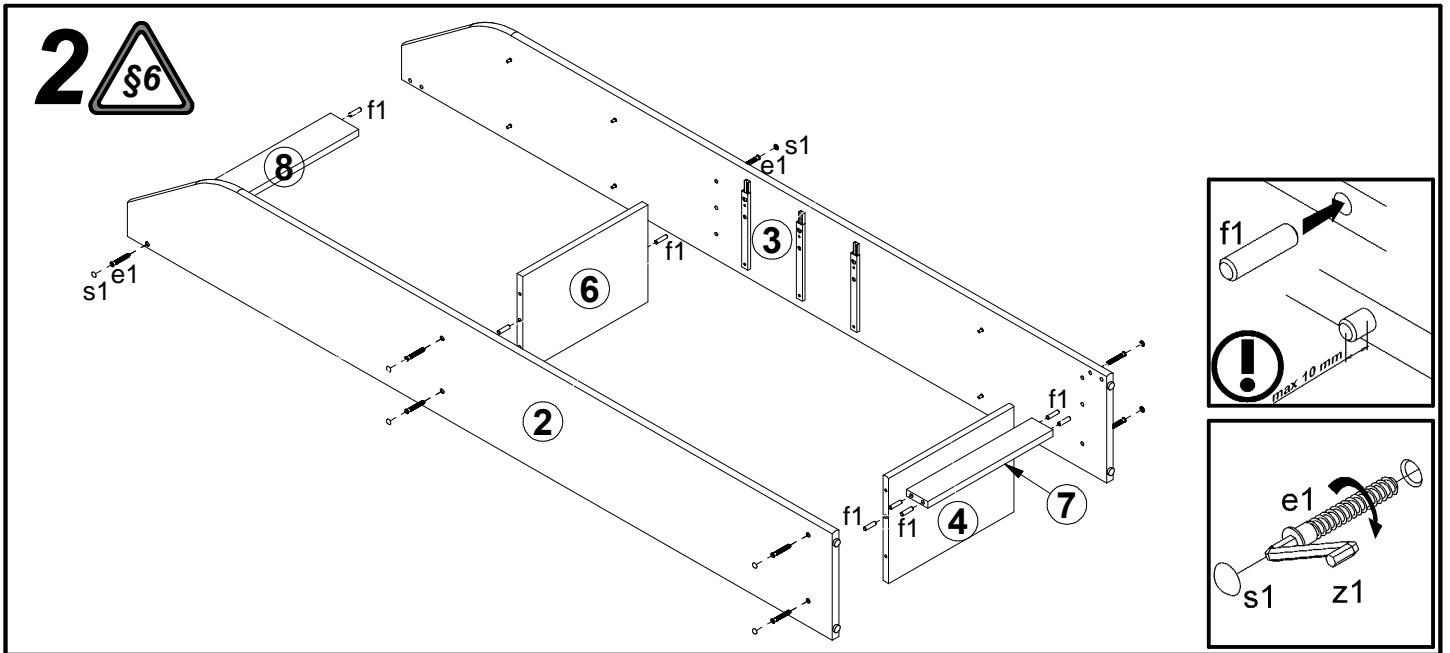
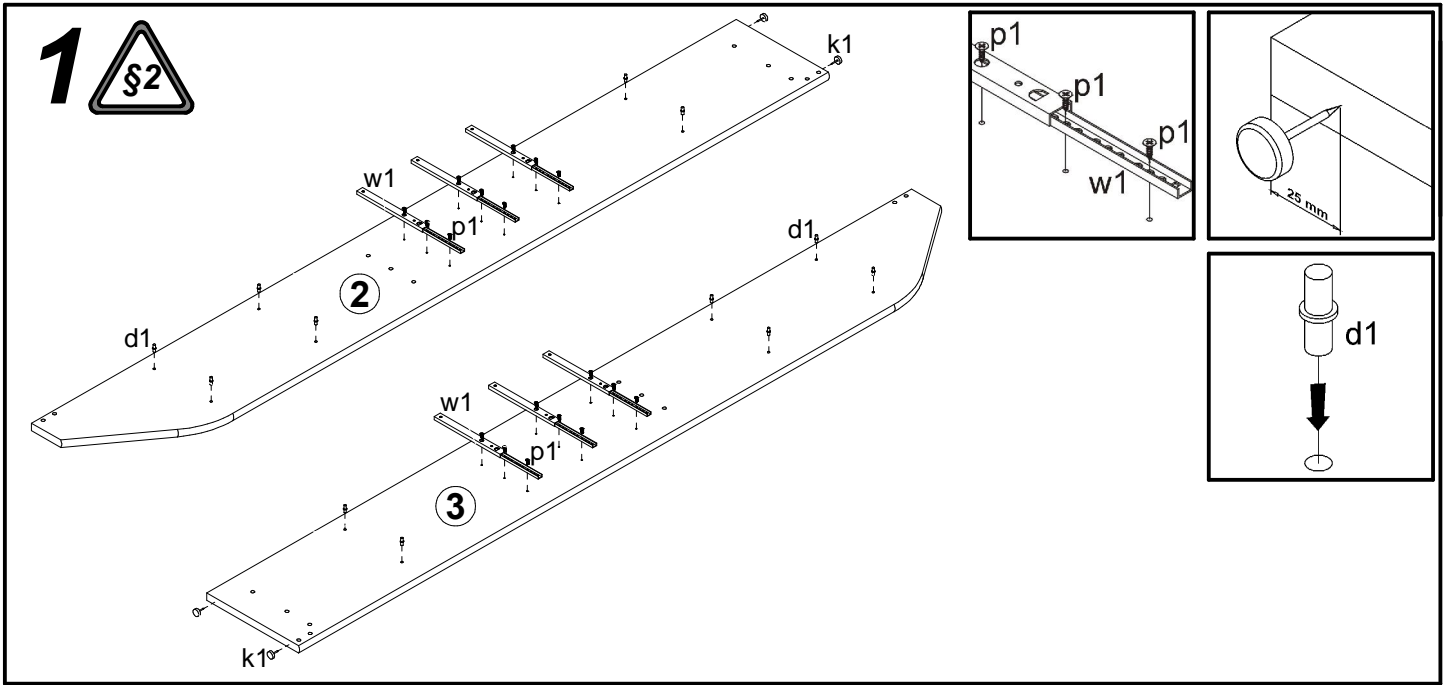


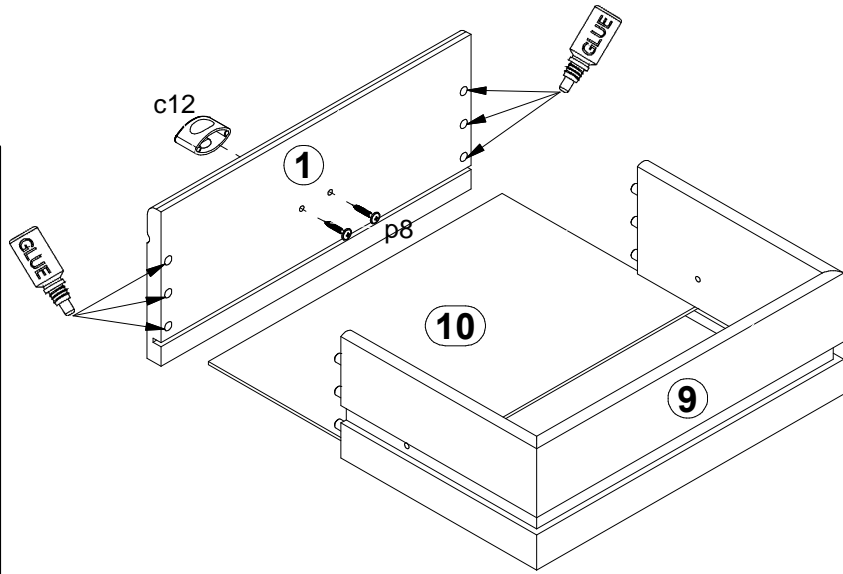
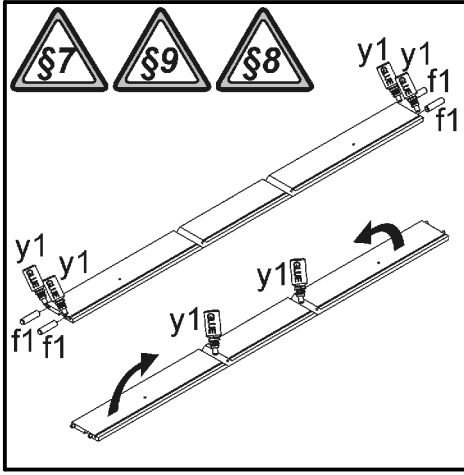
| A  | B        | C    | D   |
|----|----------|------|-----|
| 1  | SK1-013  | 348  | 150 |
| 2  | SK1-120  | 1980 | 261 |
| 3  | SK1-121  | 1980 | 261 |
| 4  | SK1-301  | 352  | 257 |
| 5  | SK1-302  | 351  | 240 |
| 6  | SK1-319  | 352  | 236 |
| 7  | SK1-401  | 352  | 60  |
| 8  | SK1-404  | 352  | 80  |
| 9  | SK1-512  | 785  | 120 |
| 10 | SK1-963  | 330  | 220 |
| 11 | SK1-9910 | 1915 | 383 |



|                             |                              |                              |                              |                |           |                                |                                |                                |
|-----------------------------|------------------------------|------------------------------|------------------------------|----------------|-----------|--------------------------------|--------------------------------|--------------------------------|
| 3x  c12                     | 12x $\phi 5 \times 17$ mm d1 | 10x $\phi 7 \times 50$ mm e1 | 28x $\phi 8 \times 30$ mm f1 | 6x  M4x9 mm j2 | 4x  k1    | 40x  l1                        | 18x $\phi 3,5 \times 13$ mm p1 | 4x $\phi 3,5 \times 16$ mm p38 |
| 6x $\phi 4 \times 25$ mm p8 | 10x  s1                      | 6x  185 mm w1                | 1x  GLUE y1                  | 1x  z1         | 1x  n26/1 | 1x $\phi 3,5 \times 16$ mm p38 |                                |                                |



# 5



# 6

