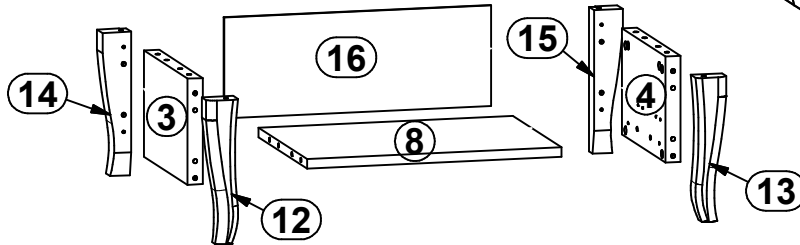
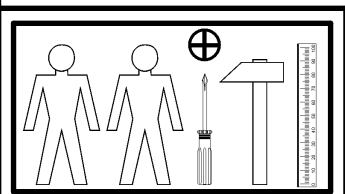
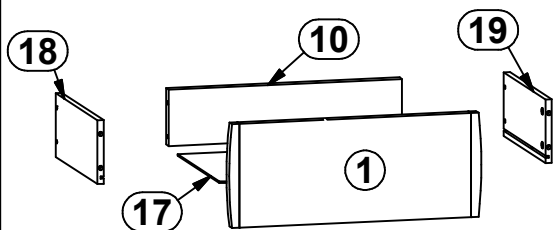
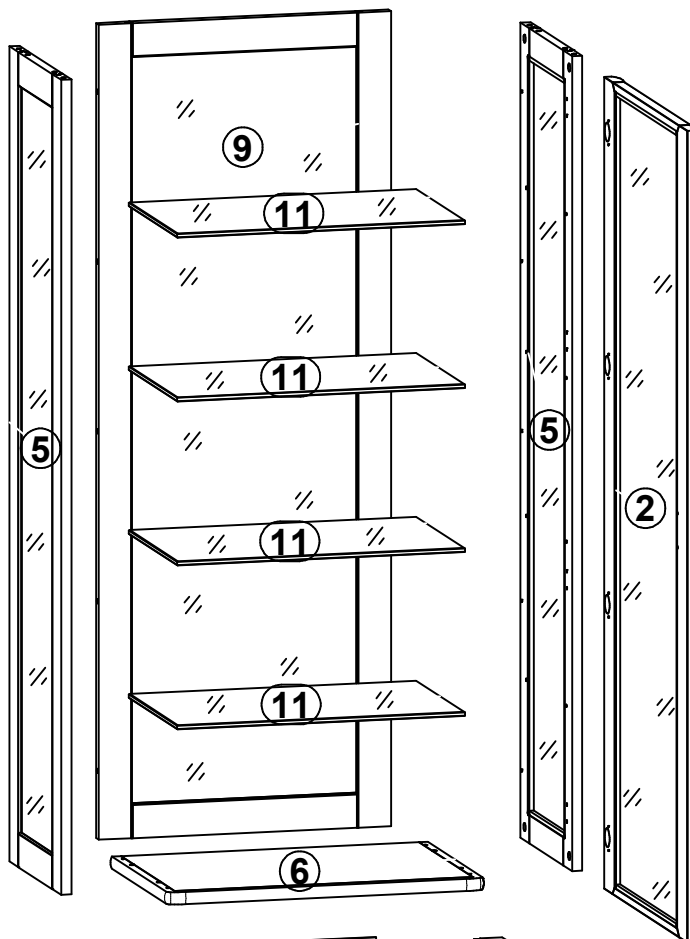
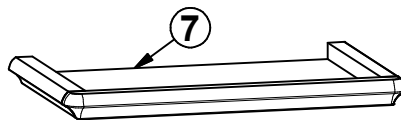
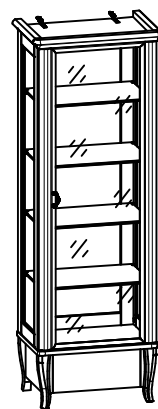
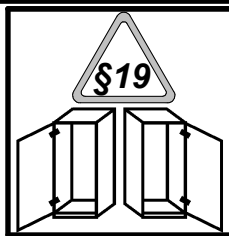


# ORLAND

# S71-REG1W1S160

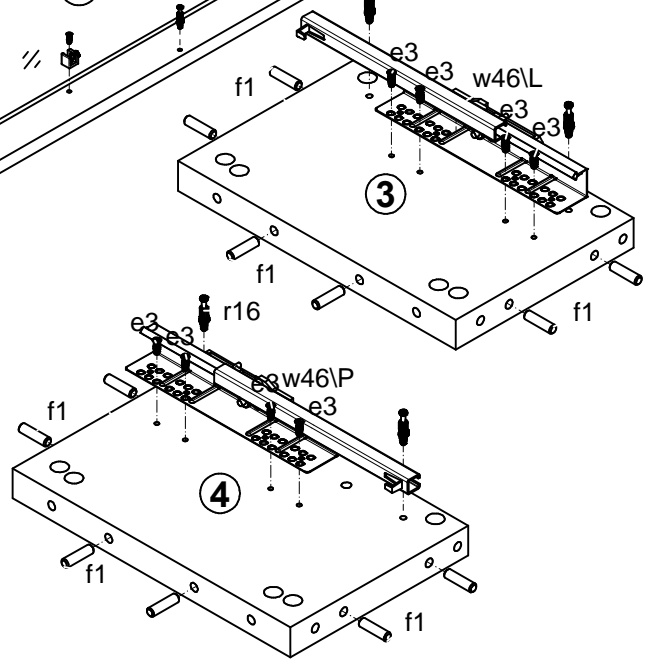
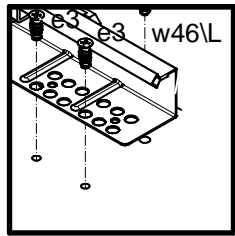
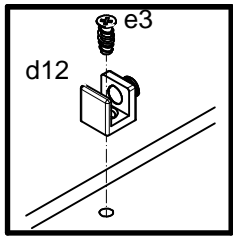
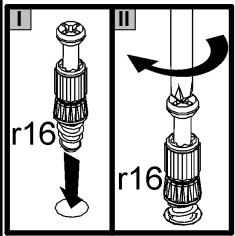
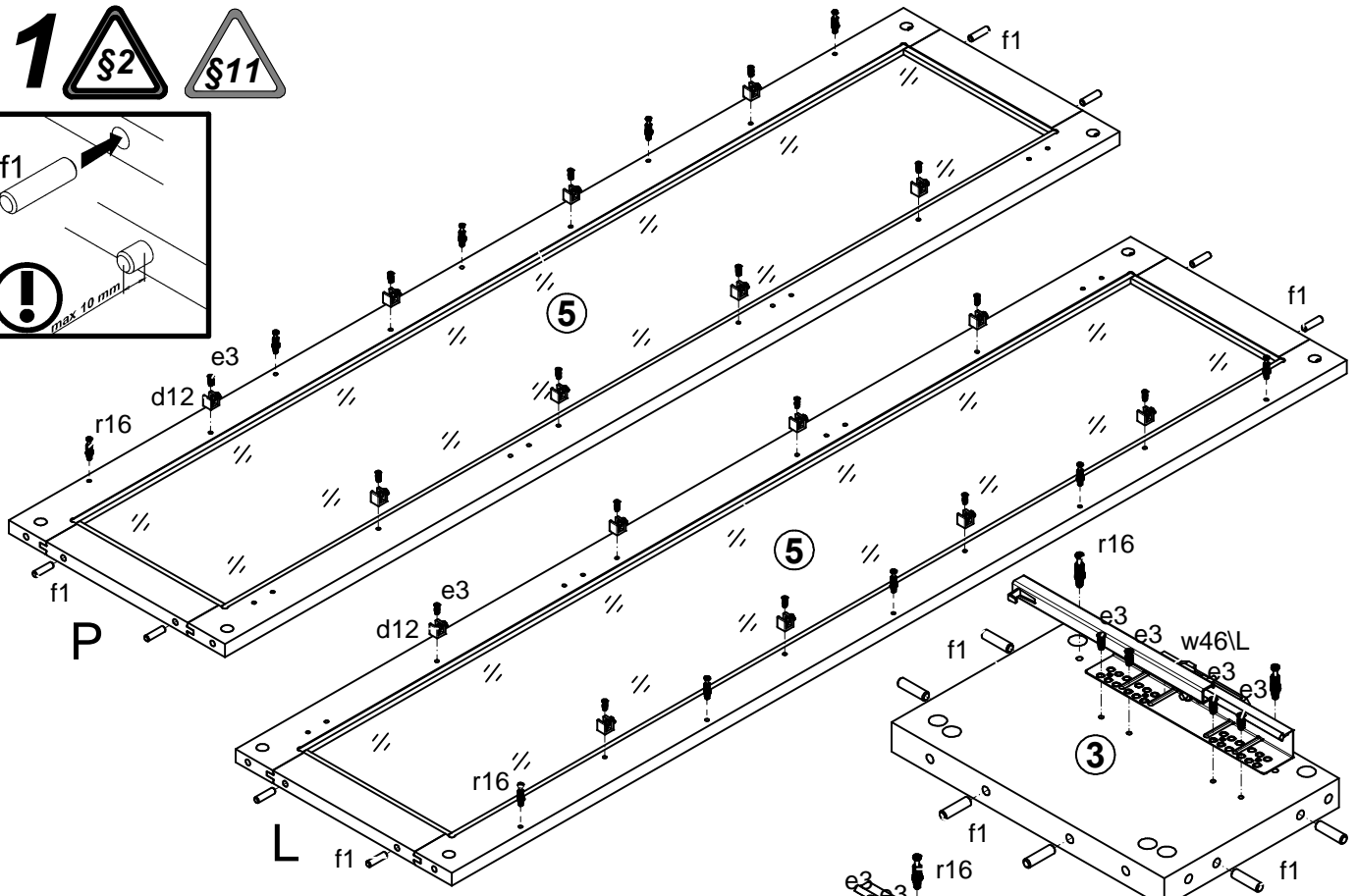
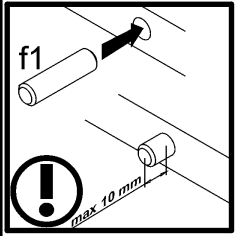
A	B	C	D	
1	S71-023	484	196	7/7
2	S71-024	1530	596	6/7
3	S71-127	200	312	3/7
4	S71-128	200	312	3/7
5	S71-129	1536	371	1/7
6	S71-216	612	404	3/7
7	S71-217	657	425	3/7
8	S71-322	488	348	3/7
9	S71-408	1536	561	2/7
10	S71-517	448	106	3/7
11	S71-554	552	346	5/7
12	S71-571	272	60	4/7
13	S71-572	272	60	4/7
14	S71-573	272	55	4/7
15	S71-574	272	55	4/7
16	S71-934	190	512	3/7
17	S71-936	459	306	3/7
18	ZS1-3507	300	120	3/7
19	ZS1-3508	300	120	3/7



4x a29	4x b13	1x c227 64 mm	16x d12	8x e2 φ6,3x13 mm	24x e3 φ6x13 mm	28x f1 φ8x30 mm	4x f25 φ6,5x40 mm	2x f35 φ10x50 mm
2x j118 M4x30 mm	15x l1	2x n14 81x21x151,5mm	2x p17 φ5x60 mm	9x p38 φ3,5x16 mm	8x p51 φ3,5x15 mm	34x r1 φ1,5x12mm #16	4x r15 φ12x10,5mm #12	38x r16
8x s2 ø16	1x w46\L 300 mm	1x w46\P 300 mm						

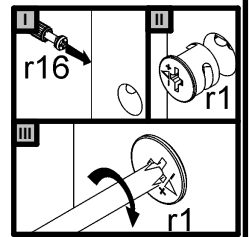
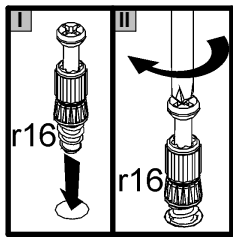
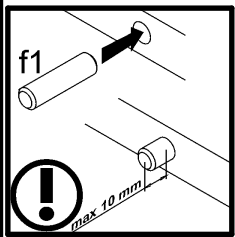
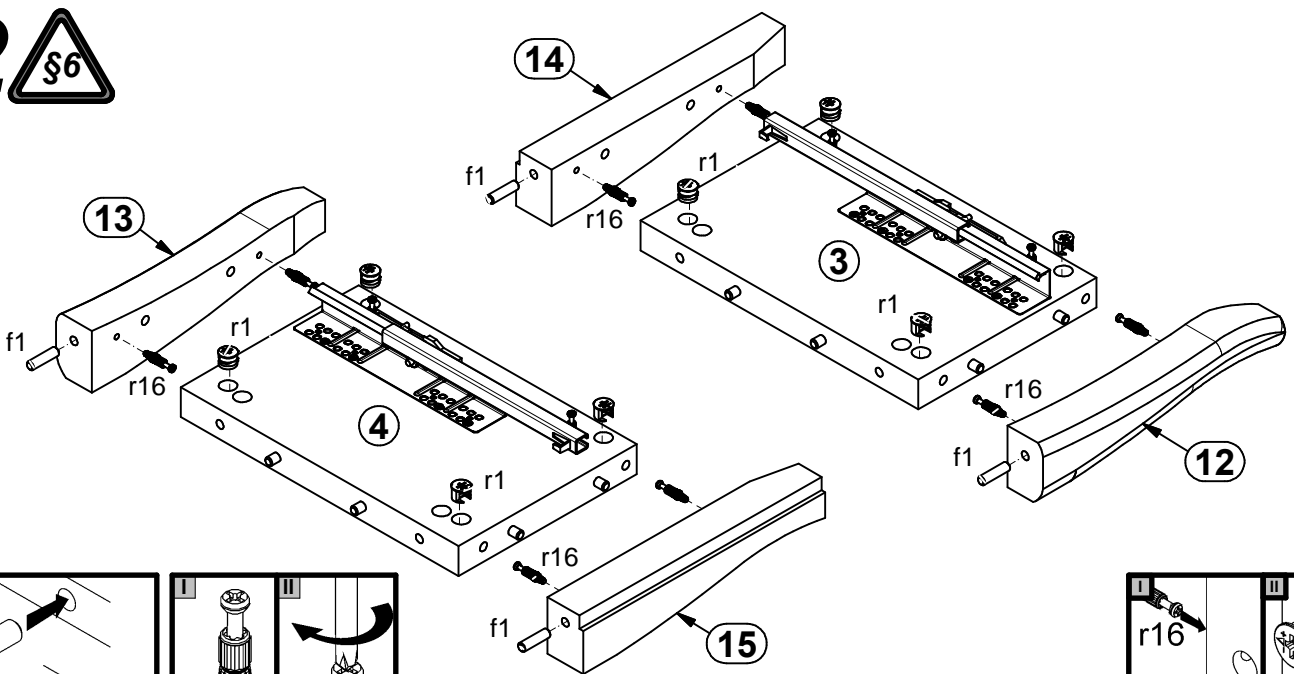
# 1

§2 §11

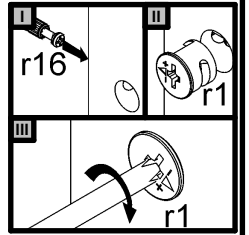
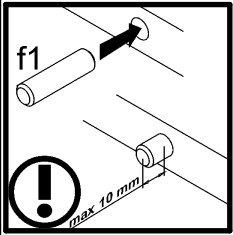
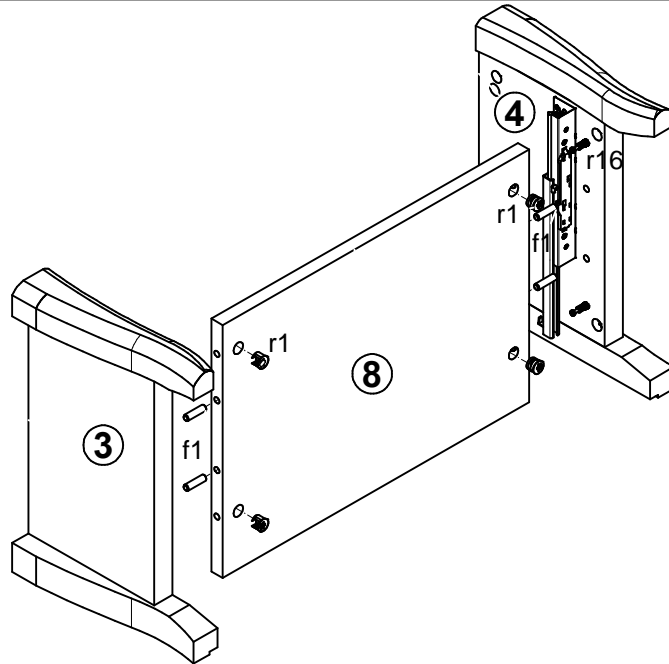


# 2

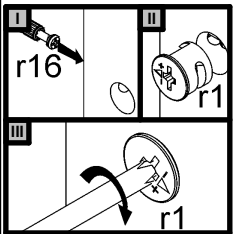
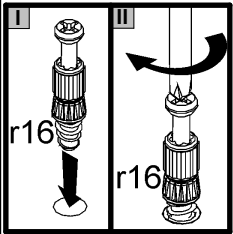
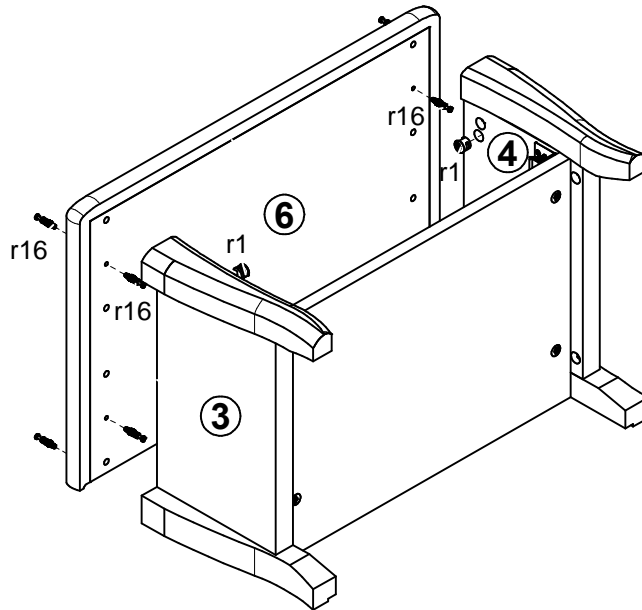
§6



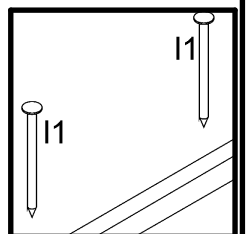
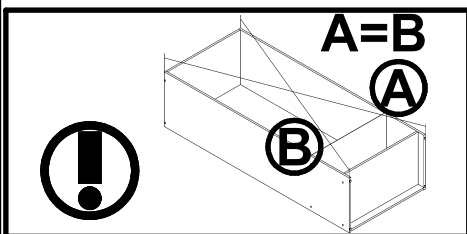
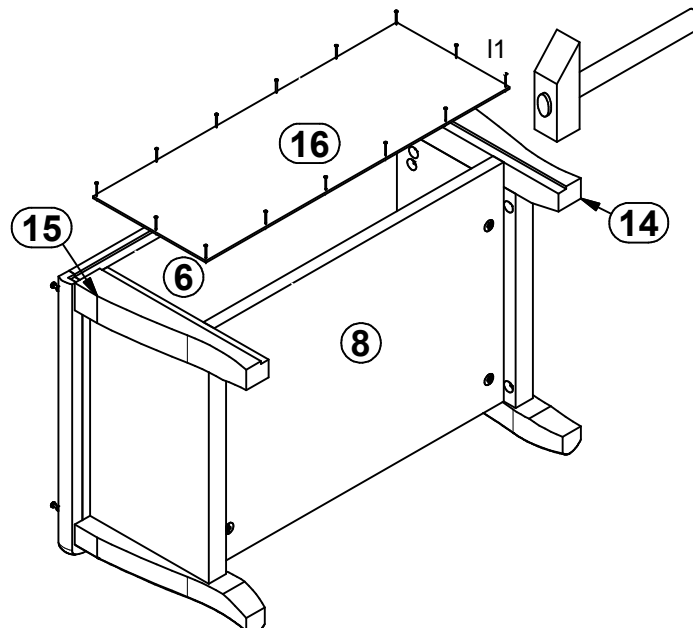
# 3



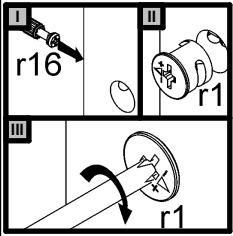
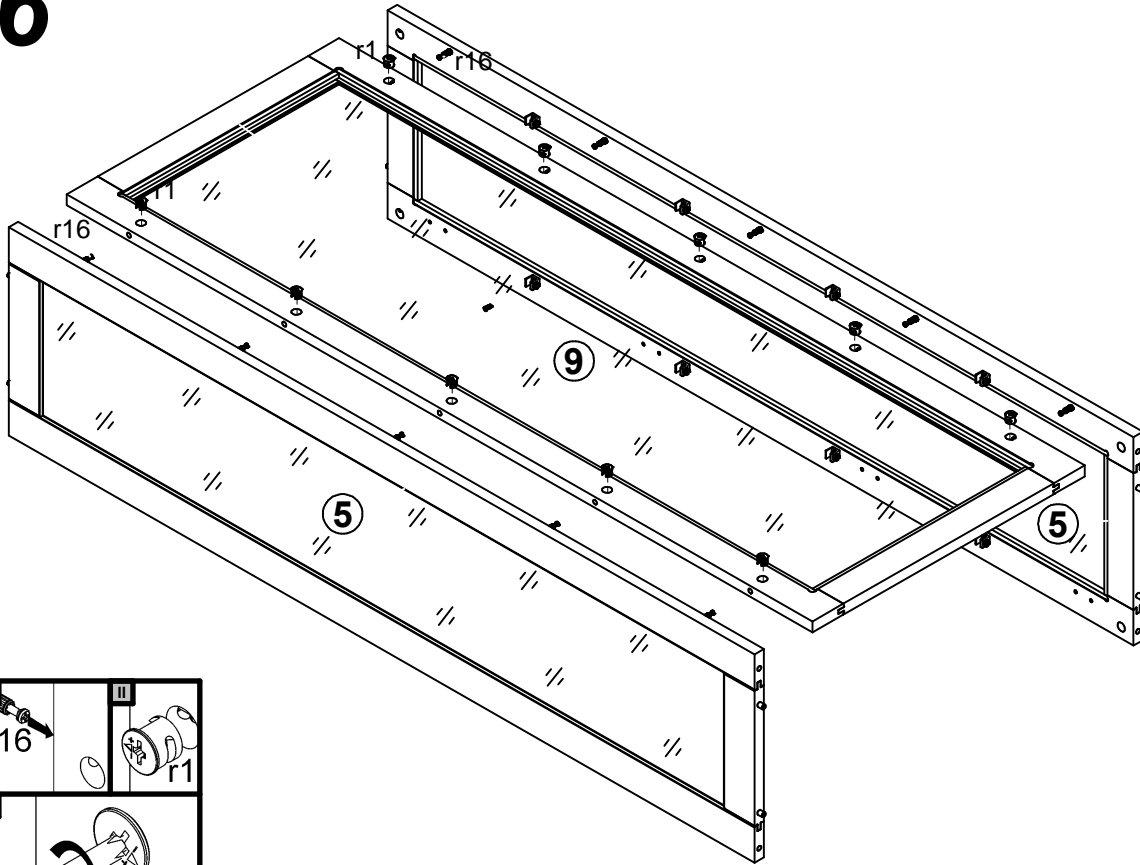
# 4



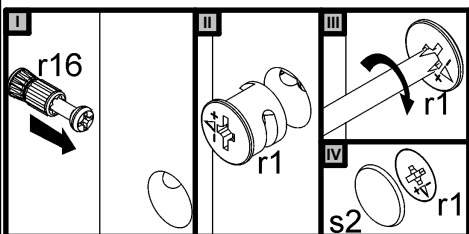
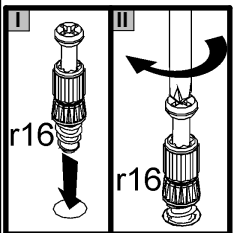
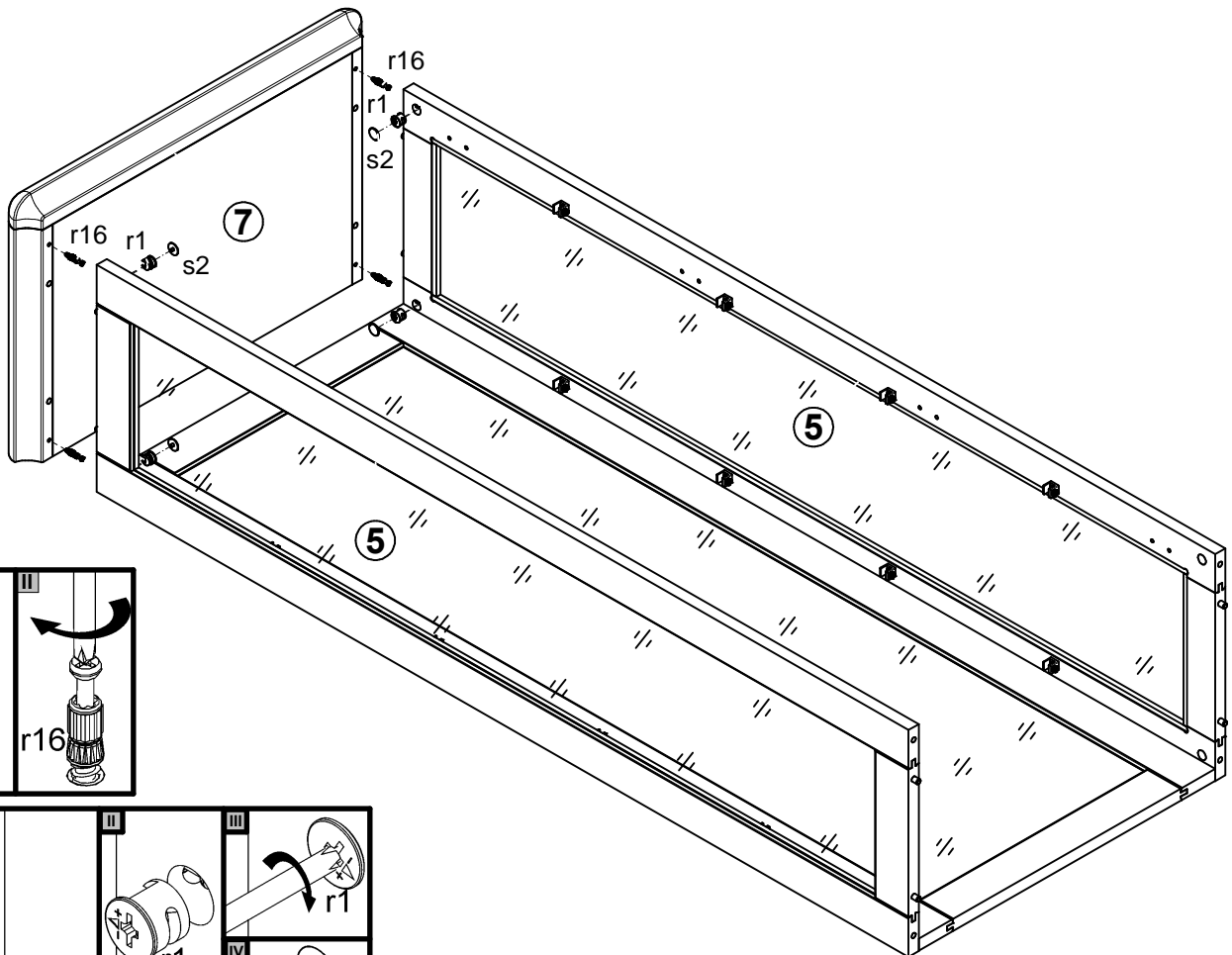
# 5

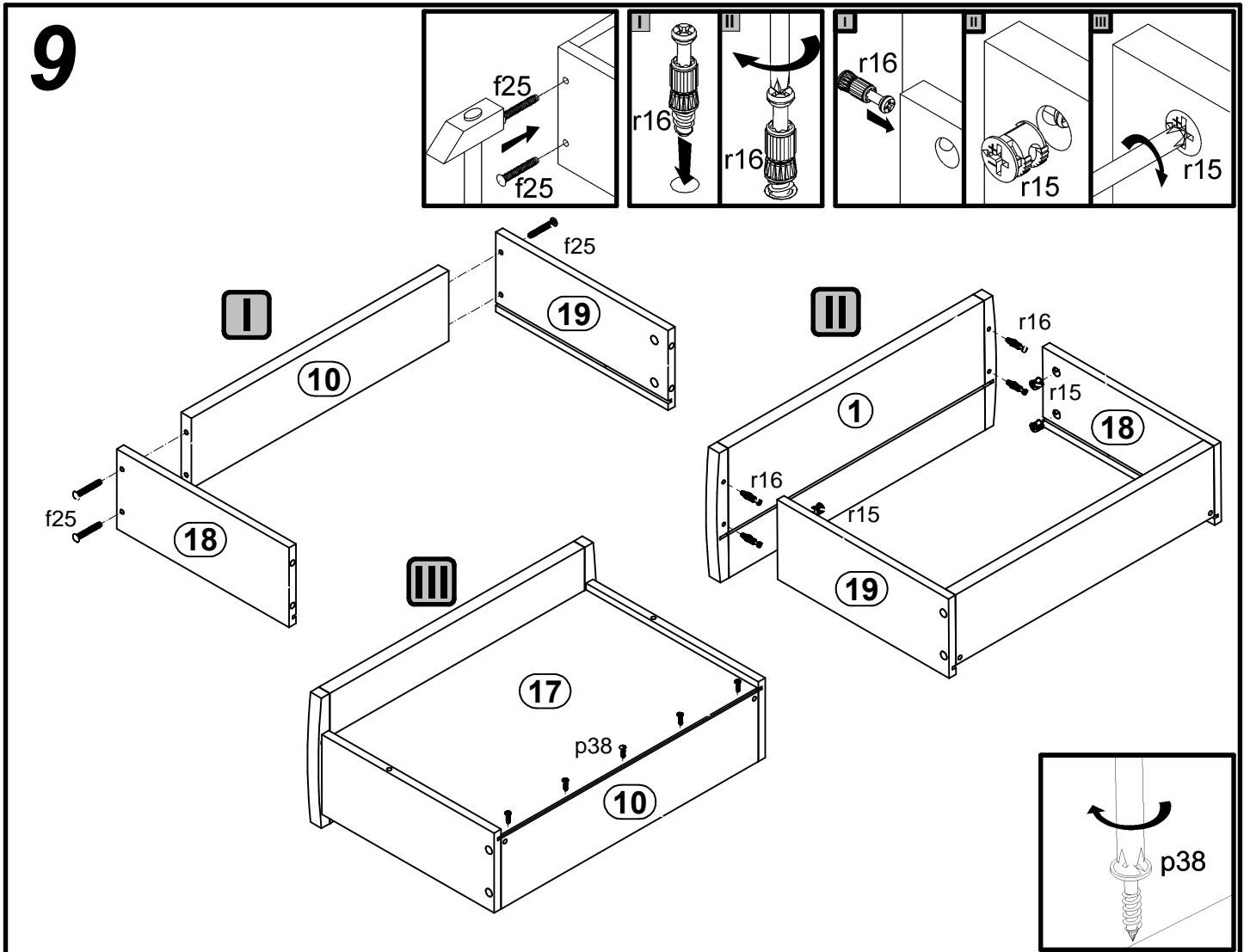
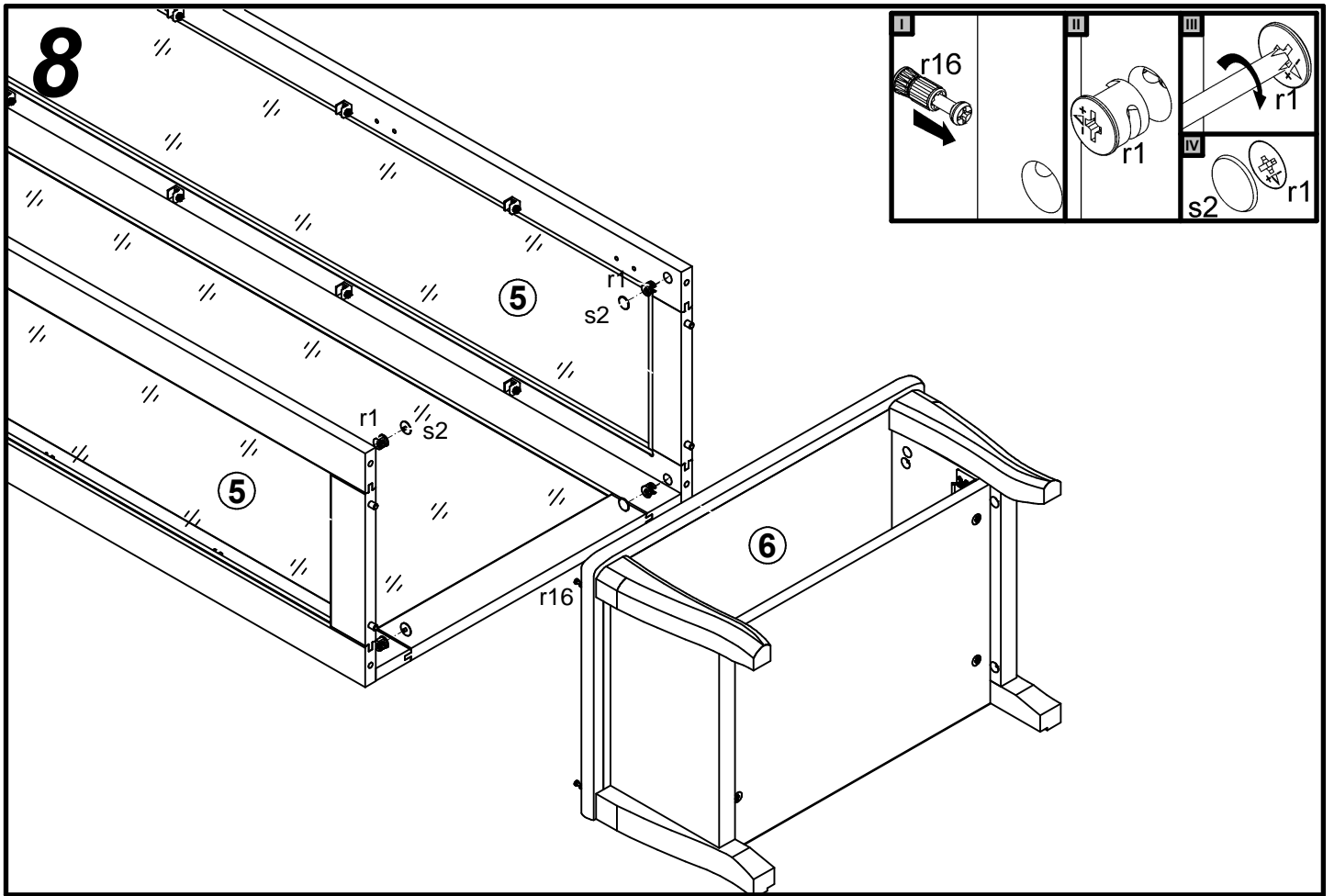


# 6

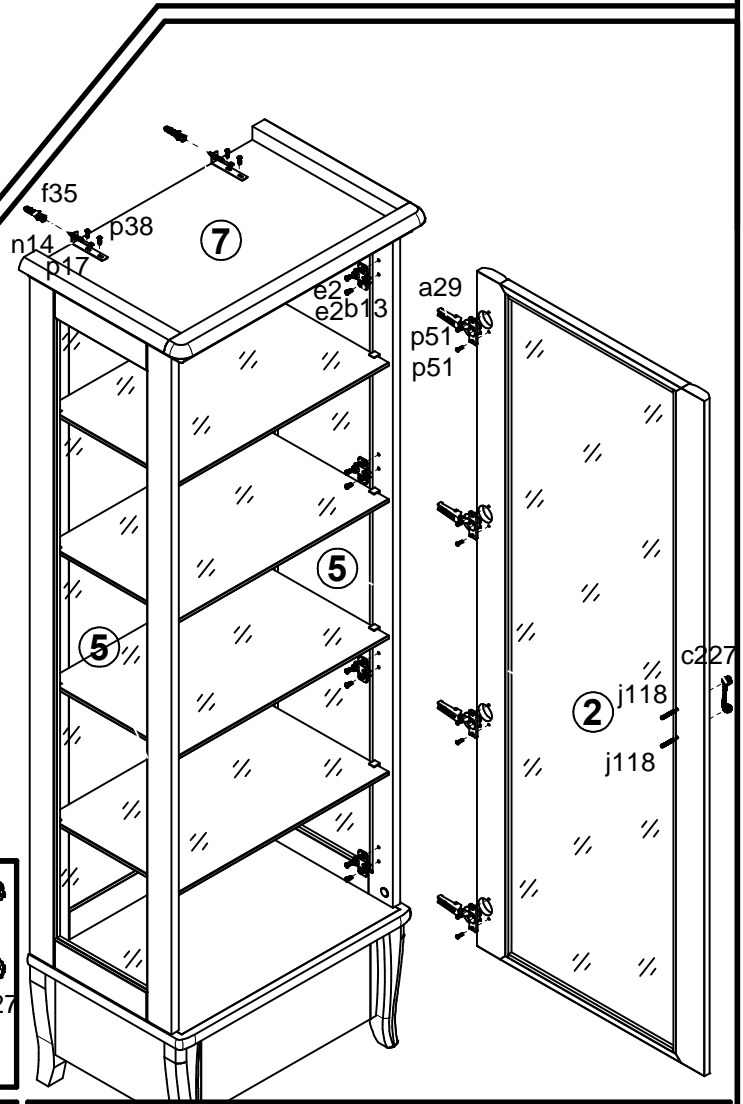
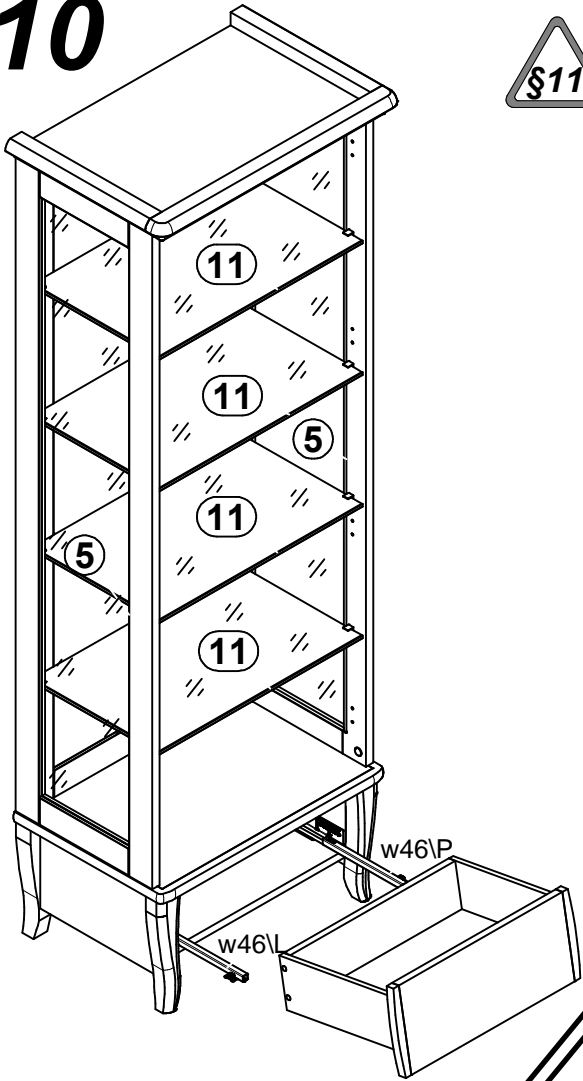
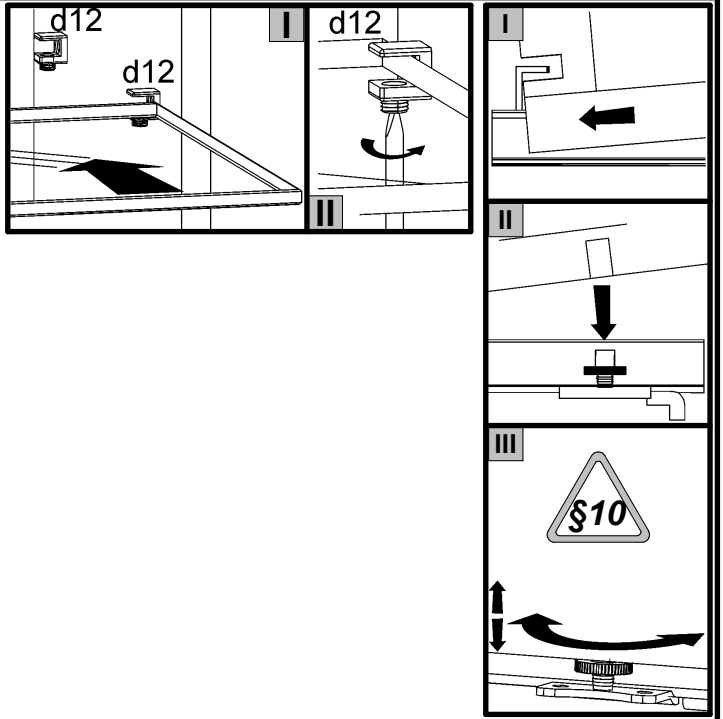


# 7





# 10



# 11

