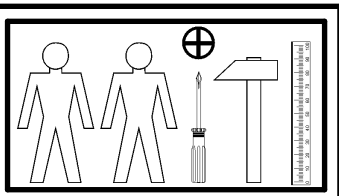
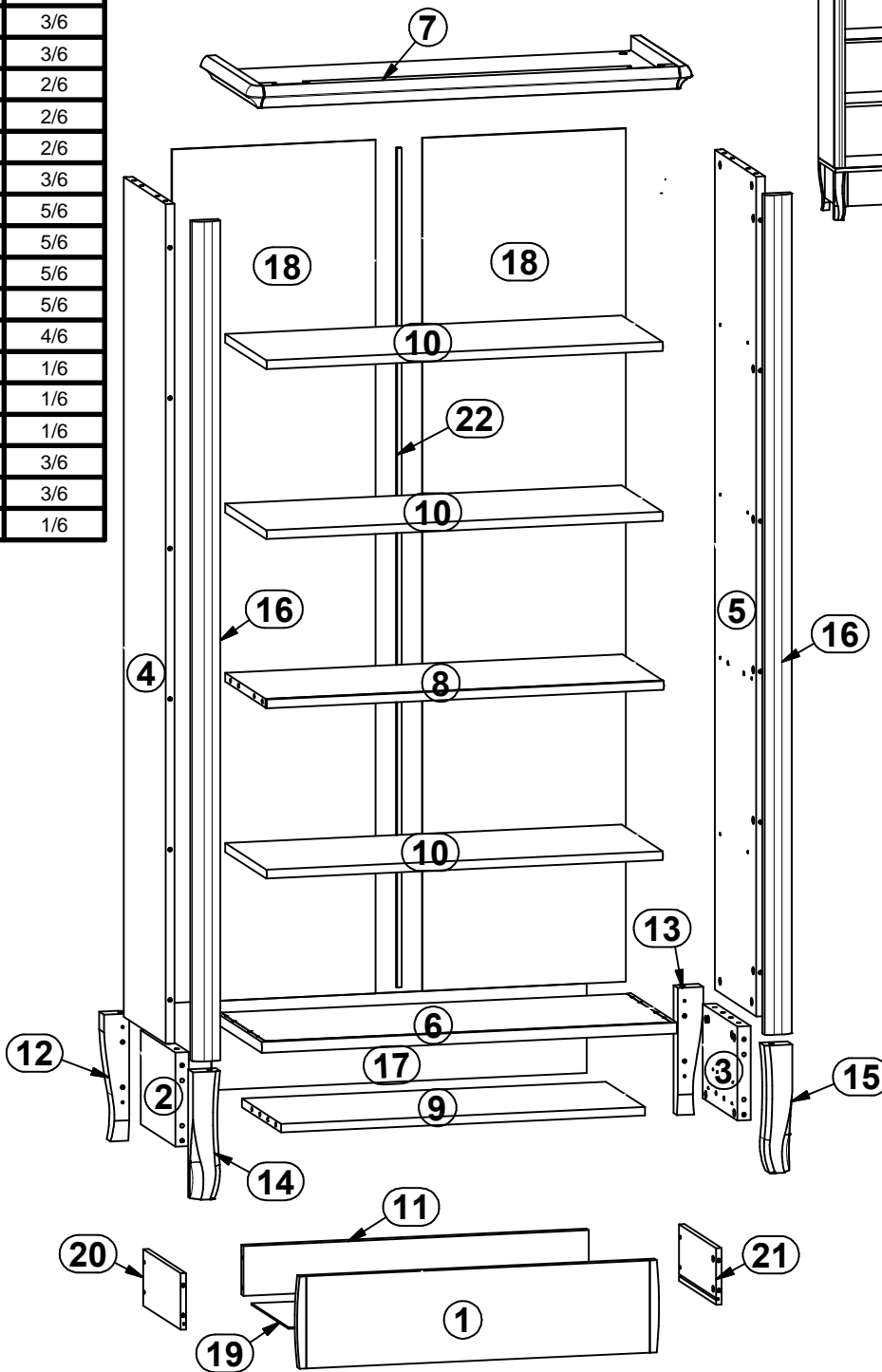
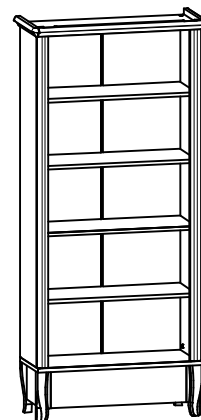
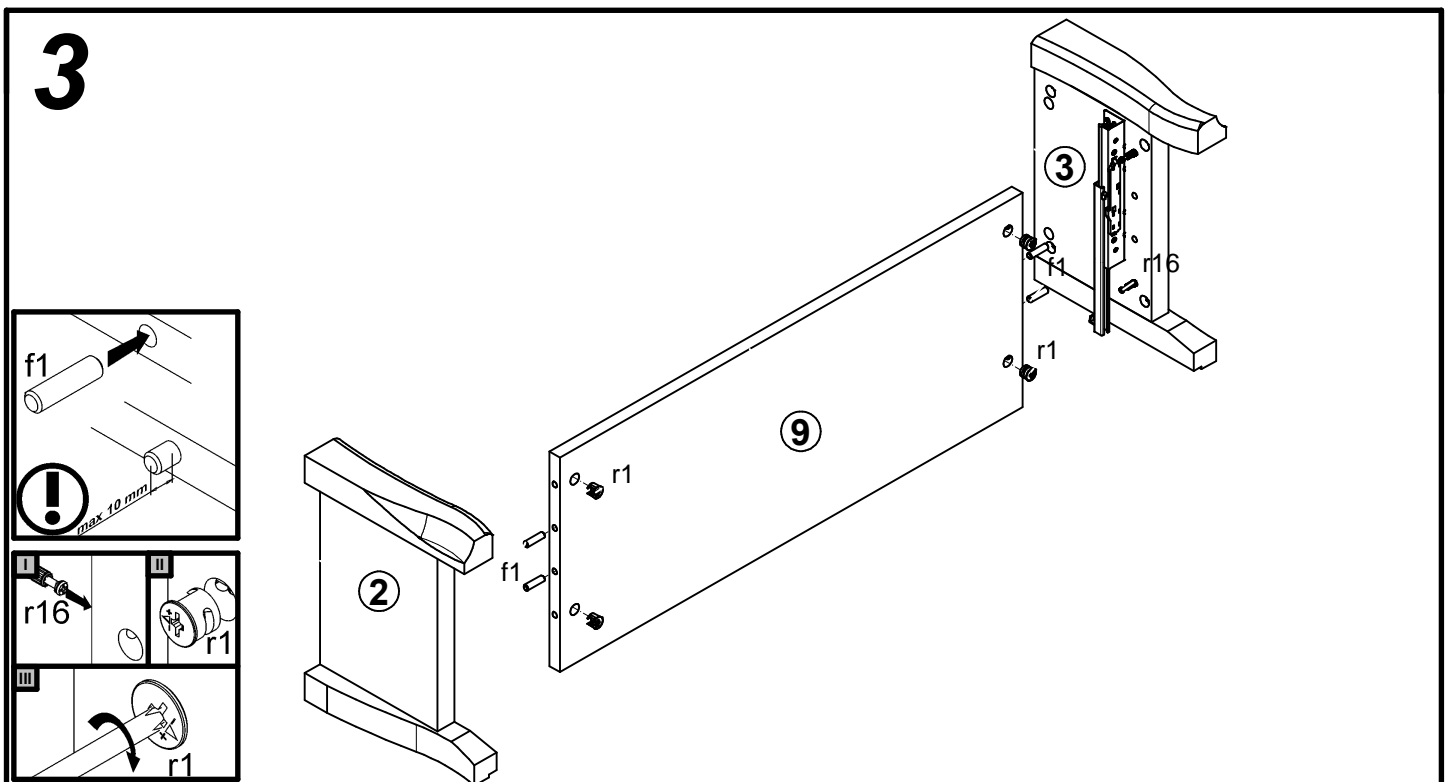
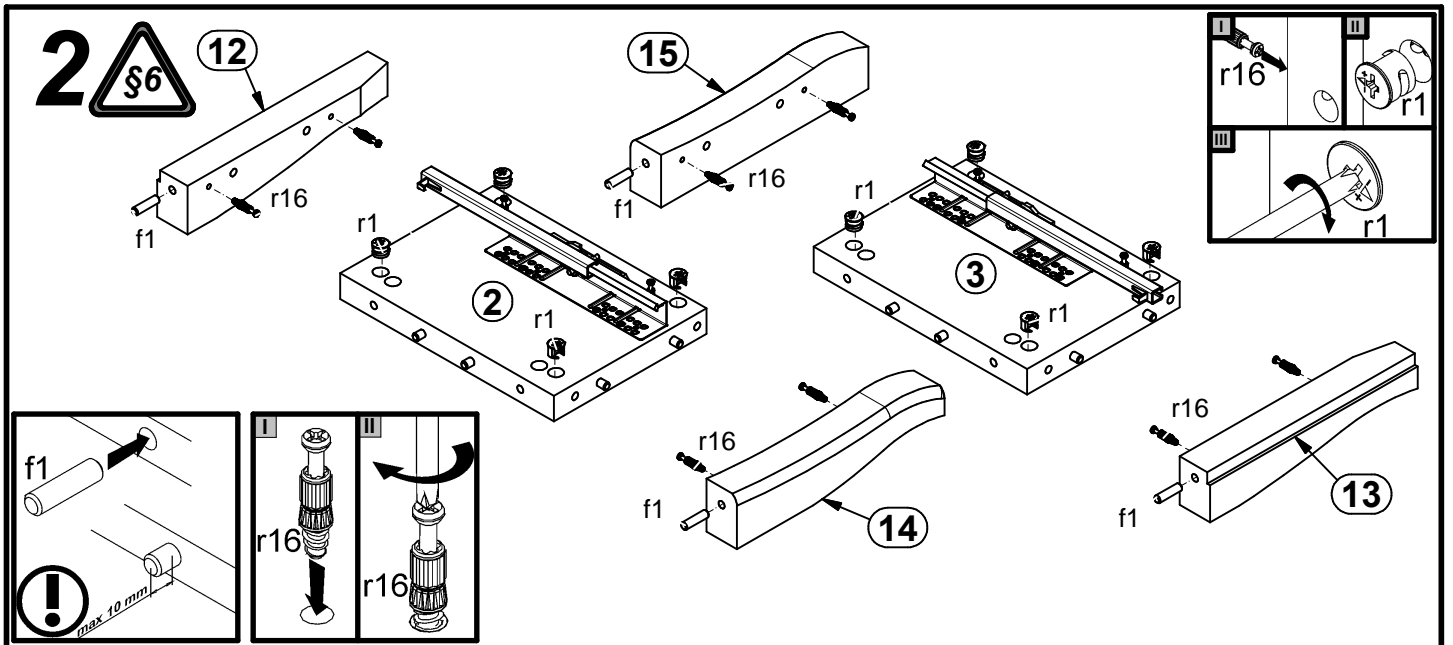
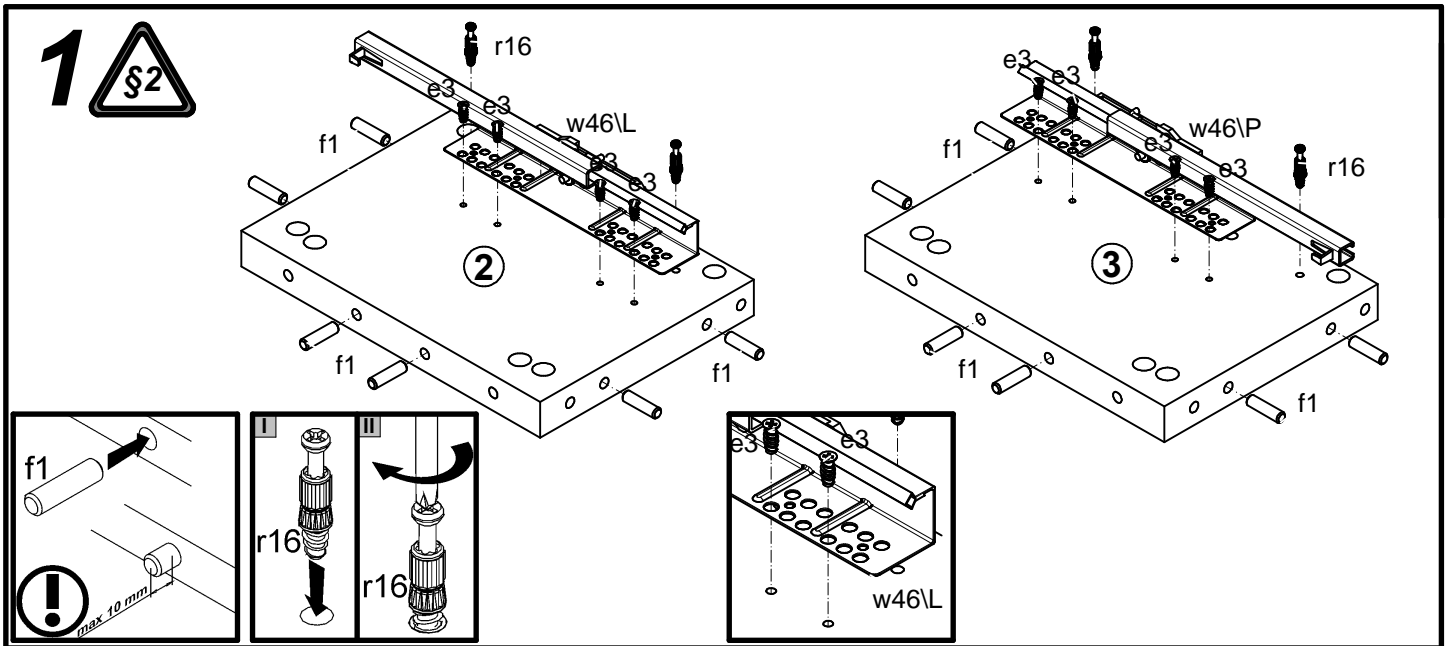


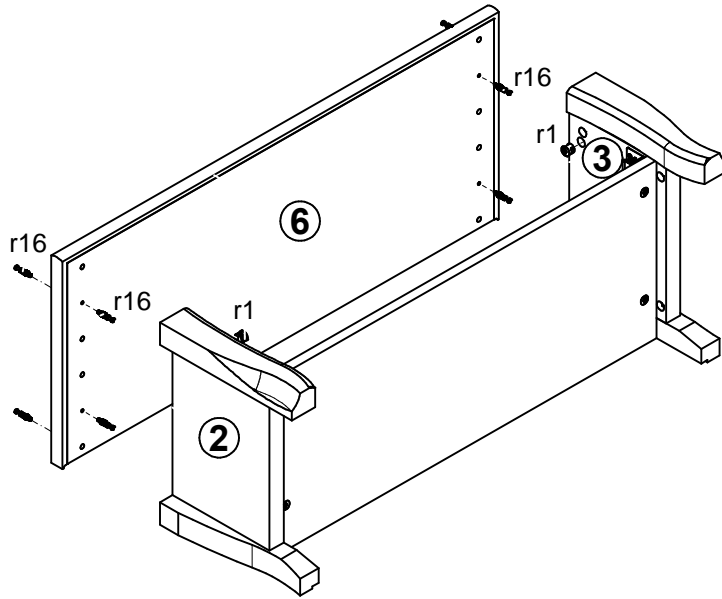
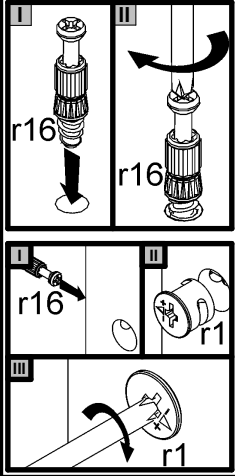
A	B	C	D
1	S71-002	784	196
2	S71-120	200	280
3	S71-121	200	280
4	S71-125	1786	339
5	S71-126	1786	339
6	S71-214	899	372
7	S71-235	965	394
8	S71-309	860	335
9	S71-315	788	316
10	S71-316	858	334
11	S71-504	748	106
12	S71-573	272	55
13	S71-574	272	55
14	S71-588	272	60
15	S71-589	272	60
16	S71-590	1786	60
17	S71-901	190	812
18	S71-930	1815	441
19	S71-931	759	306
20	ZS1-3507	300	120
21	ZS1-3508	300	120
22	lh-1785	1785	12



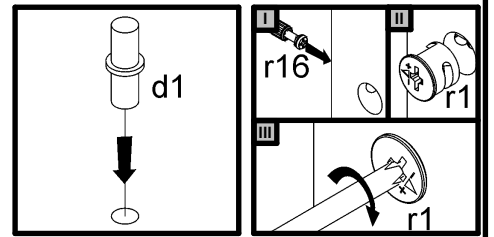
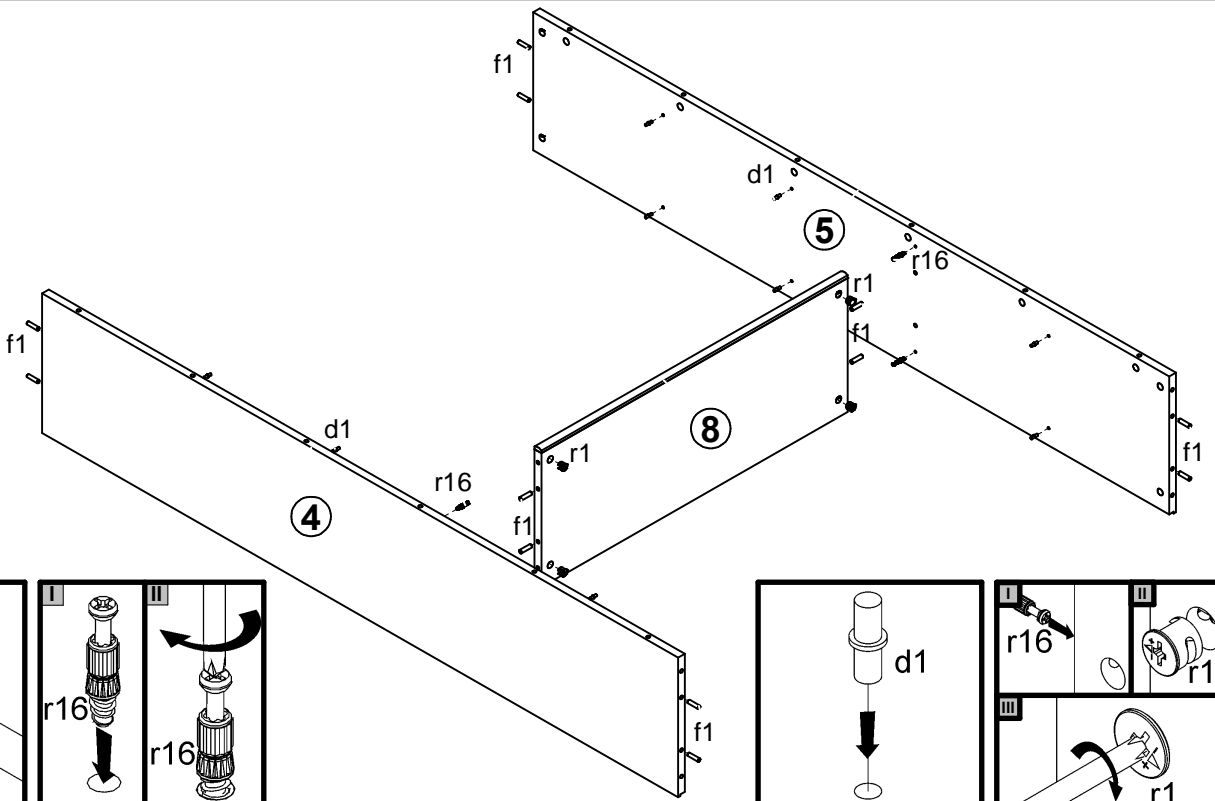
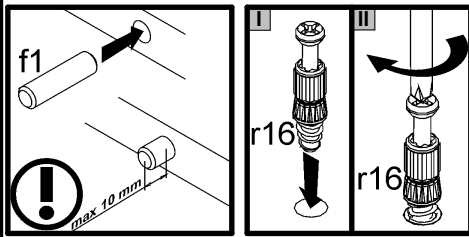
12x  φ5x17 mm <b>d1</b>	8x  φ6x13 mm <b>e3</b>	32x  φ8x30 mm <b>f1</b>	4x  φ6.5x40 mm <b>f25</b>	4x  M4x12 mm <b>j45/1</b>	2x  <b>j45/2</b>	1x  M6x70 mm <b>j72</b>	90x  <b>l1</b>	2x  φ3.5x16 mm <b>p25</b>	
7x  φ3.5x16 mm <b>p38</b>	40x  φ15x12mm #16 <b>r1</b>	4x  φ12x10.5mm #12 <b>r15</b>	44x  <b>r16</b>	1x  φ10x16mm <b>r43</b>	20x  ø16 <b>s2</b>	1x  300 mm <b>t25</b>	1x  300 mm <b>w46/L</b>	1x  300 mm <b>w46/P</b>	
1x  5mm <b>z17</b>	1x  <b>n26/1</b>	1x  φ3.5x16 mm <b>p38</b>							



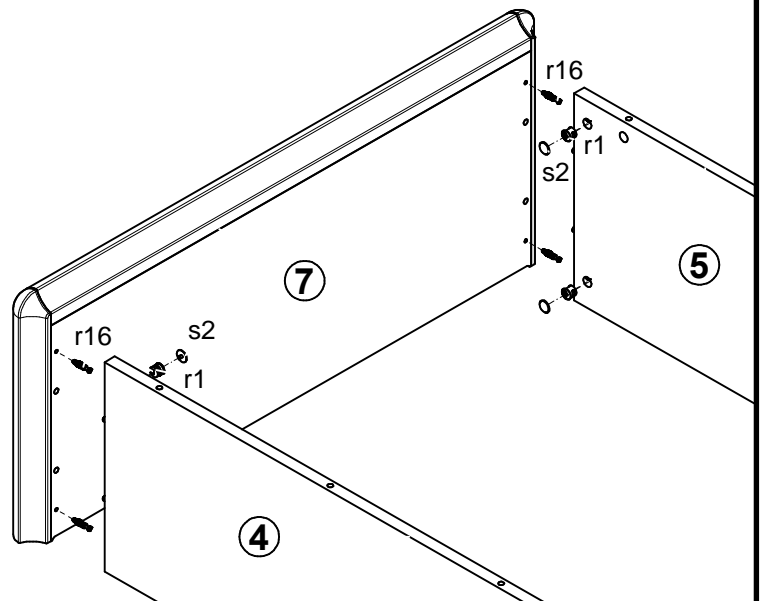
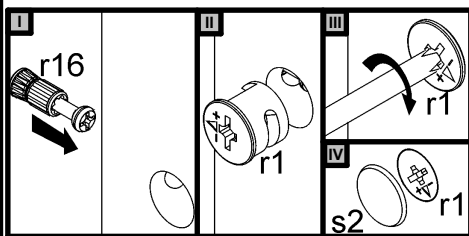
# 4



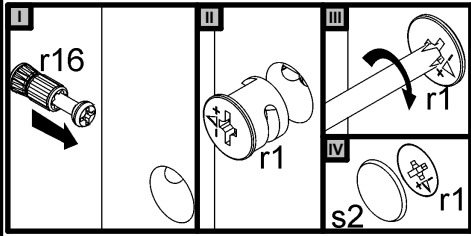
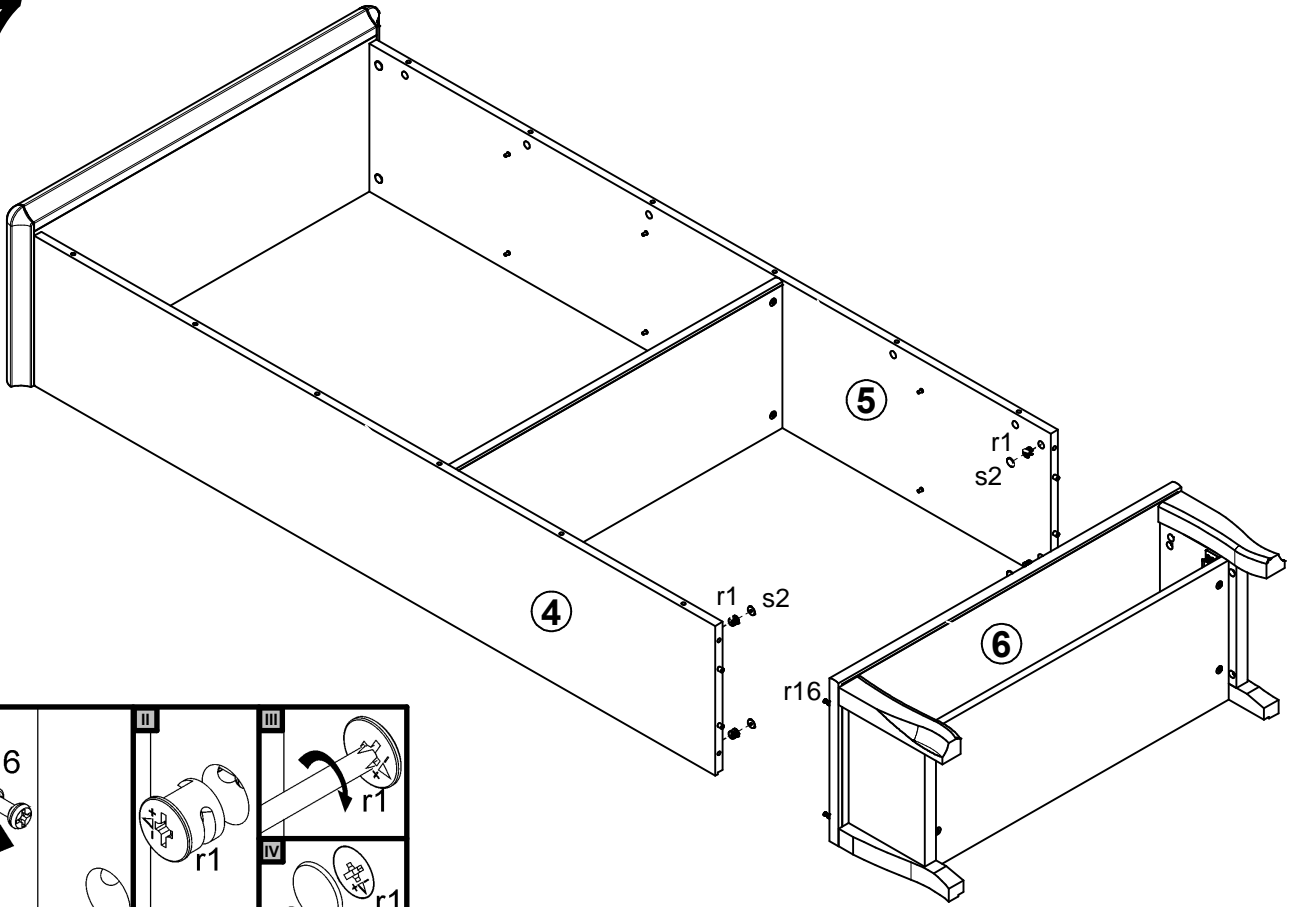
# 5



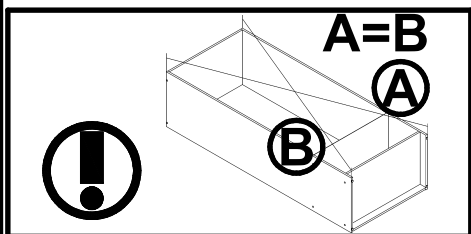
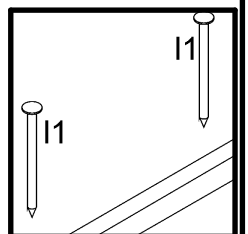
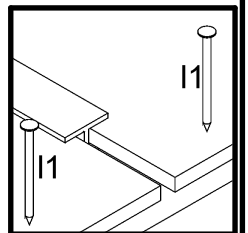
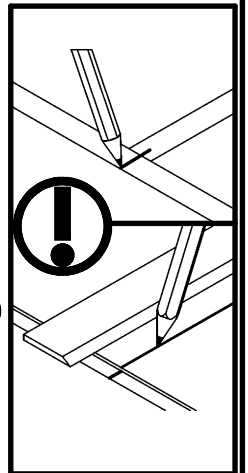
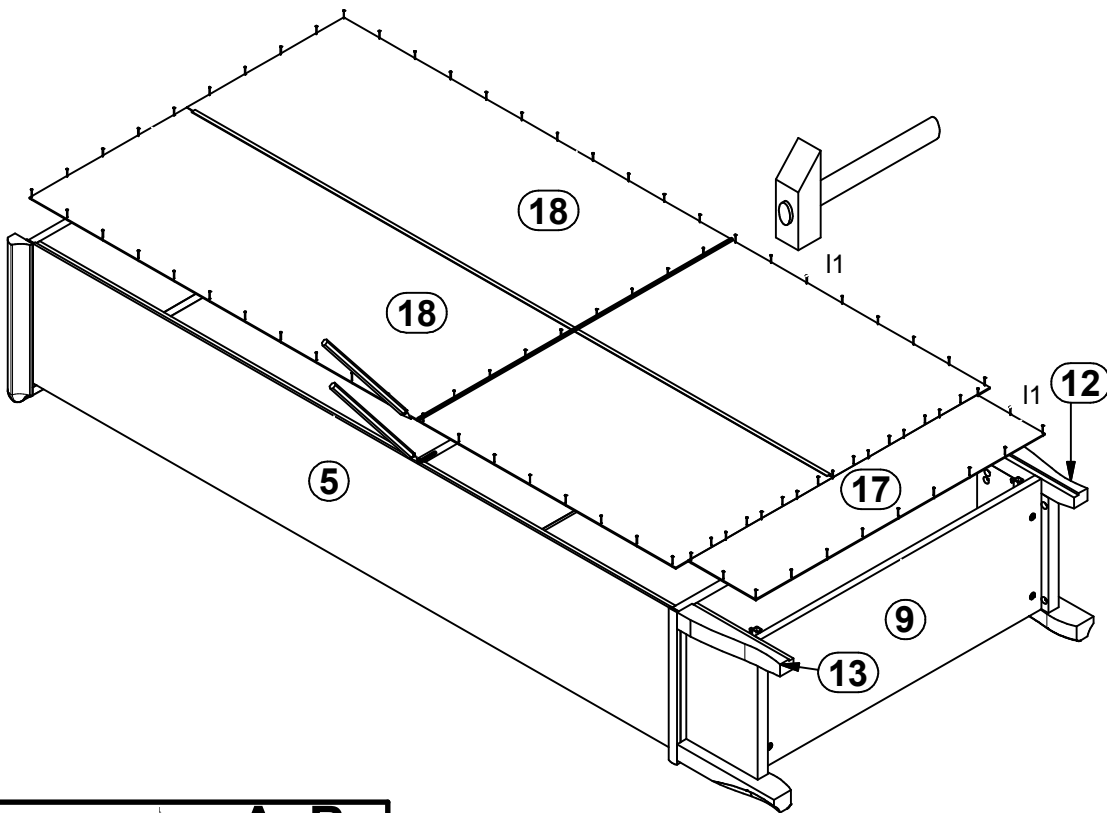
# 6

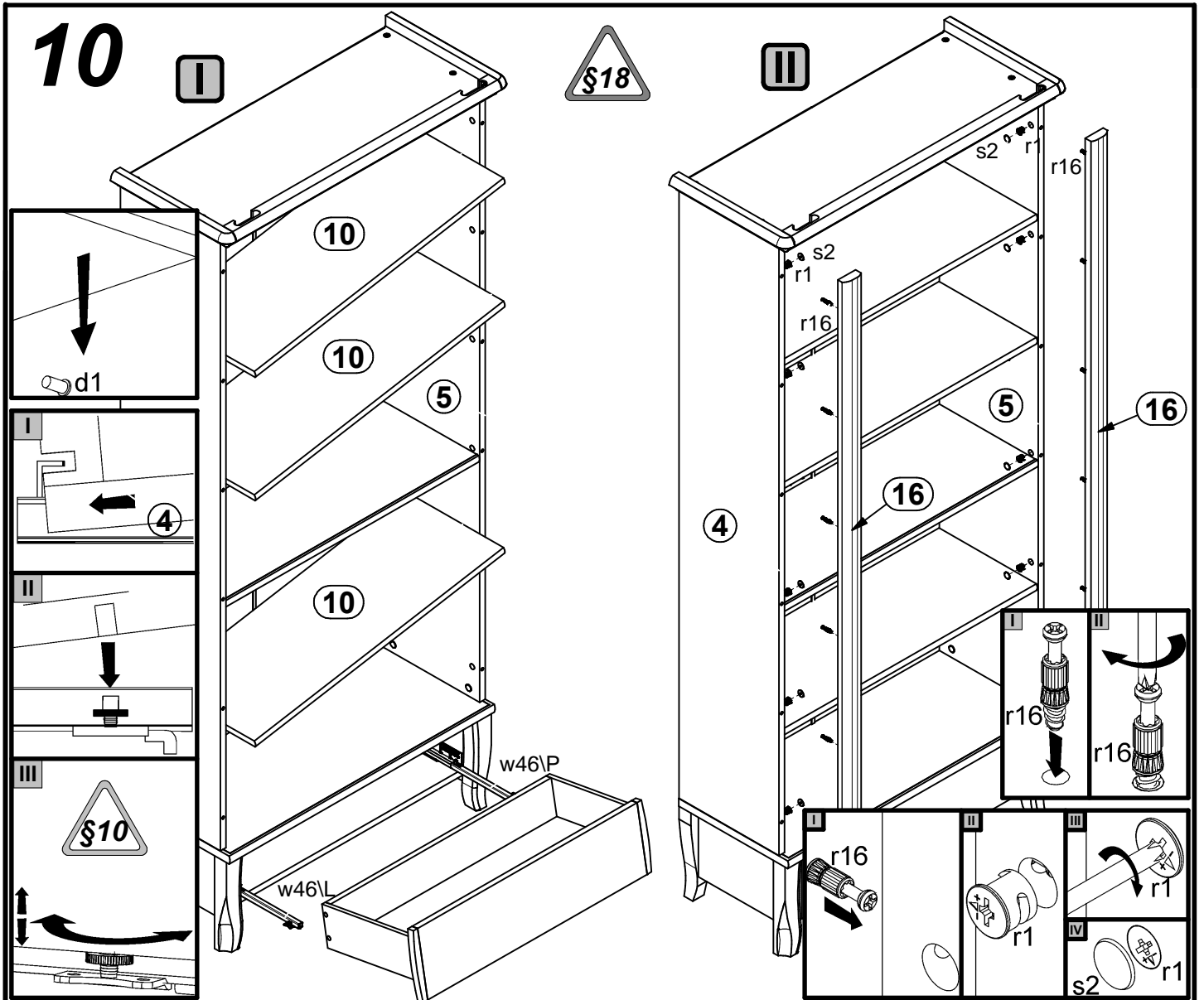
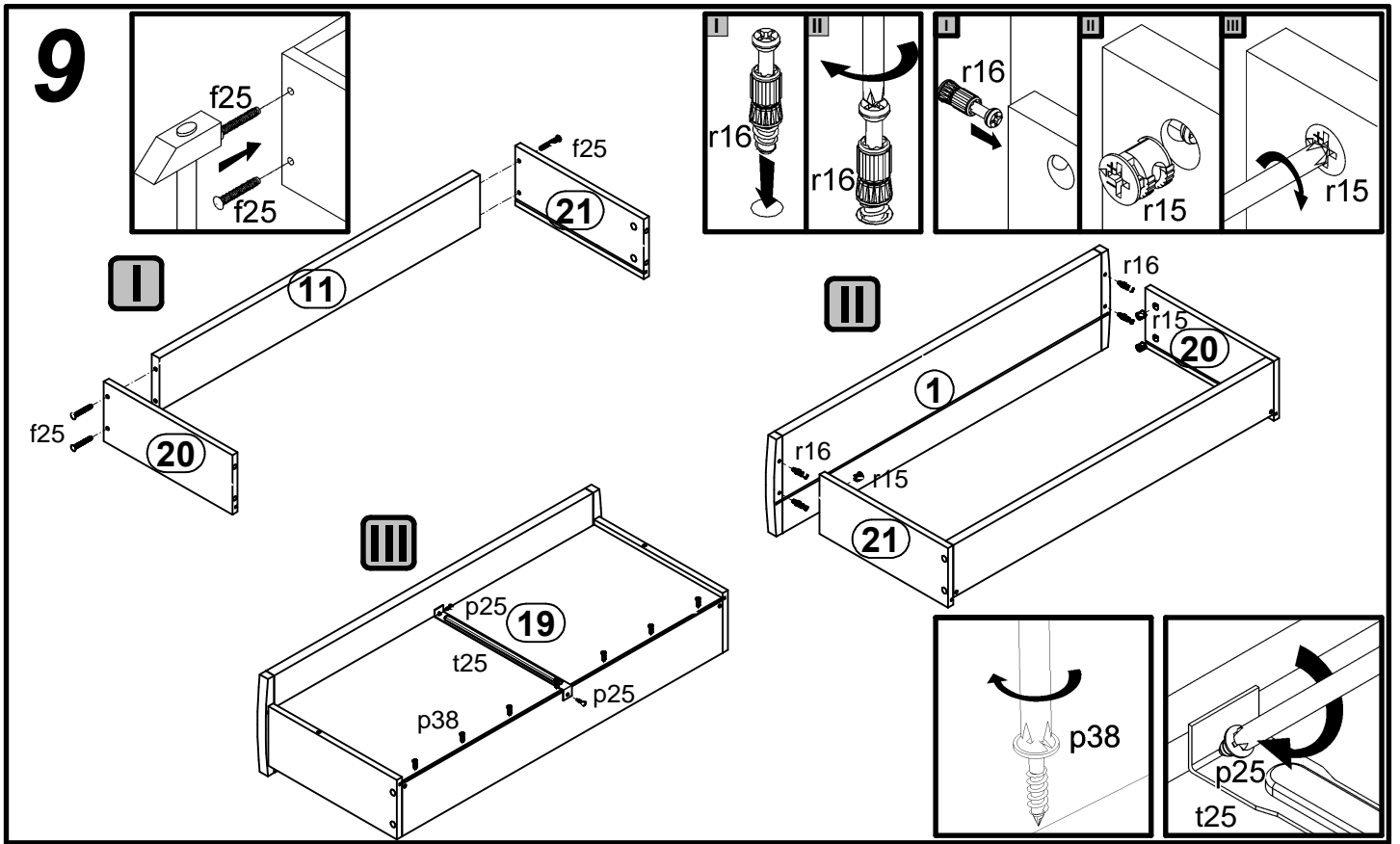


# 7



# 8





# 11

