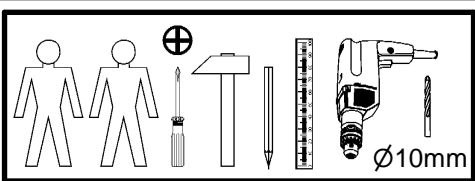
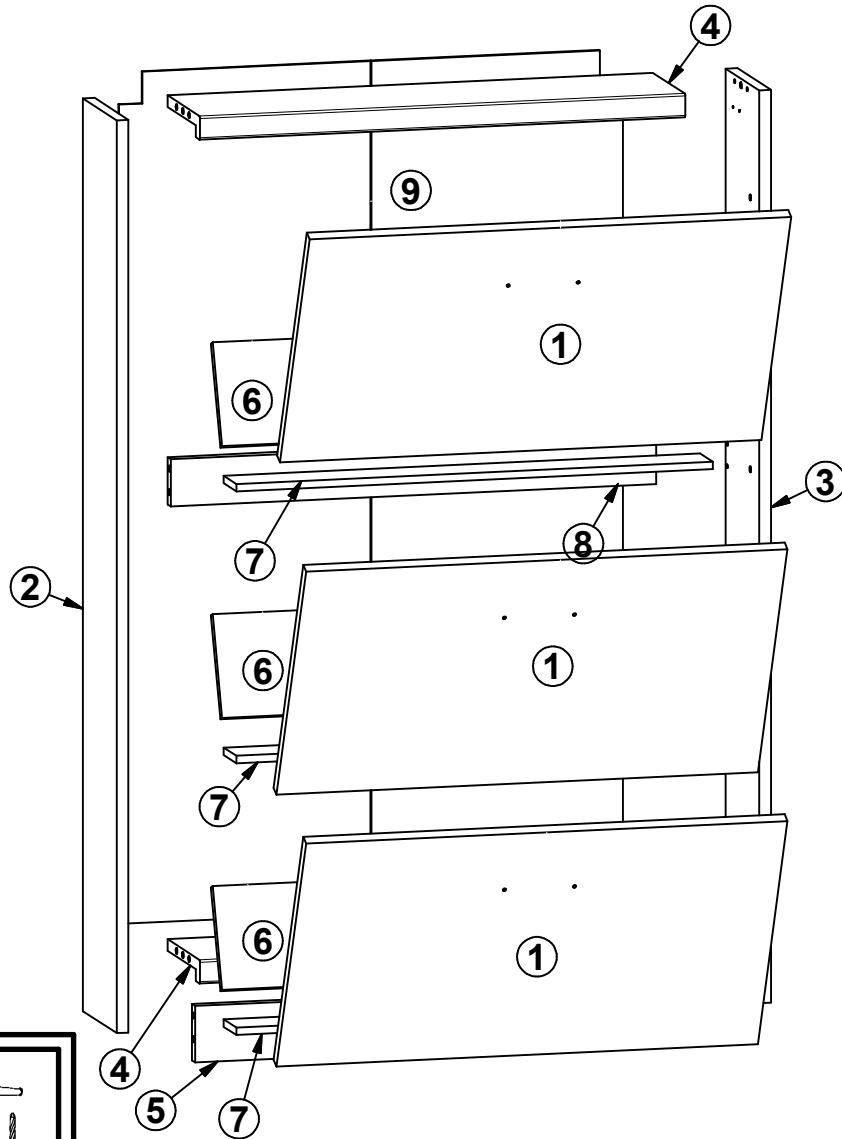
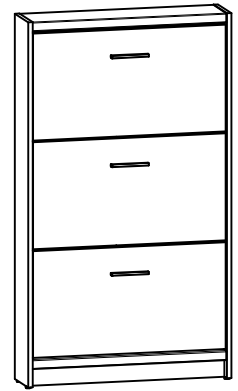


OPEN

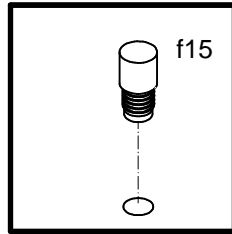
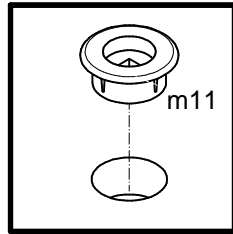
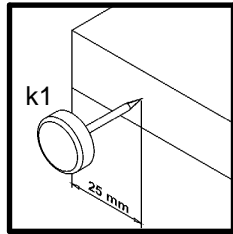
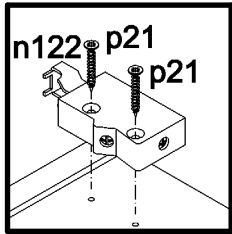
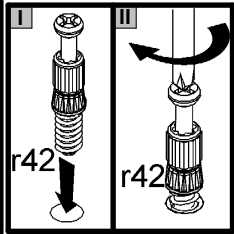
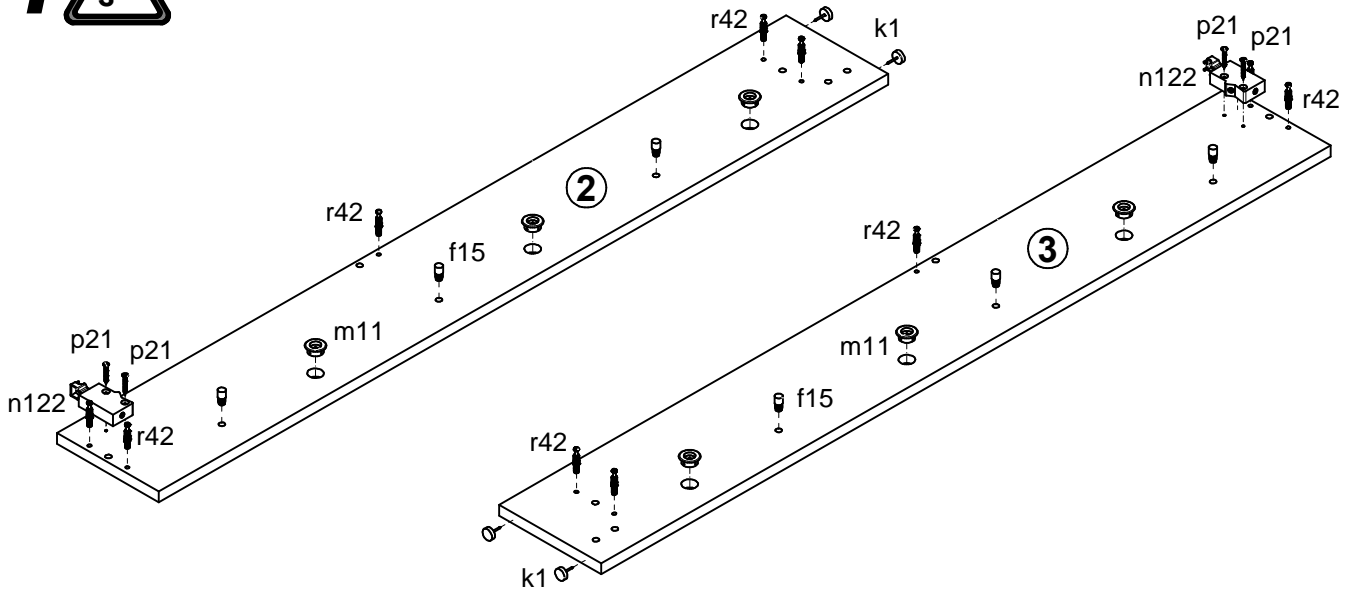
S133-SFB3K

A	B	C	D
1	S133-015	660	360 3/3
2	S133-130	1229	172 1/3
3	S133-131	1229	172 1/3
4	S133-317	665	166 2/3
5	S133-405	665	76 2/3
6	S133-408	653	140 2/3
7	S133-409	653	65 2/3
8	S133-410	665	64 2/3
9	S133-917	1146	691 1/3

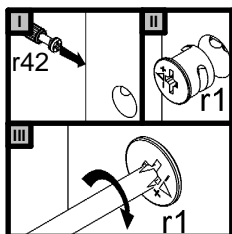
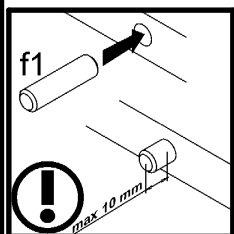
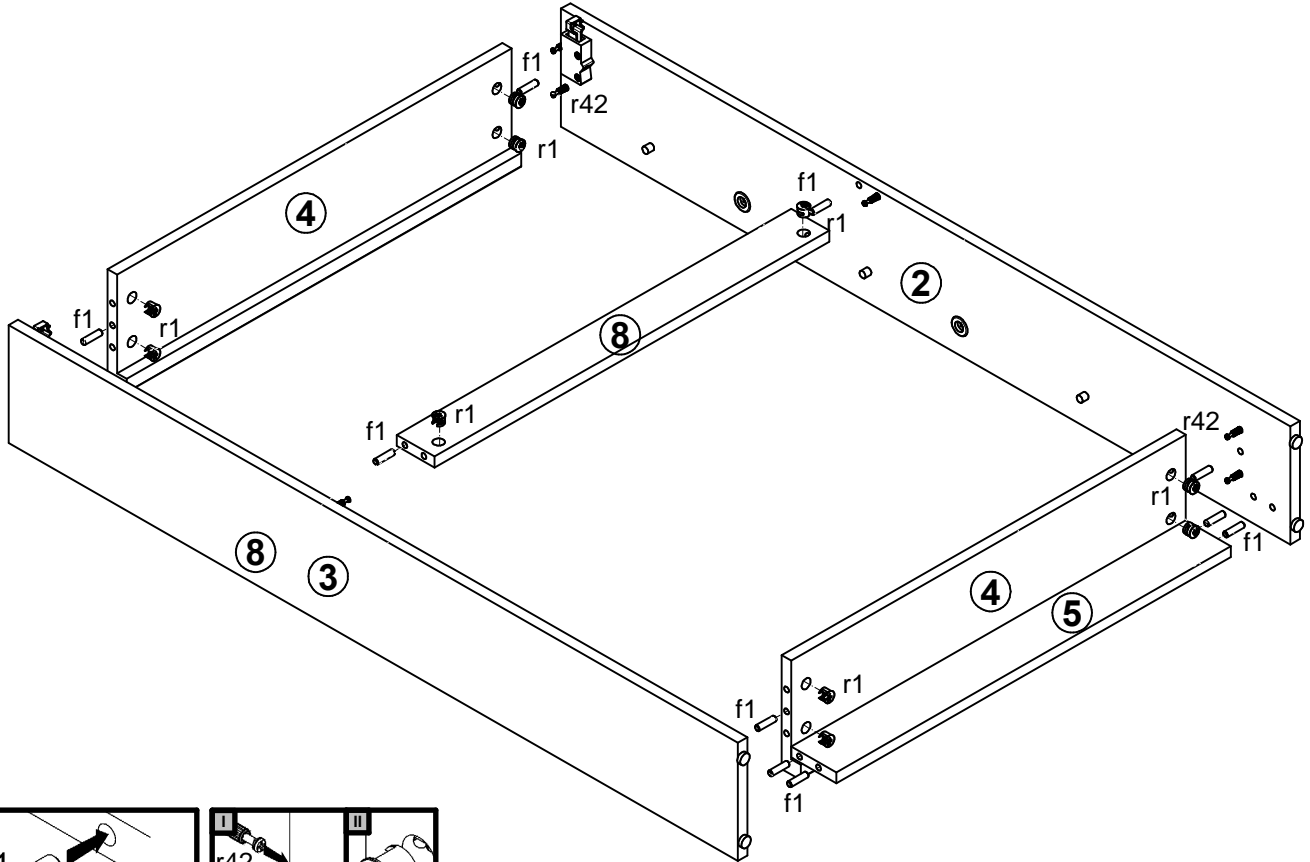


3x 126 mm c 223\7	24x φ6,3x13 mm e2	10x φ8x30 mm f1	6x f15	2x φ10x50 mm f35	4x k1	40x l1	6x m10	6x m11
3x m18\L	3x m18\P	2x n122	24x φ2,5x13 mm p15	4x φ4x30 mm p21	4x φ3,5x16 mm p38	6x φ2,9x24 mm p50	2x φ6x60 mm p75	10x φ1,5x12mm #16 r1
10x r42								

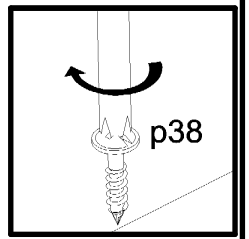
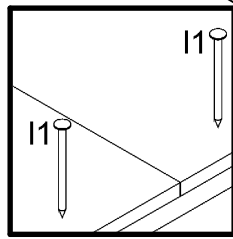
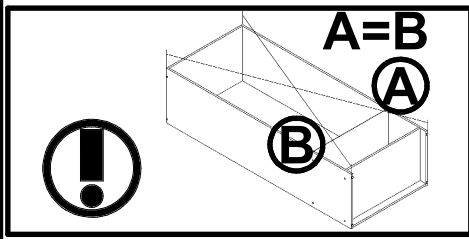
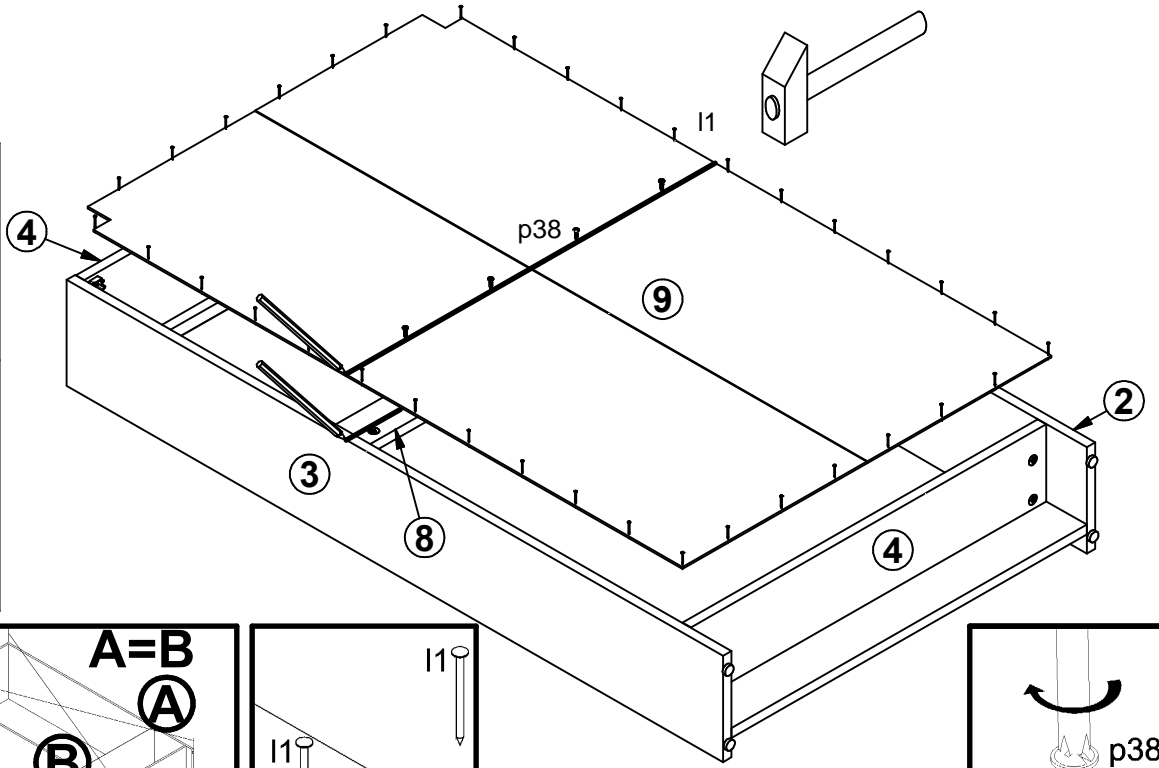
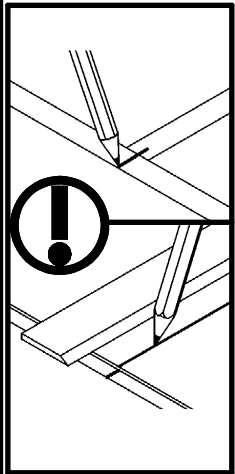
1



2



3



4

