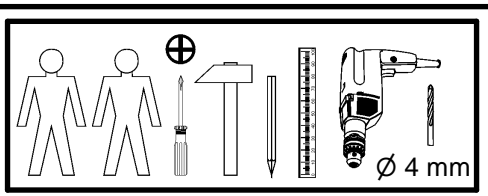
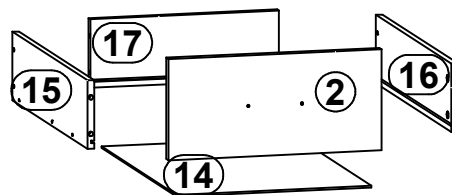
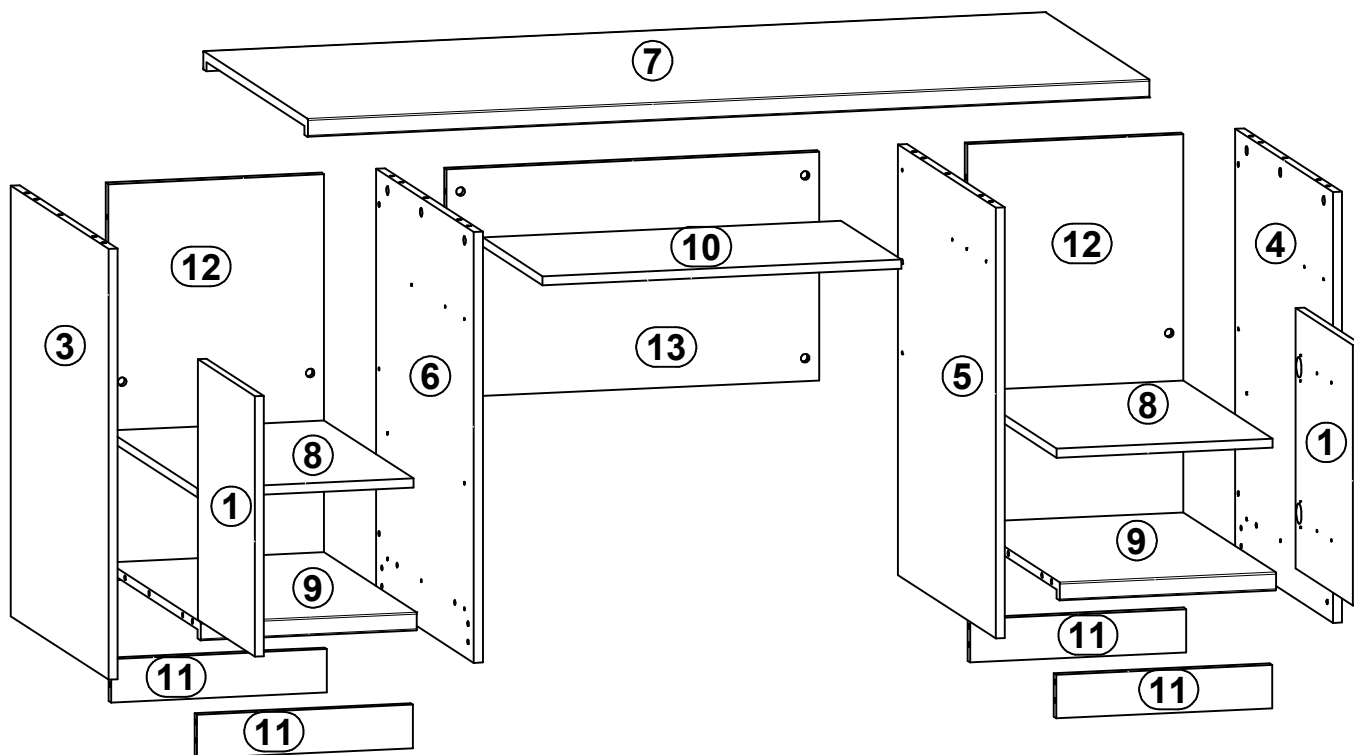
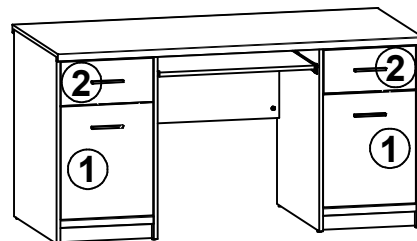


OPEN

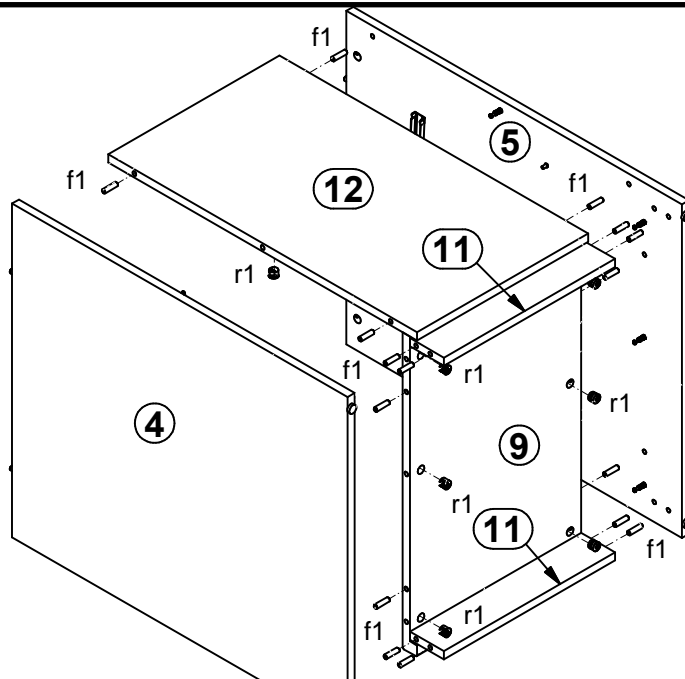
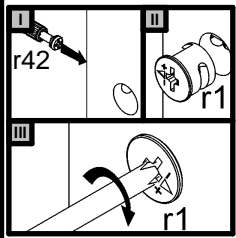
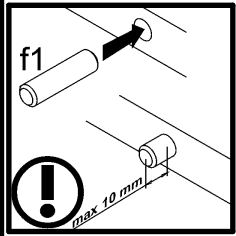
S133-BIU/150

A	B	C	D	A	B	C	D		
1	S133-019	456	380	3/4,4/4	10	S133-338	639	400	2/4
2	S133-020	380	177	3/4,4/4	11	S133-411	385	76	2/4
3	S133-135	754	650	1/4	12	S133-412	385	694	2/4
4	S133-136	754	650	1/4	13	S133-413	664	400	2/4
5	S133-142	754	650	1/4	14	S133-920	347	498	1/4
6	S133-143	754	650	1/4	15	ZS2-509	500	120	2/4
7	S133-201	1500	696	1/4	16	ZS2-510	500	120	2/4
8	S133-327	385	594	2/4	17	ZS2-5552	336	120	2/4
9	S133-328	385	616	2/4					

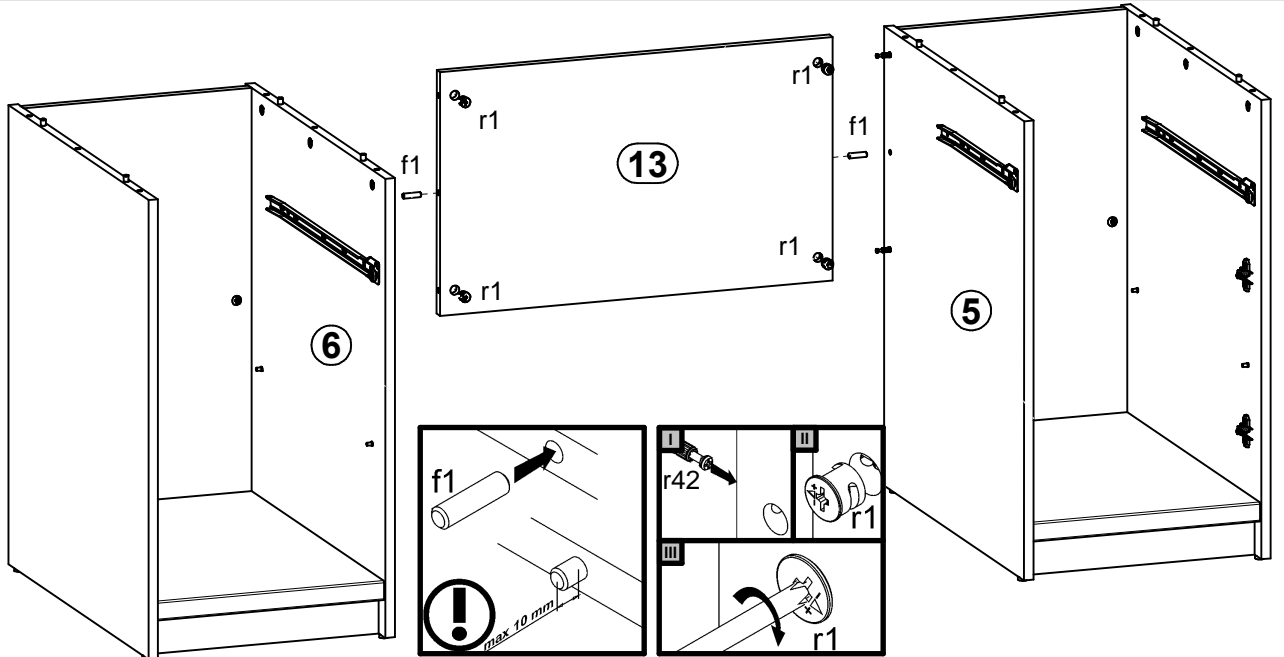


4x a43	4x b19	4x c 223\7	8x φ5x17 mm d1	12x φ5x9 mm e19	8x φ6,3x13 mm e2	18x φ6x13 mm e3	42x φ8x30 mm f1	8x φ6,5x40 mm f25
8x k1	4x φ3,5x13 mm p27	8x φ2,9x24 mm p50	8x φ3,5x15 mm p51	32x φ15x12mm #16 r1	8x φ12x10,5mm #12 r15	40x r42	2x 500 mm w26\CL	2x 500 mm w26\CR
2x 500 mm w26\DL	2x 500 mm w26\DR	1x 350 mm w45\CL	1x 350 mm w45\CR	1x 350 mm w45\DL	1x 350 mm w45\DR	10x ø16 s2		

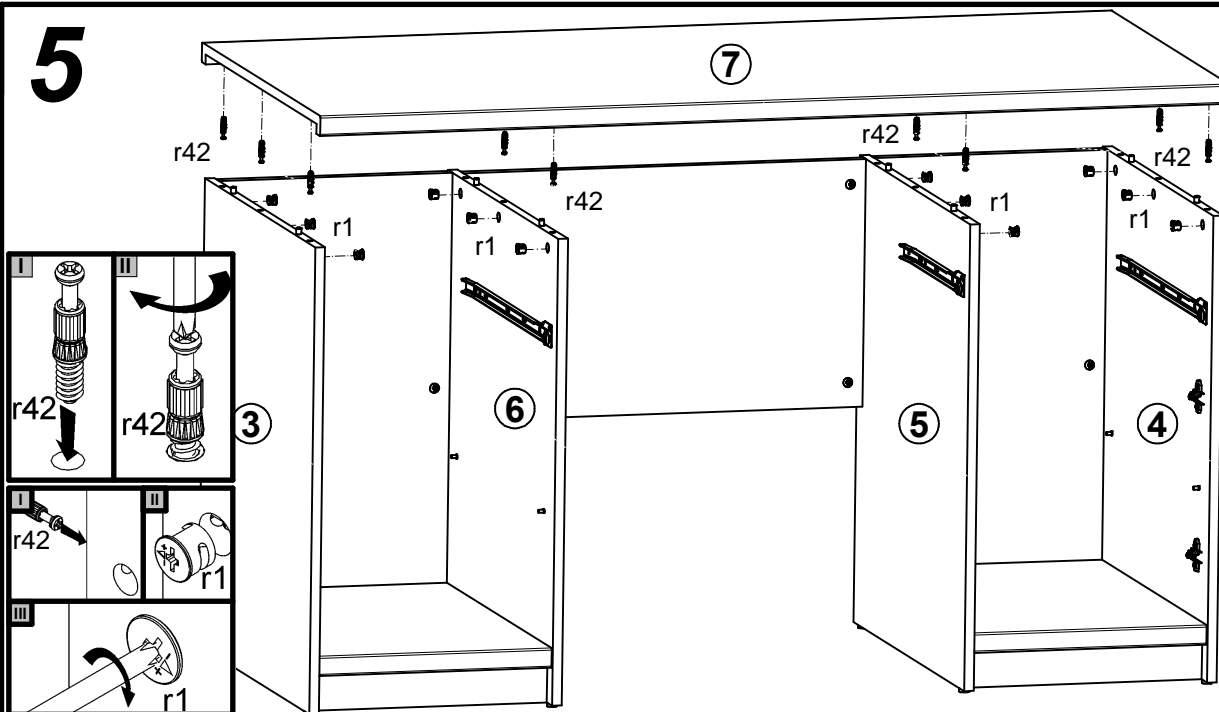
3



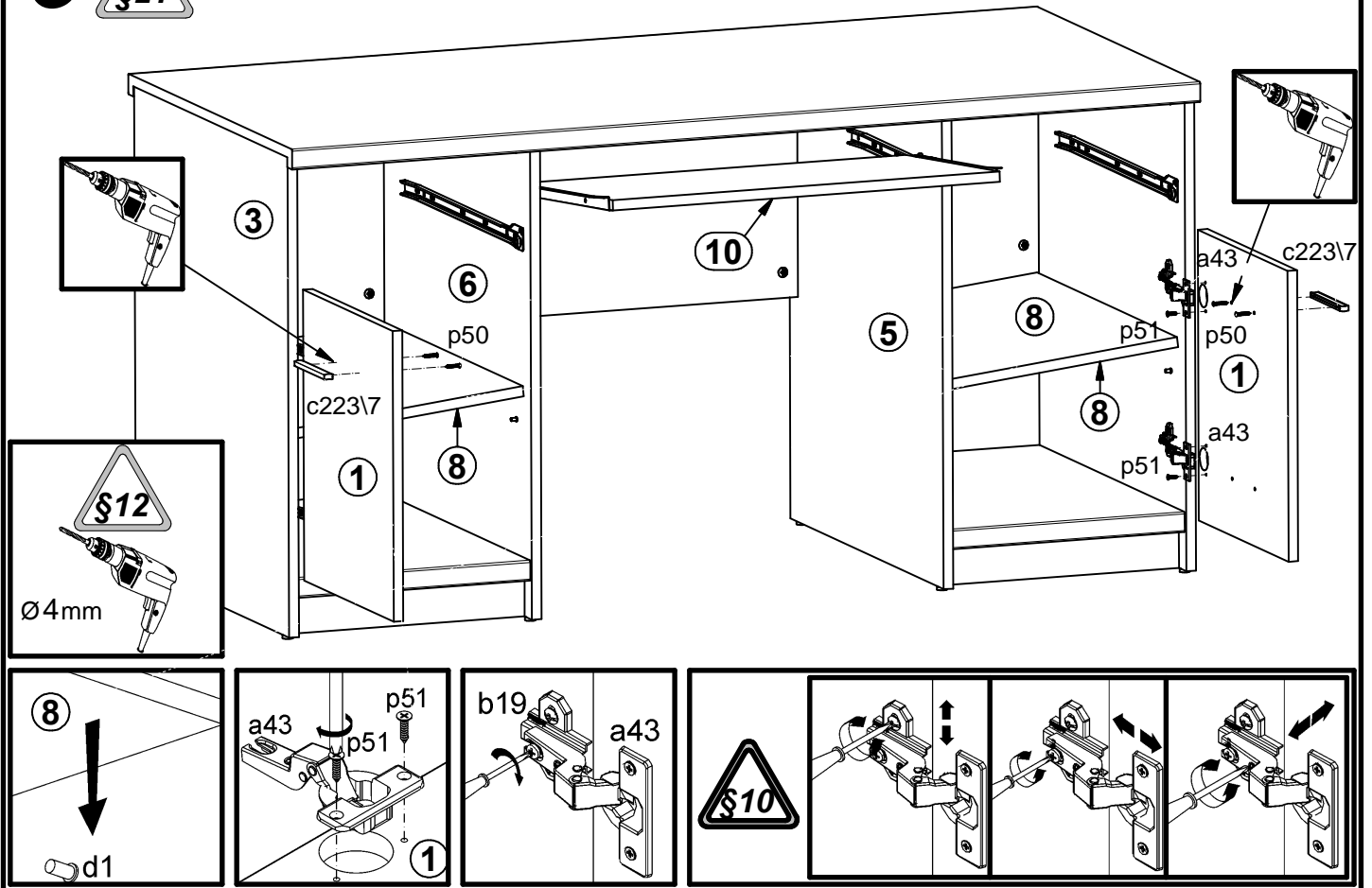
4



5



5



6

