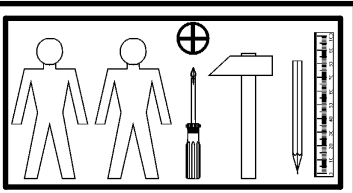
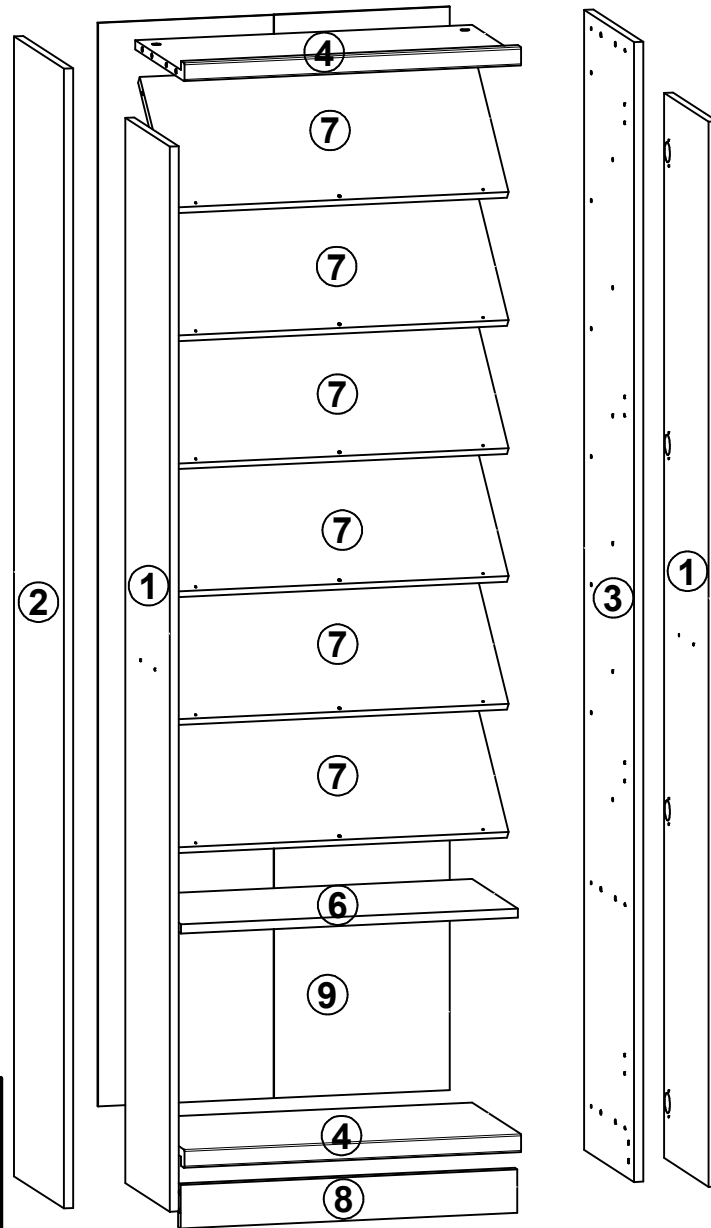
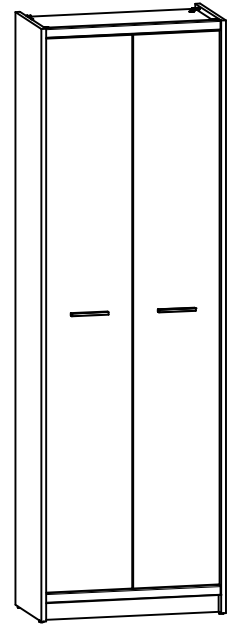


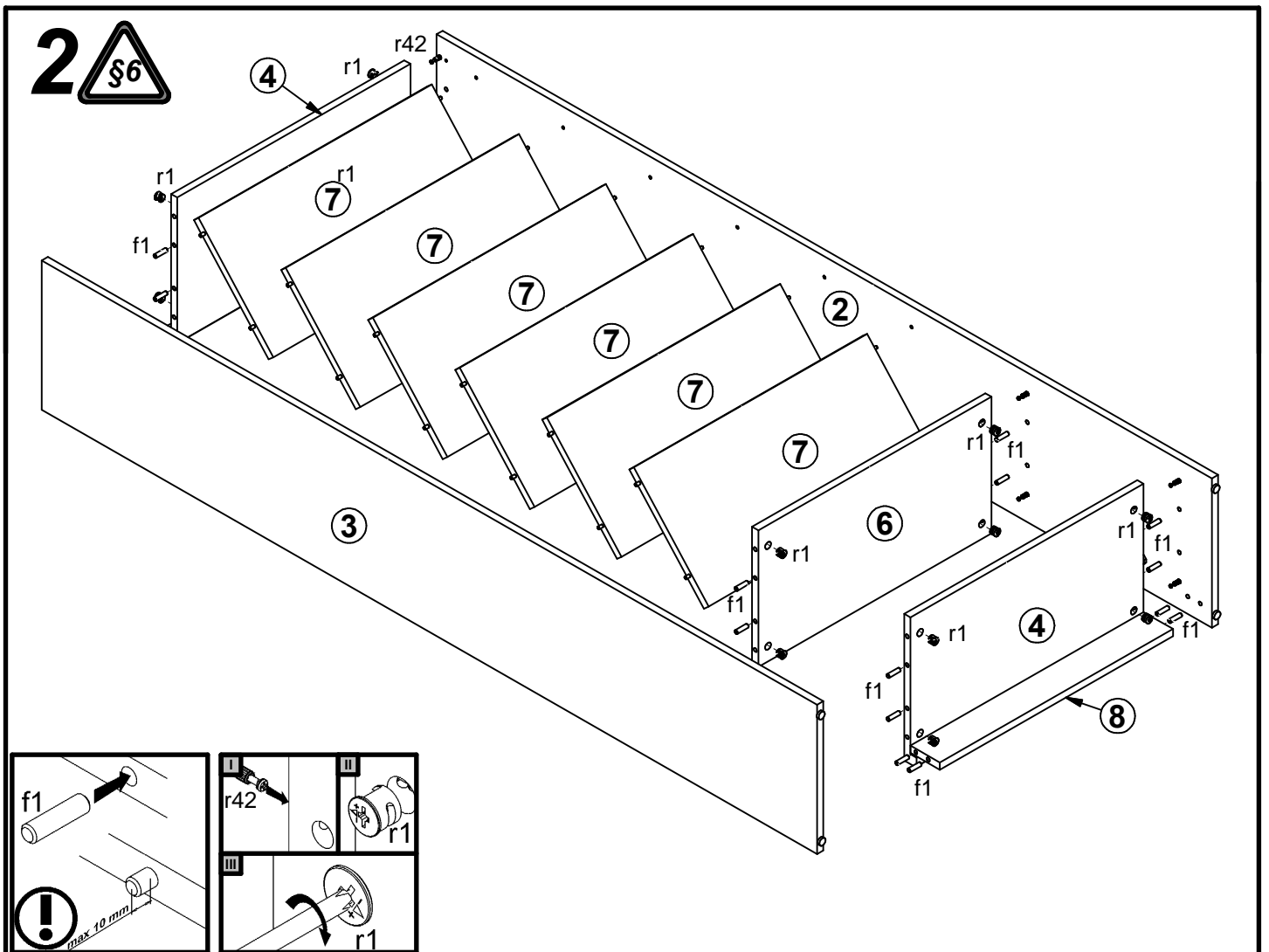
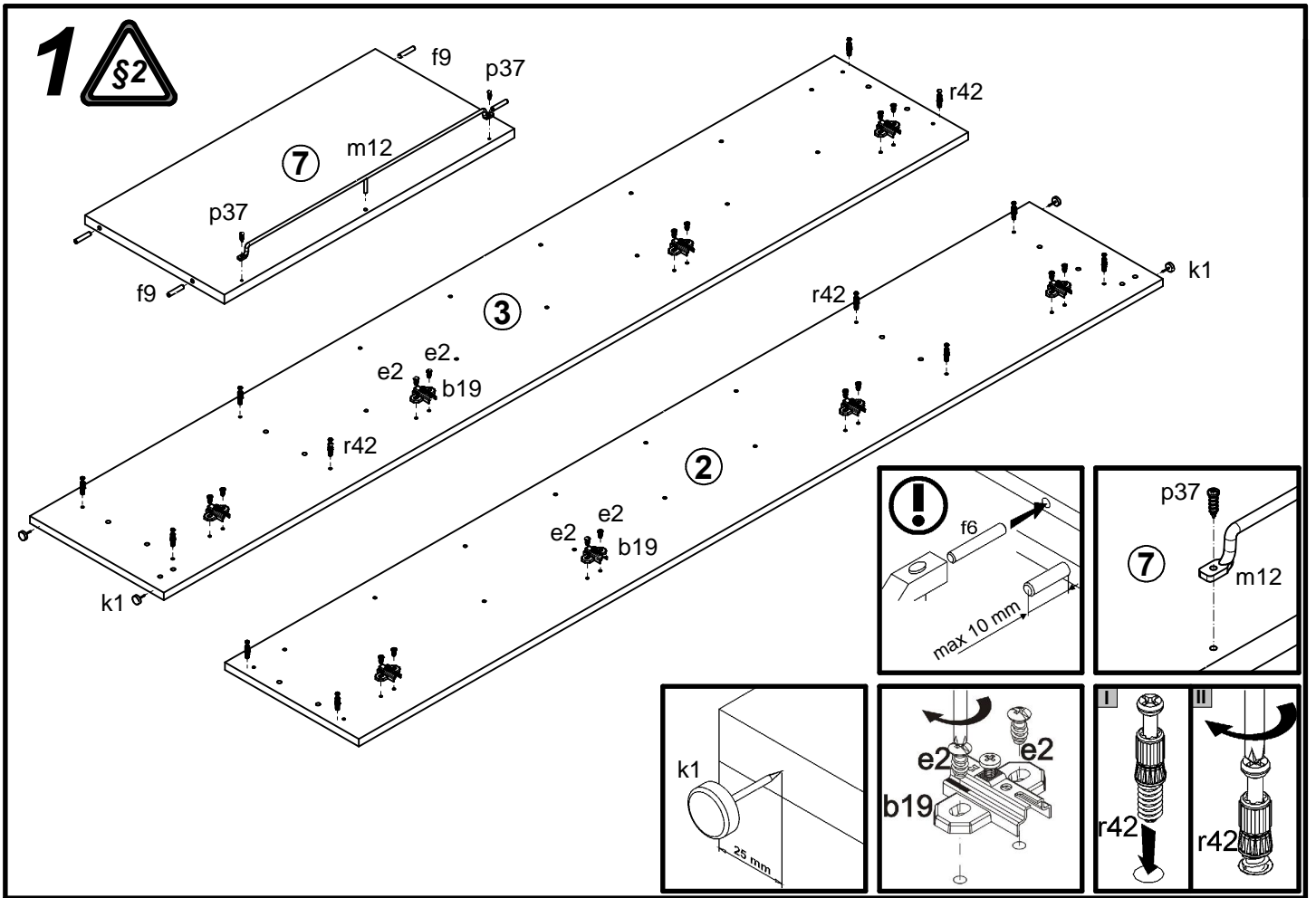
OPEN

S133-SFB2D

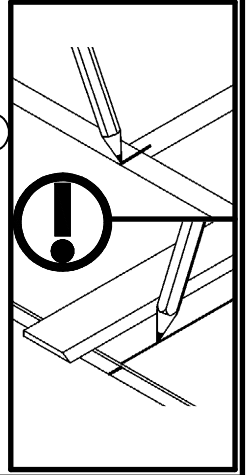
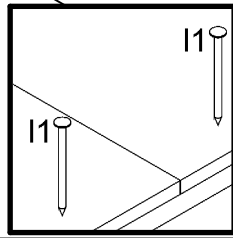
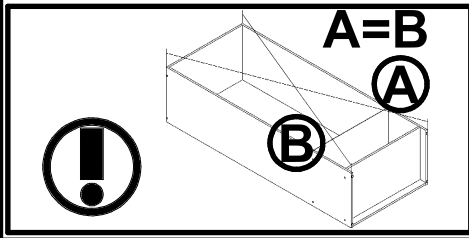
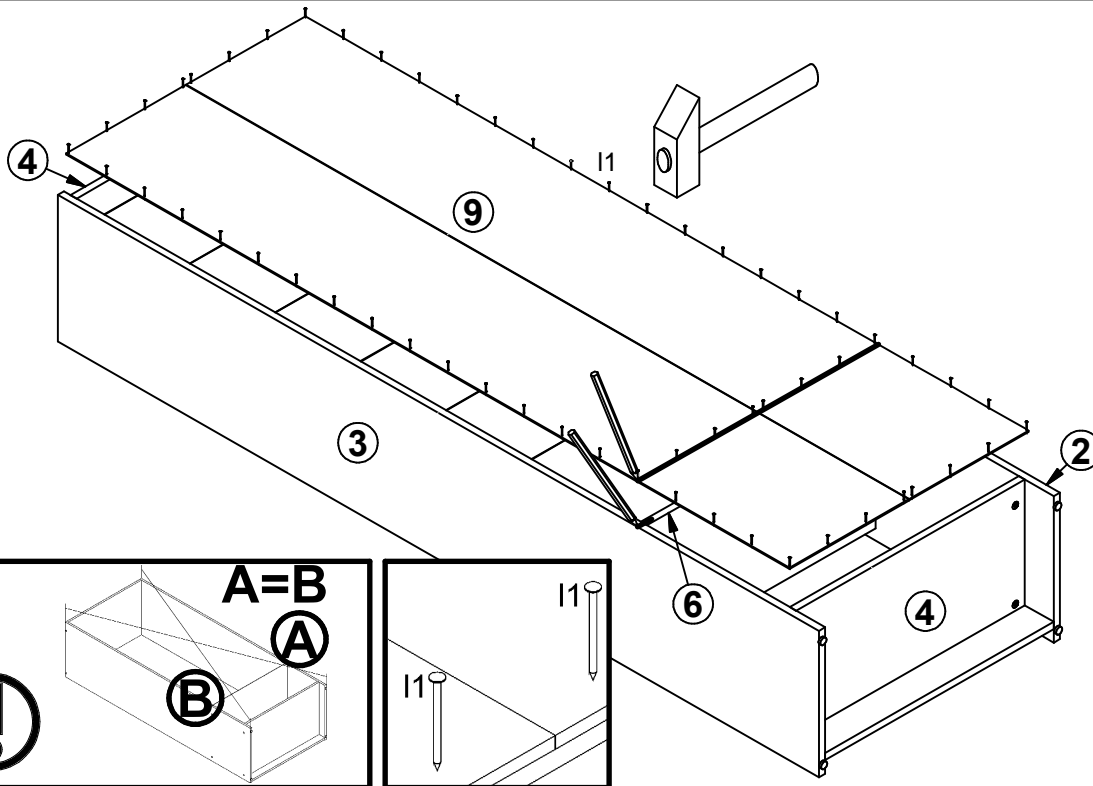
A	B	C	D
1	S133-024	1864	296
2	S133-152	1995	332
3	S133-153	1995	332
4	S133-351	600	326
6	S133-353	600	304
7	S133-354	600	288
8	S133-419	600	76
9	S133-926	1896	627



8x a43	8x b19	2x 128 mm c223/7	16x φ6,3x13 mm e2	16x φ8x30 mm f1	24x φ6x30 mm f9	4x k1	6x 525 mm m12
60x l1	12x φ3x13 mm p37	4x φ2,5x24 mm p50	16x φ3,5x15 mm p51	12x φ1,5x12mm #16 r1	12x r42	1x n26/1	1x φ3,5x16 mm p38



3



4

