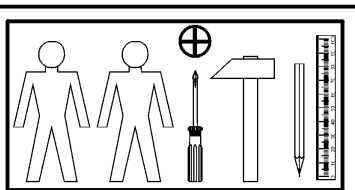
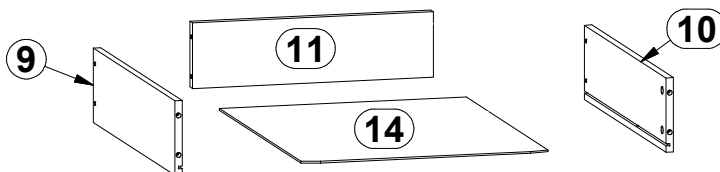
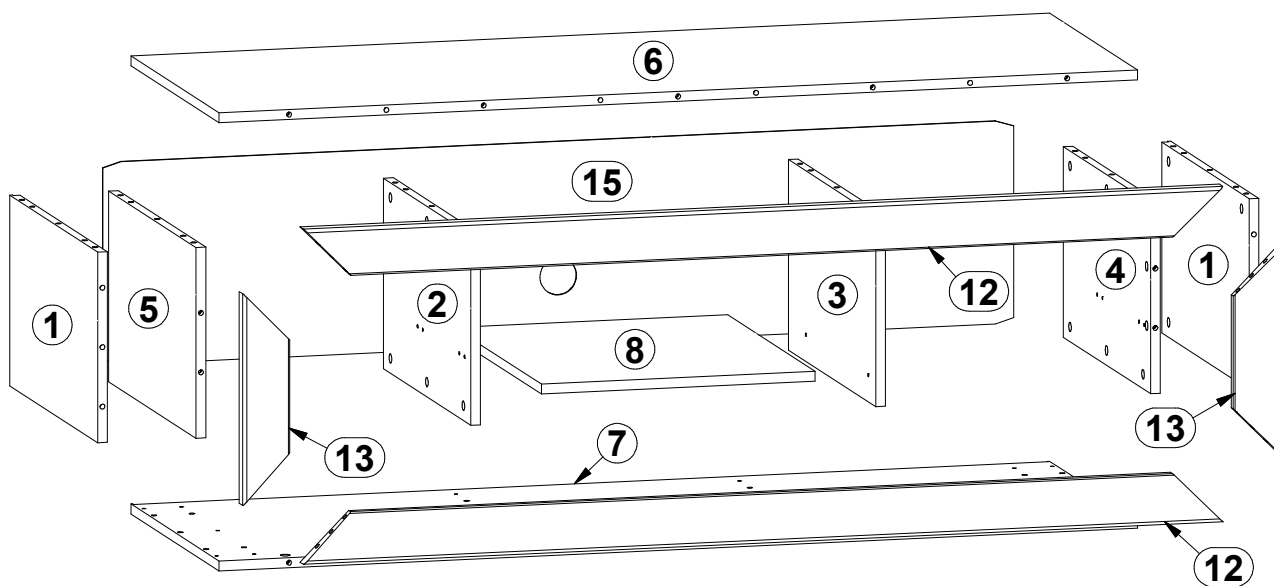
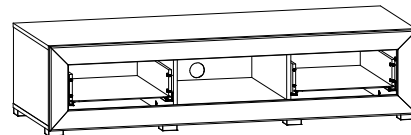
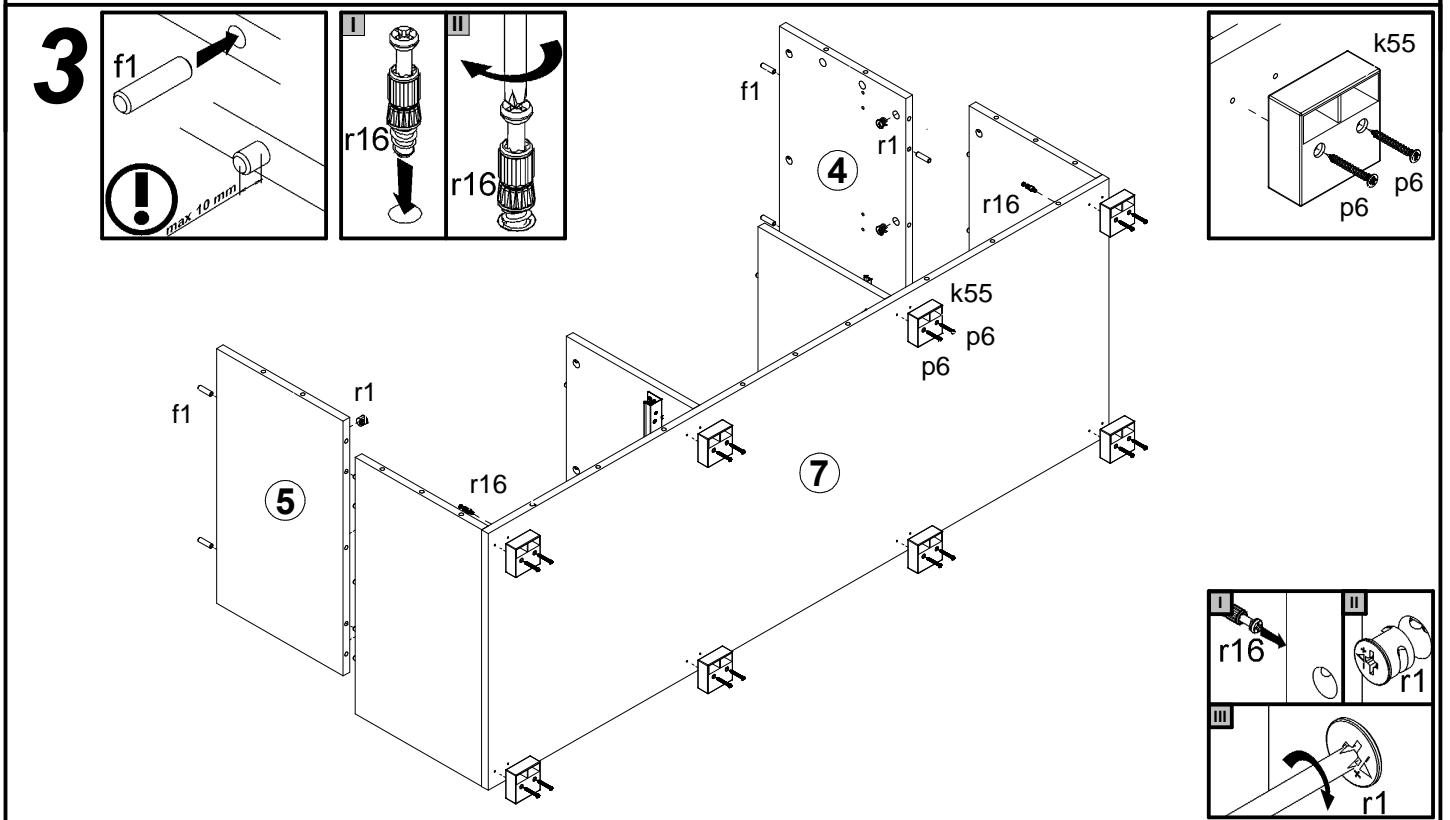
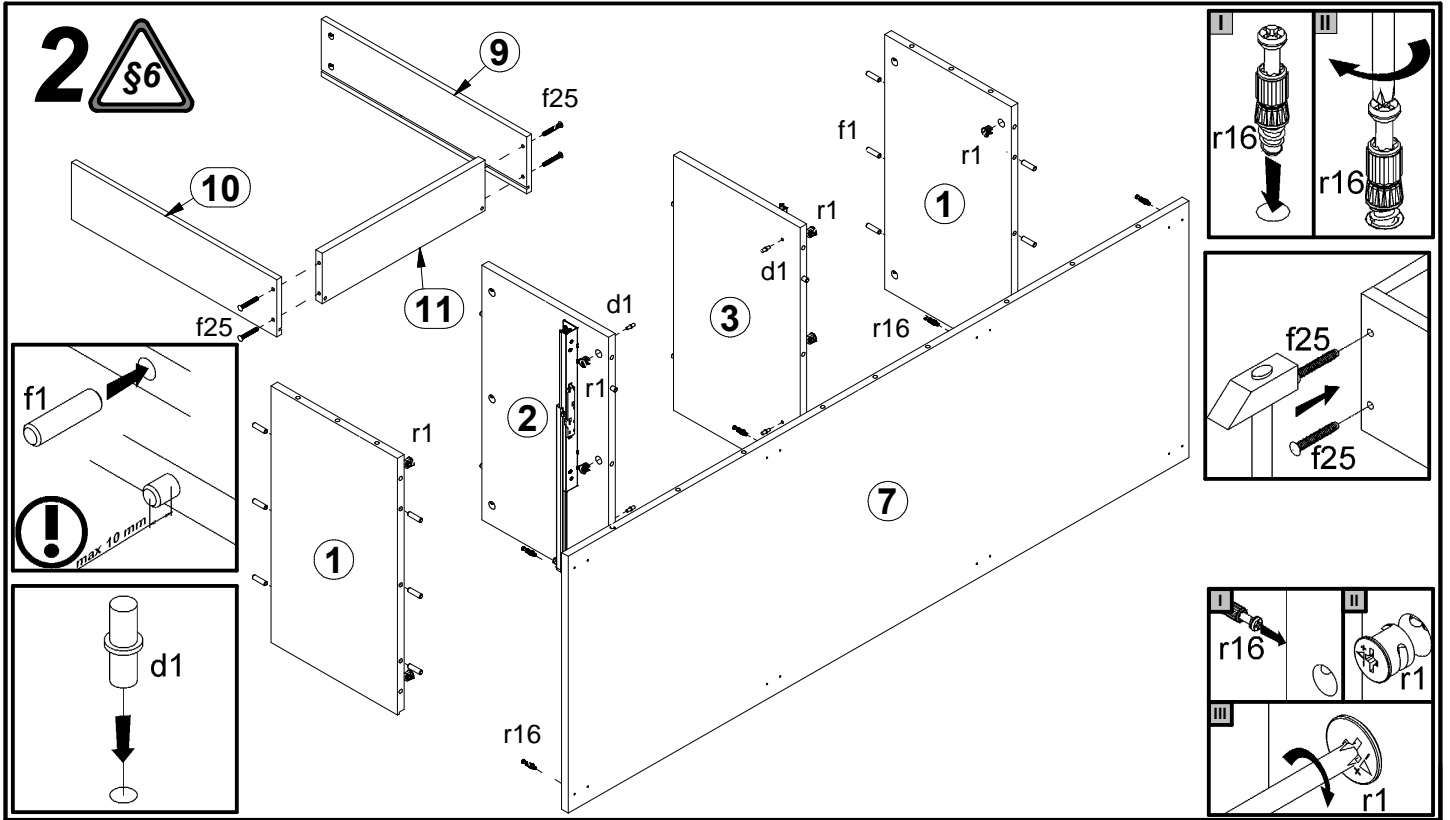
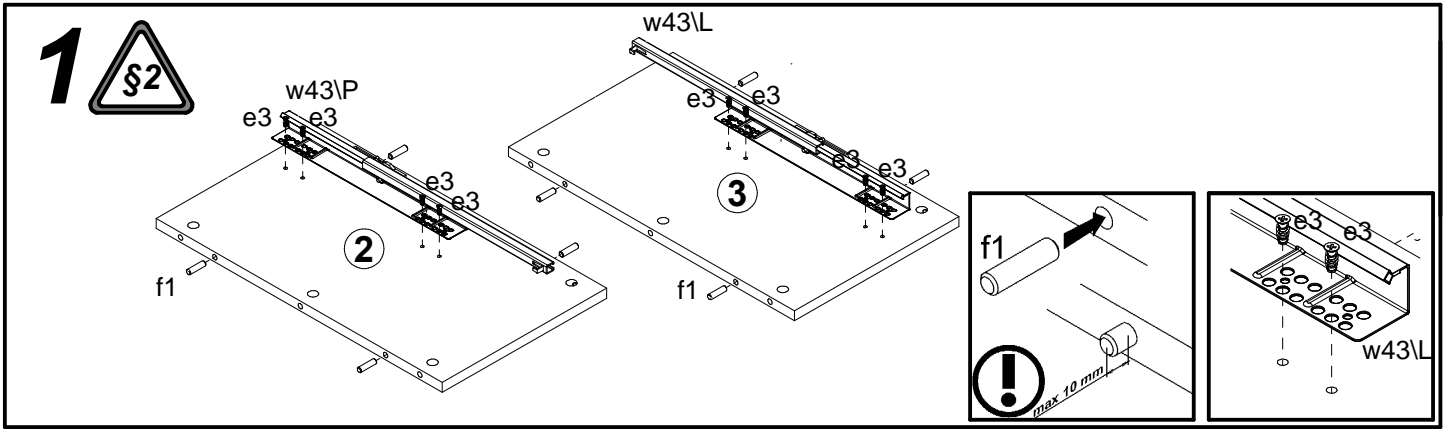
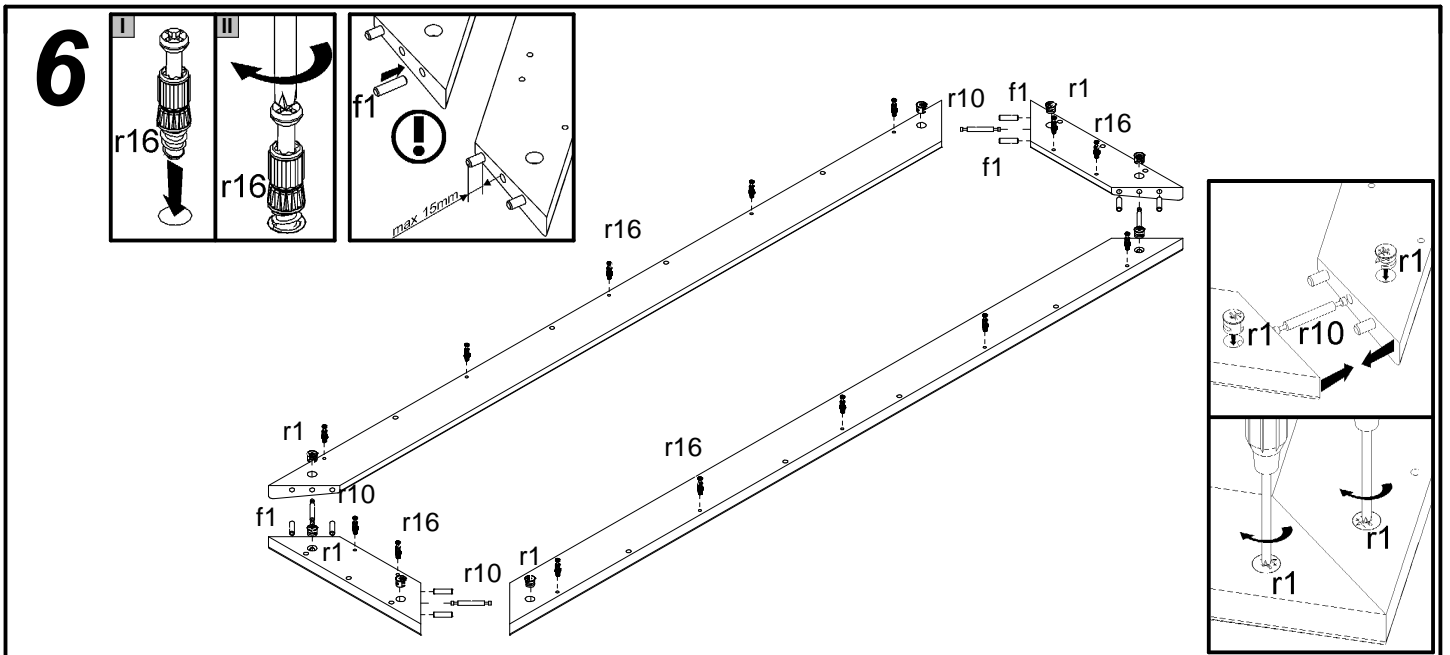
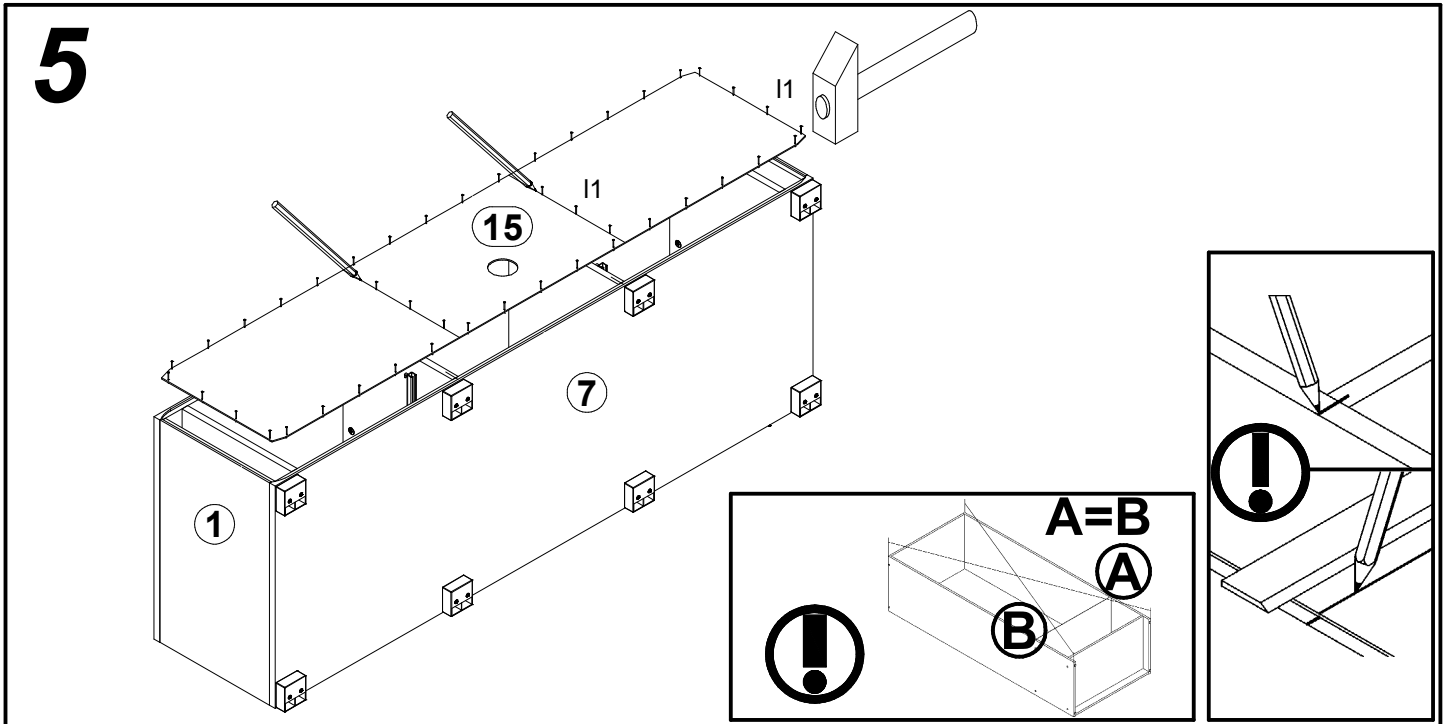
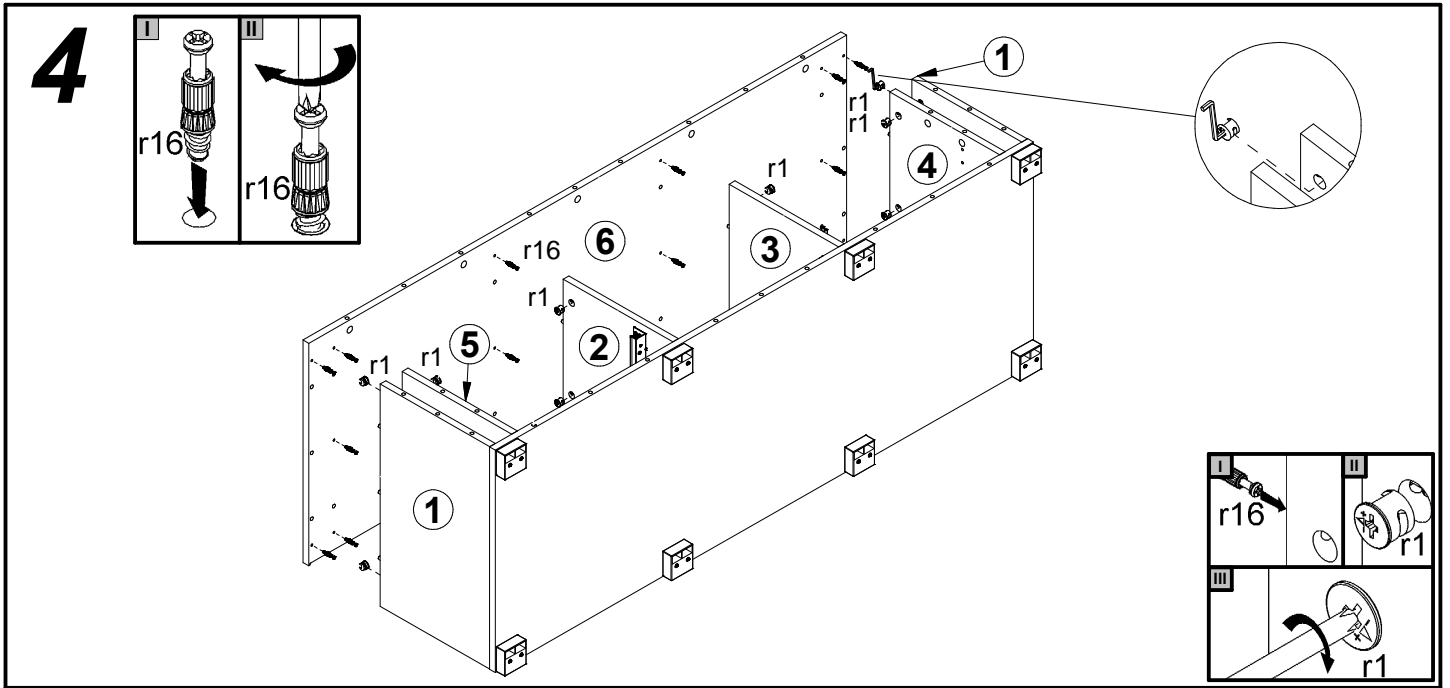


A	B	C	D	
1	S66-115	308	540	1/4
2	S66-116	308	536	1/4
3	S66-117	308	536	1/4
4	S66-118	308	536	1/4
5	S66-119	308	536	1/4
6	S66-207	1511	540	2/4
7	S66-208	1511	540	2/4
8	S66-308	450	536	1/4
9	S66-504	500	120	2/4
10	S66-505	500	120	2/4
11	S66-507	396	106	2/4
12	S66-558	1512	80	3/4
13	S66-559	342	80	3/4 </td
14	S66-909	508	406	2/4
15	S66-910	1498	328	2/4

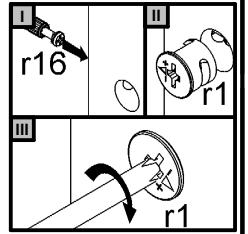
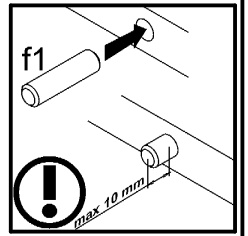
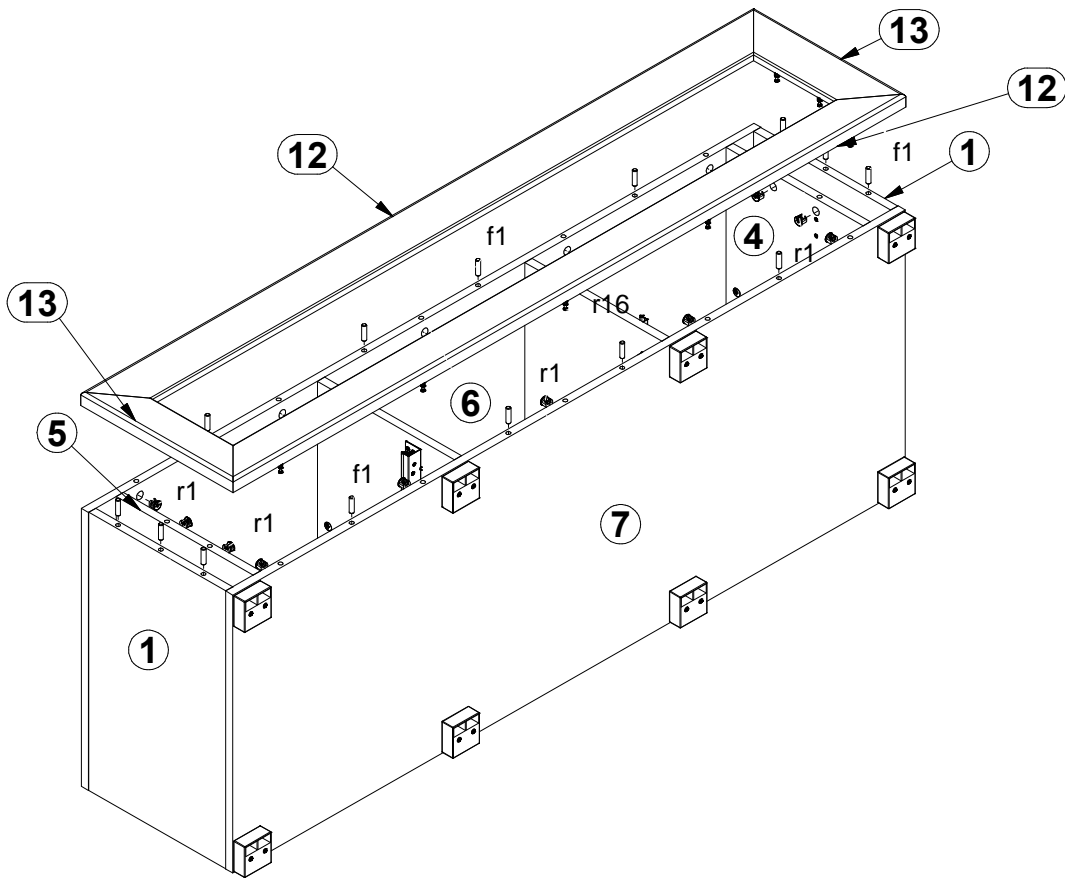


4x $\phi 5 \times 17 \text{ mm}$ <b>d1</b>	16x $\phi 6 \times 13 \text{ mm}$ <b>e3</b>	50x $\phi 8 \times 30 \text{ mm}$ <b>f1</b>	8x $\phi 6.5 \times 40 \text{ mm}$ <b>f25</b>	8x <b>k55</b>	45x <b>l1</b>	16x $\phi 4 \times 35 \text{ mm}$ <b>p6</b>	54x $\phi 1.5 \times 12 \text{ mm} \#16$ <b>r1</b>	4x <b>r10</b>
8x $\phi 12 \times 10.5 \text{ mm} \#12$ <b>r15</b>	54x <b>r16</b>	2x  500 mm <b>w43/L</b>	2x  500 mm <b>w43/P</b>	1x <b>z1</b>				





# 7



# 8

