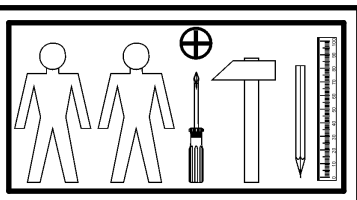
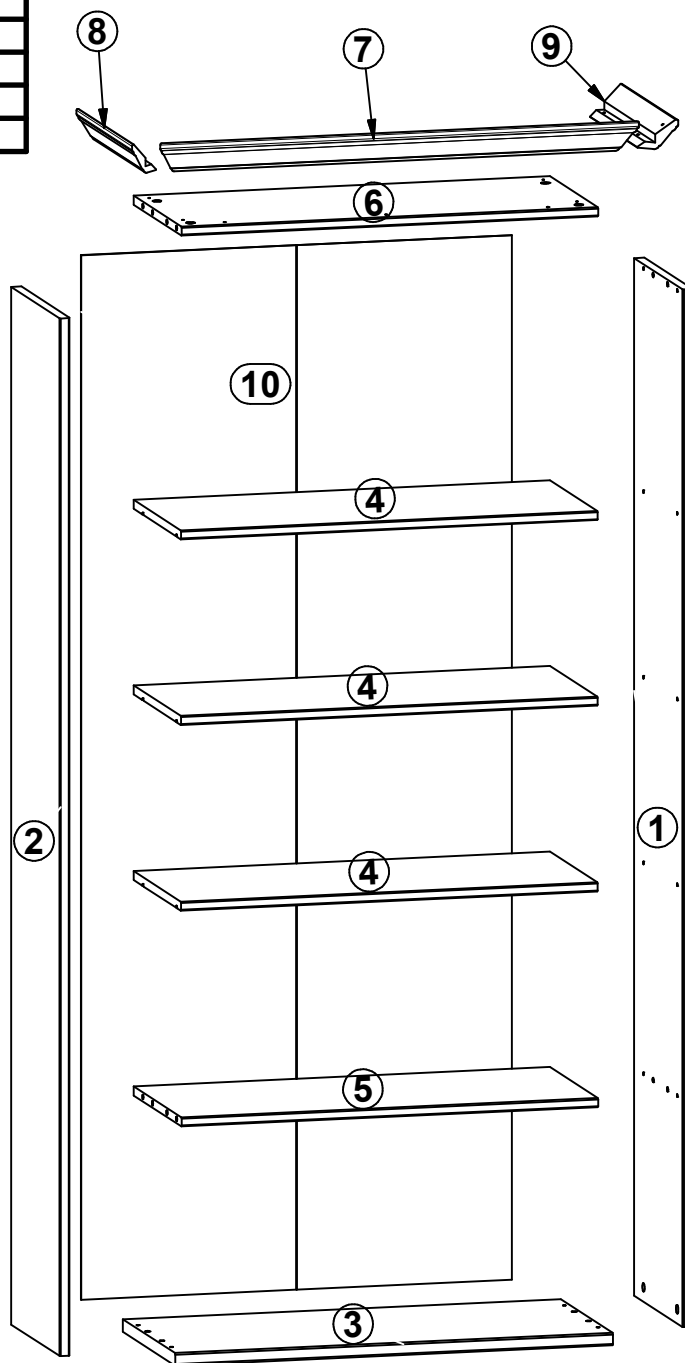
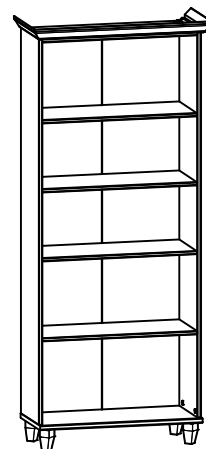
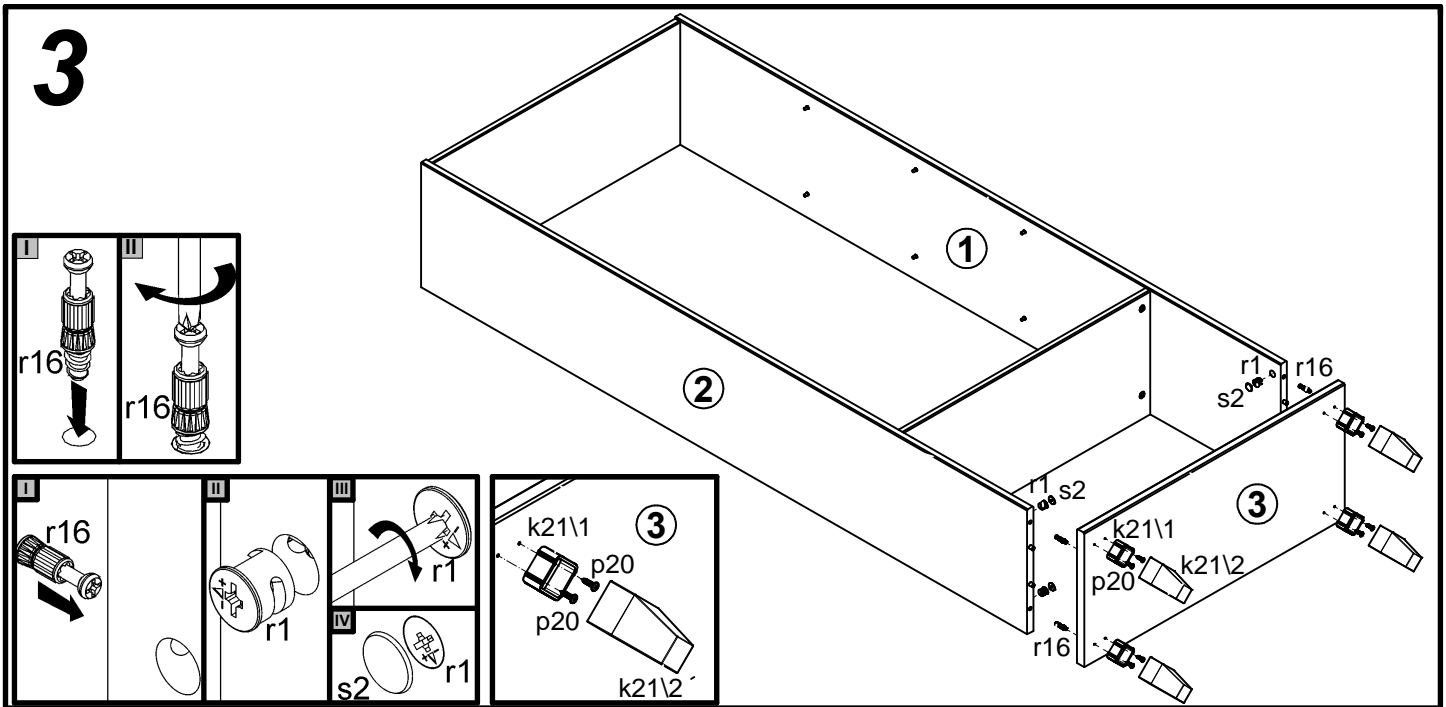
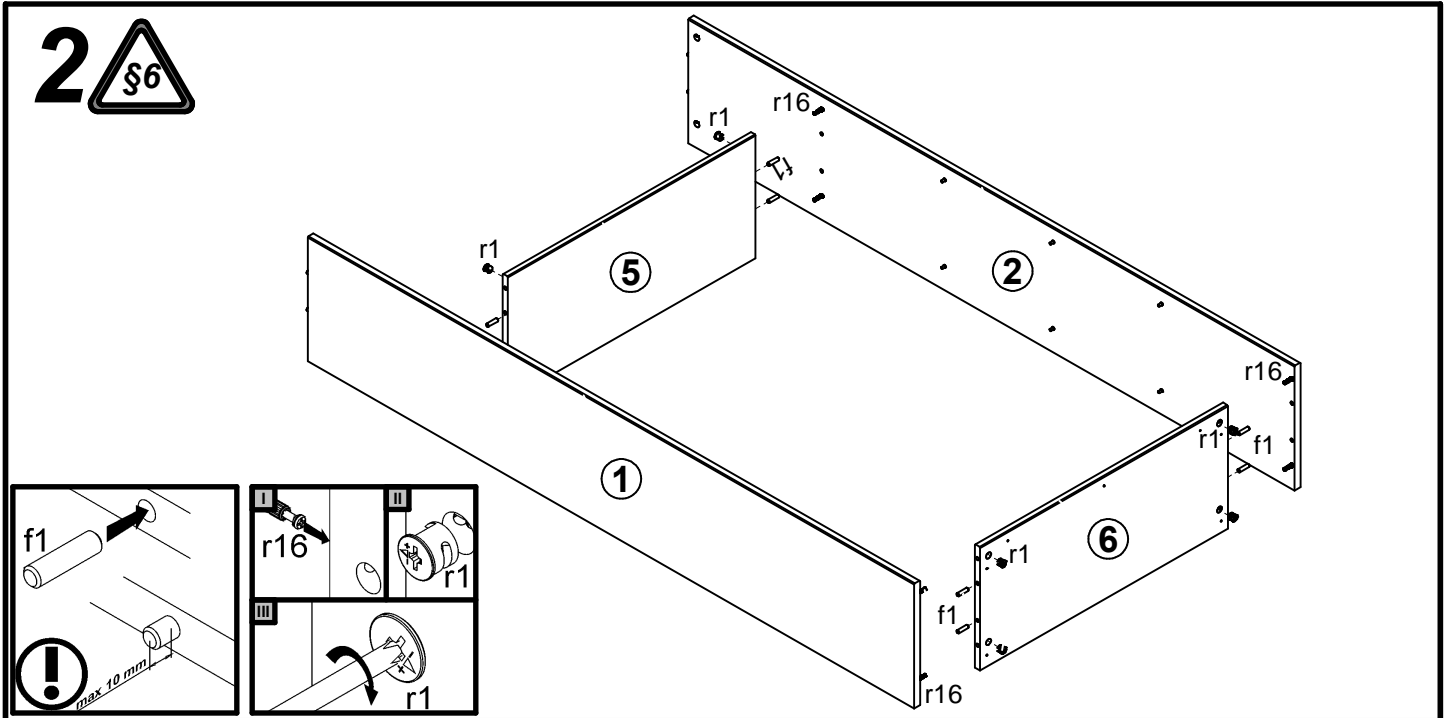
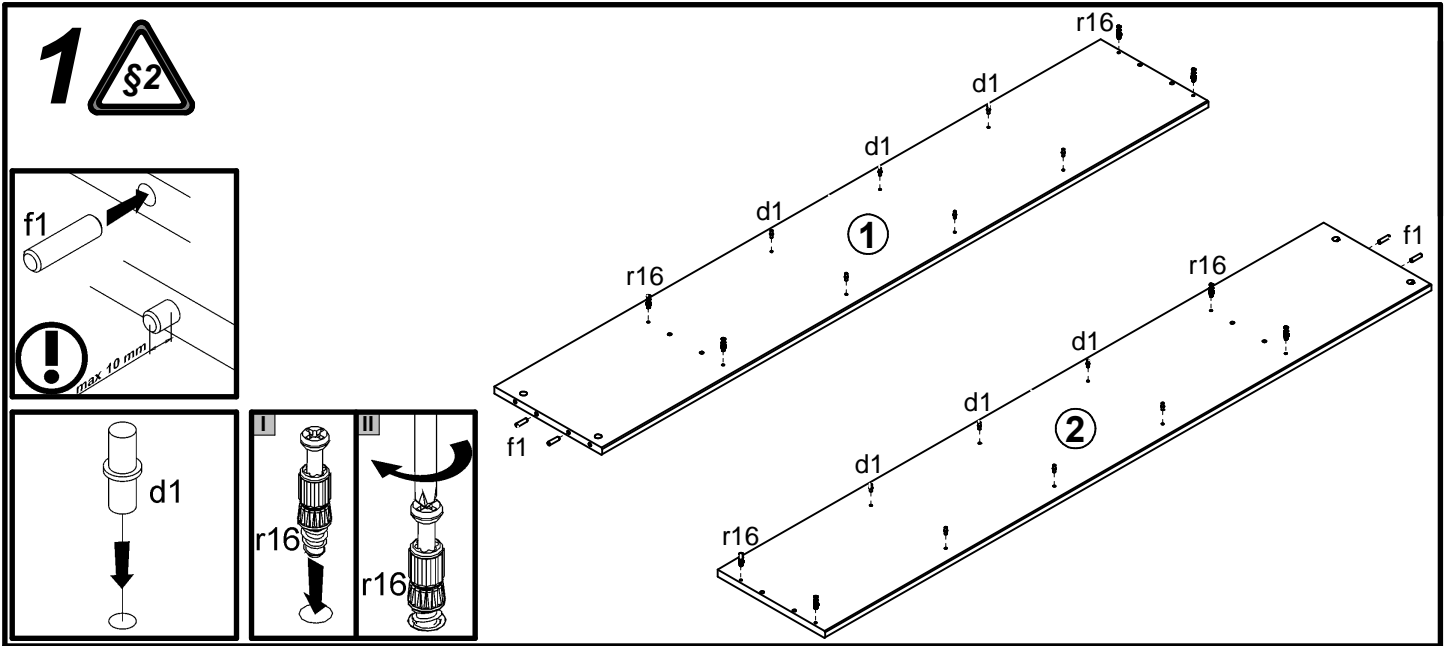


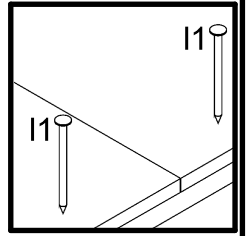
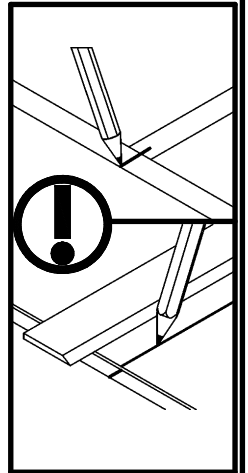
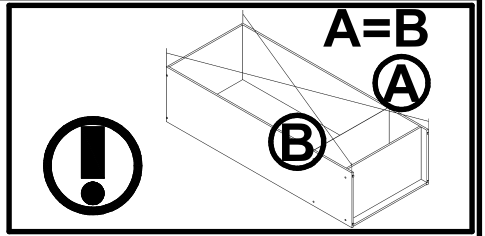
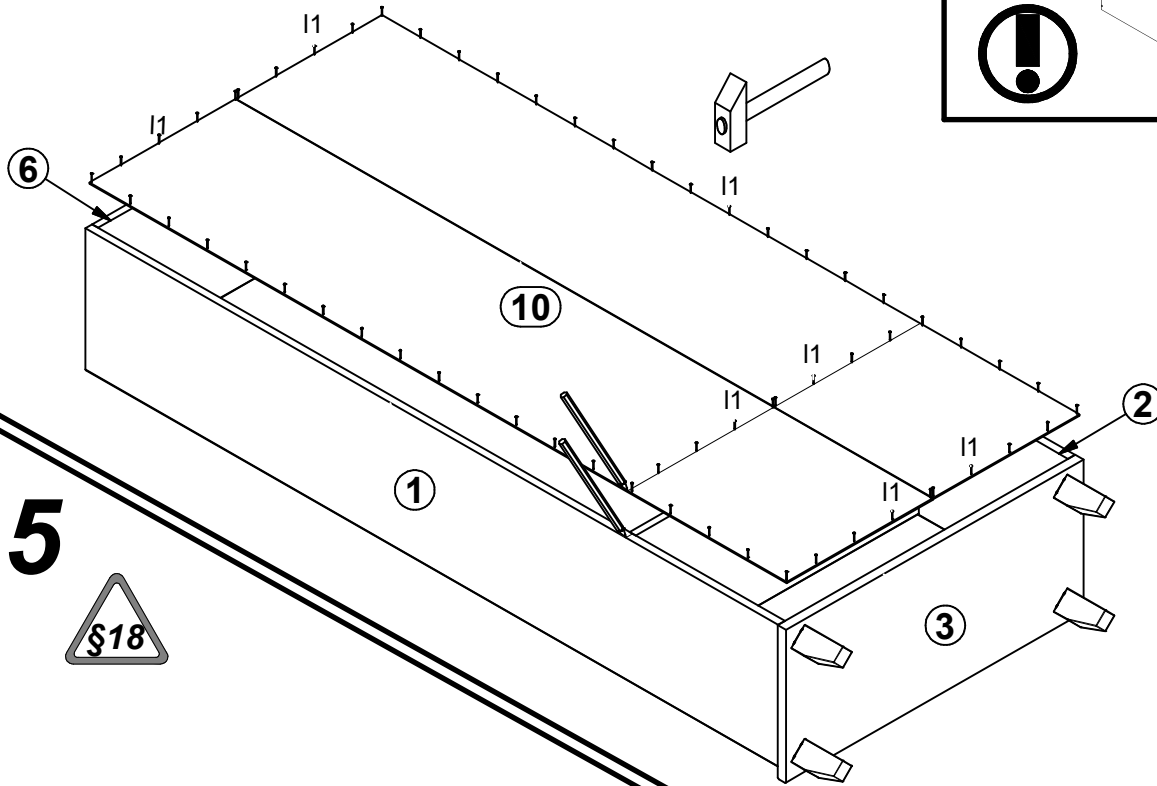
A	B	C	D
1	SG1-112	1816	323
2	SG1-136	1816	323
3	SG1-201	780	348
4	SG1-329	742	317
5	SG1-331	742	320
6	SG1-332	742	320
7	SG1-519	853	79
8	SG1-573	370	79
9	SG1-574	370	79
10	SG1-9901	1828	767



12x φ5x17 mm d1	12x φ8x30 mm f1	4x k21\1	4x k21\2	65x l1	7x 50x12x13,5/1,5mm n54	2x 26x26x16/1 - 125° n40	8x φ3,5x20 mm p20	7x φ3,5x10 mm p35
7x φ3,5x16 mm p38	4x φ3x7 mm p46	12x φ15x12mm #16 r1	12x r16	4x ø16 s2	1x n26\1	1x φ3,5x16 mm p38		



4



5

