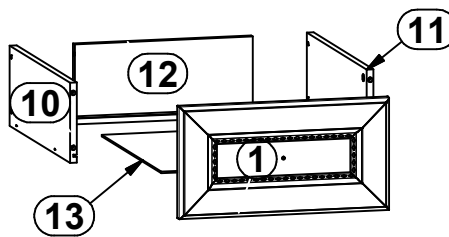
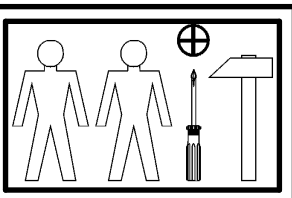
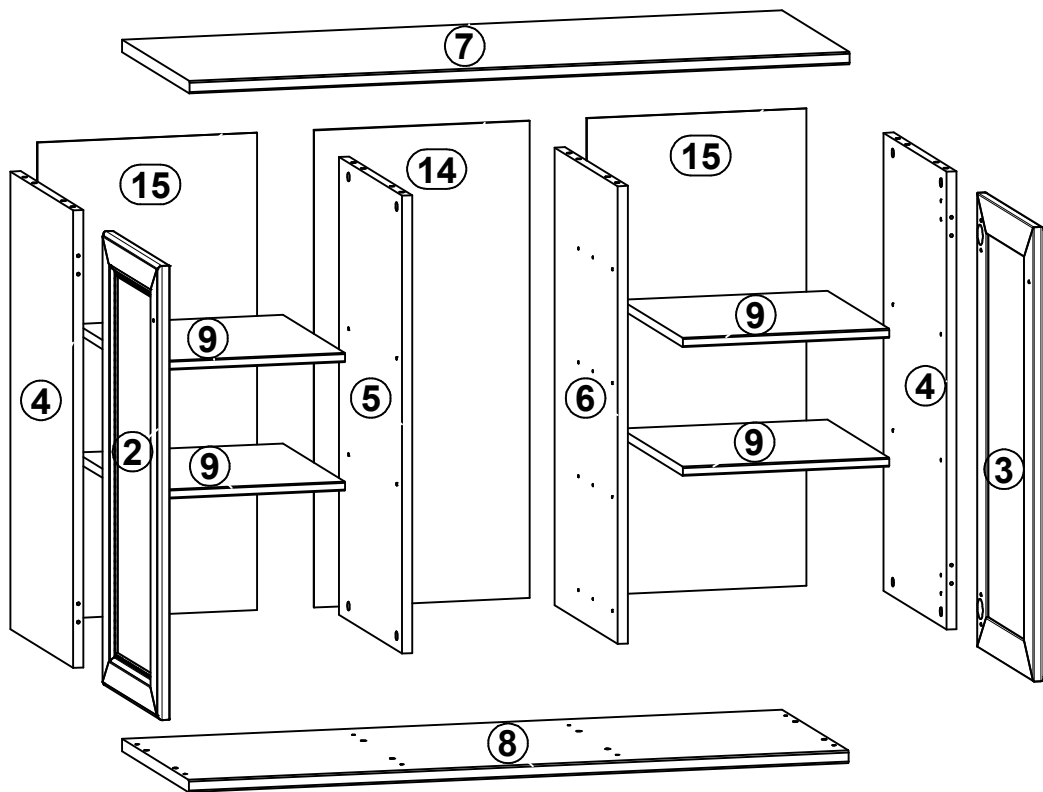
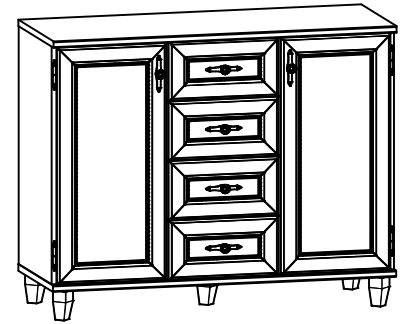


N. York

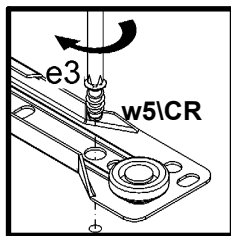
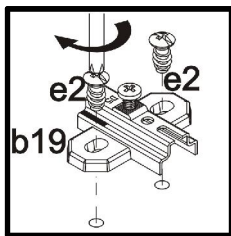
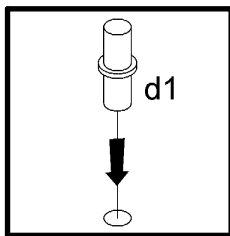
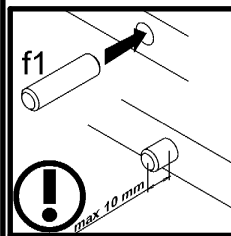
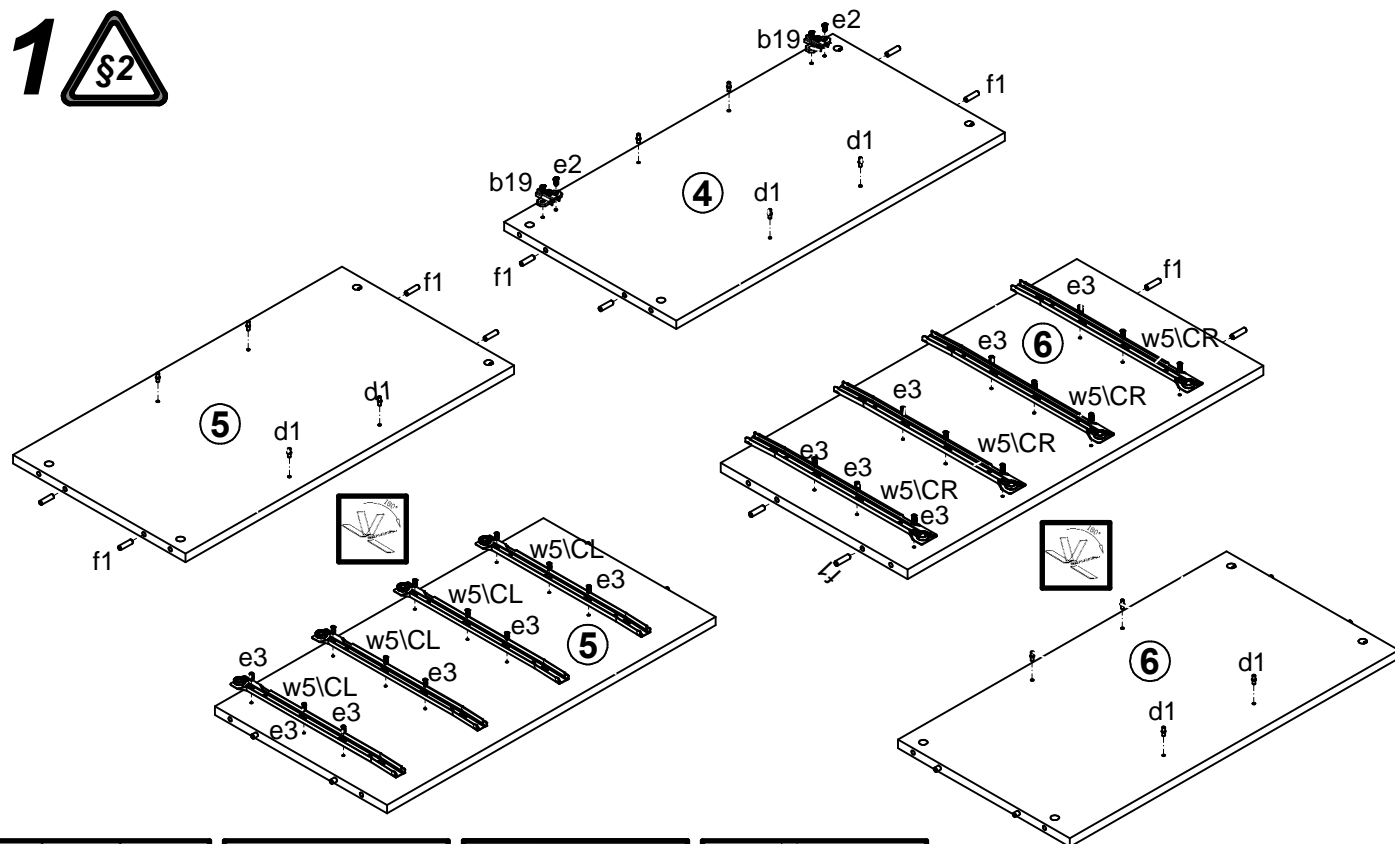
GKOM 2d4s

A	B	C	D	
1	SG1-019	374	196	4/4
2	SG1-027	794	374	3/4
3	SG1-028	794	374	3/4
4	SG1-126	800	419	1/4
5	SG1-128	800	419	1/4
6	SG1-129	800	419	1/4
7	SG1-214	1176	450	2/4
8	SG1-217	1176	444	2/4
9	SG1-320	368	413	1/4
10	SG1-506	400	140	1/4
11	SG1-507	400	140	1/4
12	SG1-512	317	140	1/4
13	SG1-920	328	398	1/4
14	SG1-921	834	384	1/4
15	SG1-938	834	391	1/4

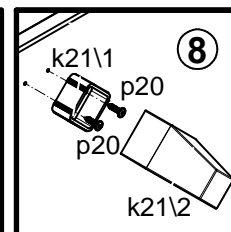
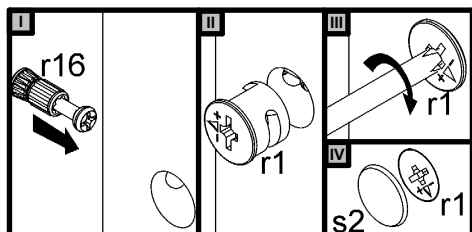
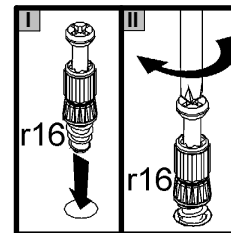
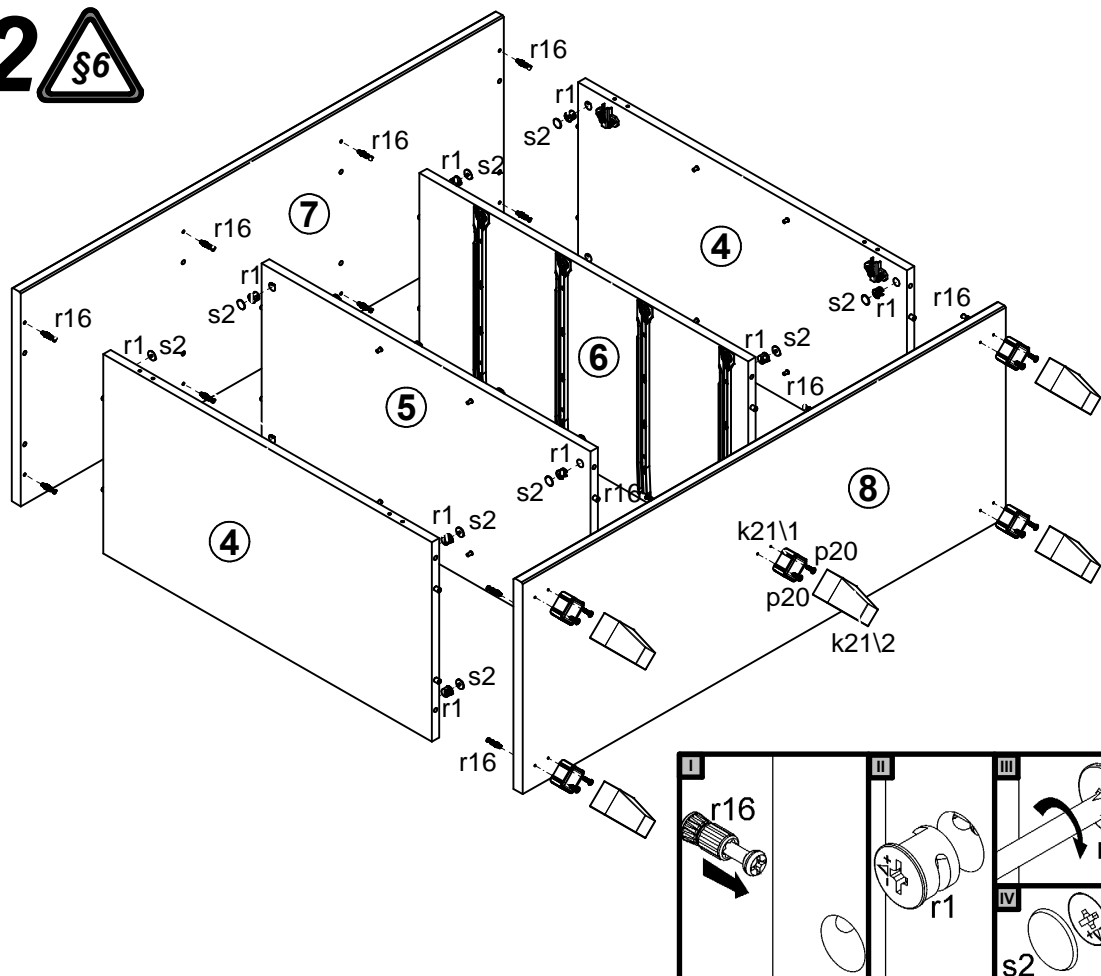


4x 100xø a35	4x a39	4x b19	6x c65\1	6x c65\2	16x ø5x17 mm d1	8x ø6,3x13 mm e2	24x ø6x13 mm e3	8x ø6,3x13 mm e5
16x ø8x30 mm f1	16x ø6,5x40 mm f25	2x M4x30 mm j6	4x M4x14 mm j29	5x k21\1	5x k21\2	75x l1	10x ø3,5x20 mm p20	16x ø3x12 mm p54
16x ø15x12 mm #16 r1	16x ø12x10,5 mm #12 r15	32x r16	16x ø16 s2	4x 400 mm w5\CL	4x 400 mm w5\CR	4x 400 mm w5\DL	4x 400 mm w5\DR	1x n26\1
1x ø3,5x16 mm p38								

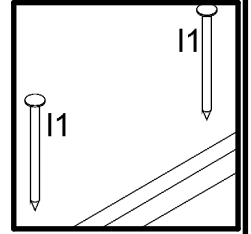
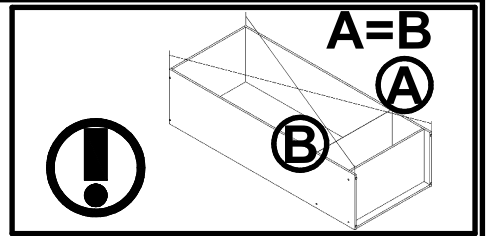
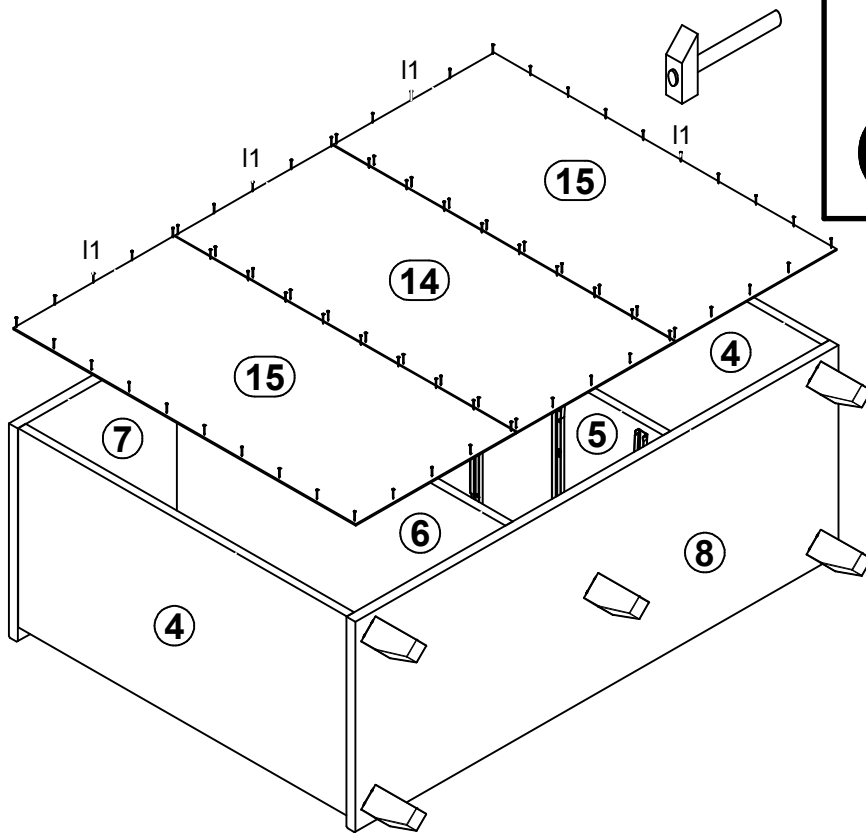
1



2

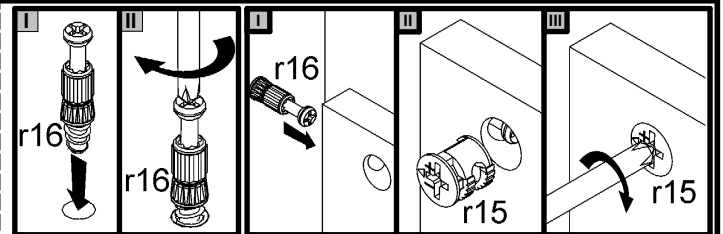
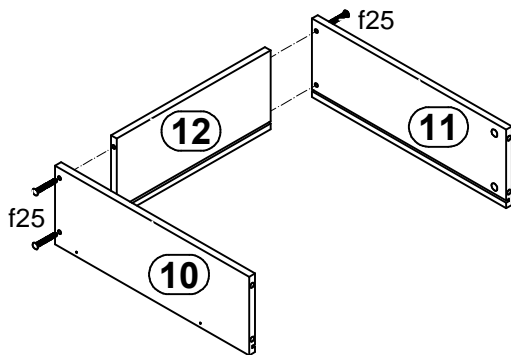


3

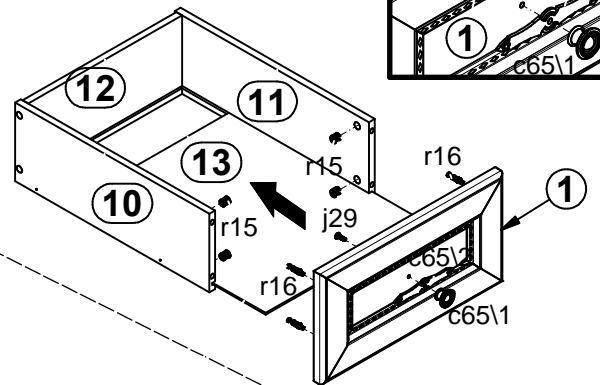
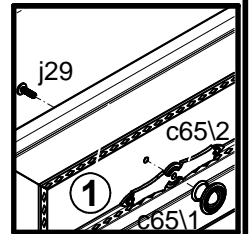


4

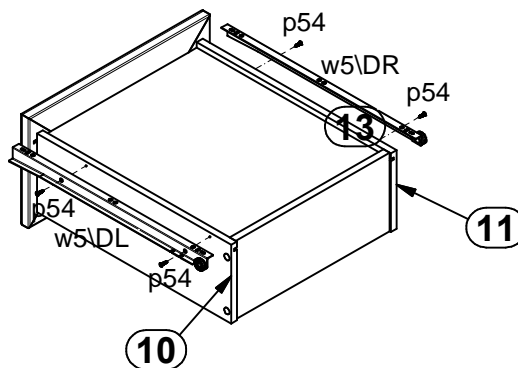
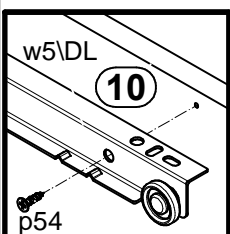
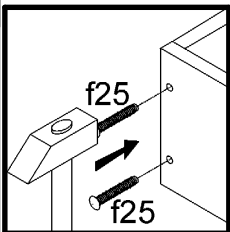
I



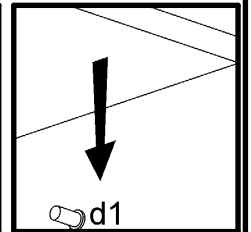
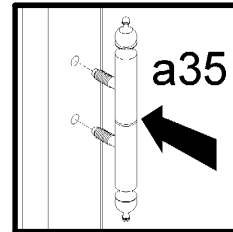
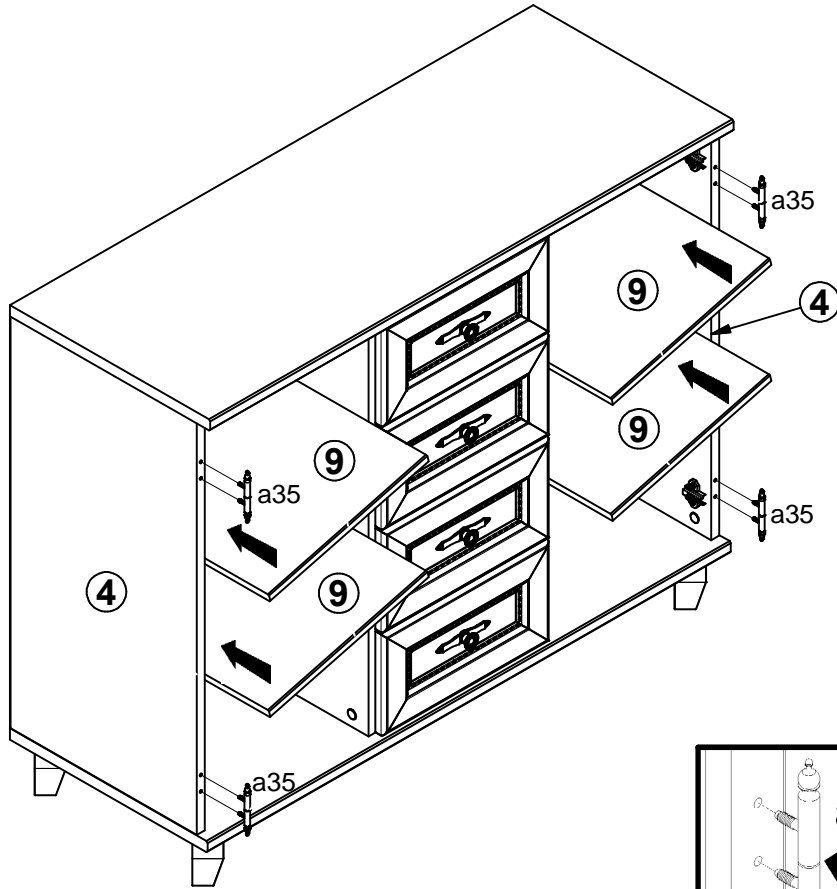
II



III



5



6

