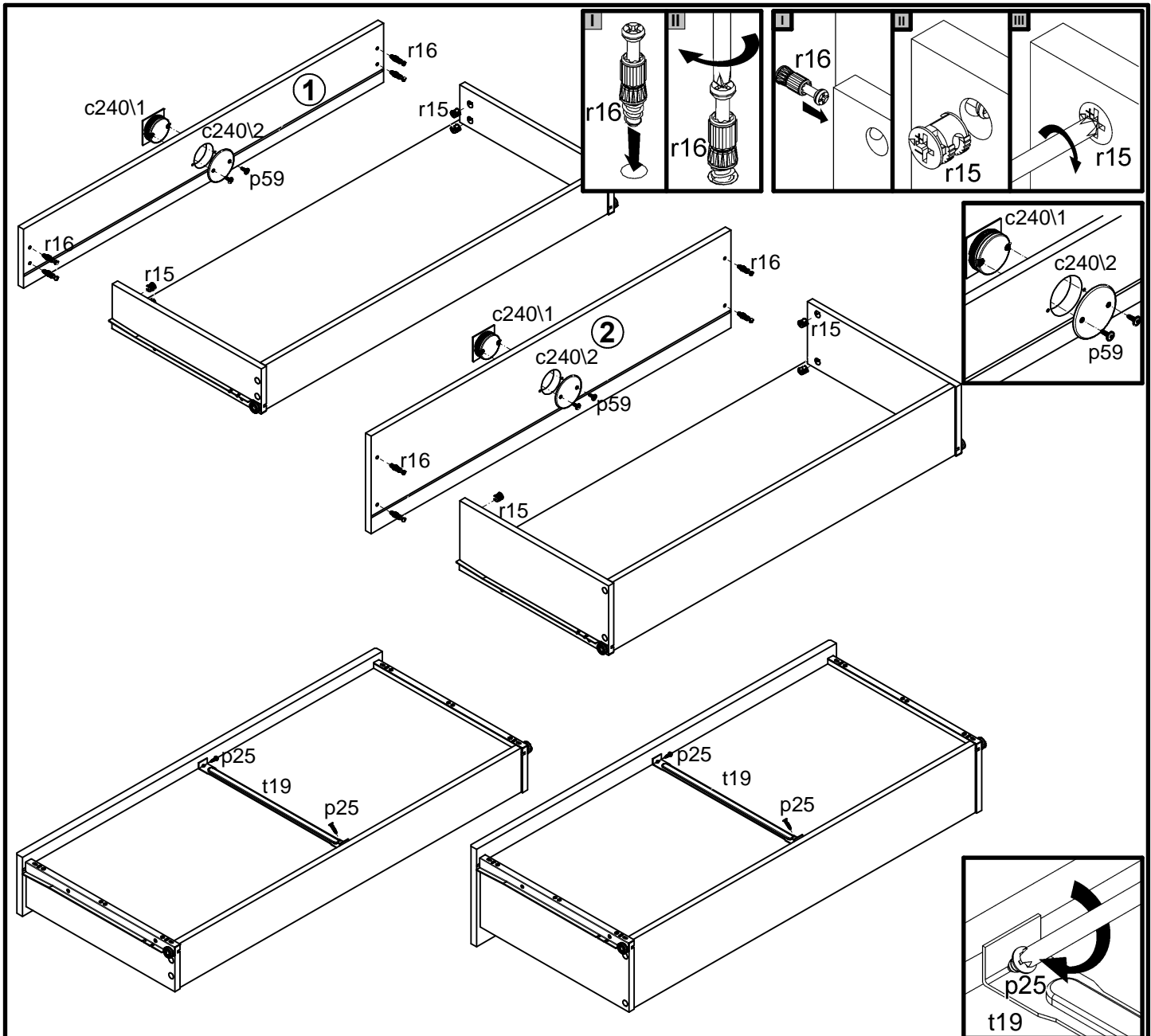
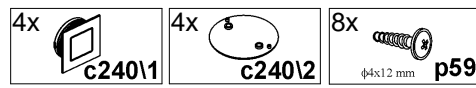
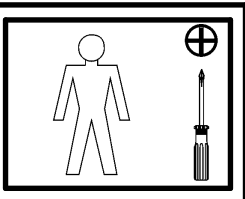
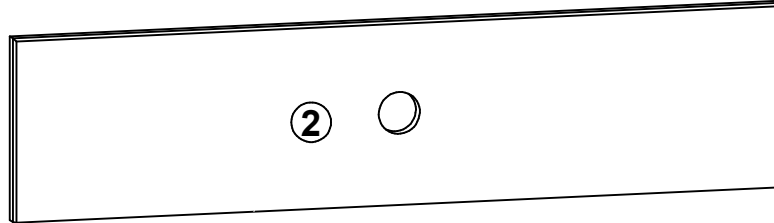
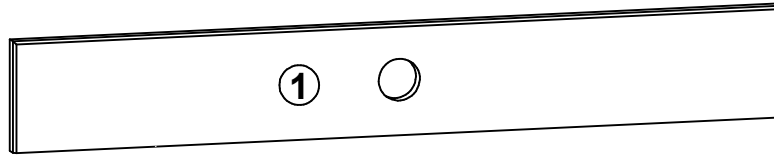
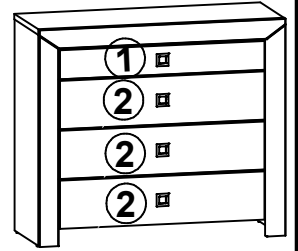


# MEZO

# S82-KOM4S/9/10 - FR1

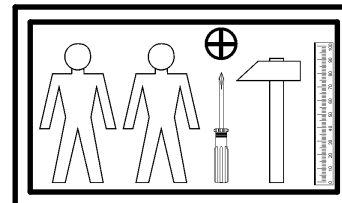
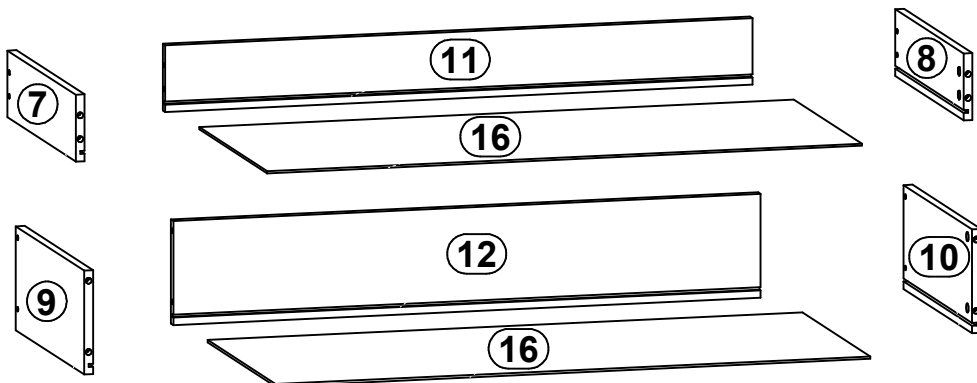
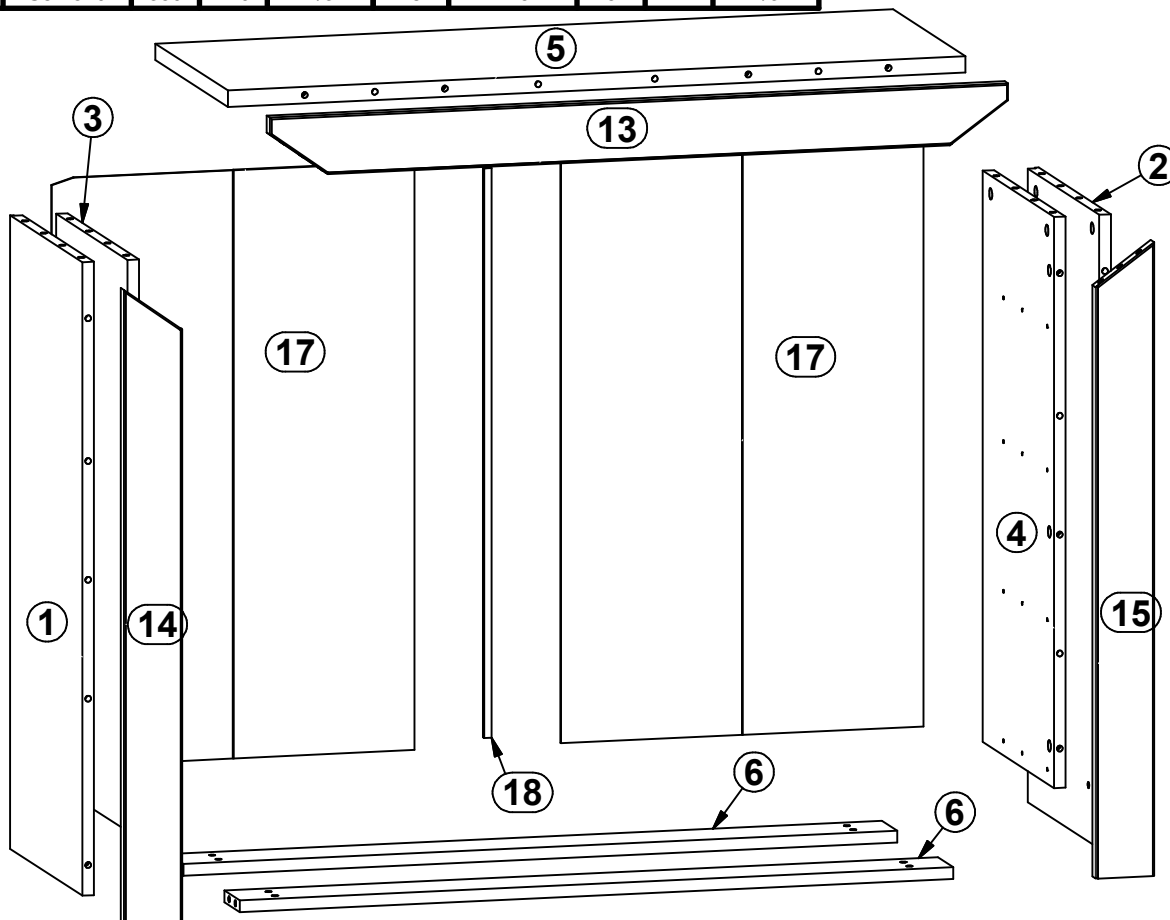
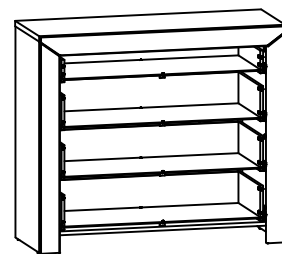
A	B	C	D
1	S82-011	846	120
2	S82-012	846	198



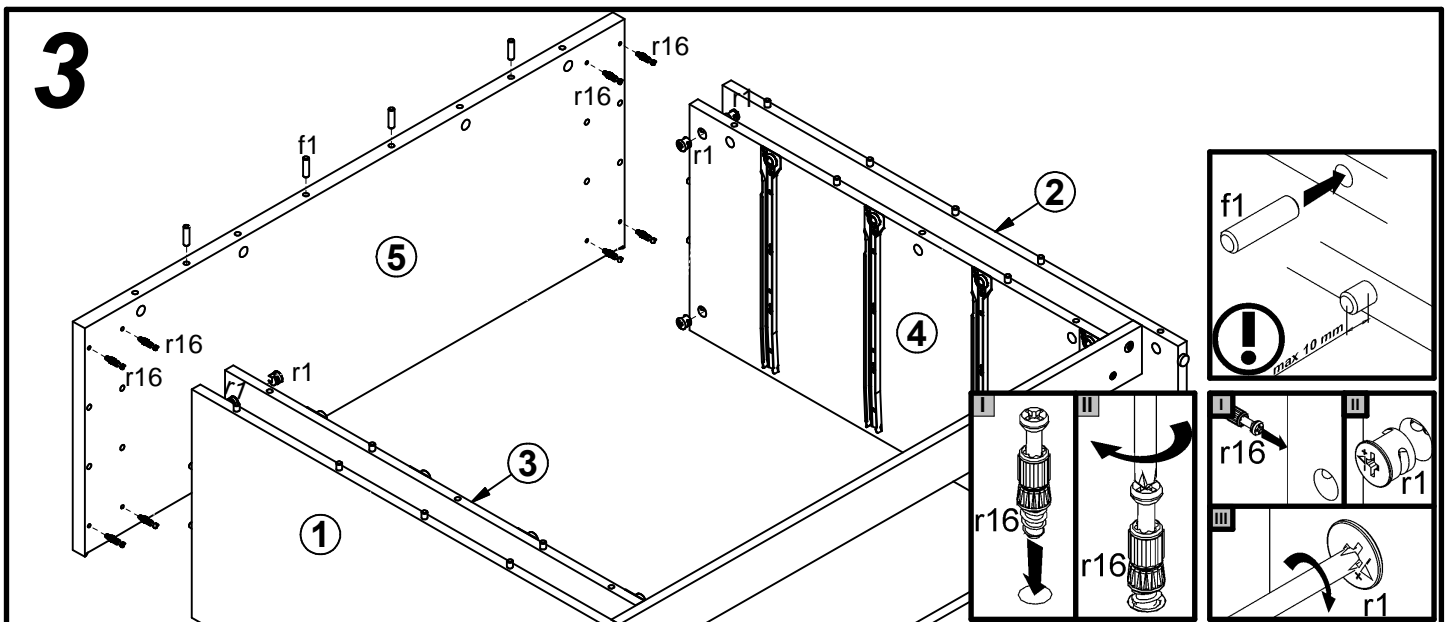
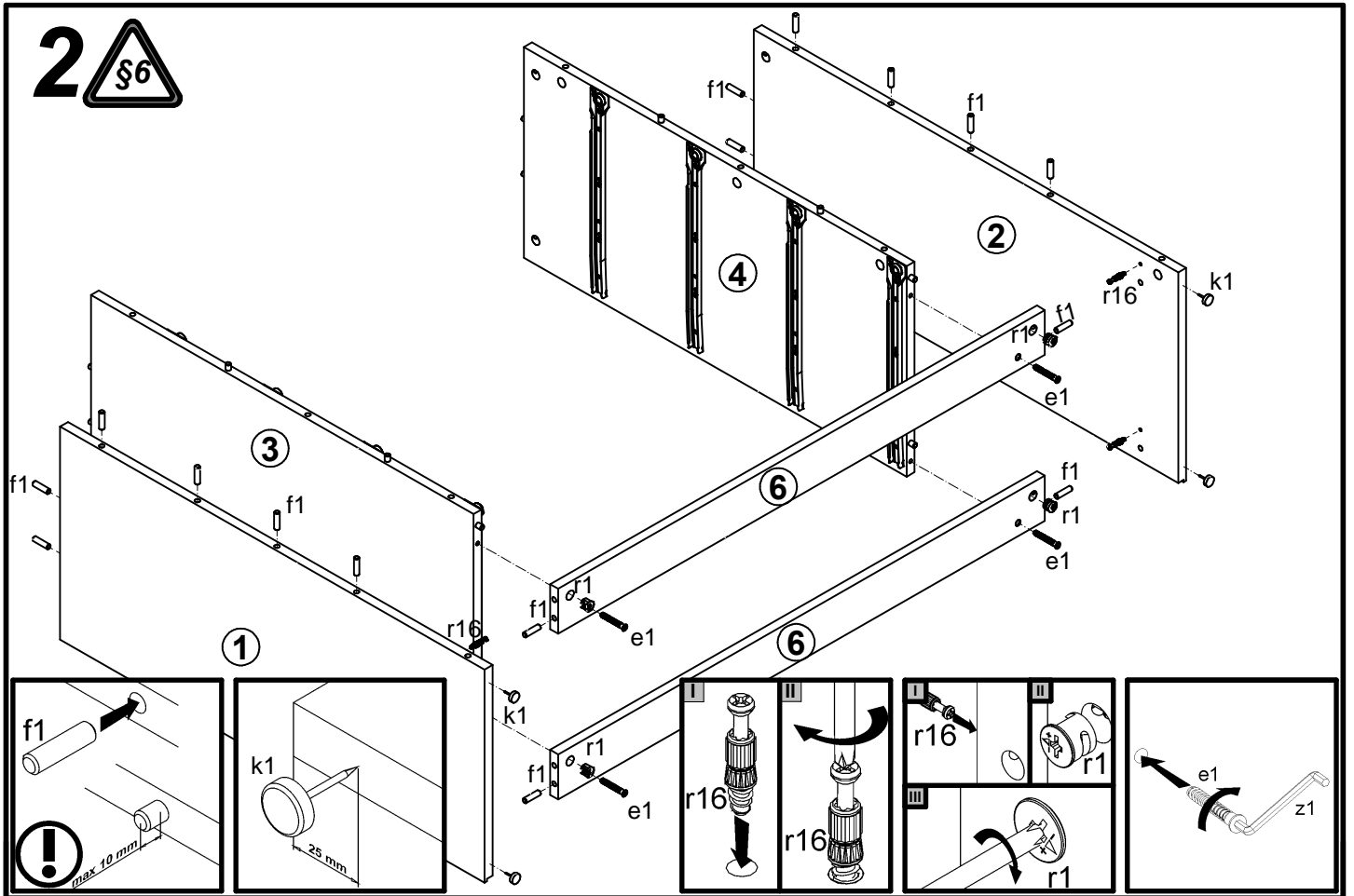
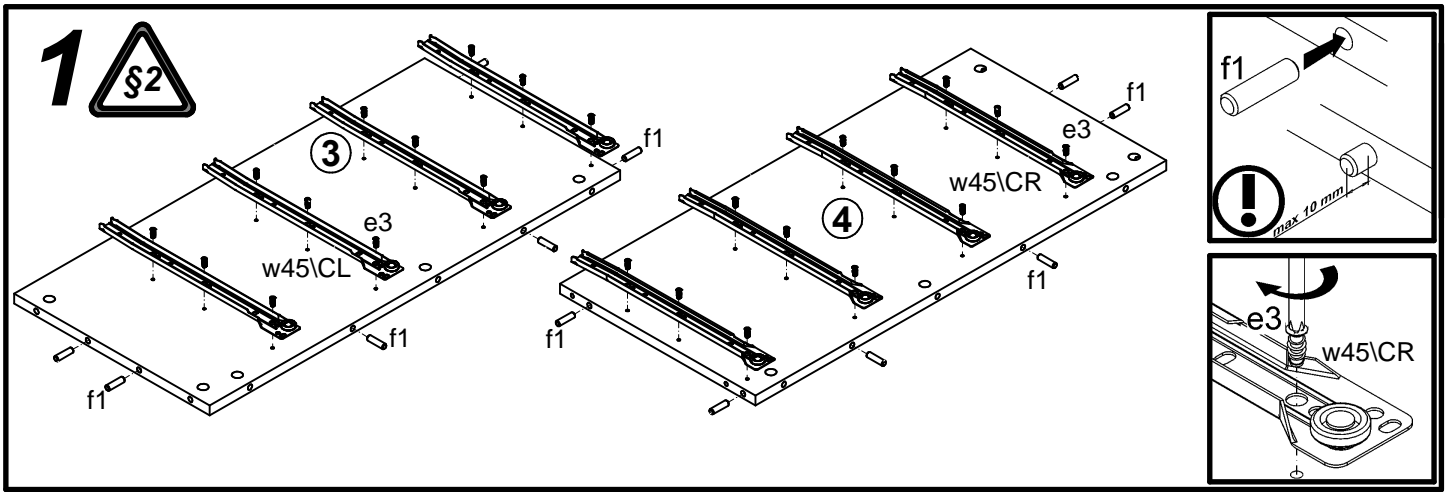
# MEZO

# S82-KOM4S/9/10

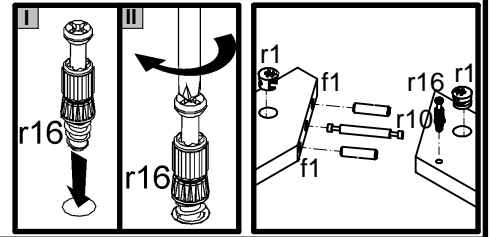
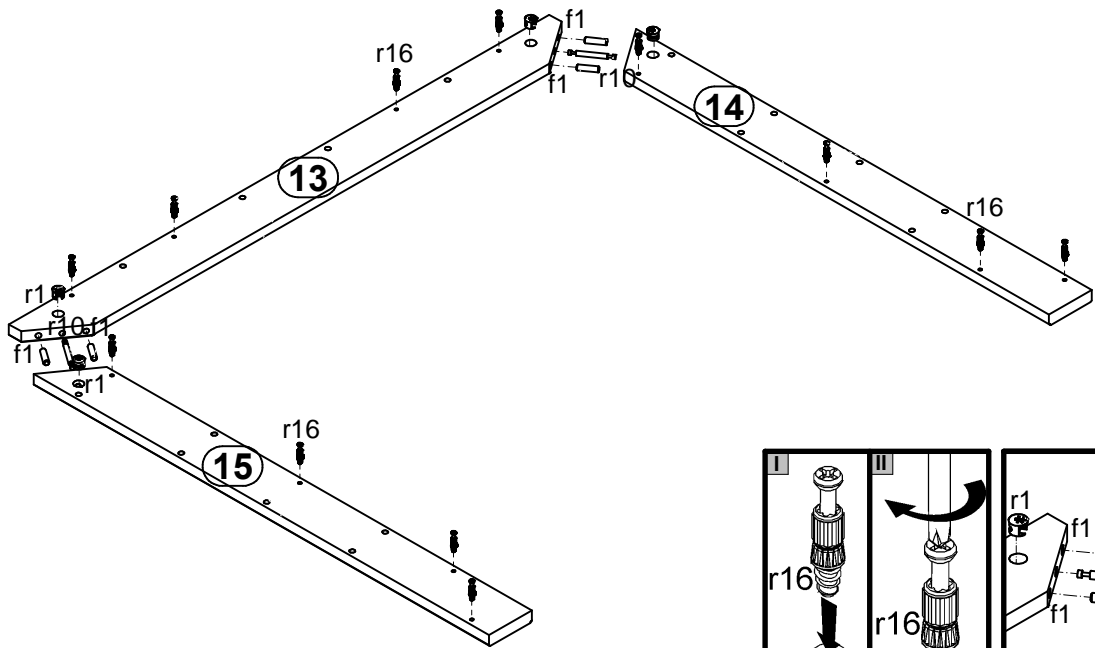
A	B	C	D	A	B	C	D		
1	S82-118	853	370	1/3	10	S82-511	350	140	1/3
2	S82-119	853	370	1/3	11	S82-514	805	90	1/3
3	S82-125	769	366	1/3	12	S82-515	805	140	1/3
4	S82-126	769	366	1/3	13	S82-551	1012	80	2/3
5	S82-204	1011	370	1/3	14	S82-554	853	80	2/3
6	S82-405	978	78	1/3	15	S82-555	853	80	2/3
7	S82-501	350	90	1/3	16	S82-906	815	348	1/3
8	S82-502	350	90	1/3	17	S82-9903	792	497	1/3
9	S82-510	350	140	1/3	18	lh-767	767	12	1/3



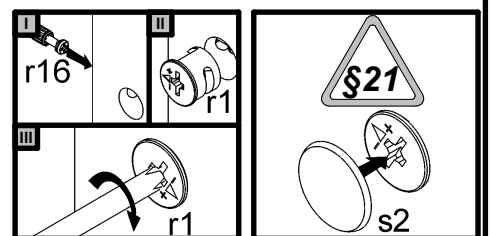
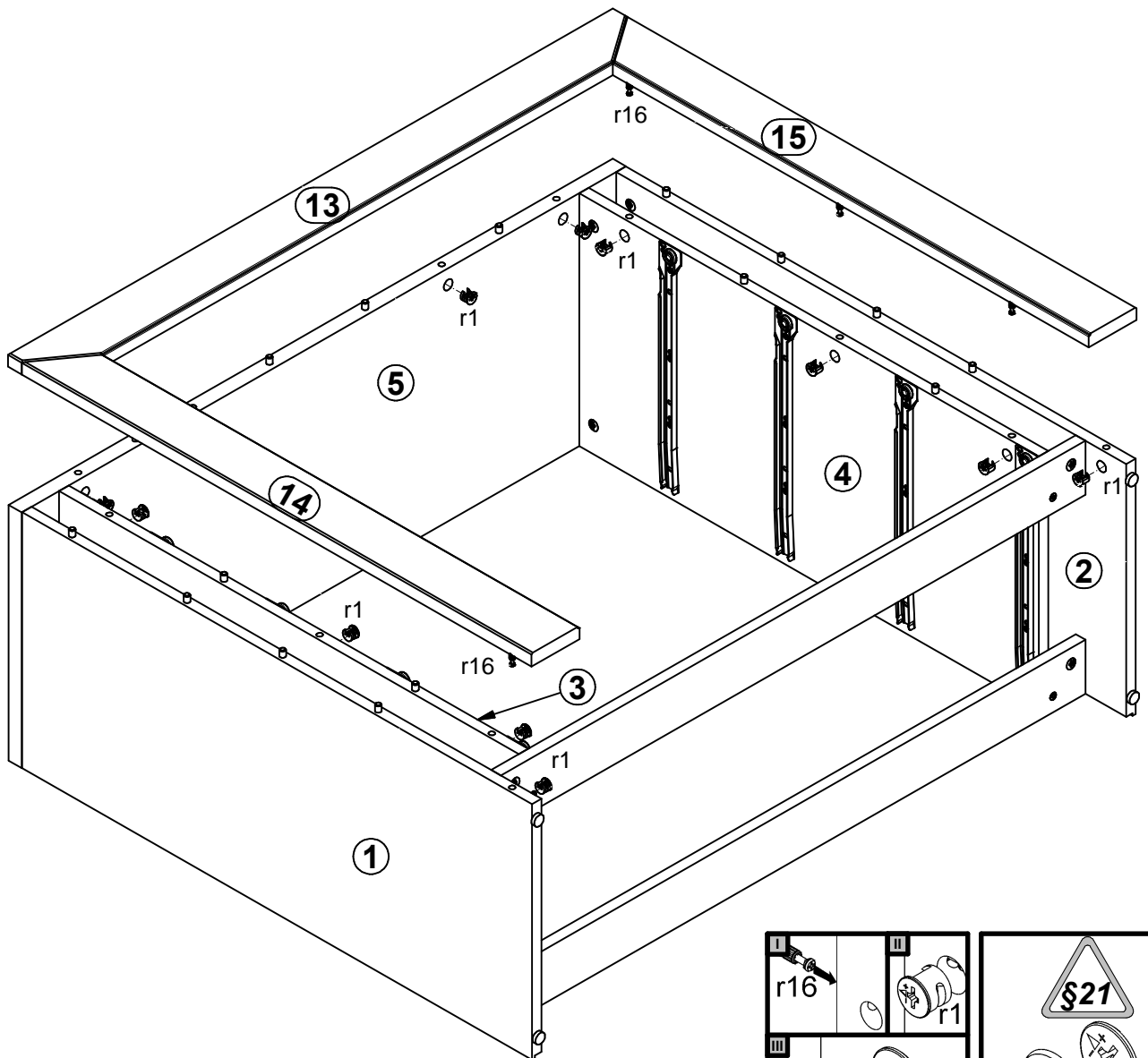
4x  φ7x50 mm <b>e1</b>	24x  φ6x13 mm <b>e3</b>	36x  φ8x30 mm <b>f1</b>	16x  φ6.5x40 mm <b>f25</b>	4x  <b>k1</b>	36x  <b>l1</b>	8x  φ3.5x16 mm <b>p25</b>	16x  φ3x12 mm <b>p54</b>	28x  φ1.5x12 mm #16 <b>r1</b>		
2x  <b>r10</b>	16x  φ12x10.5mm #12 <b>r15</b>	40x  <b>r16</b>	2x  ø16 <b>s2</b>	4x  333 mm <b>t19</b>	4x  350 mm <b>w45\CL</b>	4x  350 mm <b>w45\CR</b>	4x  350 mm <b>w45\DL</b>	4x  350 mm <b>w45\DR</b>		
1x  <b>z1</b>	1x  <b>n26\1</b>	1x  φ3.5x16 mm <b>p38</b>								



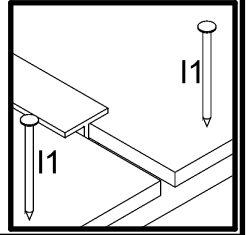
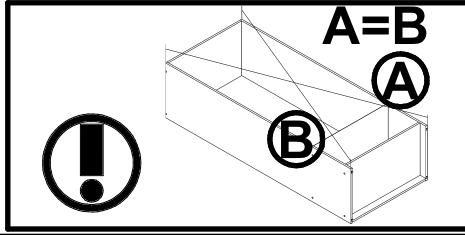
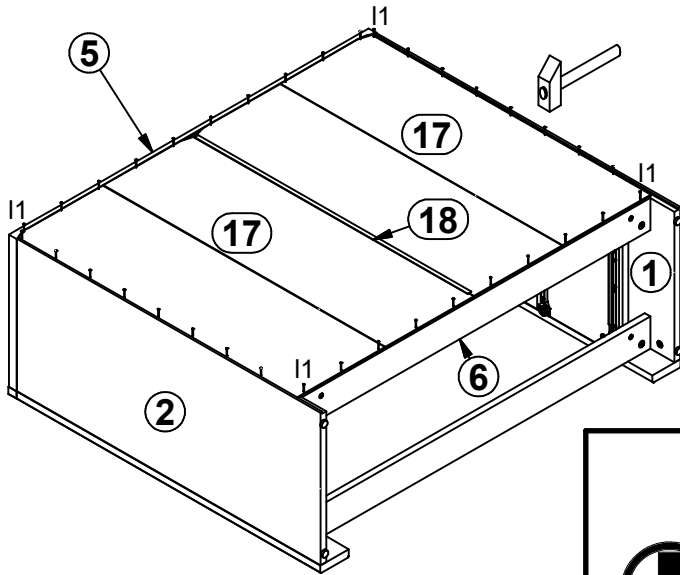
# 4



# 5



# 6



# 7

