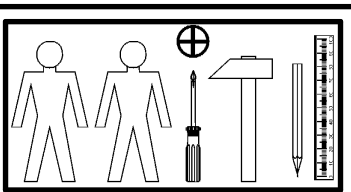
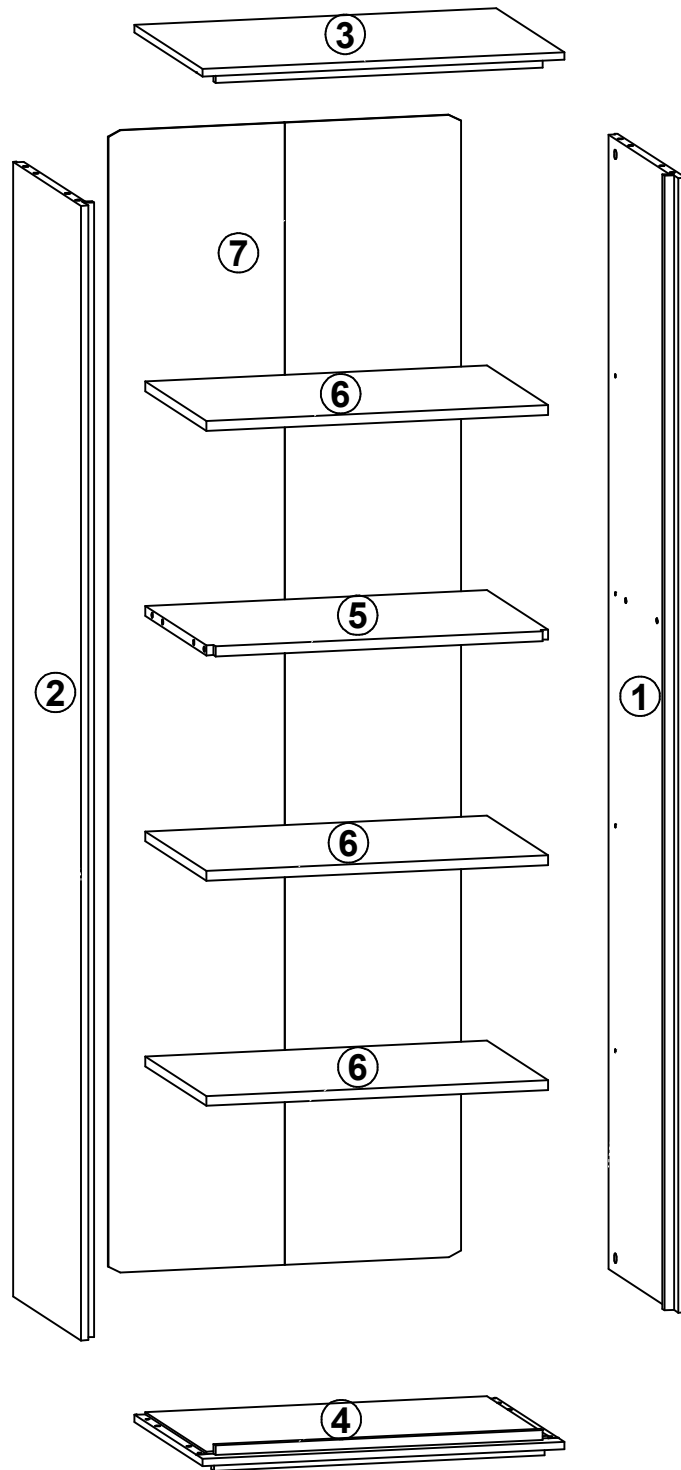
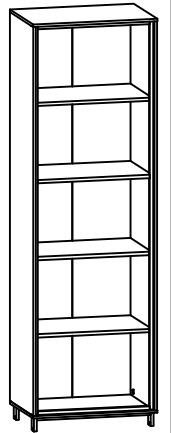


MATEO

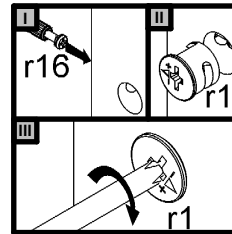
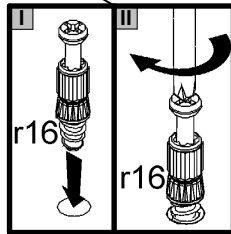
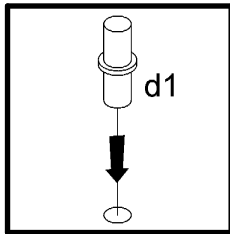
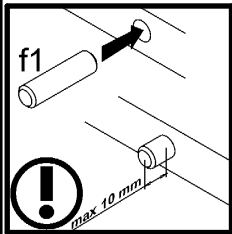
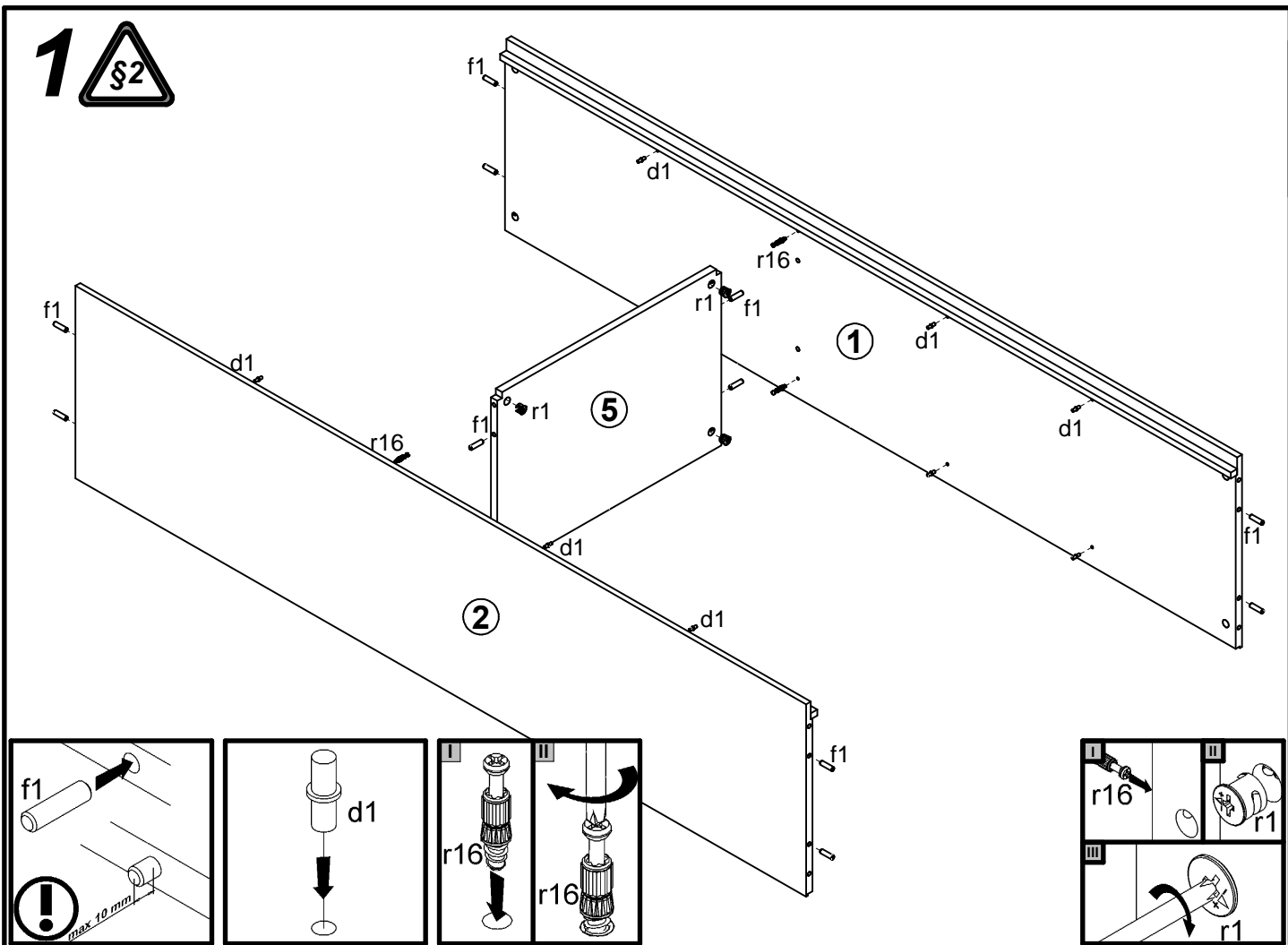
S74-REG/19/6

A	B	C	D
1	S74-110	1833	417 1/2
2	S74-121	1833	417 1/2
3	S74-206	595	418 2/2
4	S74-218	595	418 2/2
5	S74-305	562	388 2/2
6	S74-306	562	375 2/2
7	S74-9908	1845	581 1/2

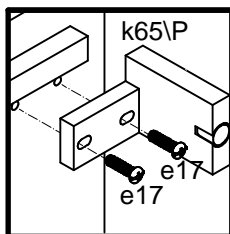
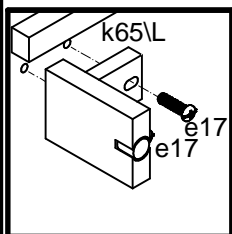
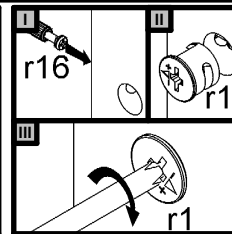
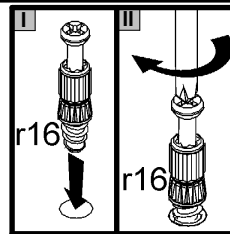
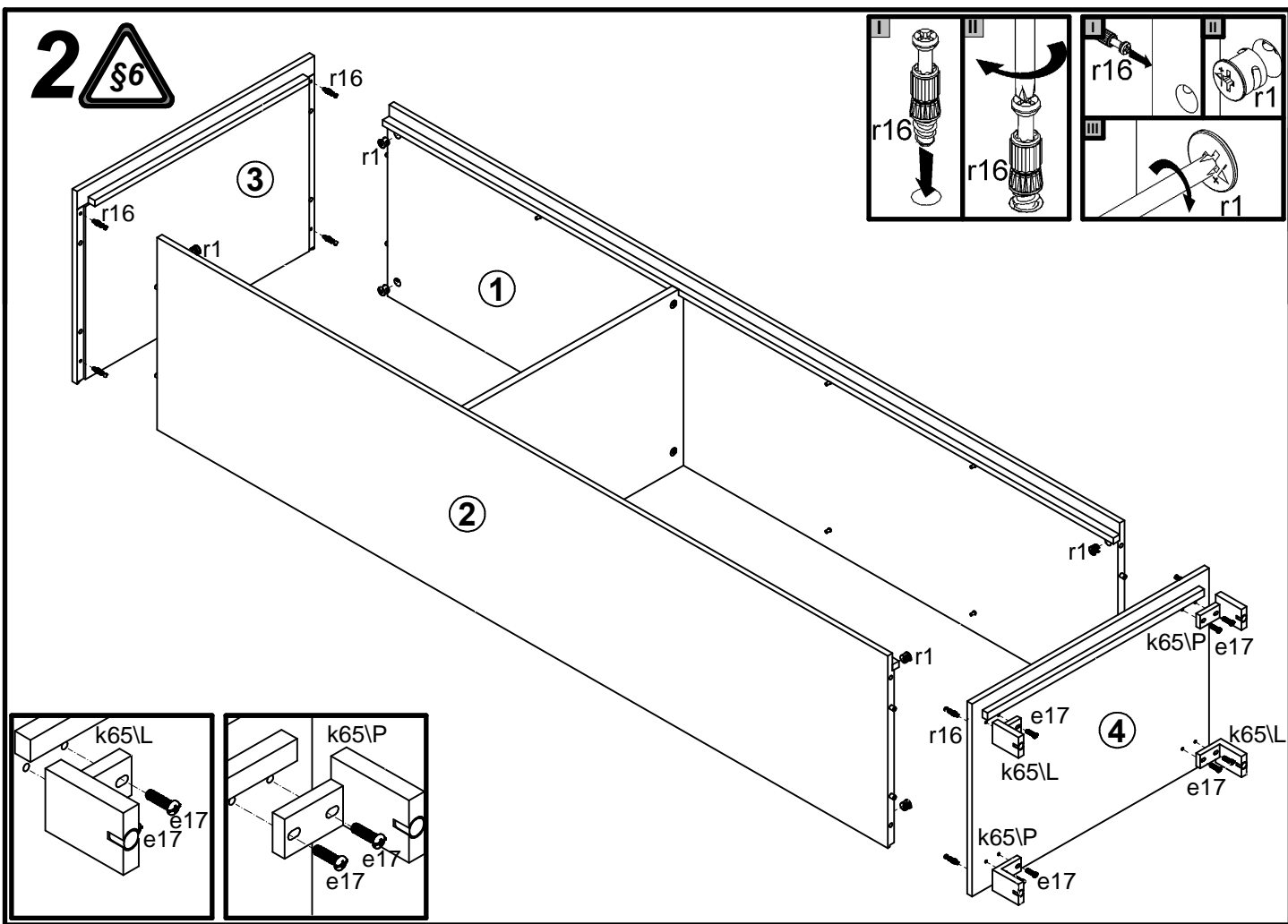


12x φ5x17 mm d1	8x φ6.3x20 mm e17	12x φ8x30 mm f1	2x k65/L	2x k65/P	60x l1	12x φ1.5x12mm #16 r1	12x r16	12x ø16 s2
1x n26/l1	1x φ3.5x16 mm p38							

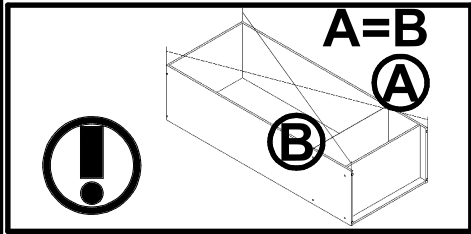
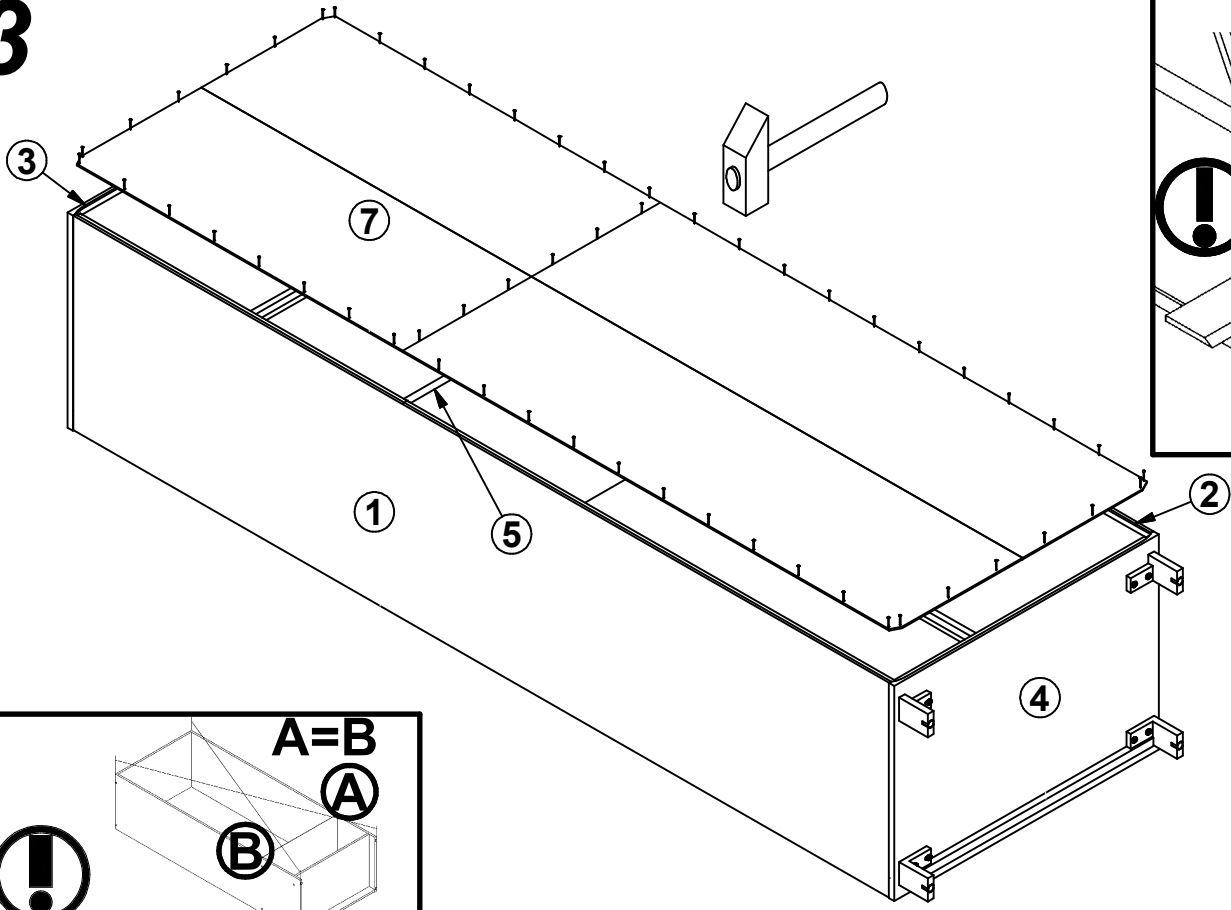
1



2



3



4

