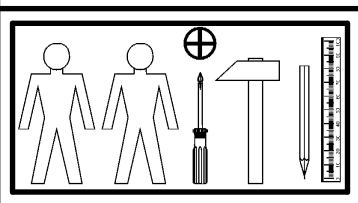
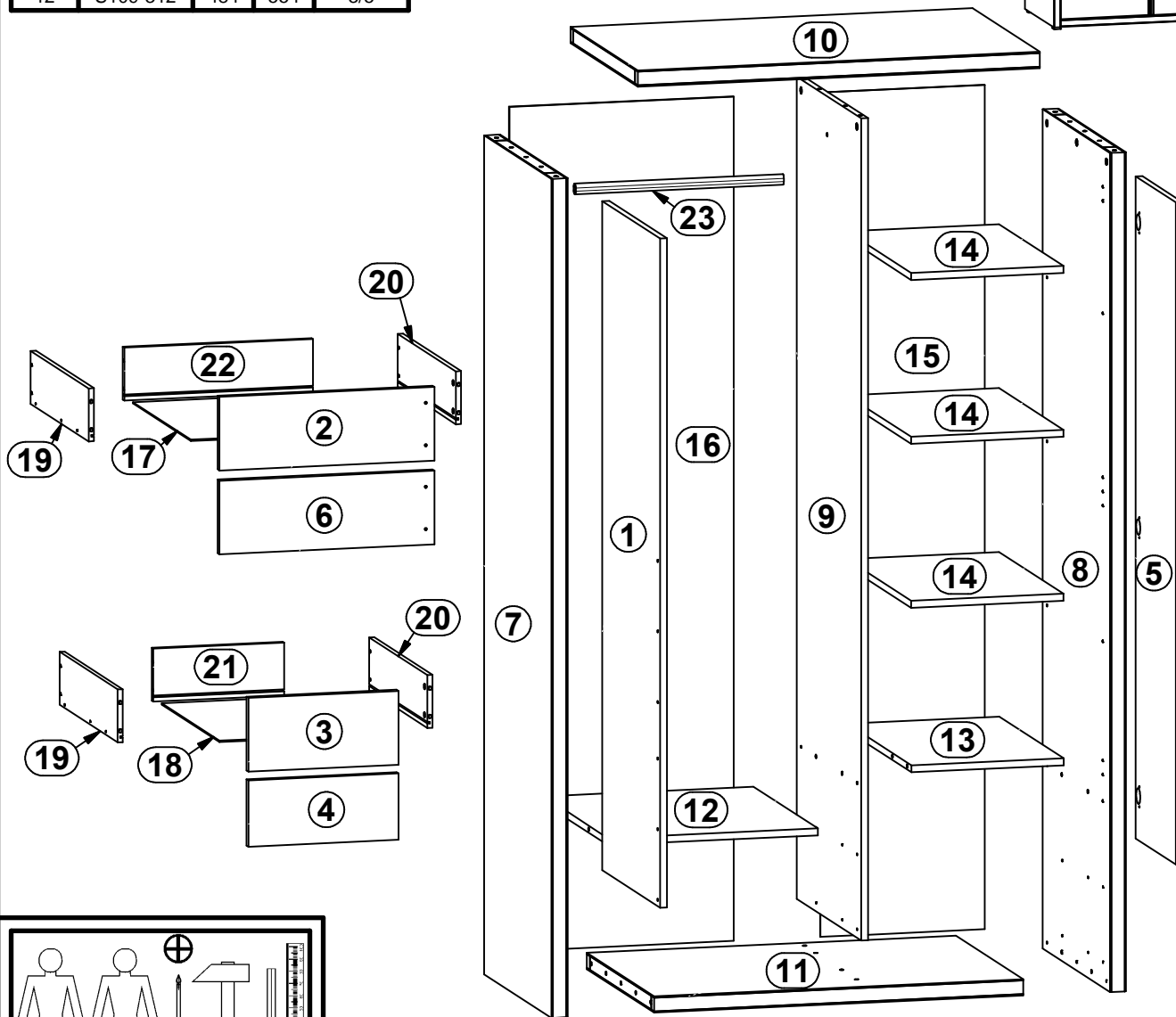
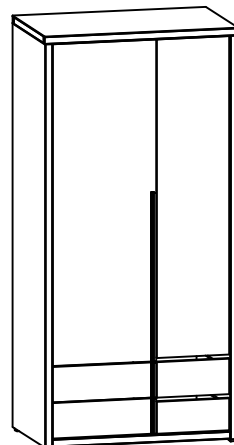


LEMONADE

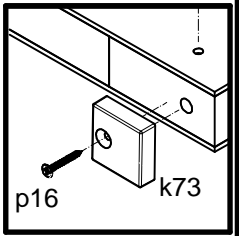
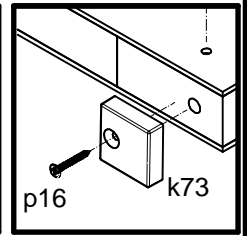
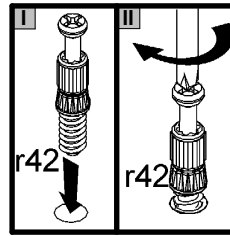
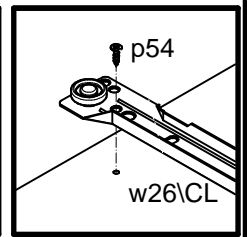
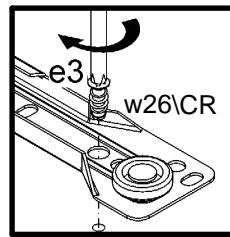
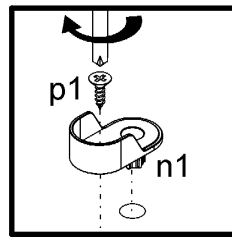
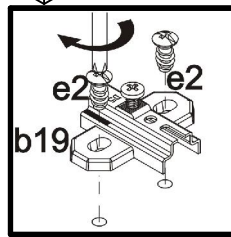
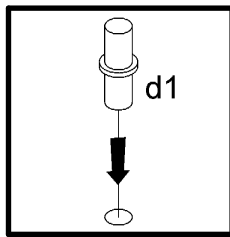
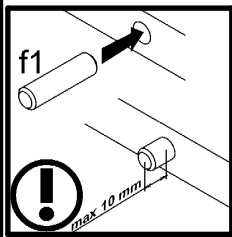
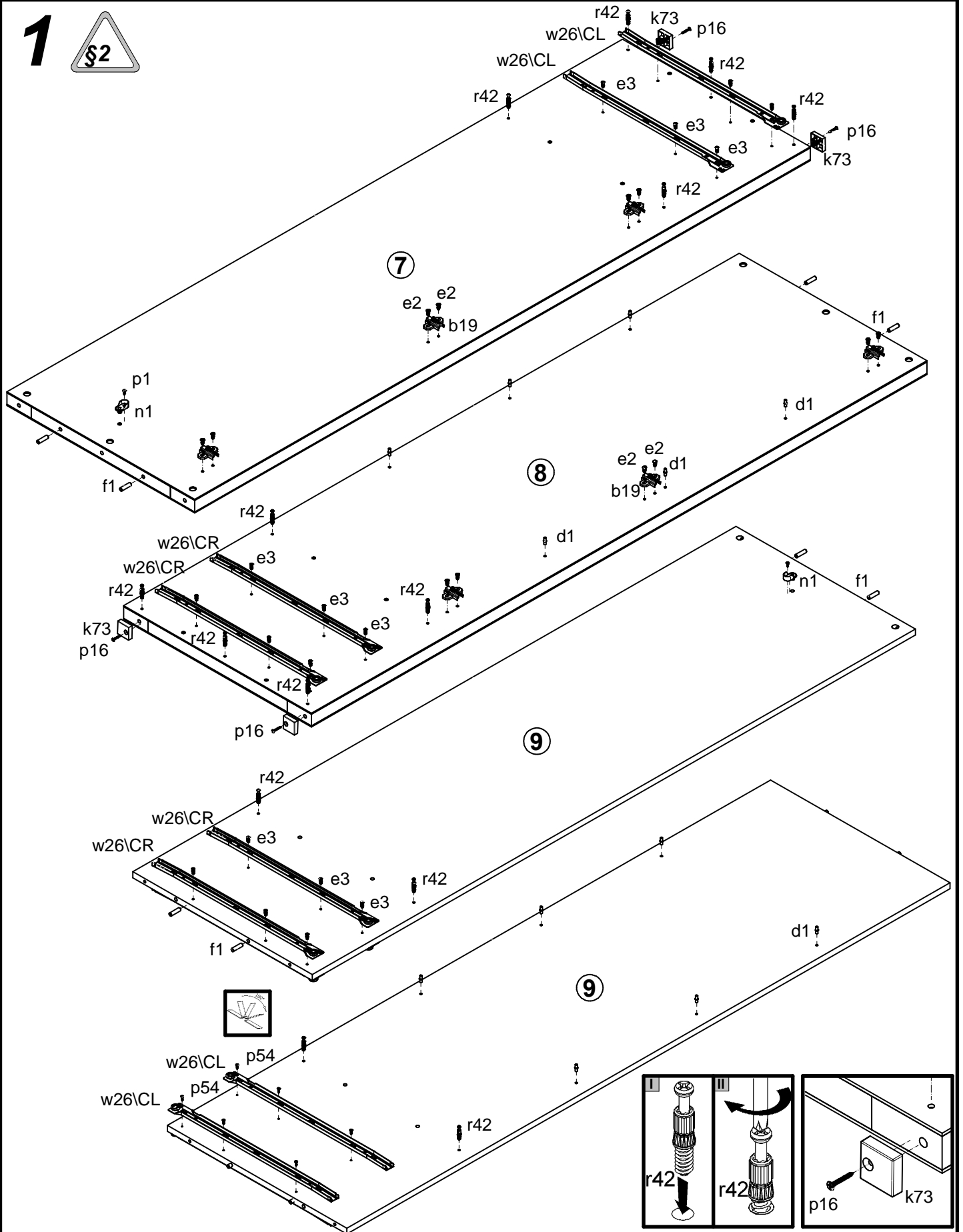
S109-SZF2D4S

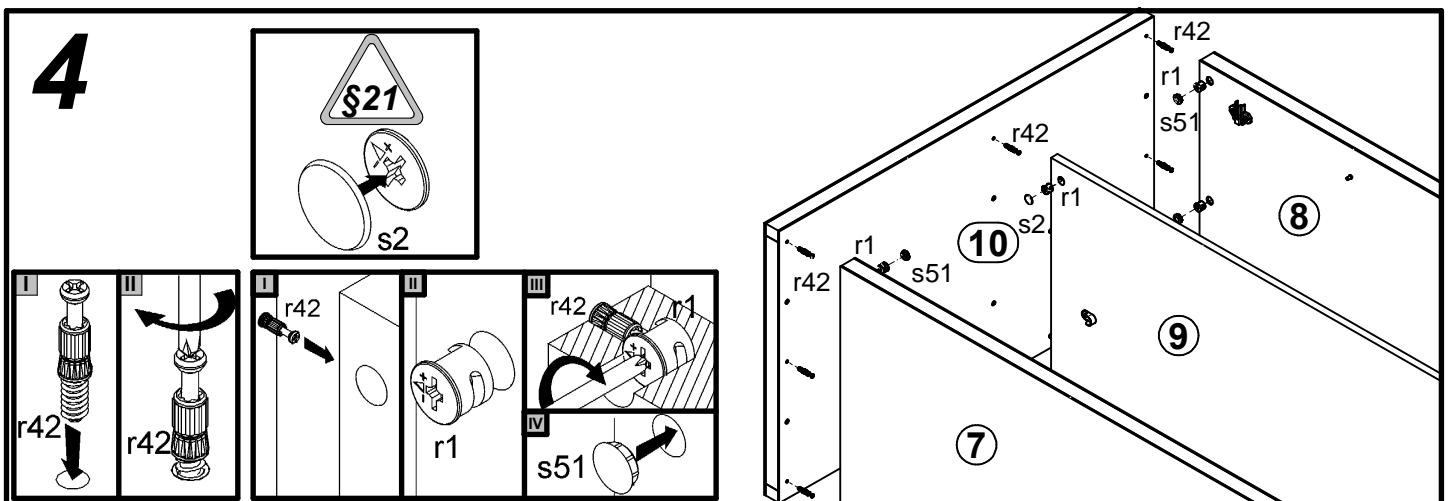
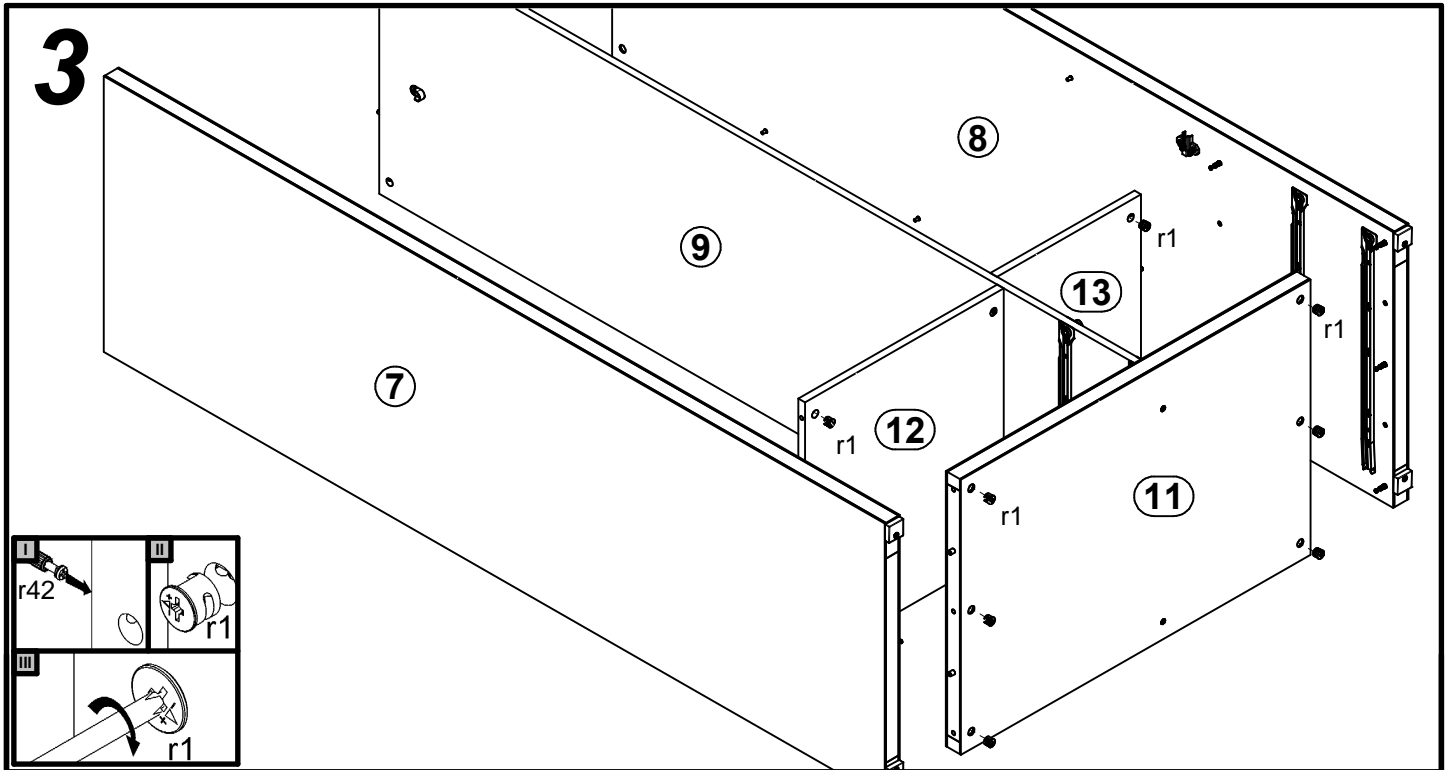
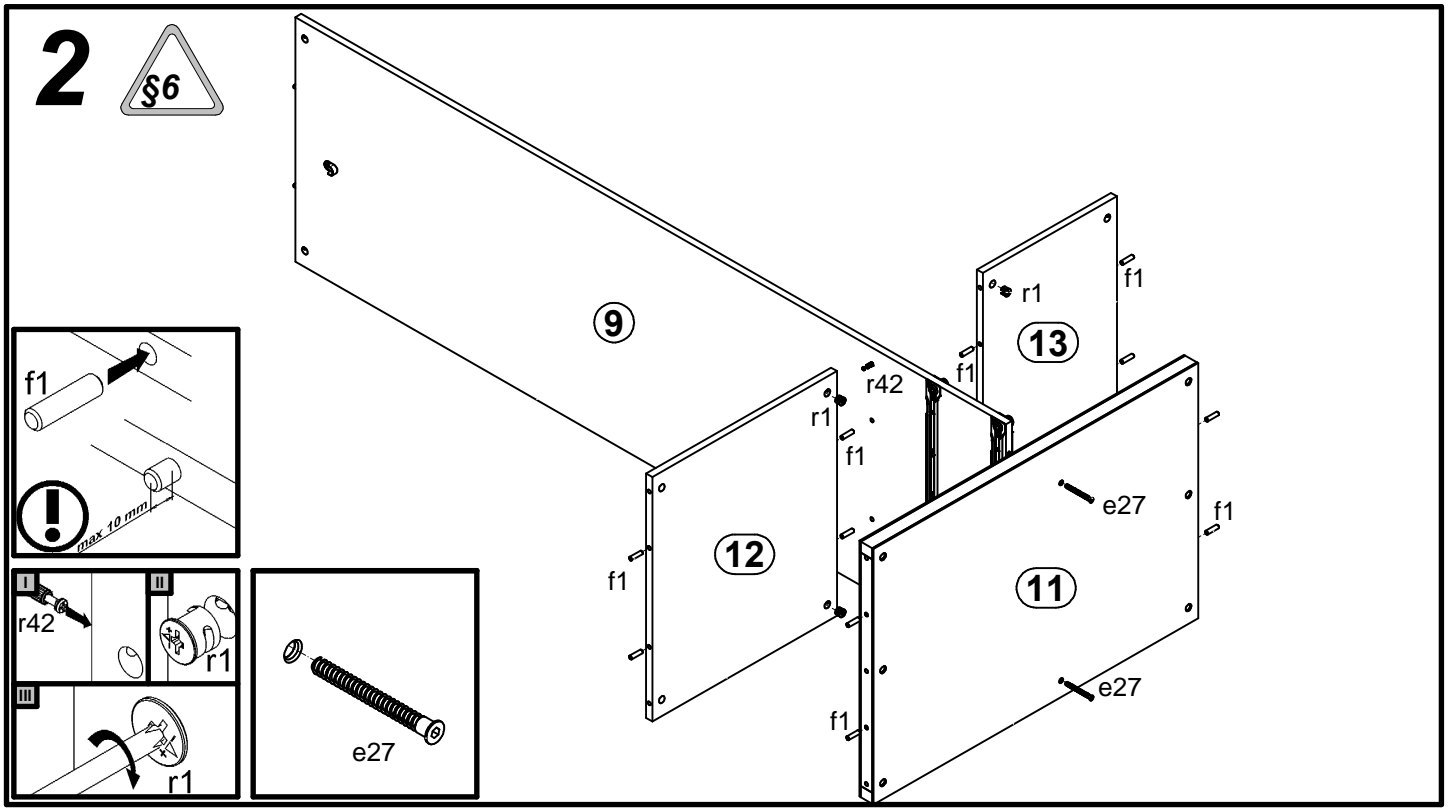
A	B	C	D	A	B	C	D		
1	S109-004	1516	496	4/5	13	S109-313	351	554	3/5
2	S109-005	496	167	4/5	14	S109-314	351	554	3/5
3	S109-008	346	167	5/5	15	S109-903	1913	379	1/5
4	S109-009	346	150	5/5	16	S109-907	1913	517	1/5
5	S109-010	1500	346	5/5	17	S109-912	446	498	3/5
6	S109-022	496	167	4/5	18	S109-913	313	498	3/5
7	S109-113	1901	580	1/5	19	ZS2-509	500	120	3/5
8	S109-114	1901	580	1/5	20	ZS2-510	500	120	3/5
9	S109-115	1863	554	1/5	21	ZS2-5532	302	120	3/5
10	S109-205	927	581	2/5	22	ZS2-5533	435	120	3/5
11	S109-311	851	579	2/5	23	dr-480	480	22	3/5
12	S109-312	484	554	3/5					



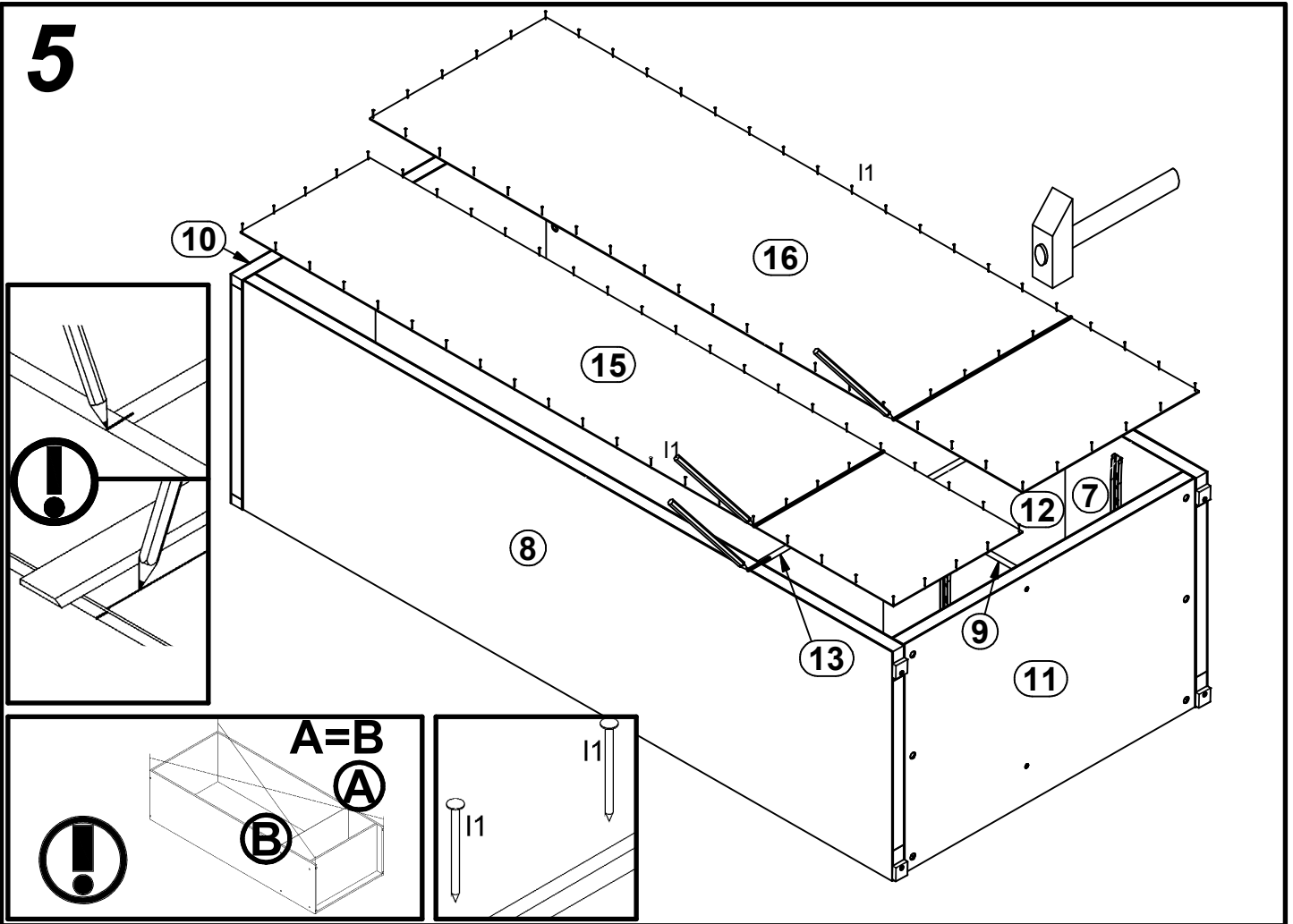
6x a43	6x b19	2x c304/1	1x c304/3	12x d1 φ8x17 mm	12x e2 φ6,3x13 mm	18x e3 φ6x13 mm	24x e19 φ5x9 mm	2x e27 φ7x70 mm
20x f1 φ8x30 mm	16x f25 φ6,5x40 mm	4x k73	105x l1	2x n1	2x p1 φ3,5x13 mm	4x p16 φ3,5x25 mm	12x p51 φ3,5x15 mm	6x p54 φ3x12 mm
10x p97 φ3x26 mm	22x r1 φ1,5x12mm #16	16x r15 φ12x10,5mm #12	38x r42	2x s2 ø16	6x s51 ø15	4x w26\CL 500 mm	4x w26\CR 500 mm	4x w26\DL 500 mm
4x w26\DR 500 mm	1x z1	1x n26\1	1x p38 φ3,5x16 mm					

1

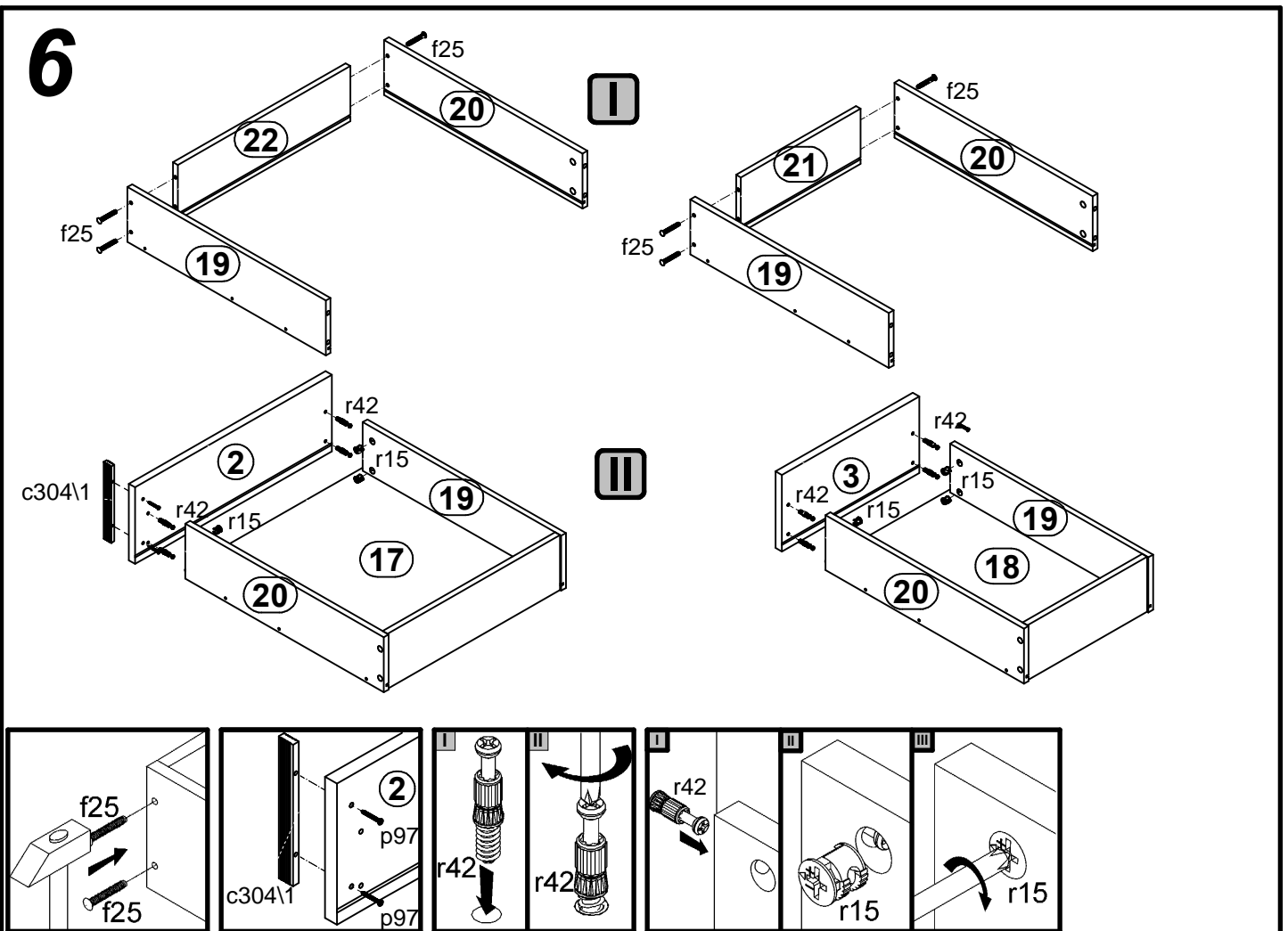




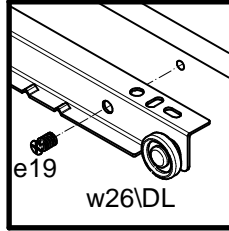
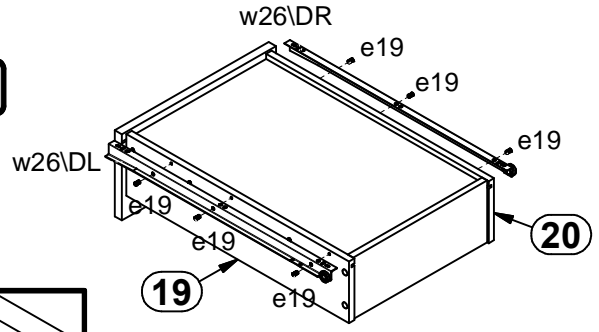
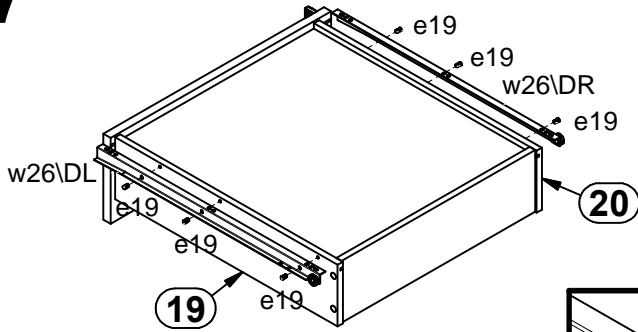
5



6



7



8

