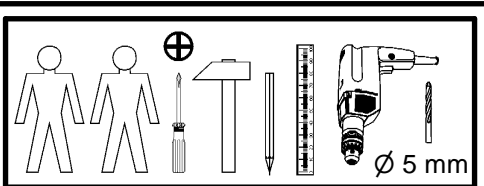
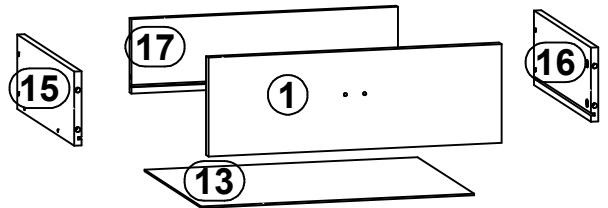
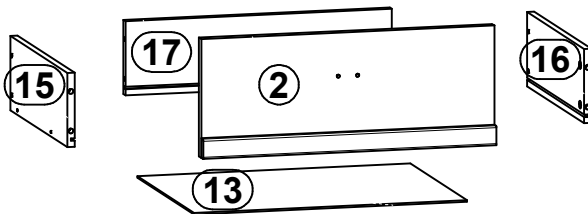
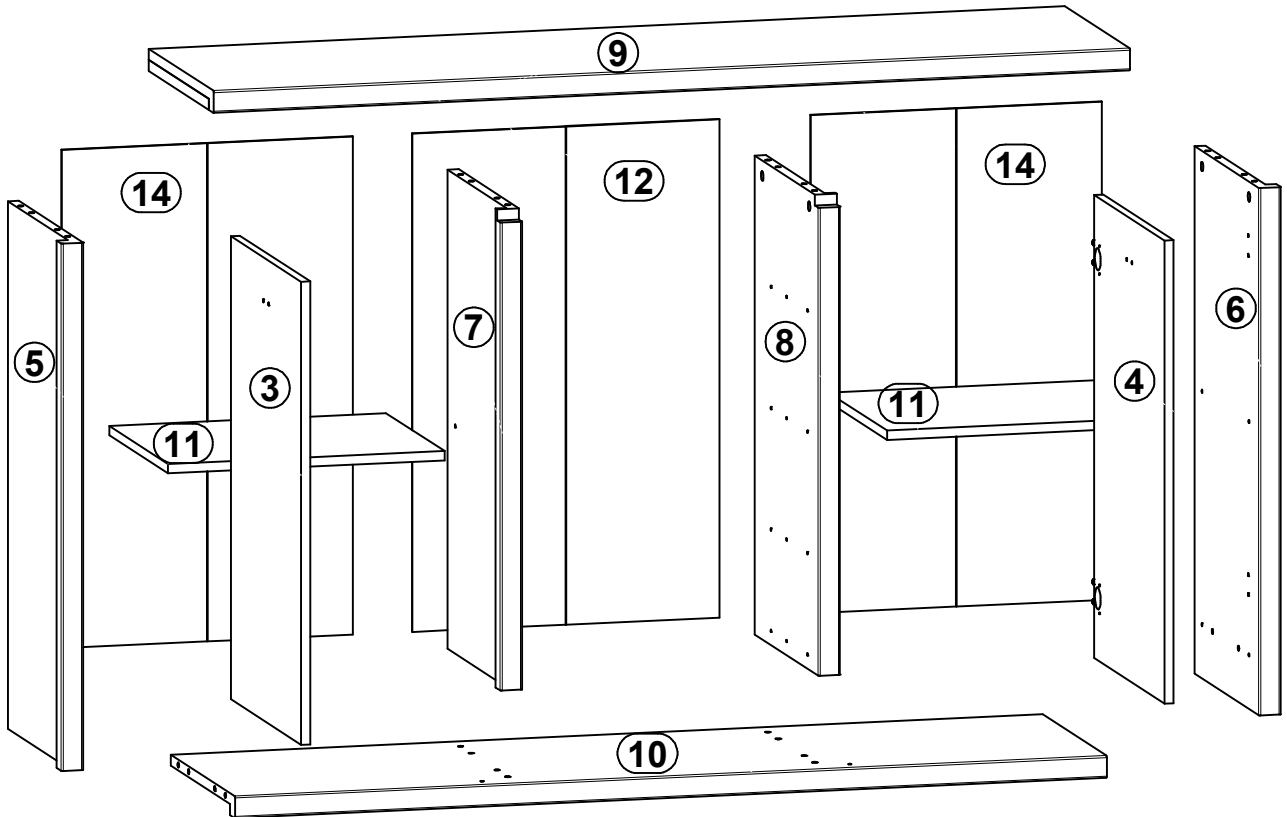
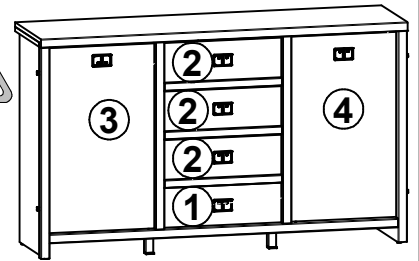


KASPIAN CLASSIC

S158-KOM2D4S

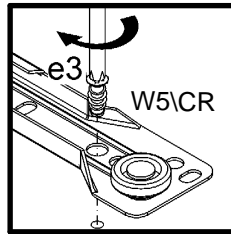
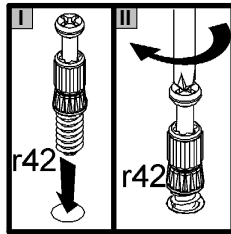
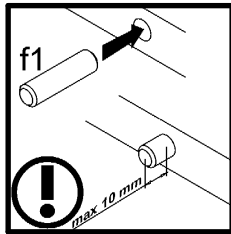
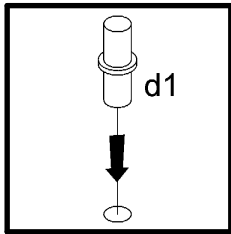
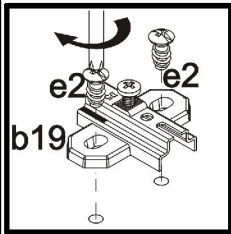
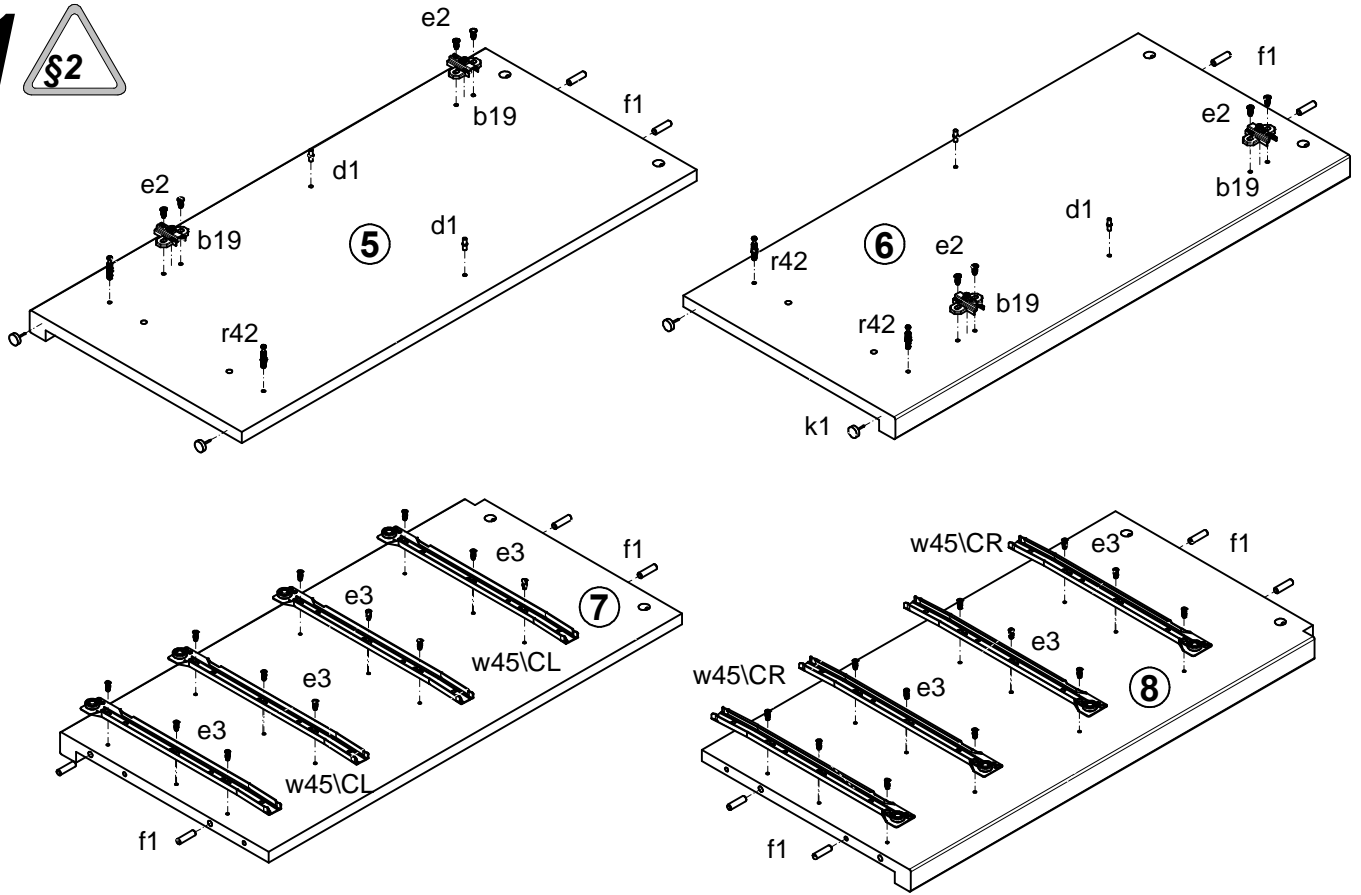
A	B	C	D	A	B	C	D		
1	S158-007	482	160	3/4	10	S158-312	1434	394	2/4
2	S158-008	482	192	3/4	11	S158-322	455,	360	1/4
3	S158-010	748	432	4/4	12	S158-909	805	505	1/4
4	S158-018	748	432	4/4	13	S158-913	449	348	2/4
5	S158-119	852	397	1/4	14	S158-914	805	479	1/4
6	S158-120	852	397	1/4	15	ZS2-511	350	120	2/4
7	S158-121	774	391	1/4	16	ZS2-512	350	120	2/4
8	S158-122	774	391	1/4	17	ZS2-5512	438	120	2/4
9	S158-208	1507	400	2/4					



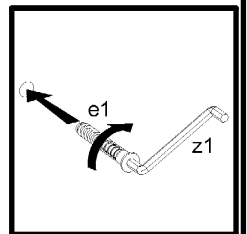
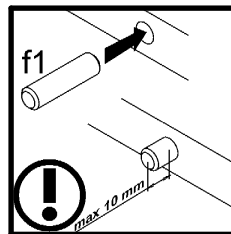
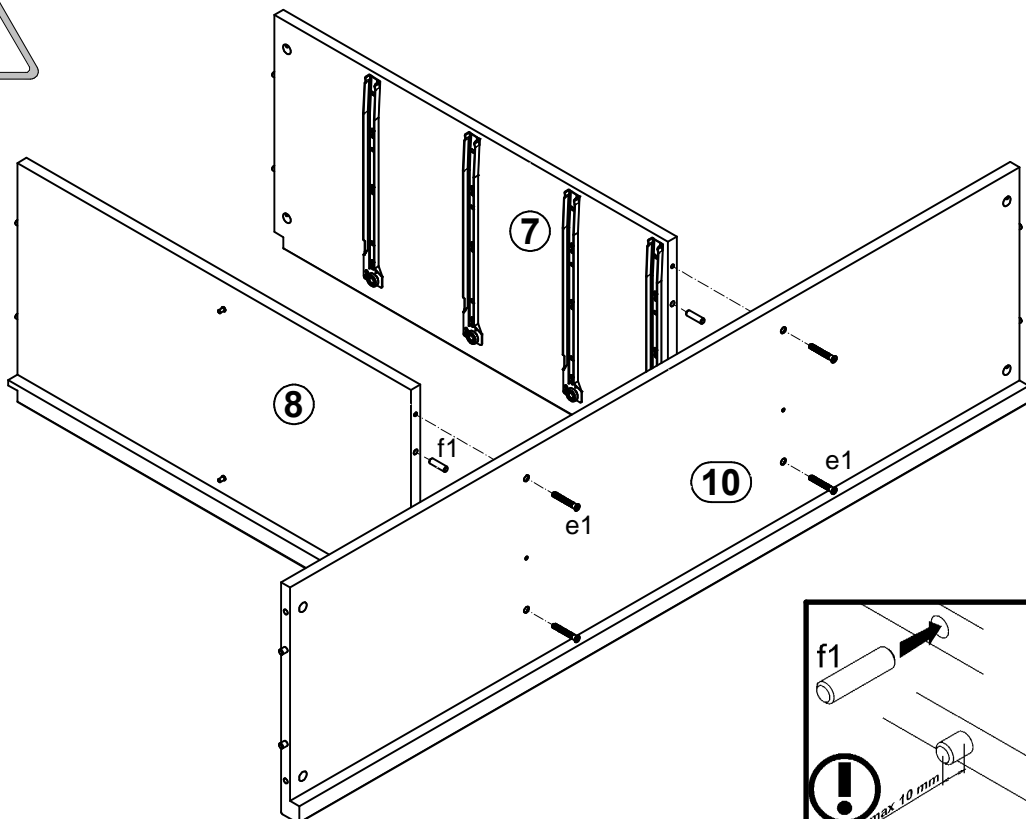
6x
ø16
s2

4x K16 a43	4x D5 b19	6x c239\2	8x ø5x17 mm d1	4x ø7x50 mm e1	16x ø5x9 mm e19	10x ø6,3x13 mm e2	24x ø6x13 mm e3	16x ø8x30 mm f1
16x ø6,5x40 mm f25	12x M4x20 mm j1	4x k1	90x l1	8x ø3,5x15 mm p51	12x ø1,5x12mm #16 r1	16x ø12x10,5mm #12 r15	28x r42	4x 350 mm w45\CL
4x 350 mm w45\CR	4x 350 mm w45\DL	4x 350 mm w45\DR	1x z1	1x n26\1	9x ø3,5x16 mm p38	2x k38\3	2x k38\10	2x ø6,3x15 mm d4

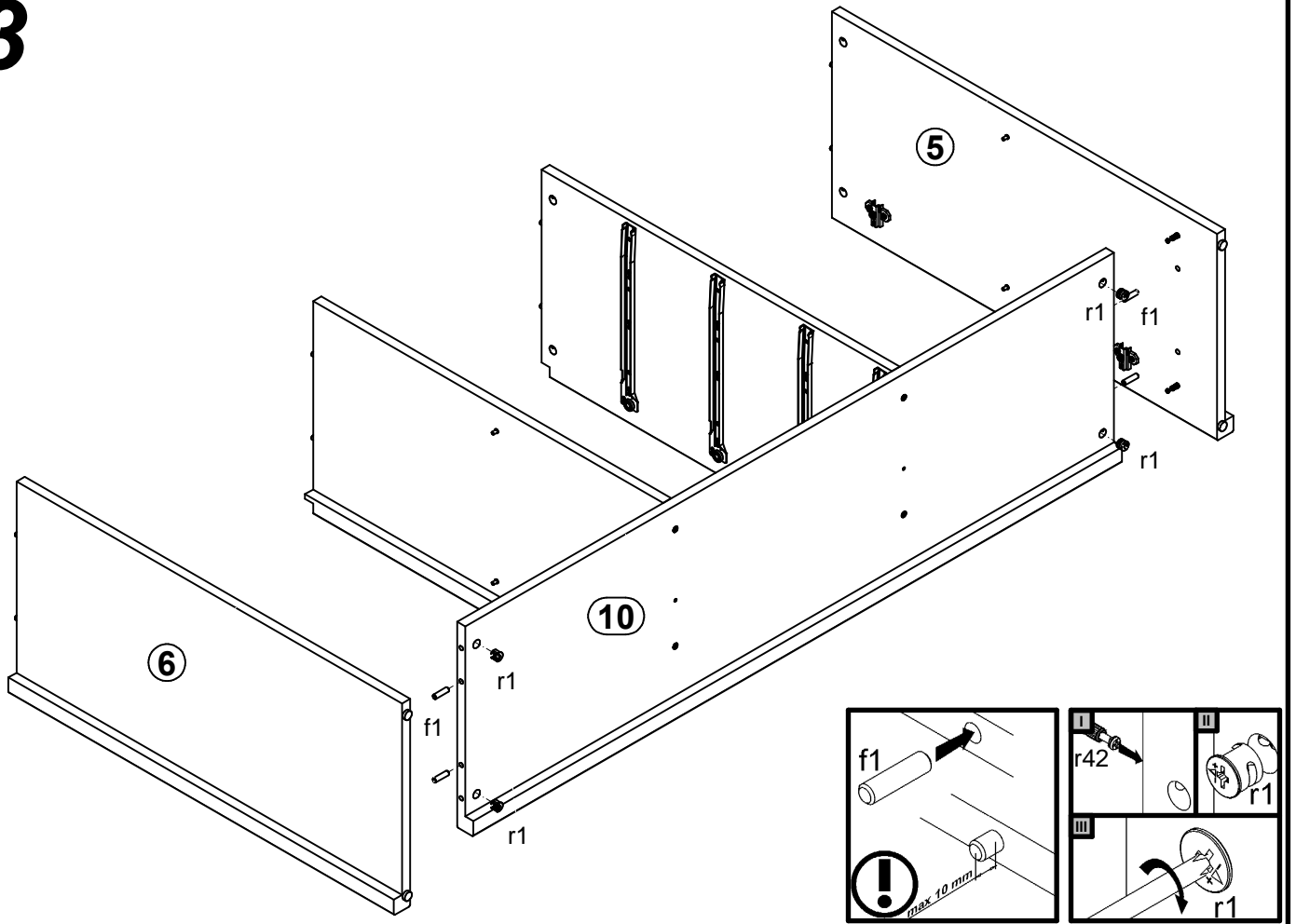
1 §2



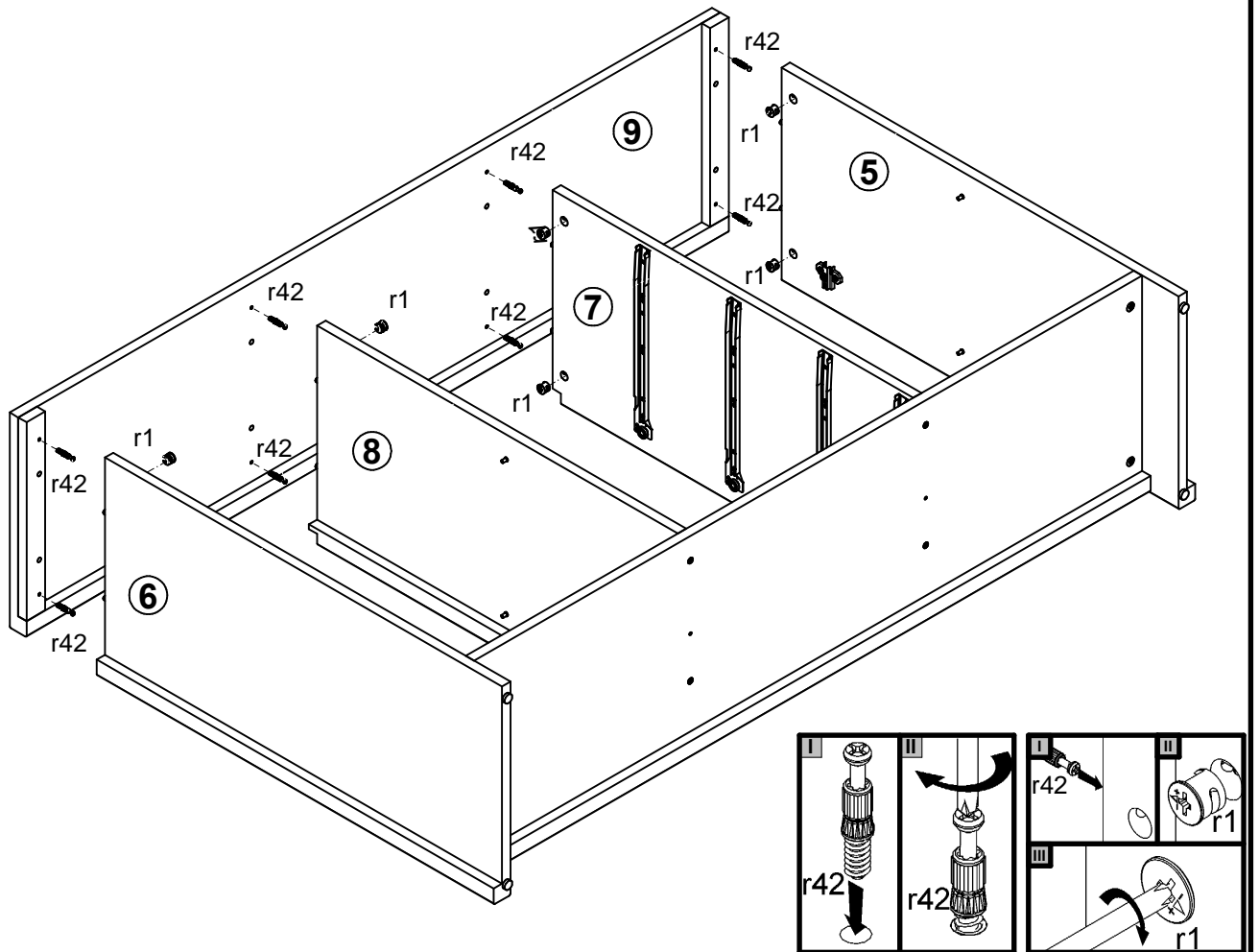
2 §6



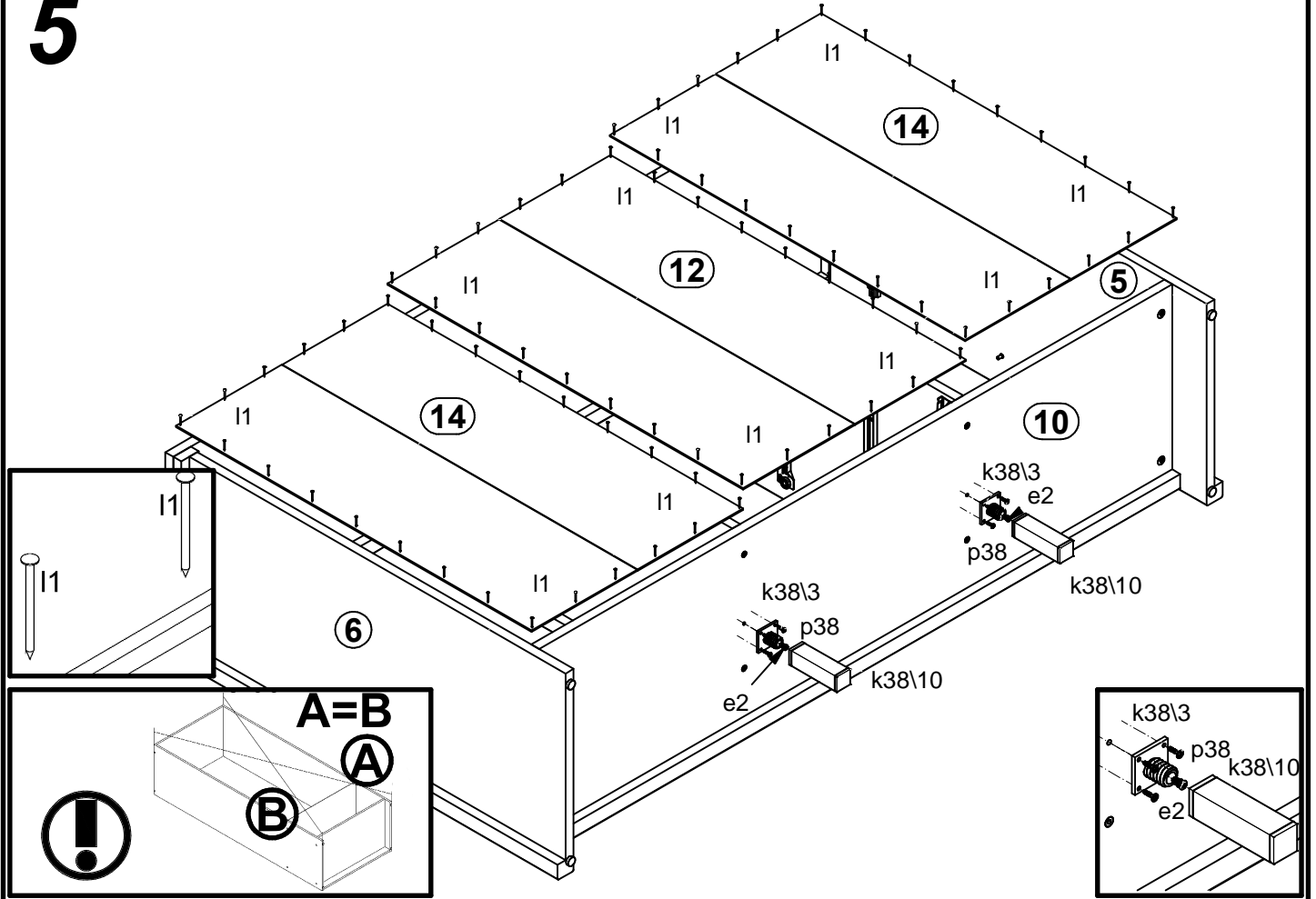
3



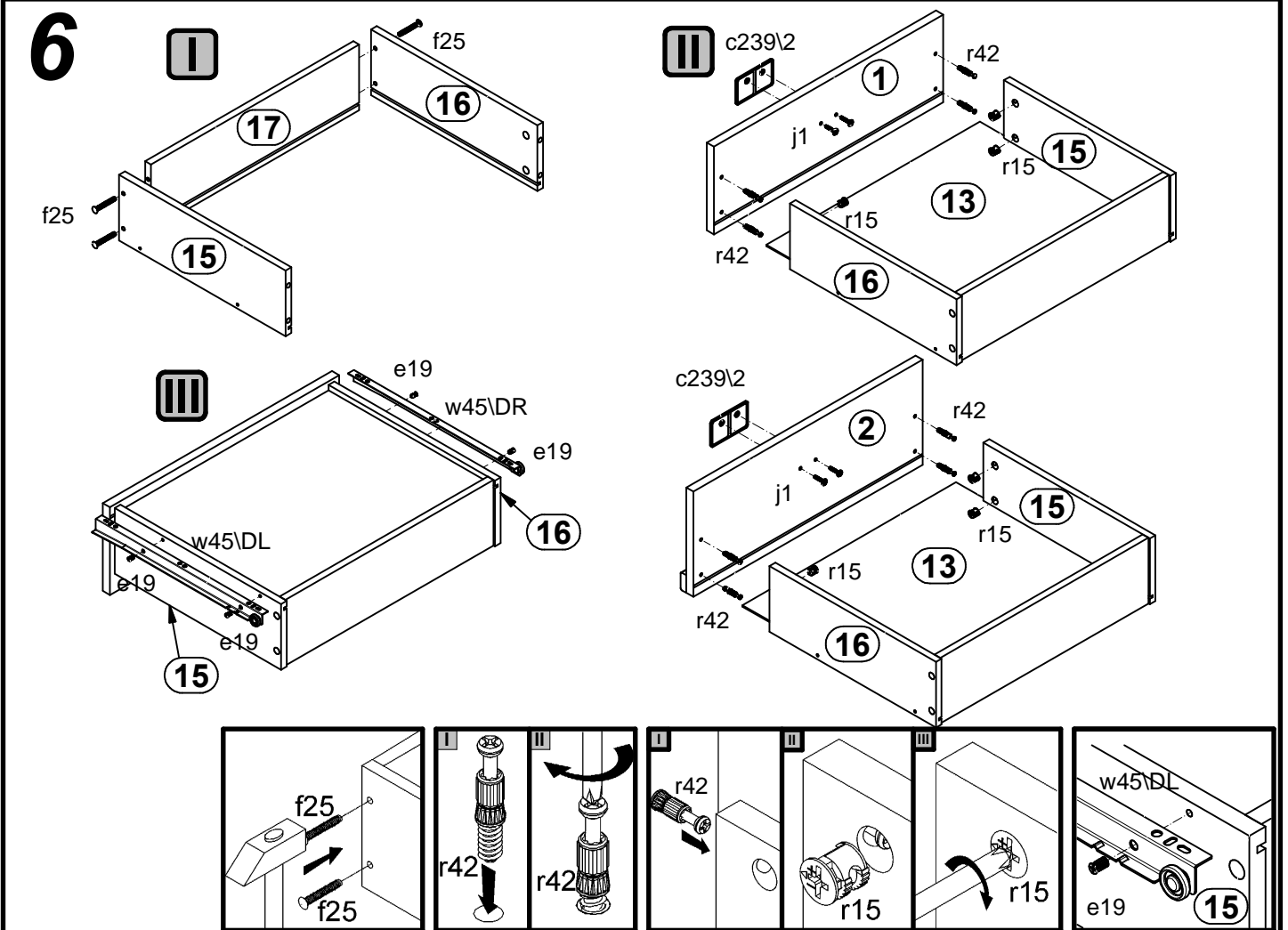
4



5



6



7

