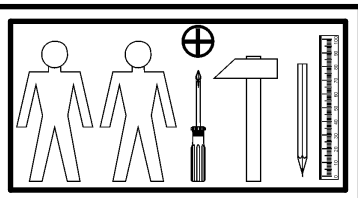
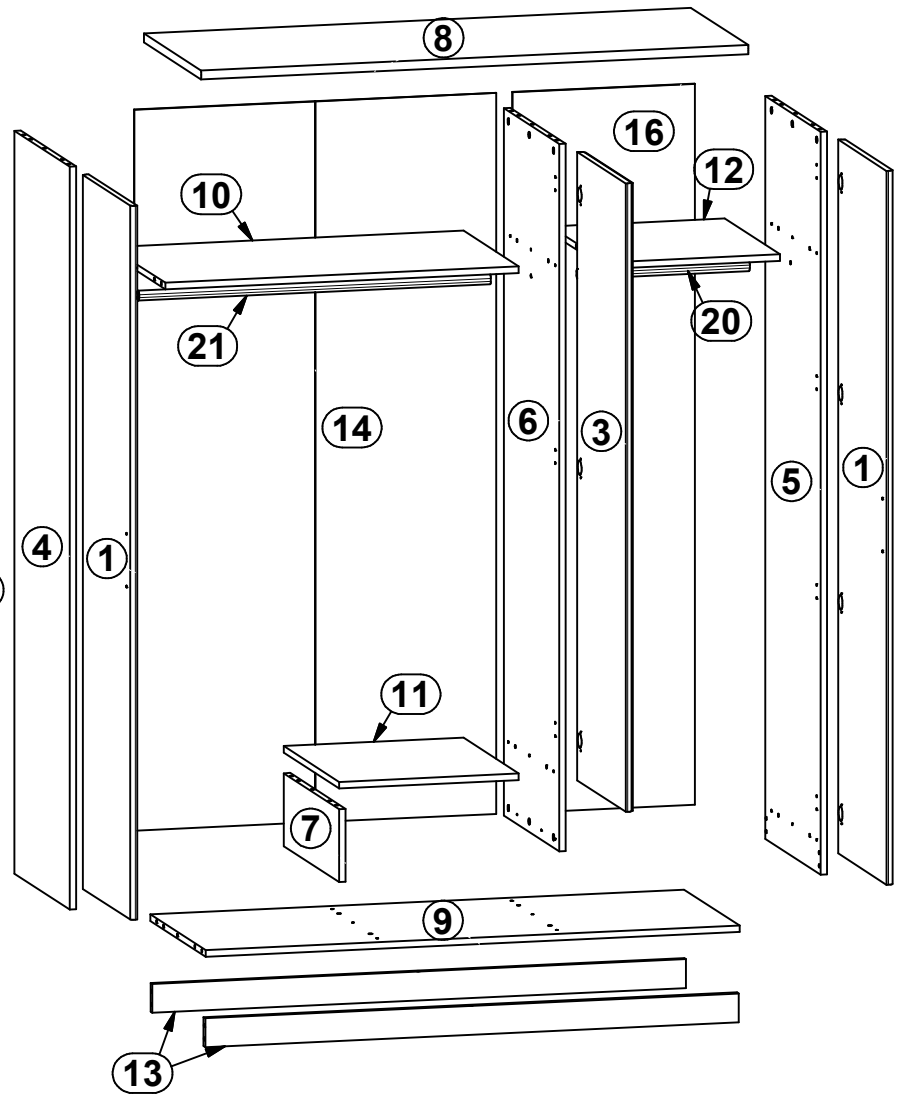
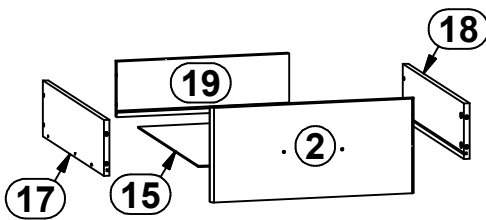
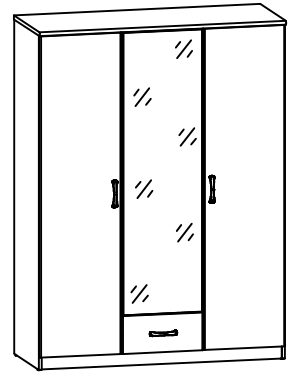
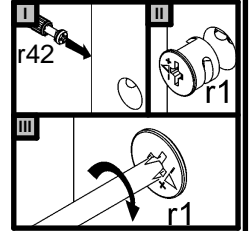
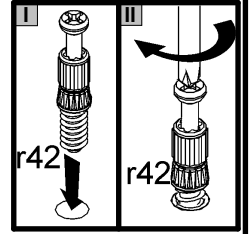
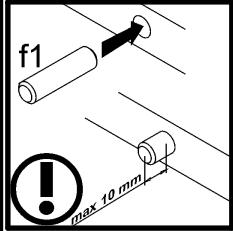
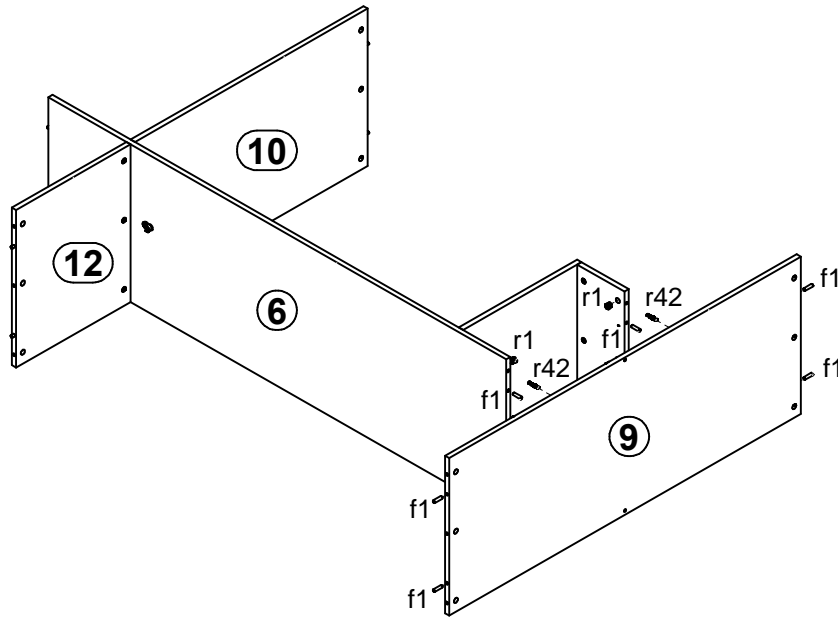


A	B	C	D	
1	S93-008	1730	446	3/3
2	S93-009	446	204	3/3
3	S93-012	1523	446	3/3
4	S93-106	1800	510	1/3
5	S93-107	1800	510	1/3
6	S93-110	1714	510	1/3
7	S93-111	177	510	2/3
8	S93-204	1350	530	2/3
9	S93-302	1317	510	2/3
10	S93-304	872	510	2/3
11	S93-305	443	510	2/3
12	S93-306	429	510	2/3
13	S93-411	1317	70	2/3
14	S93-906	1747	893	1/3
15	S93-907	389	498	2/3
16	S93-910	1747	450	1/3
17	ZS1-503	500	120	2/3
18	ZS1-504	500	120	2/3
19	ZS1-5503	378	120	2/3
20	dr-423	423	22	2/3
21	dr-868	868	22	2/3

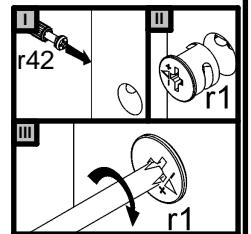
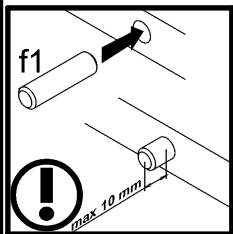
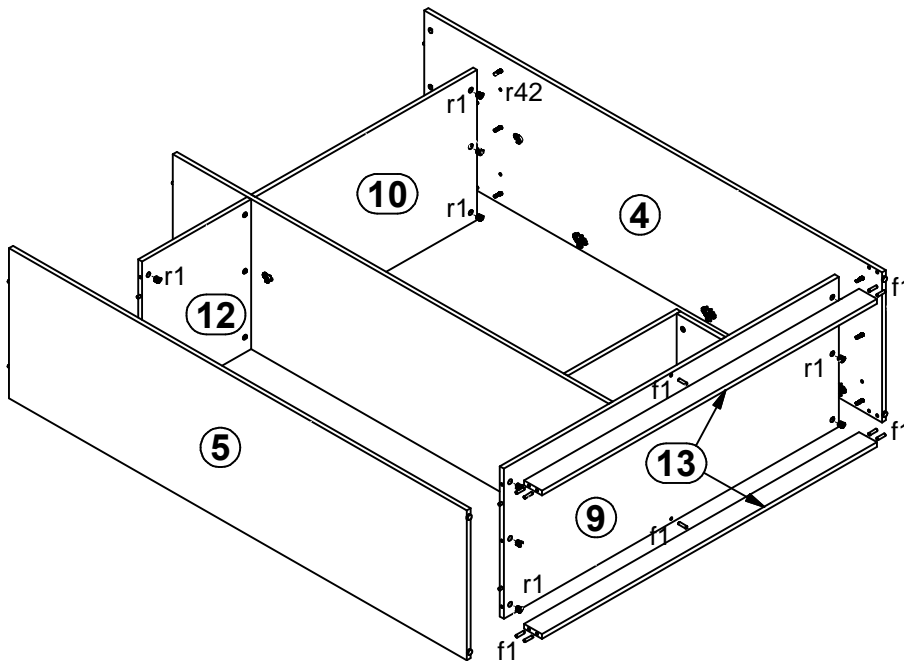


11x a44	11x b19	3x c284	6x e19 φ5x9 mm	22x e2 φ6,3x13 mm	6x e3 φ6x13 mm	36x f1 φ8x30 mm	4x f25 φ6,5x40 mm	4x k1
125x l1	4x n1	4x p1 φ3,5x13 mm	22x p51 φ3,5x15 mm	6x p87 φ4x25 mm	39x r1 φ1,5x12mm #16	4x r15 φ12x10,5mm #12	43x r42	22x s2 ø16
1x w26\CL 500 mm	1x w26\CR 500 mm	1x w26\DL 500 mm	1x w26\DR 500 mm	1x n26\1	1x p38 φ3,5x16 mm			

3



4



5

