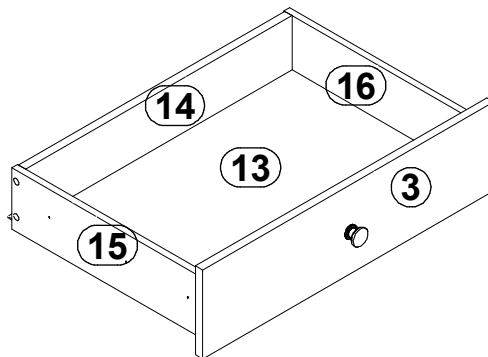
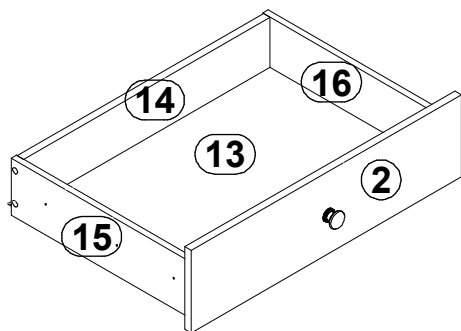
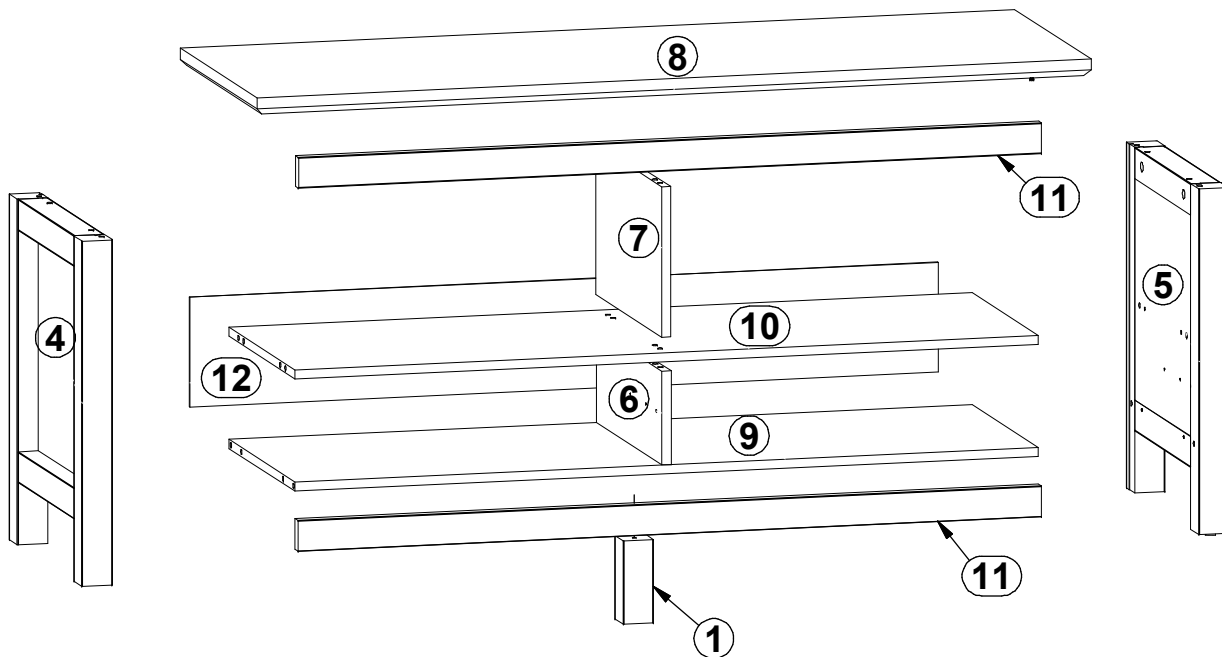


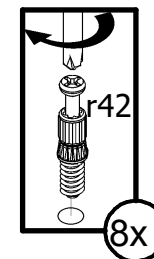
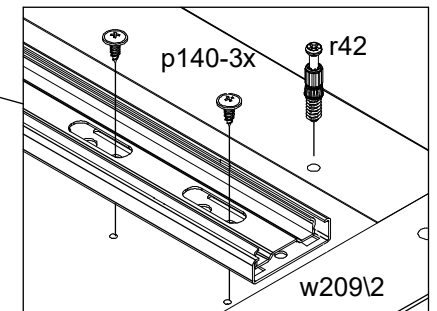
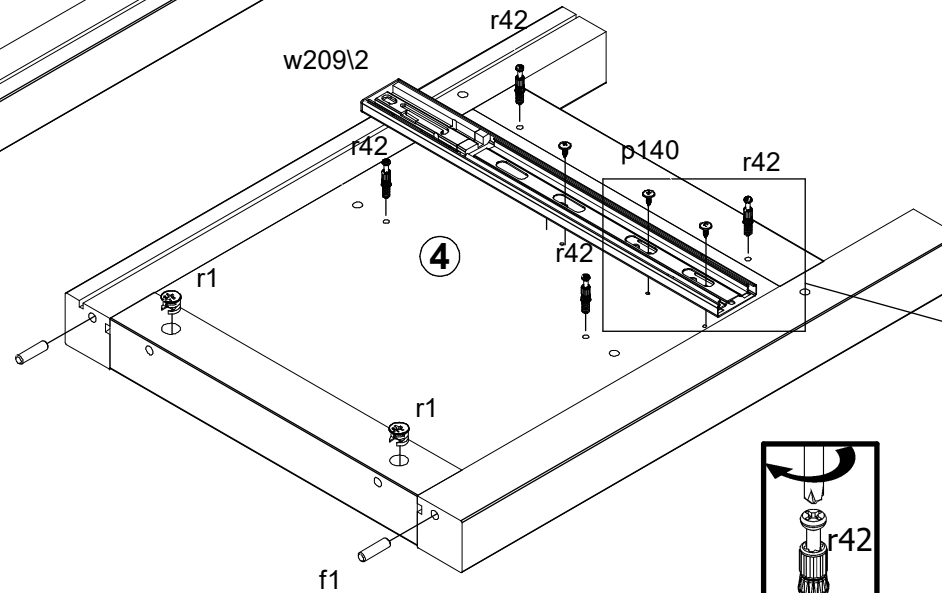
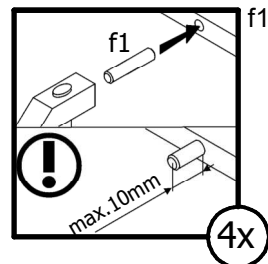
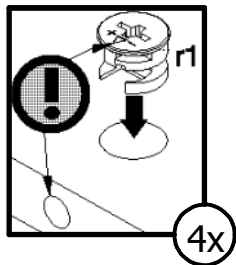
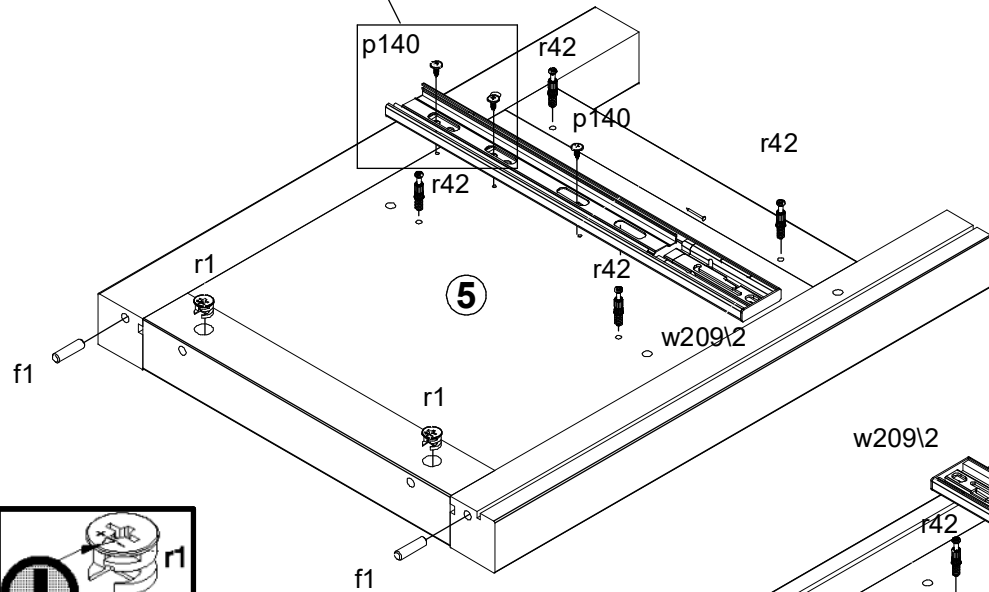
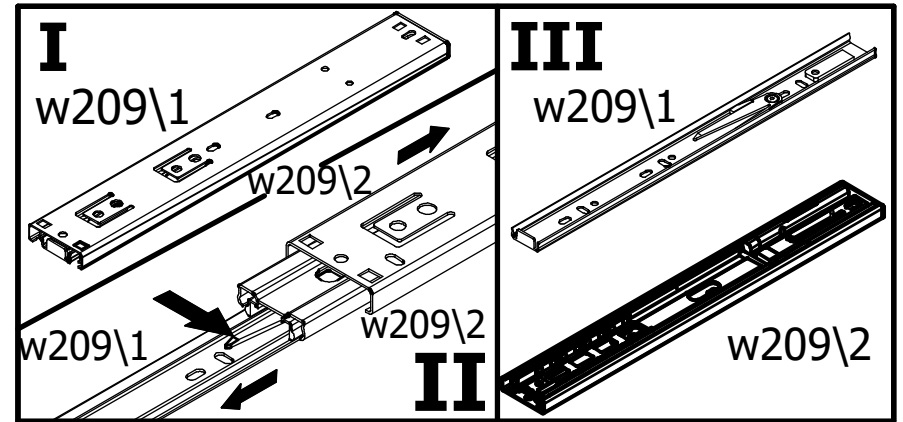
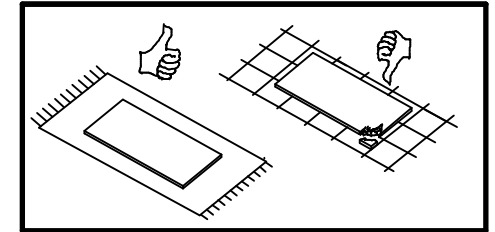
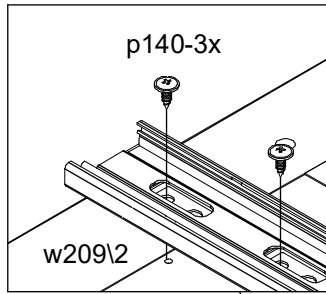
A	B1	B2	C1	C2	C3	D
1	S503-5005	-	134	50	50	1/2
2	S515-0011	-	606	160	15	2/2
3	S515-0012	-	606	160	15	2/2
4	S515-1018	A	557	445	50	1/2
5	S515-1019	A	557	445	50	1/2
6	S515-1020	A	151	404	15	1/2
7	S515-1021	A	242	404	15	1/2
8	S515-2007	A	1370	470	28	1/2
9	S515-3014	A	1221	404	15	2/2
10	S515-3015	-	1221	405	15	2/2
11	S515-5206	-	1221	50	19	1/2
12	S515-9006	-	1230	177	2,5	2/2
13	WSP-9524	-	563	408	2,5	1/2
14	ZK3-5080	-	553	97	15	2/2
15	ZK4-525	-	400	110	12	1/2
16	ZK4-526	-	400	110	12	1/2



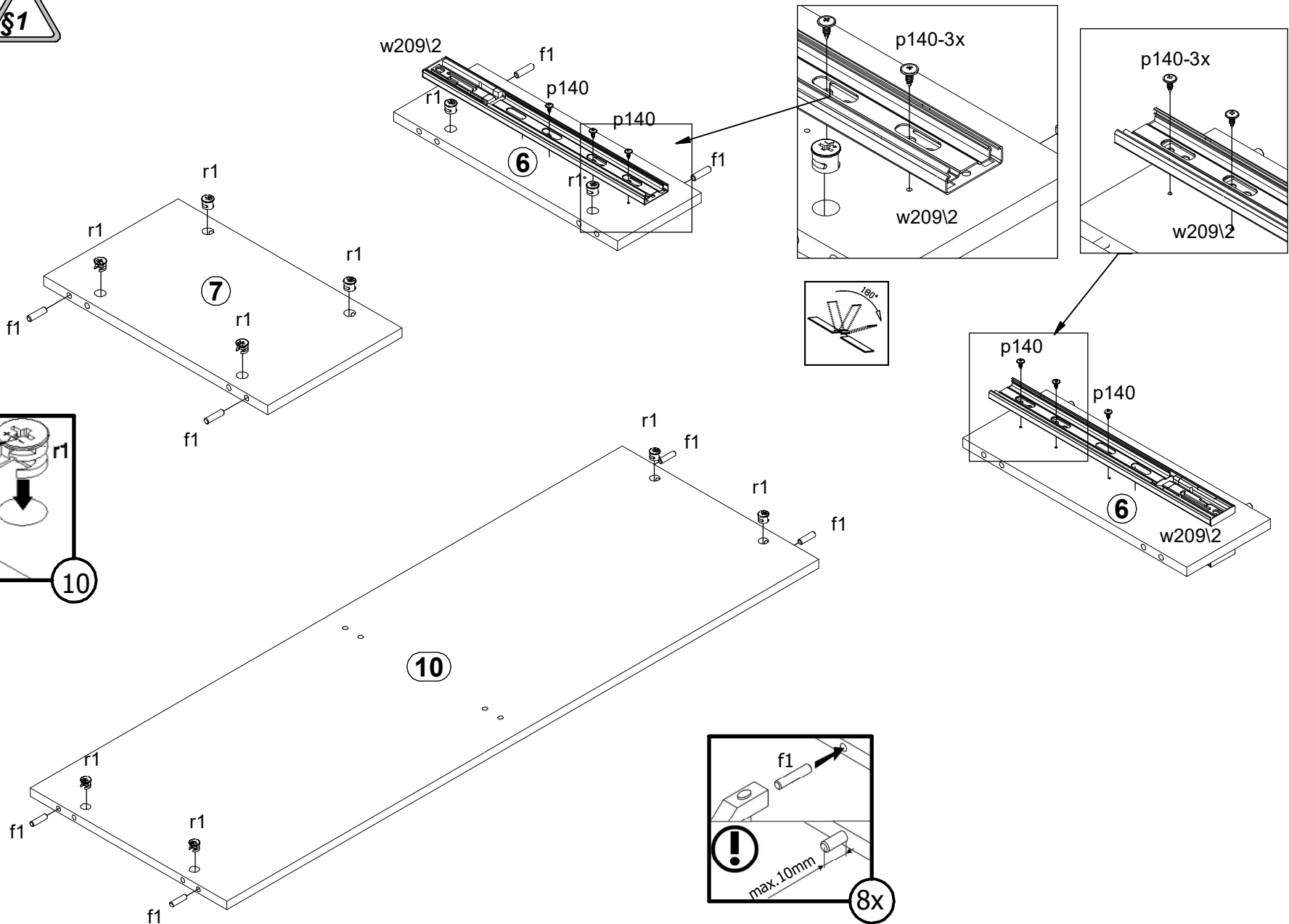
2x c475	2x M4x22 mm j30	5x k1	24x l1
6x d41/2	2x l2	36x Ø3.5x16 mm p38	4x Ø6x30 mm f9
3x Ø7x50 mm e1	18x Ø15x12 mm #16 r1	22x 20/11 r42	6x Ø16 s2
8x Ø6.5x40 mm f25	8x Ø12x10.5 mm #12 r15	16x Ø8x30 mm f1	24x Ø3.5x12 mm p140
2x Ø3.5x16 mm p25	2x Ø3.5x10 mm p35	2x 400 mm t33	2x r10
1x z1	2x Ø8x50 mm f6	4x L=400 mm w209/1	4x L=400 mm w209/2
1x Ø10x50 mm f35	1x Ø5x60 mm p17	2x Ø3.5x16 mm p38	1x 88x21x15/1.5 n14/2



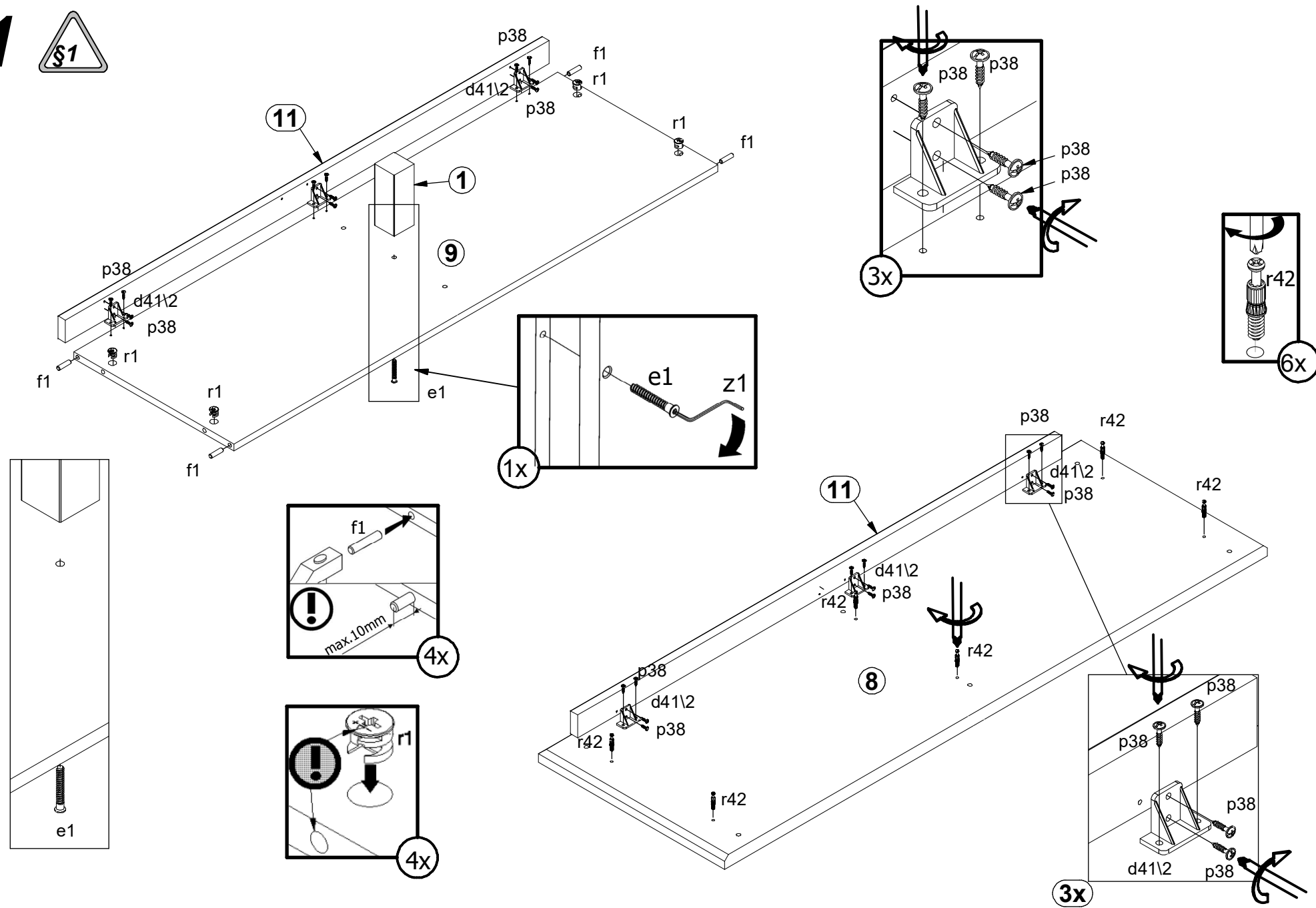
1 §1

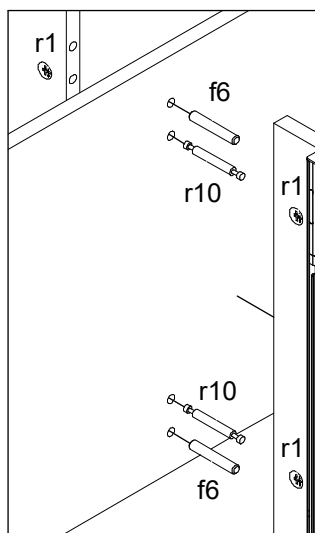
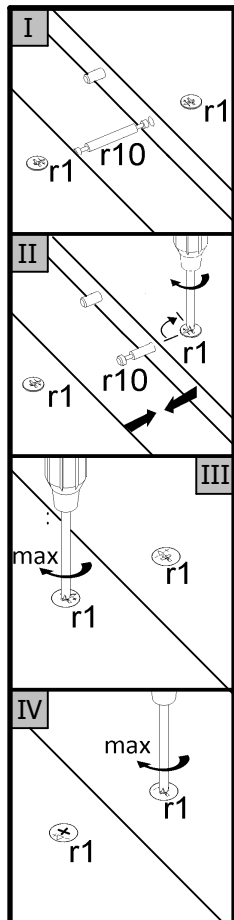


1 

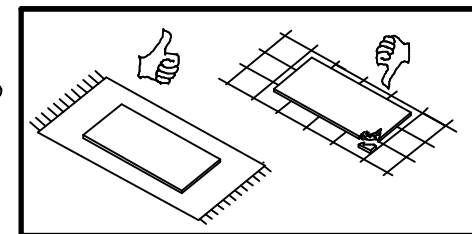
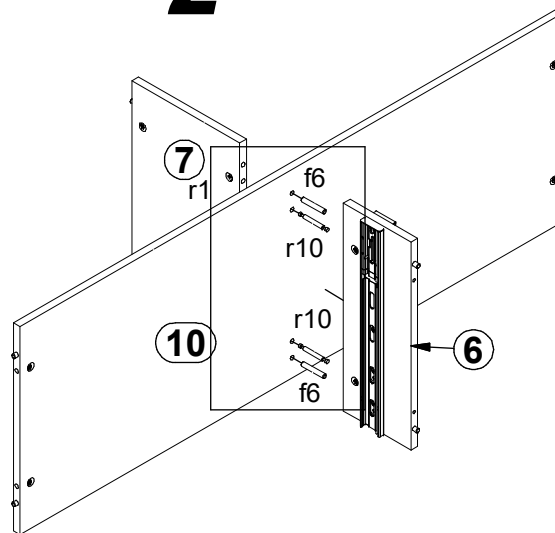


1

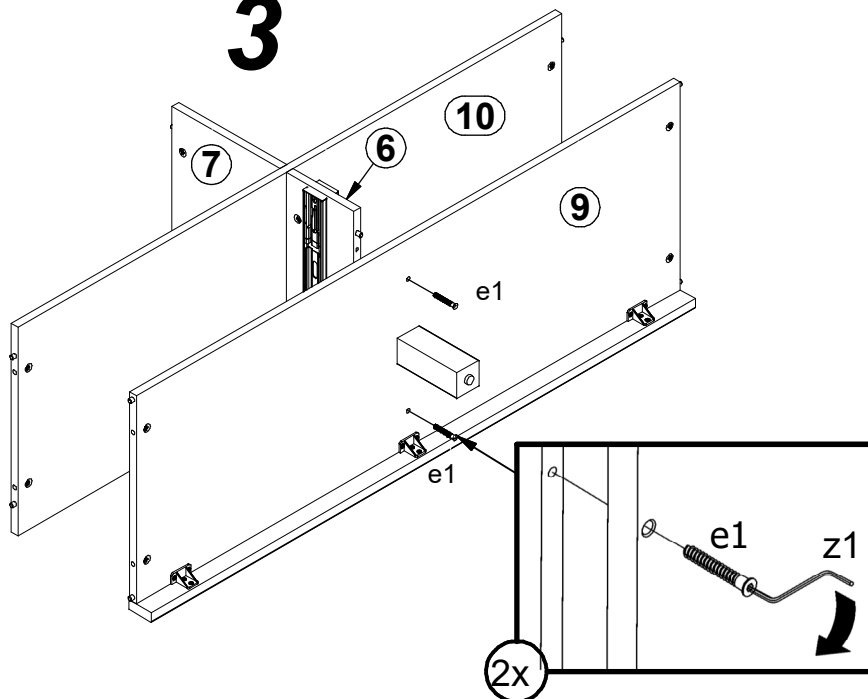




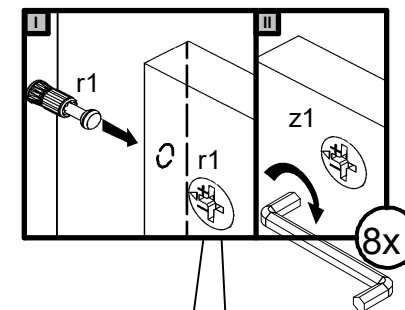
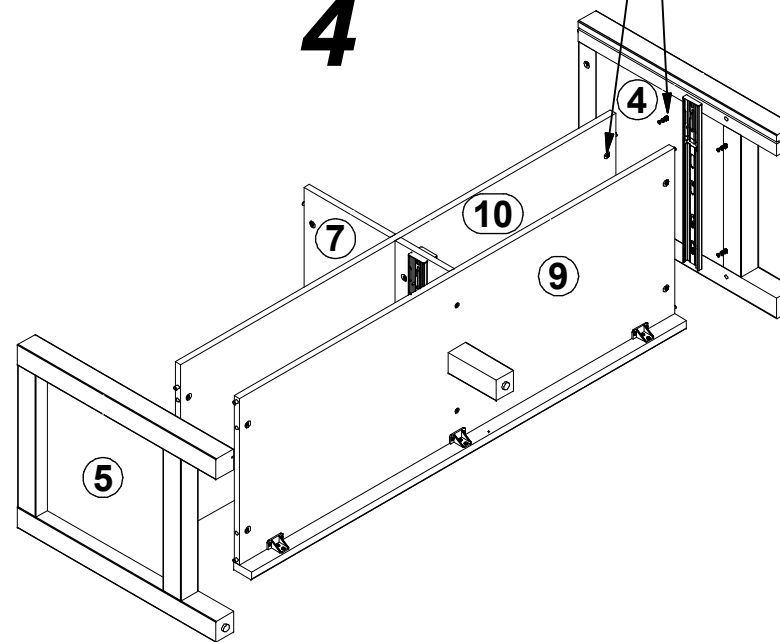
2



3

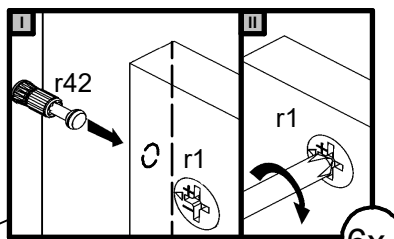
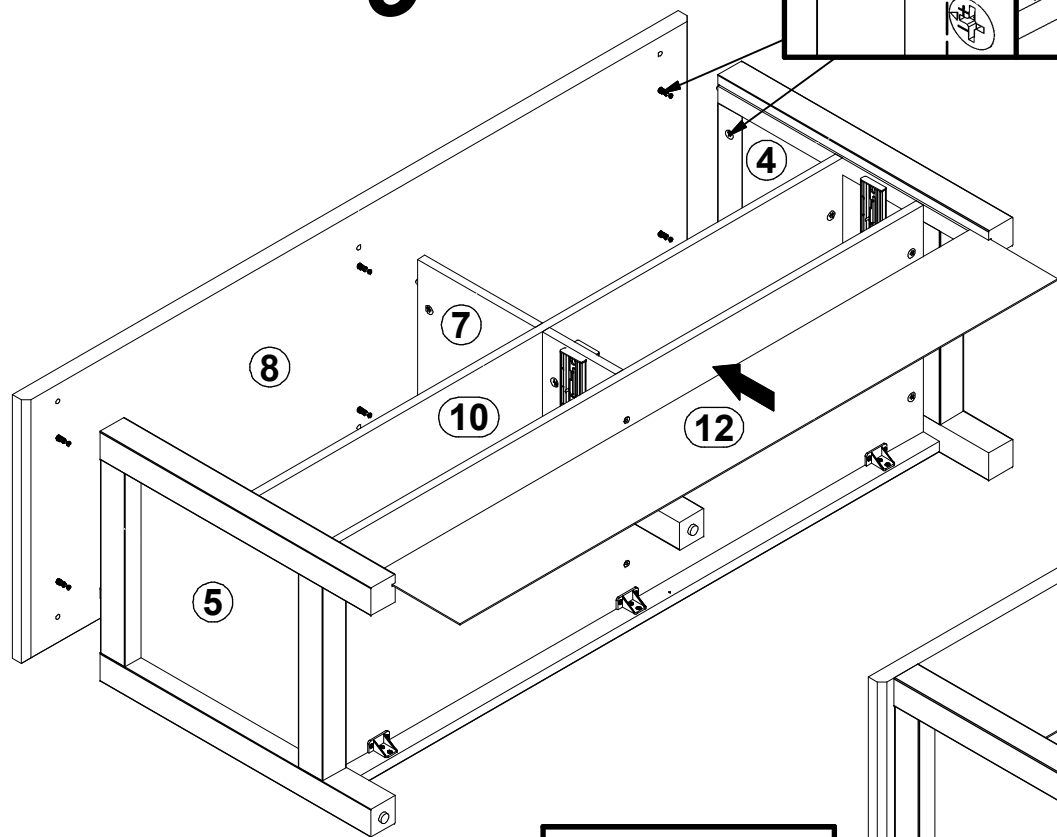


4



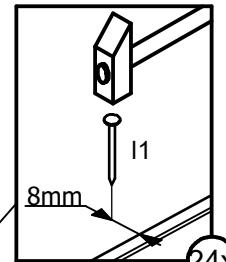
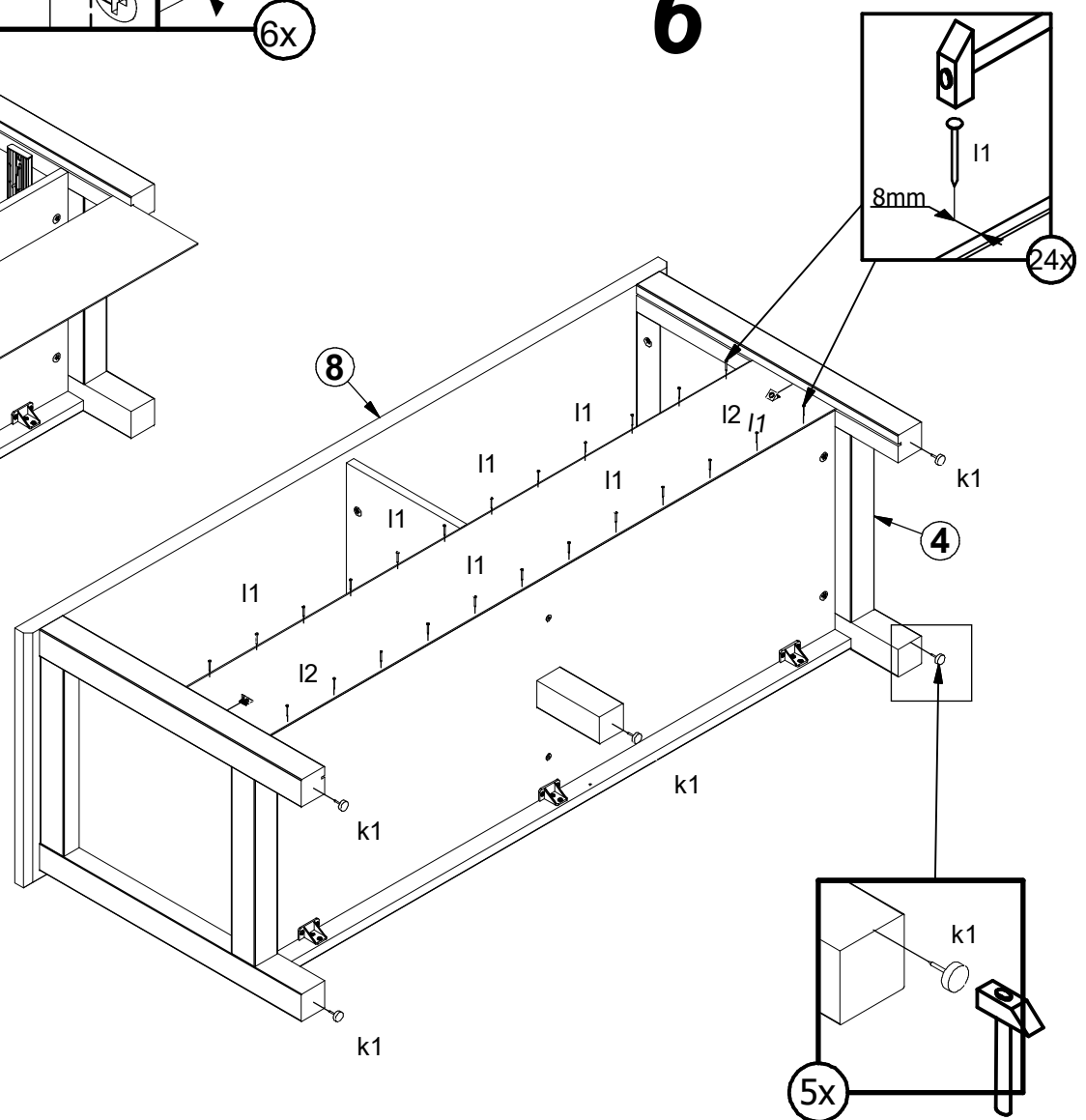


5

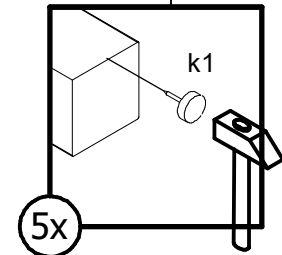
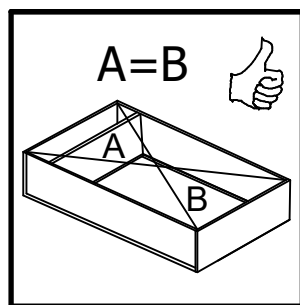


6x

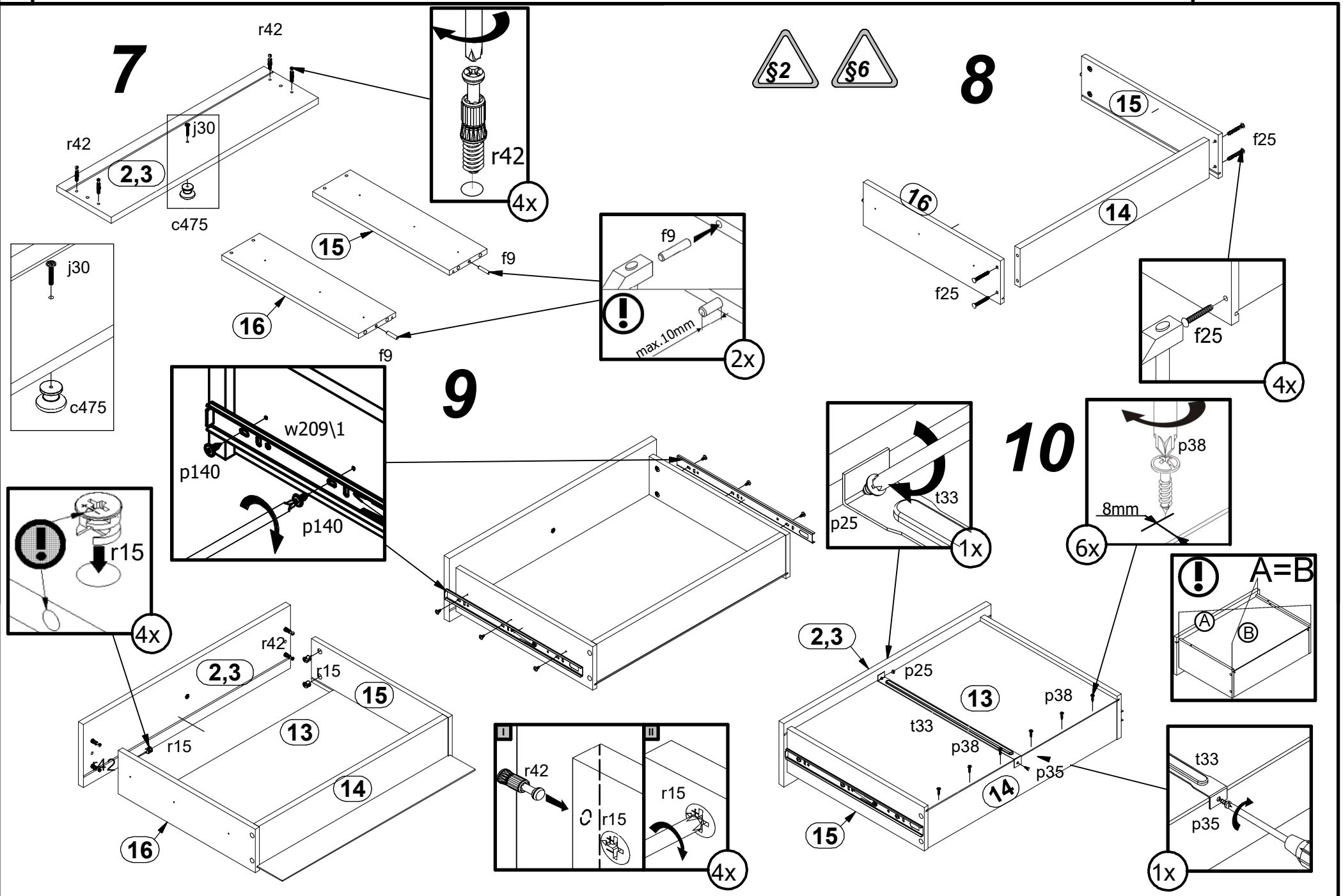
6



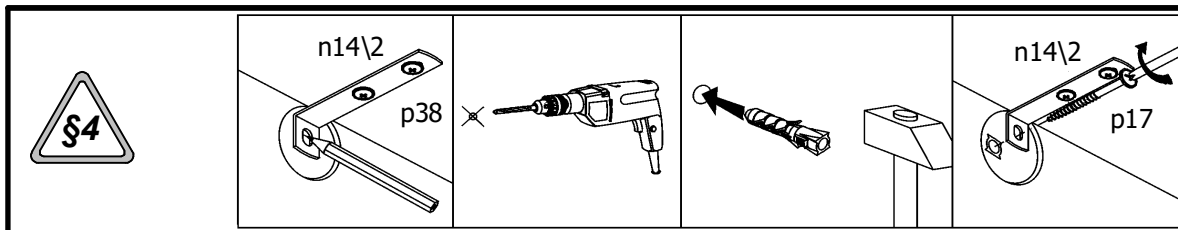
24x



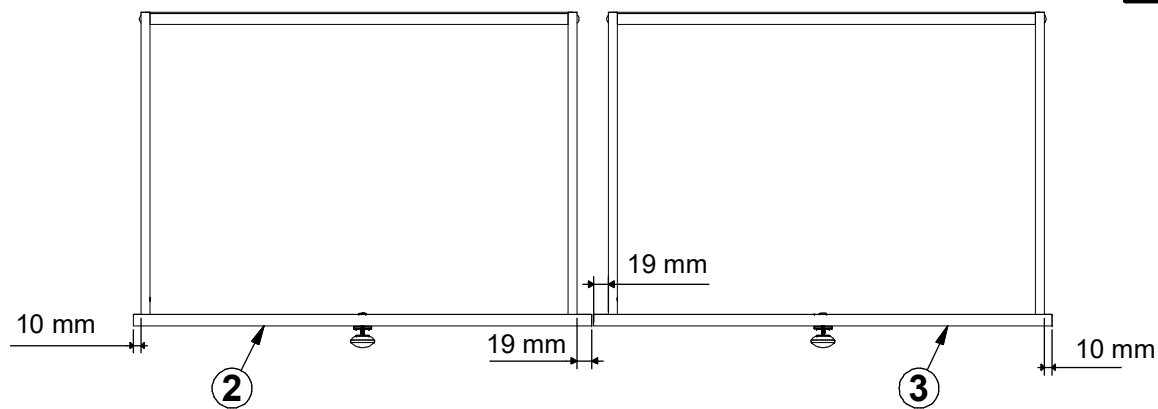
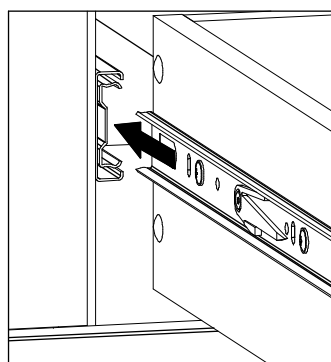
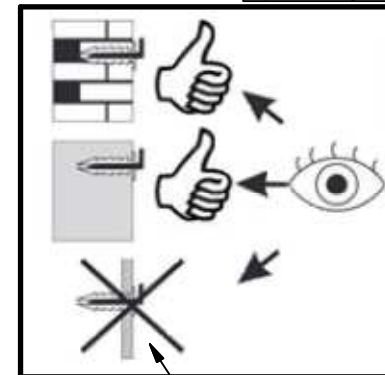
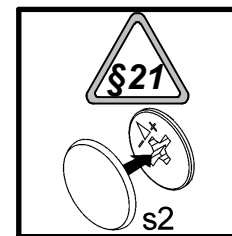
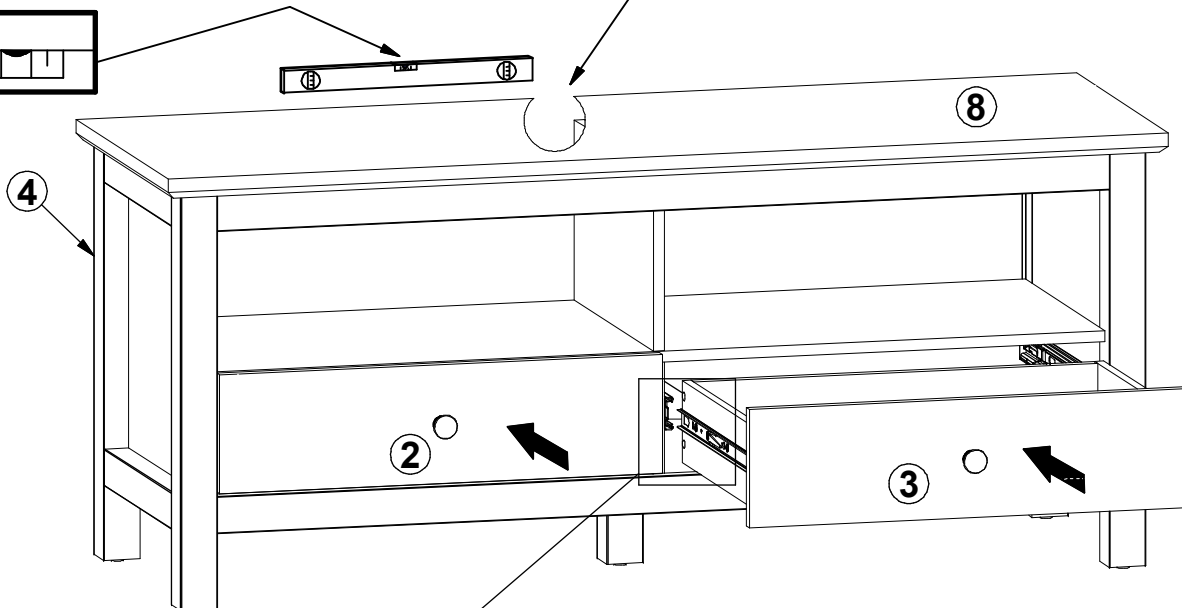
5x



11



- 1x f35
Ø10x50 mm
- 1x n14\2
88x21x15/1.5
- 1x p17
Ø5x60 mm
- 2x p38
Ø3.5x16 mm



12

