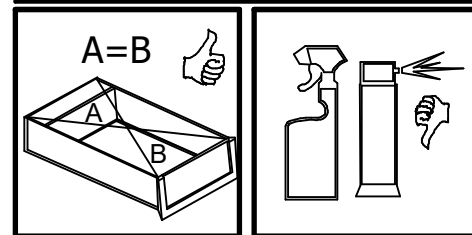
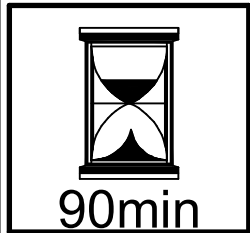
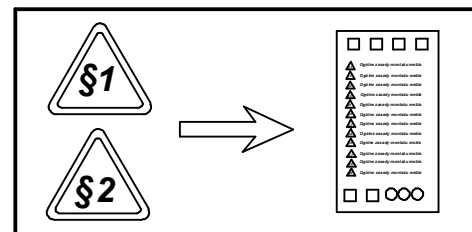
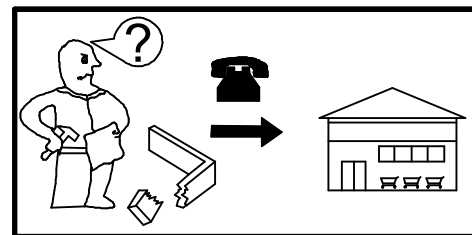
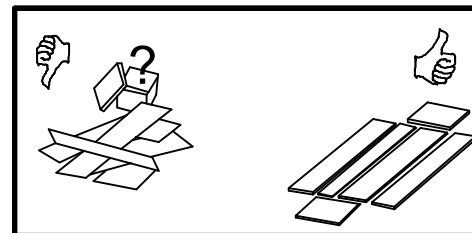
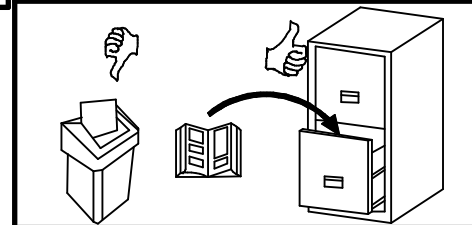
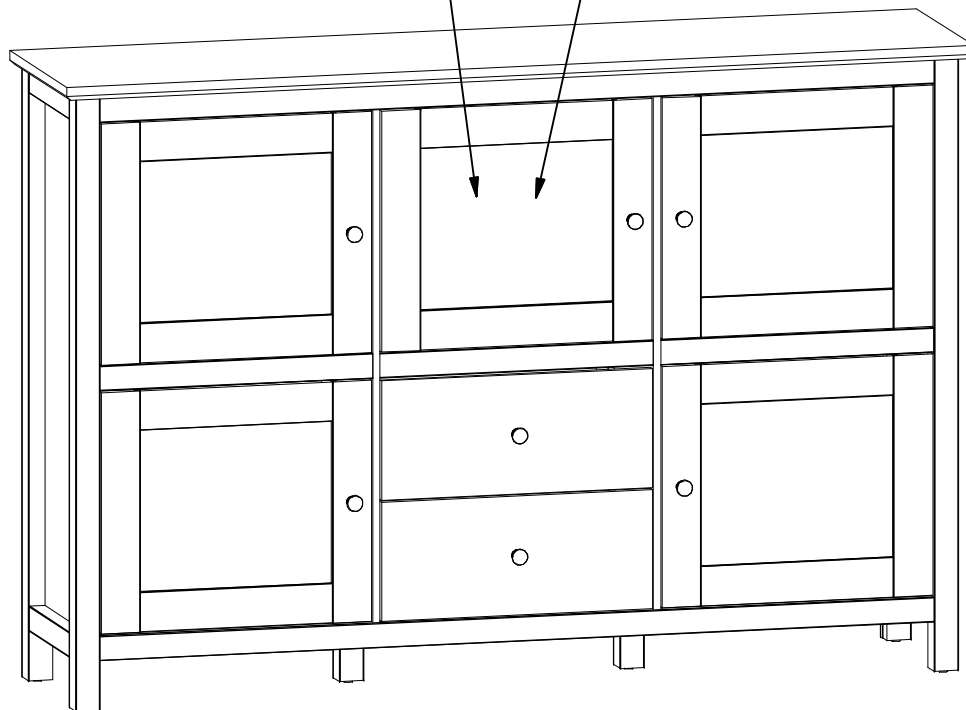
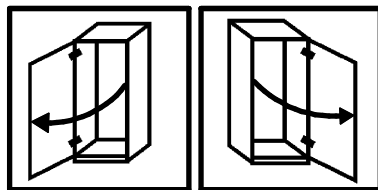
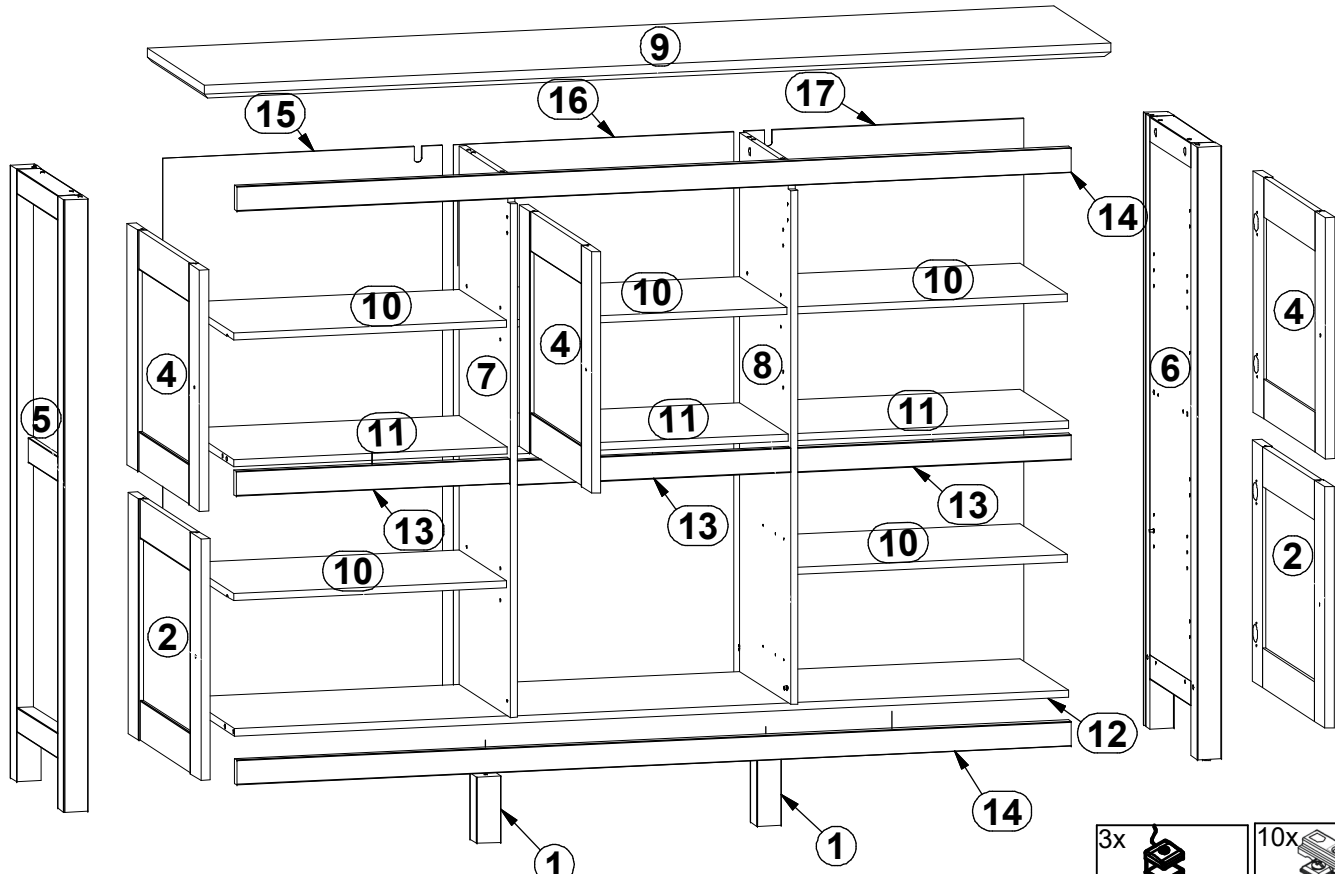
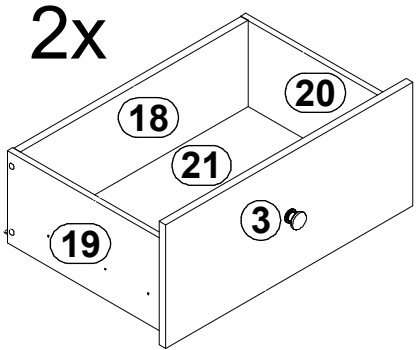


§19





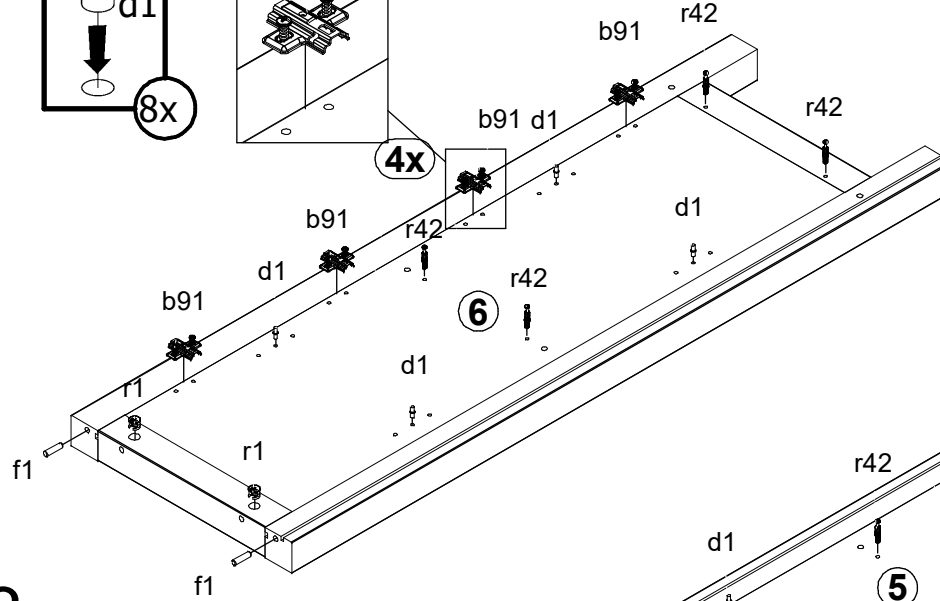
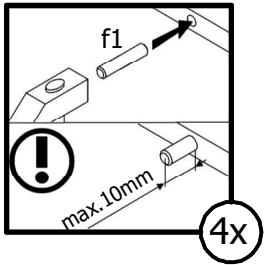
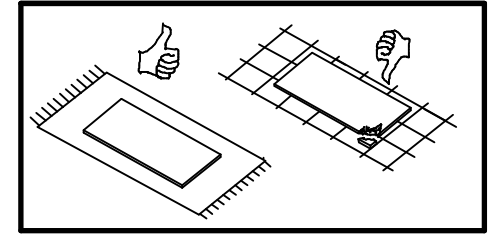
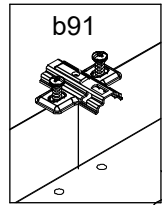
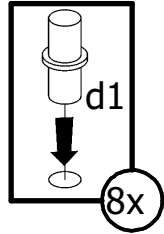
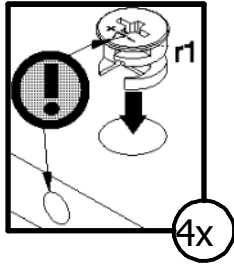
A	B1	B2	C1	C2	C3	D
1	S503-5005	-	134	50	50	2/4
2	S515-0004	-	486	555	19	3/4
3	S515-0005	-	555	240	15	3/4
4	S515-0016	-	486	555	19	3/4
5	S515-1031	A	1234	413	50	2/4
6	S515-1032	A	1234	413	50	2/4
7	S515-1033	A	1085	390	15	1/4
8	S515-1034	A	1085	390	15	1/4
9	S515-2009	A	1862	438	28	4/4
10	S515-3005	A	560	362	15	1/4
11	S515-3006	A	561	370	15	2/4
12	S515-3020	A	1713	372	15	4/4
13	S515-5203	-	561	50	19	3/4
14	S515-5207	-	1713	50	19	4/4
15	S515-9013	-	1103	574	2,5	3/4
16	S515-9014	-	1103	575	2,5	3/4
17	S515-9015	-	1103	574	2,5	3/4
18	ZK3-5074	-	511	167	15	2/4
19	ZK4-503	-	350	180	12	1/4
20	ZK4-504	-	350	180	12	1/4
21	WSP-9560	B	522	358	2,5	3/4



1x z1	10x Ø2,9x16 mm p55	10x 20x13x3,5 n108	12x d41/2
3x d-16 mm o114	10x b91	10x k16; Ø35 a203	5x M4x25 mm j8
2x M4x22 mm j30	2x 350 mm t35	20x Ø5x17 mm d1	6x k1
2x Ø3,5x16 mm p25	4x Ø8x50 mm f6	7x c475	34x l1
1x 6W Ø60 3 4	4x w210/1	9x l2	56x Ø3,5x16 mm p38
2x Ø3,5x10 mm p35	4x r10	5x Ø6,3x15 mm d4	20x Ø3,5x15 mm p51
4x f9	4x w210/2	6x Ø7x50 mm e1	24x Ø15x12 mm #16 r1
2x f35	4x f9	8x Ø6,5x40 mm f25	24x 20/11 r42
2x p17	4x f1	8x Ø12x10,5 mm #12 r15	8x Ø16 s2
4x p38	24x p140	2x Ø10x50 mm f35	20x Ø8x30 mm f1
2x n14/2		2x Ø5x60 mm p17	2x Ø3,5x16 mm p38



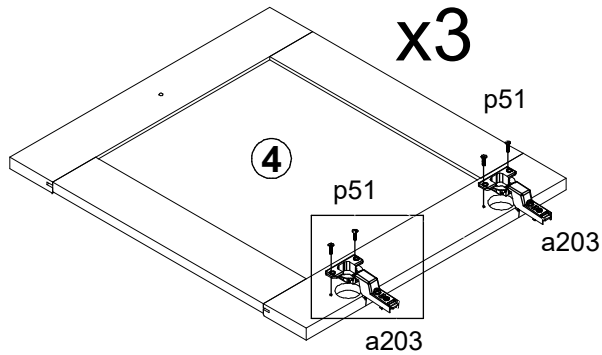
1 §1



6

4x

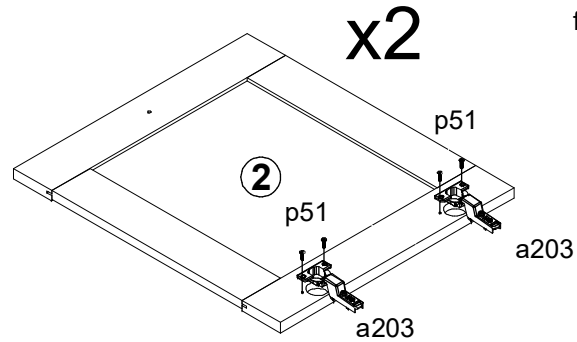
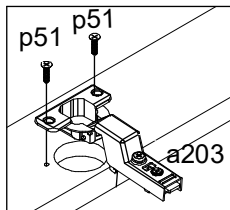
4x



3

4

4x



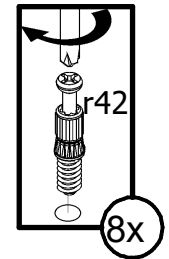
2

2

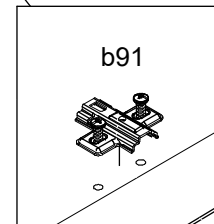
4x

4x

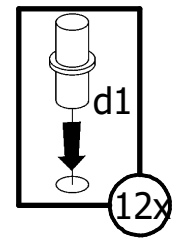
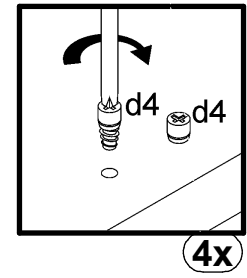
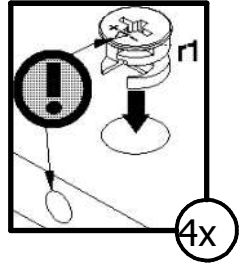
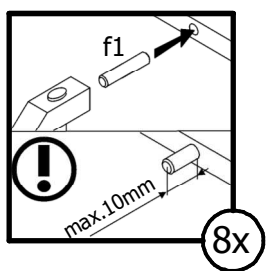
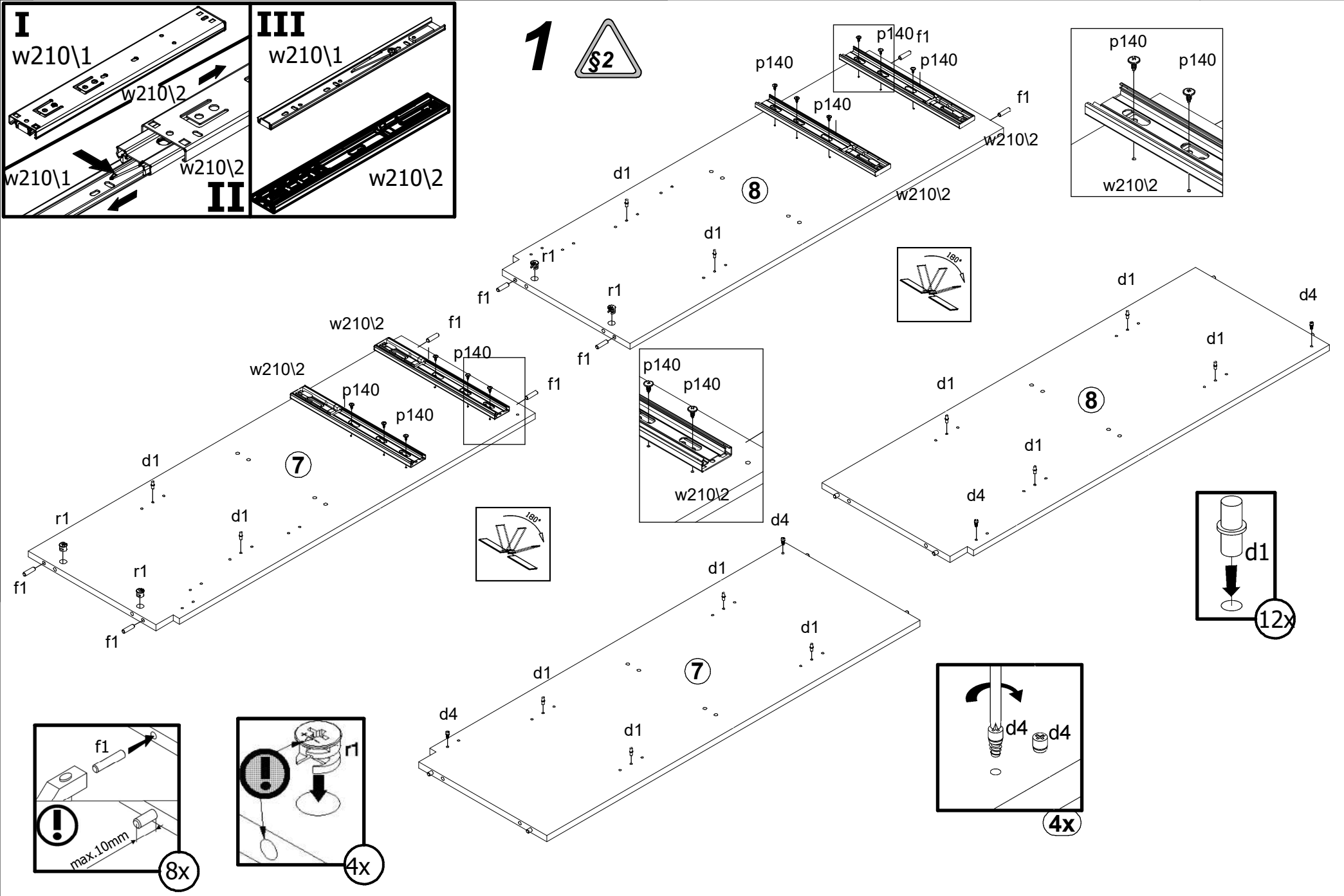
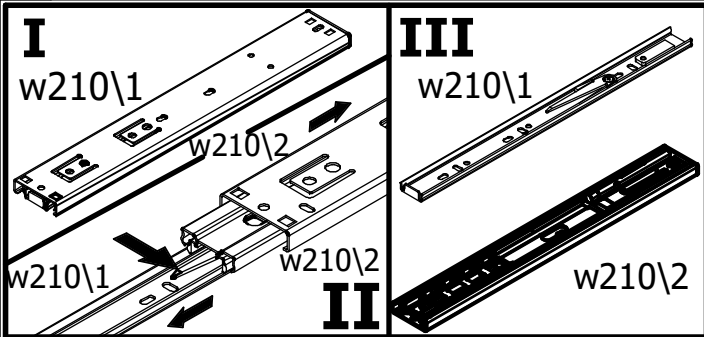
5



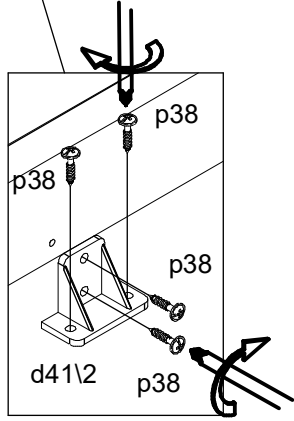
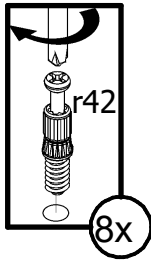
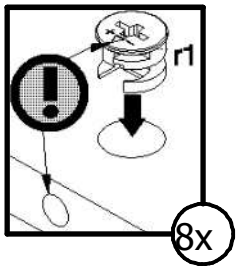
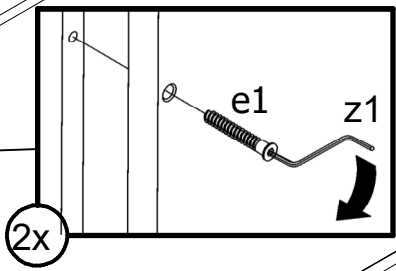
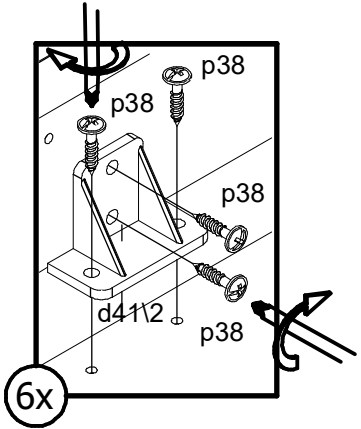
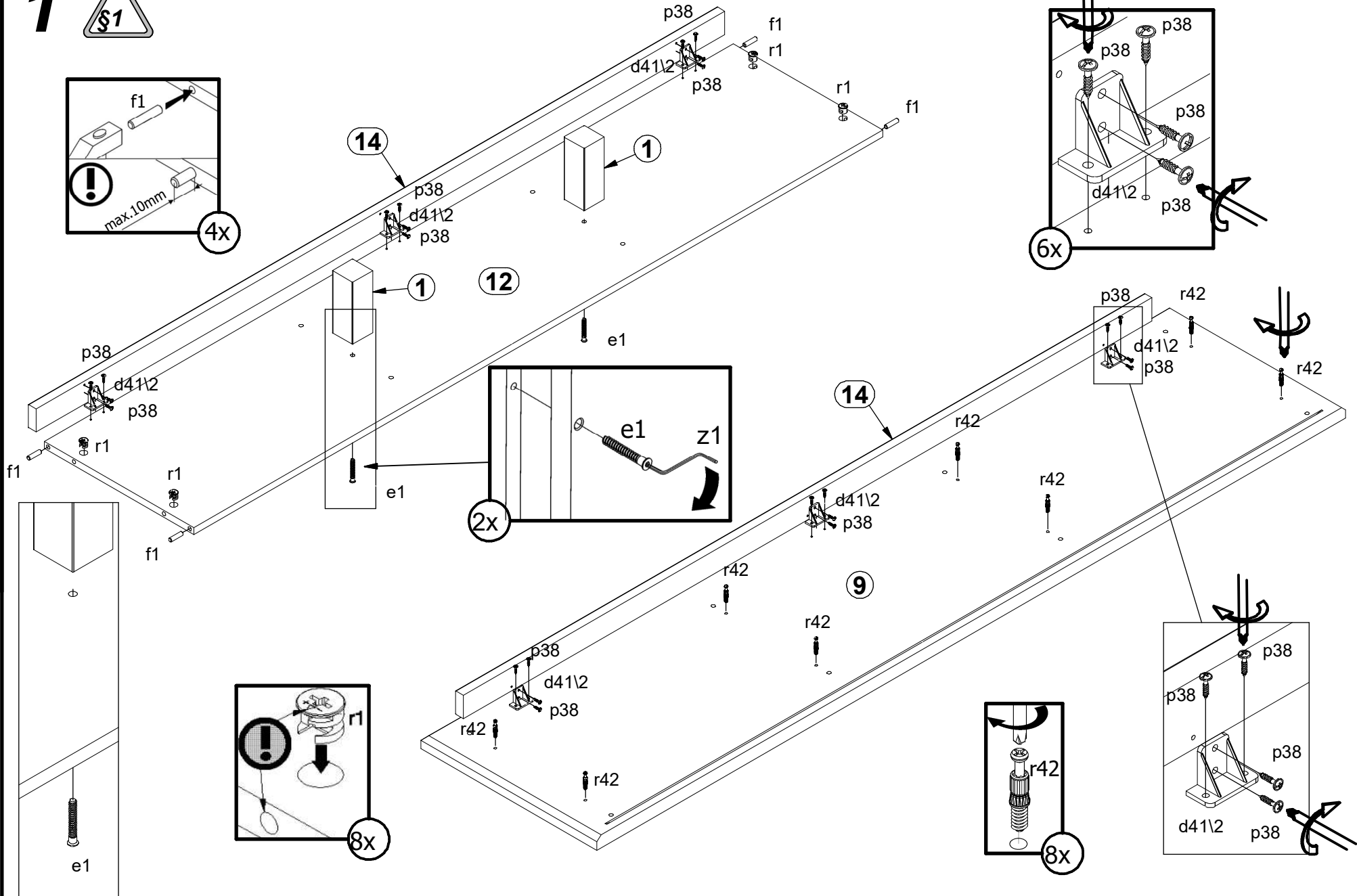
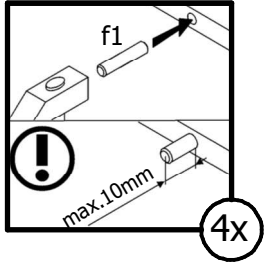
8x

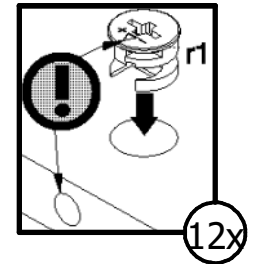
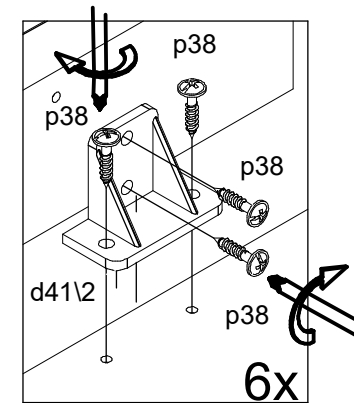
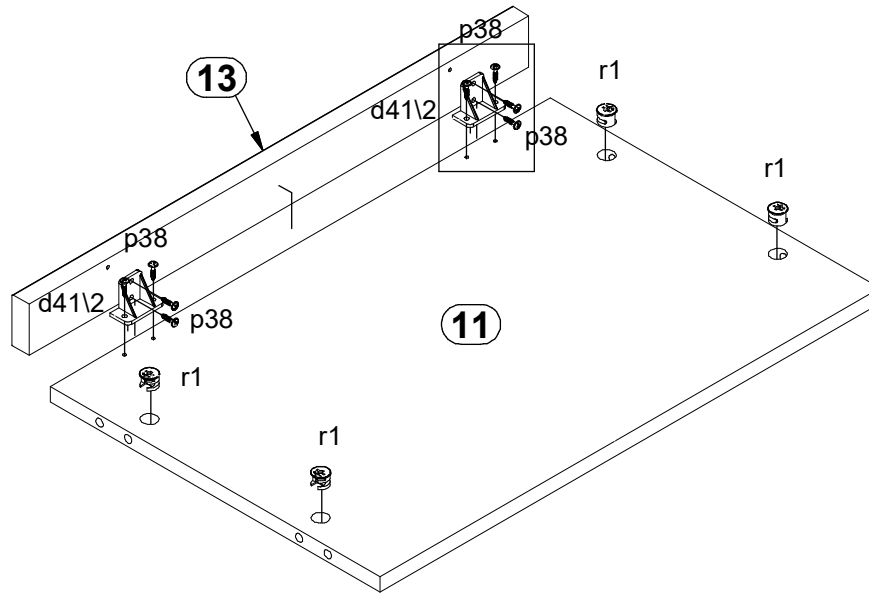
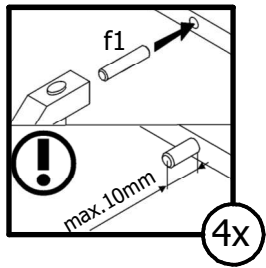
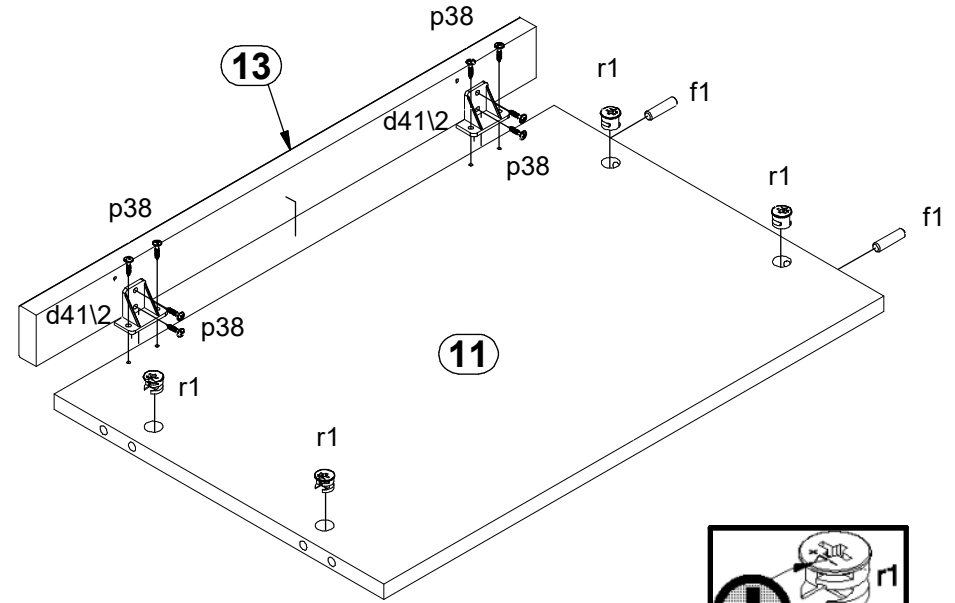
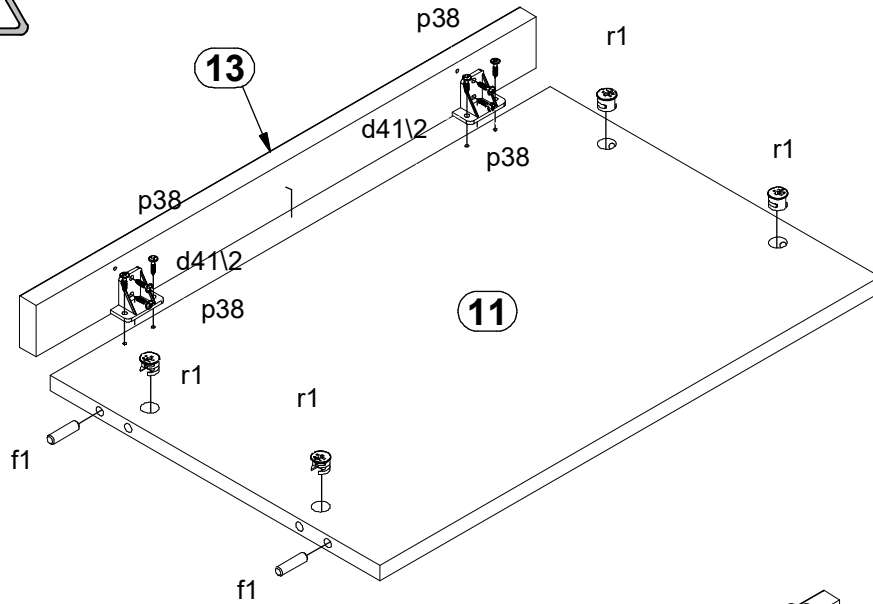


4x



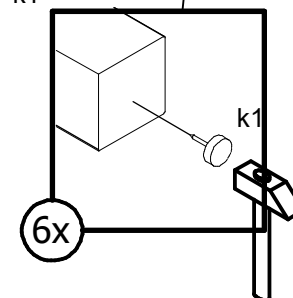
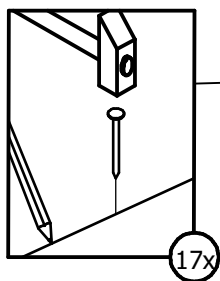
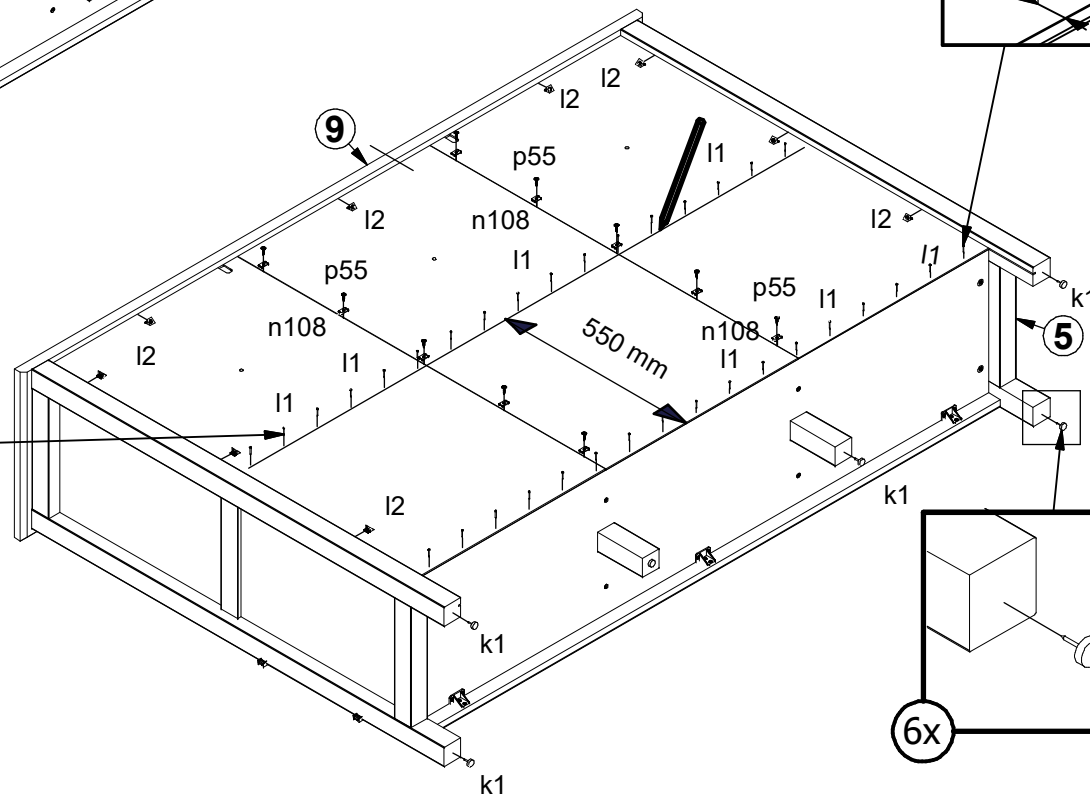
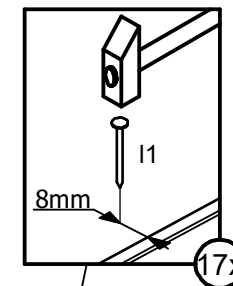
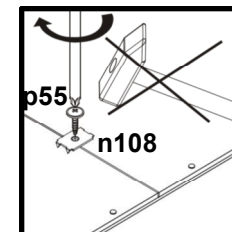
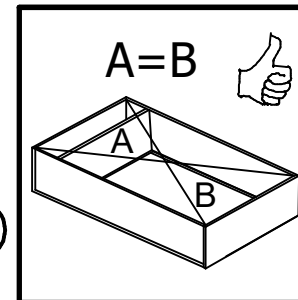
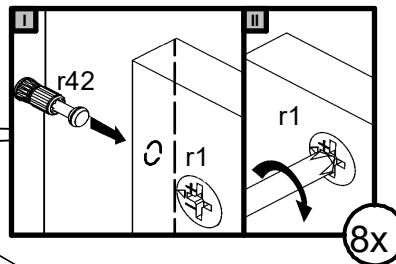
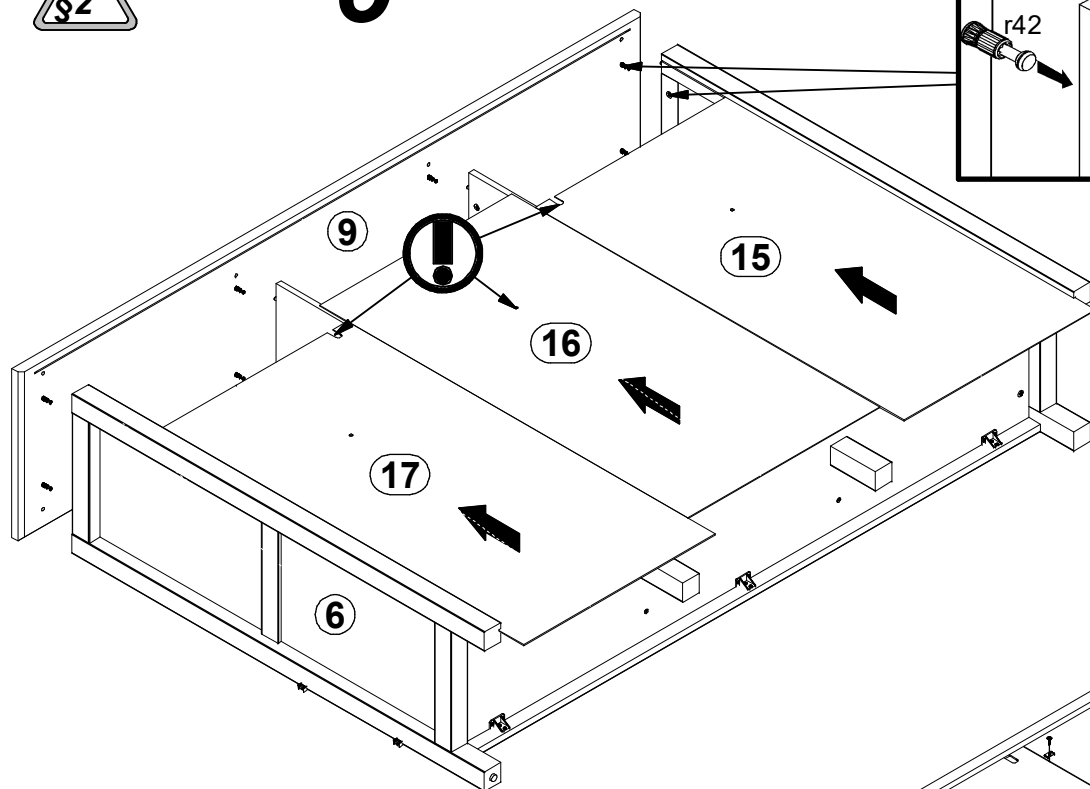
1 

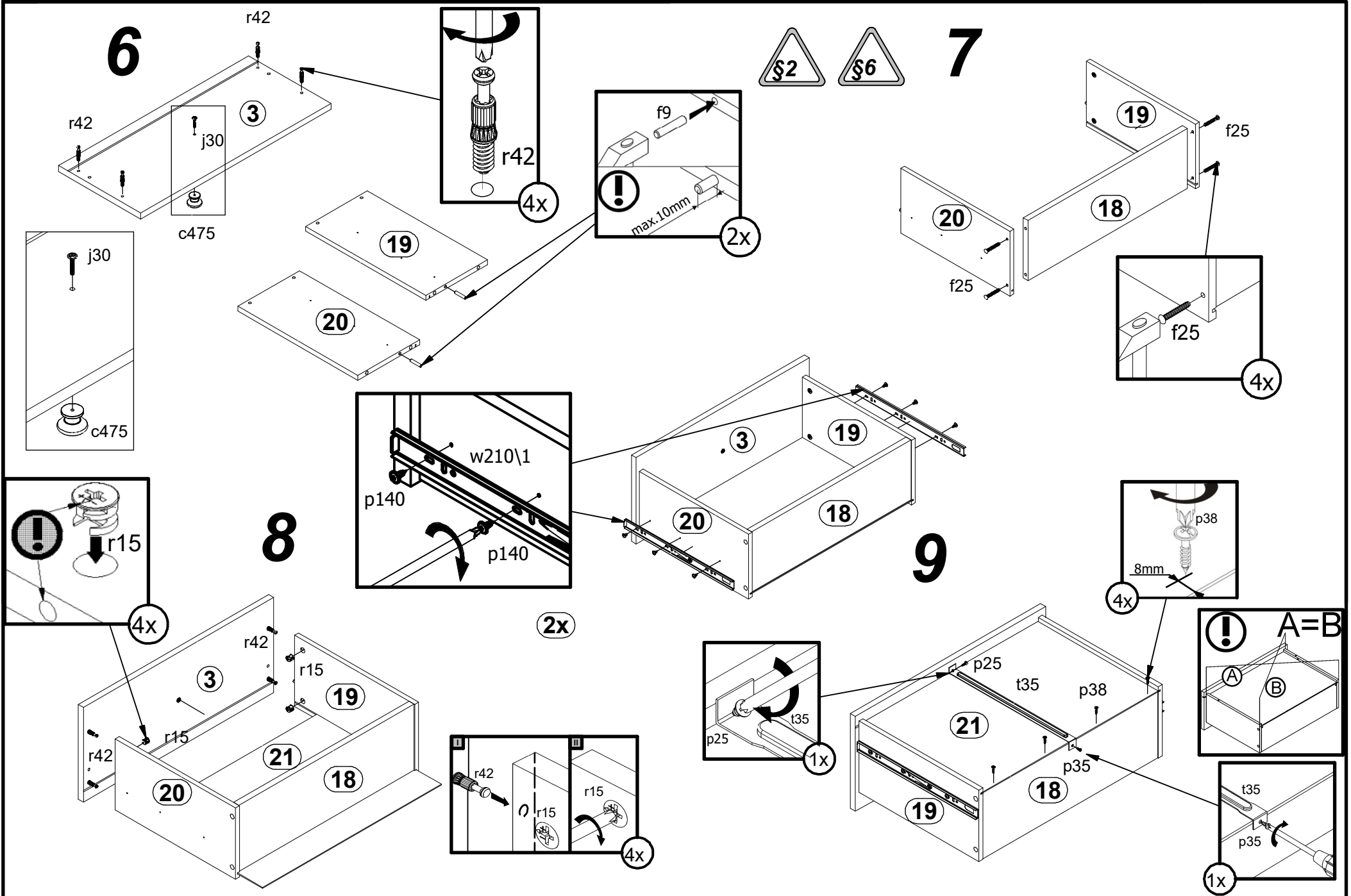




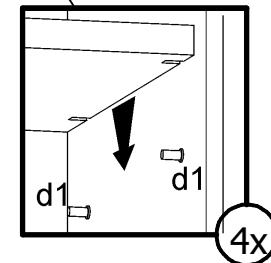
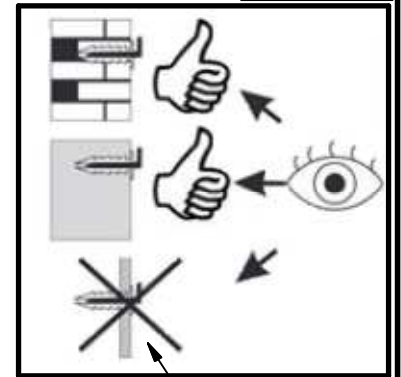
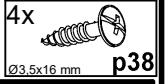
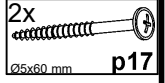
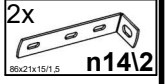
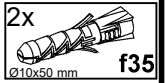
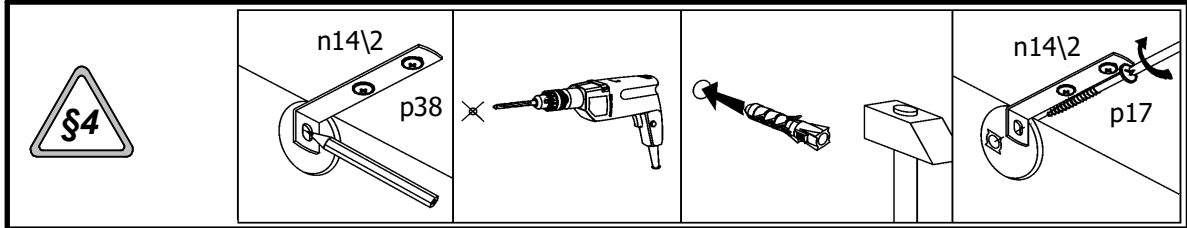
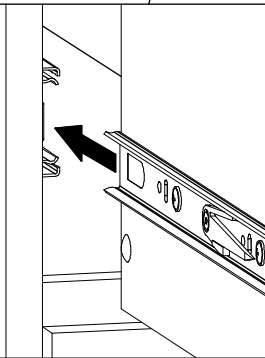
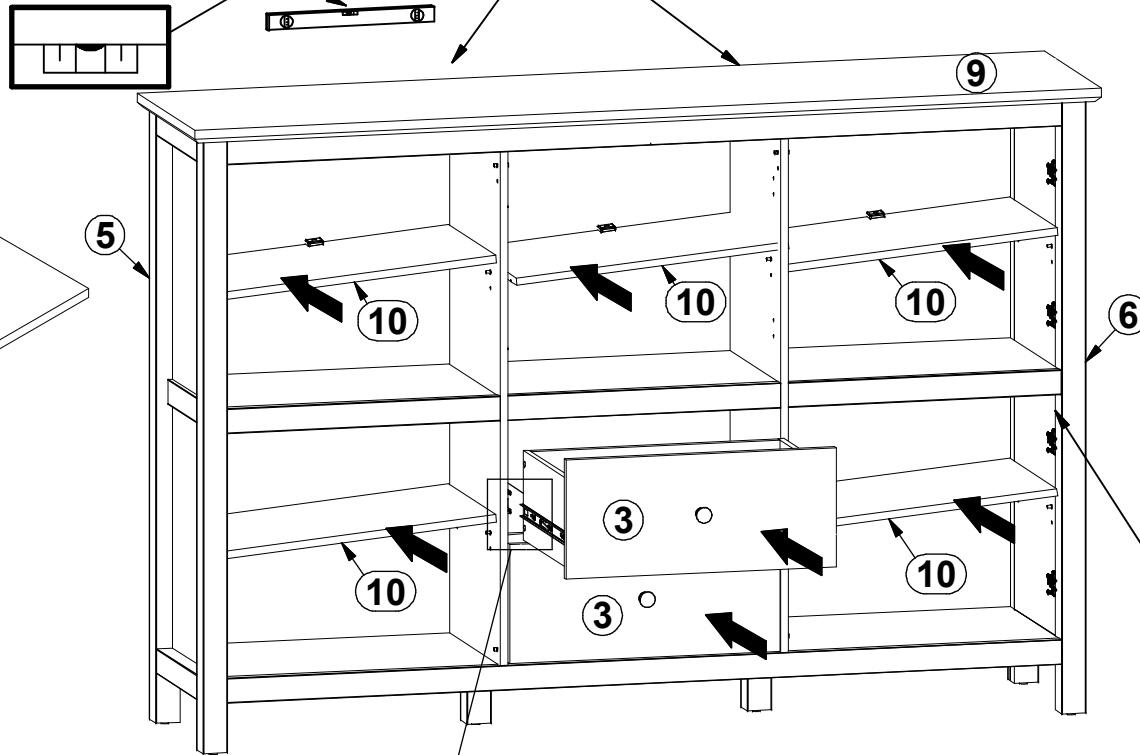
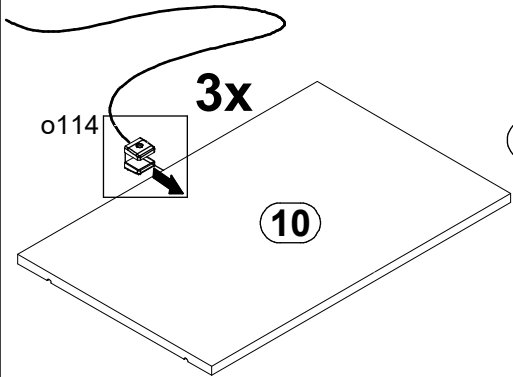
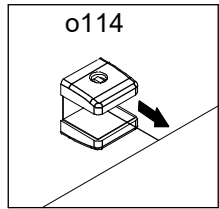


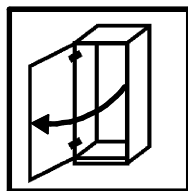
5



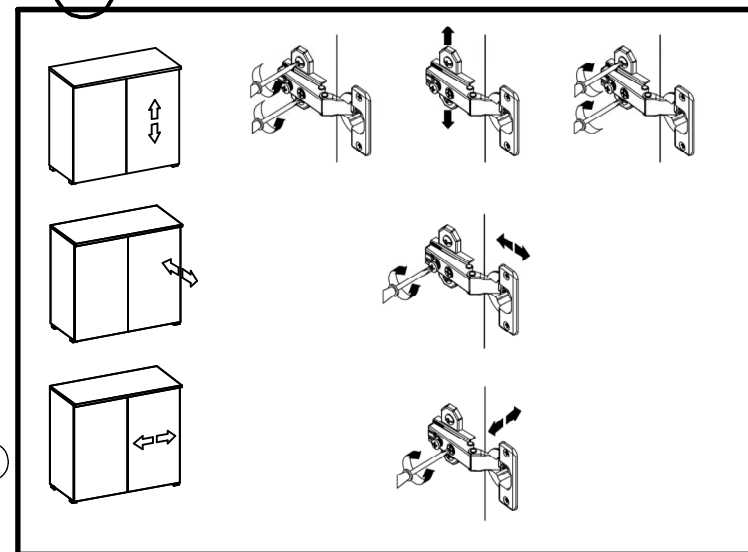
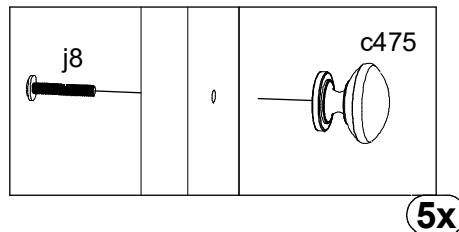
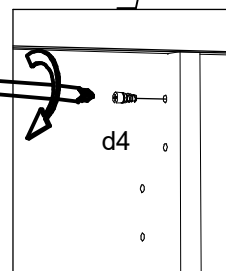
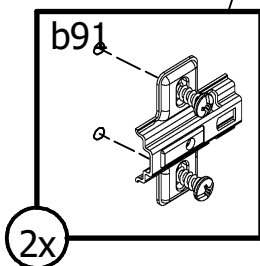
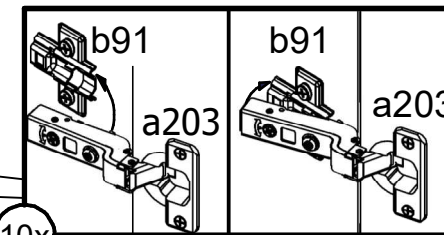
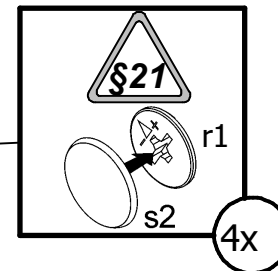
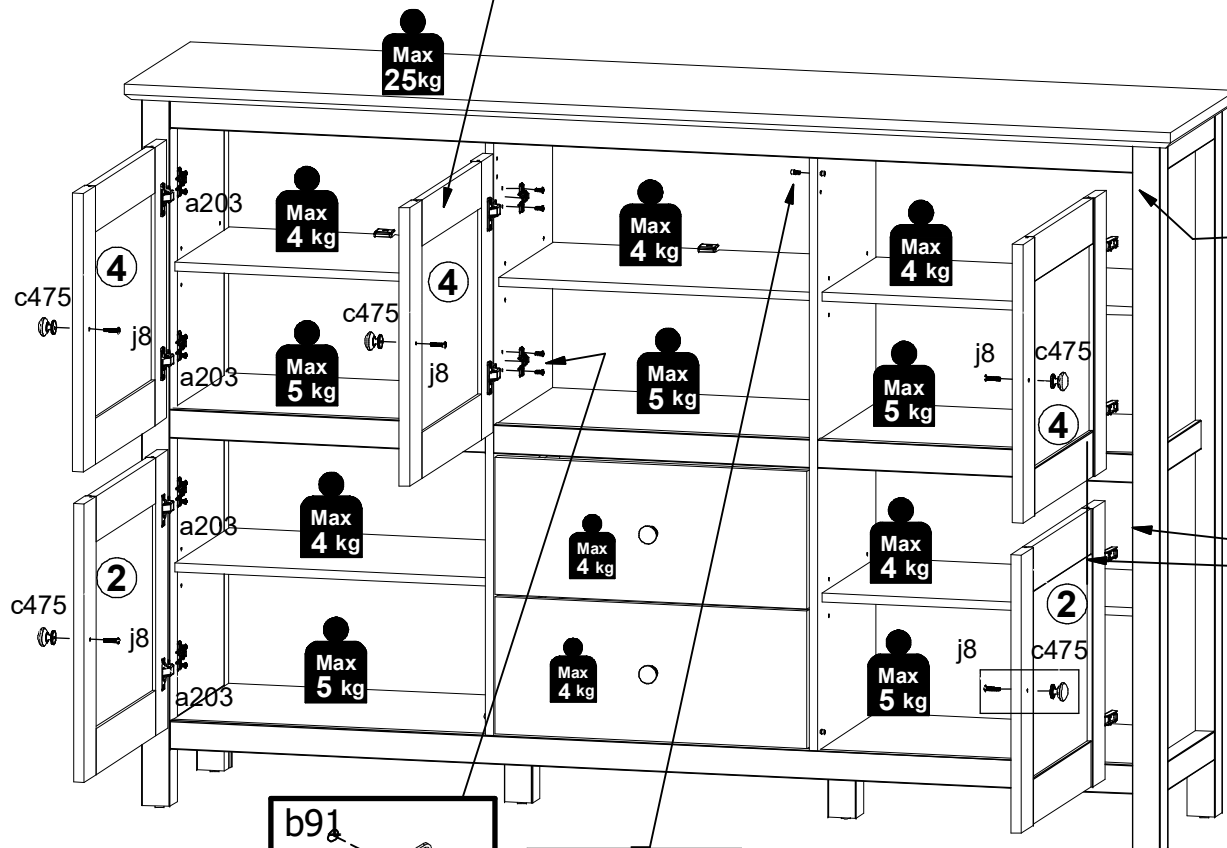
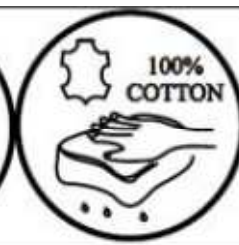


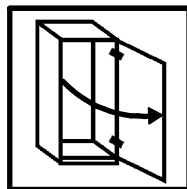
10



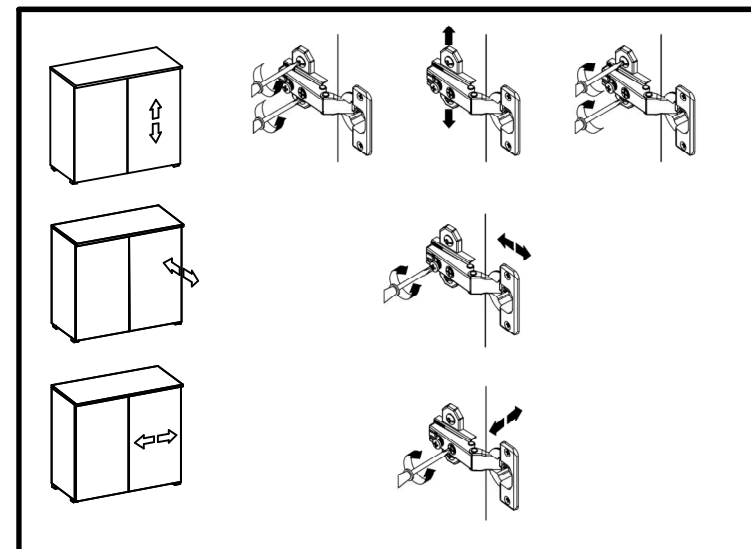
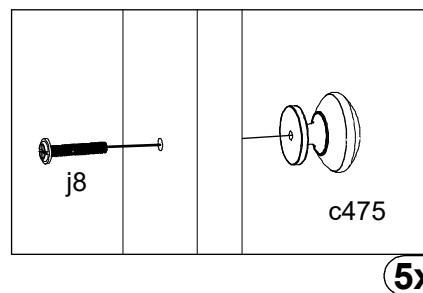
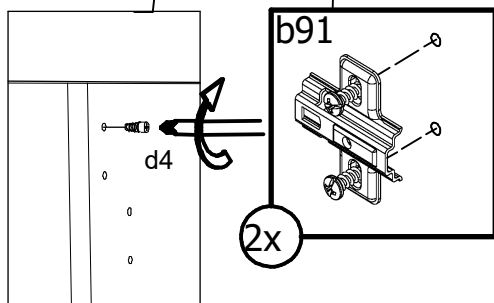
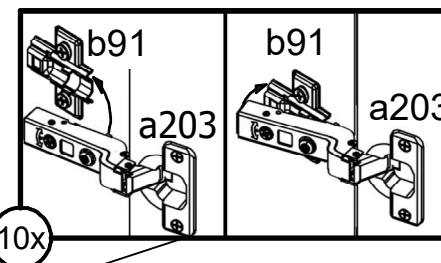
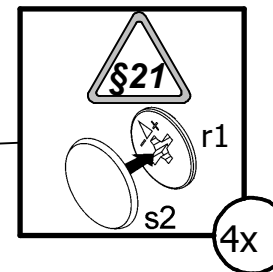
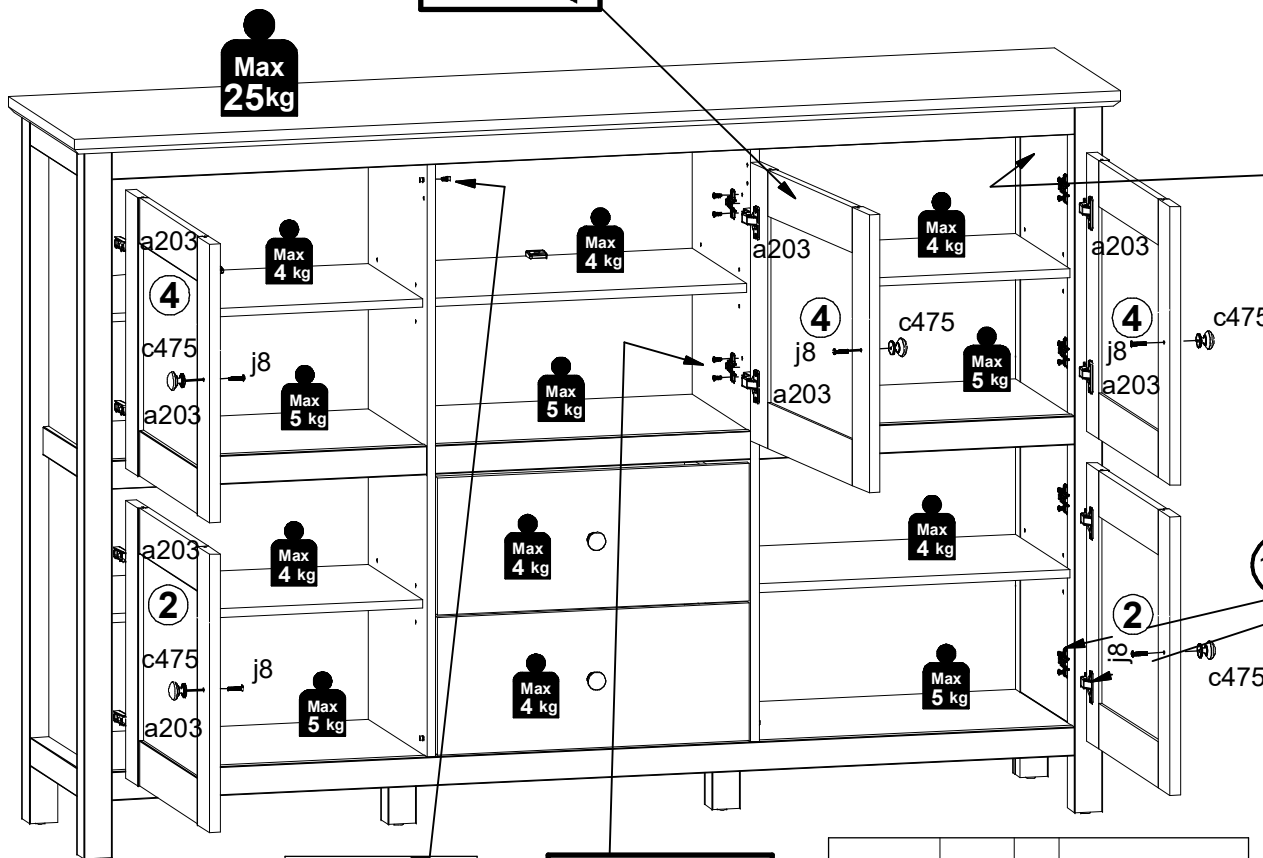
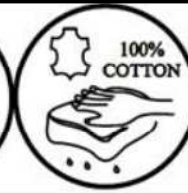


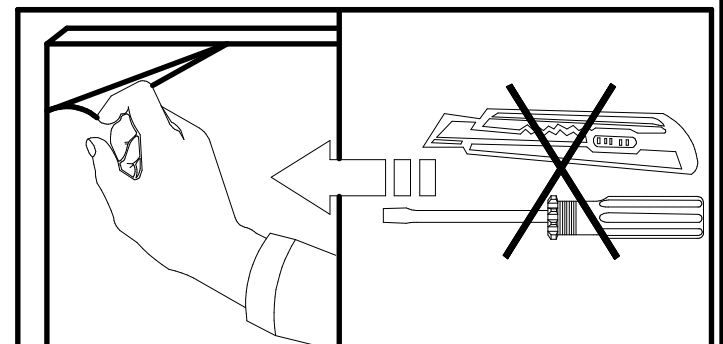
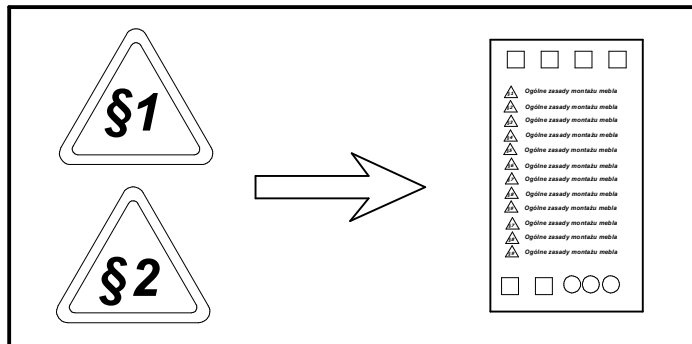
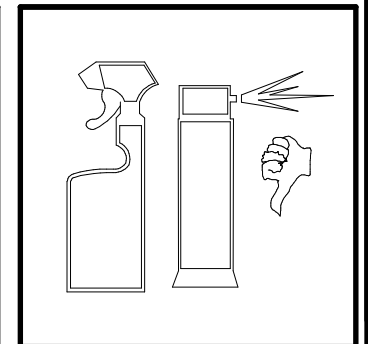
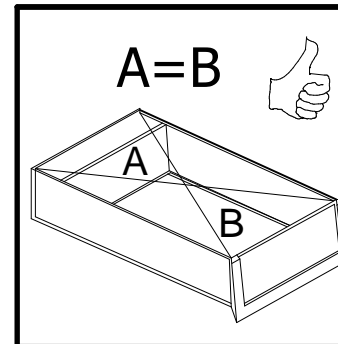
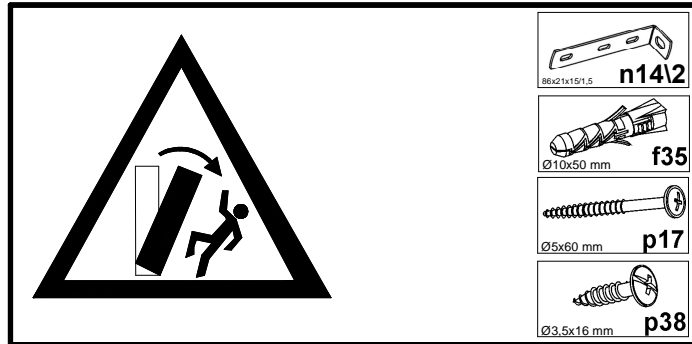
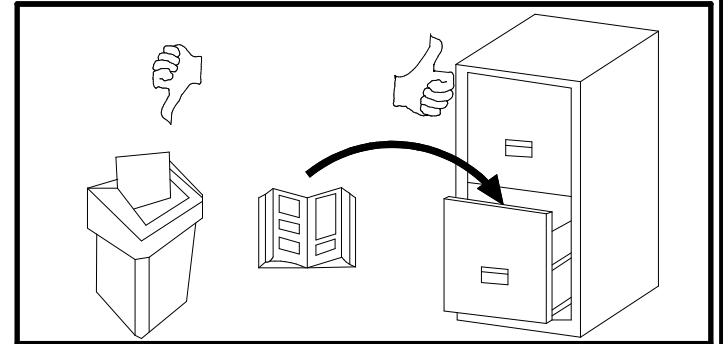
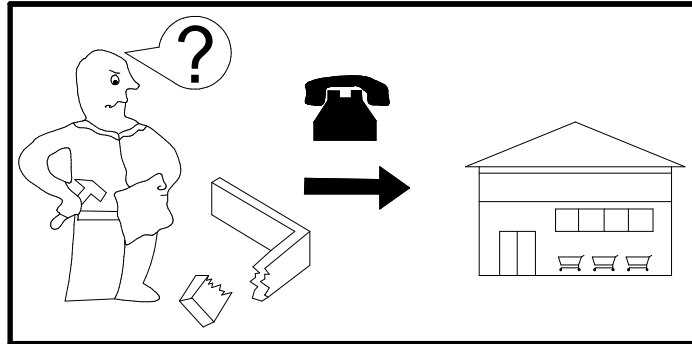
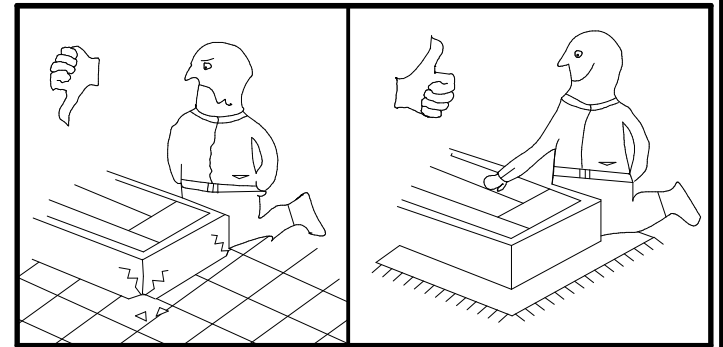
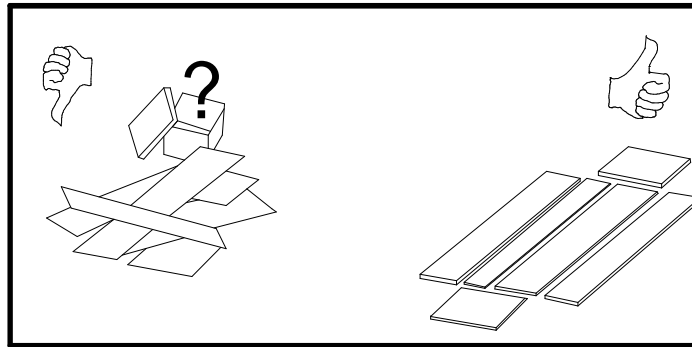
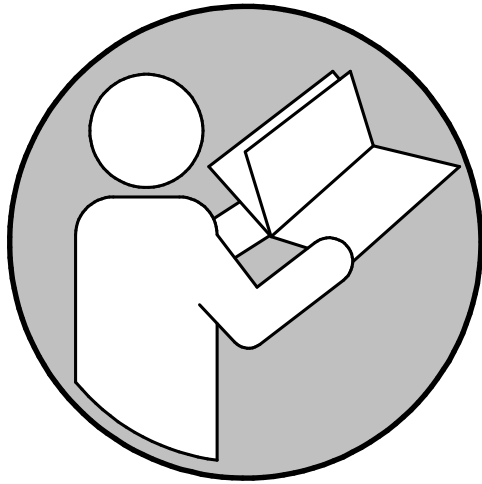
11





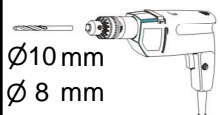
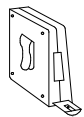
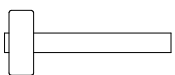
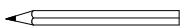
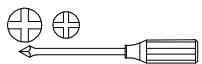
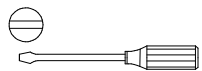
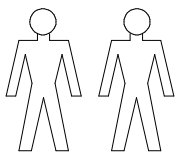
11



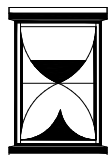
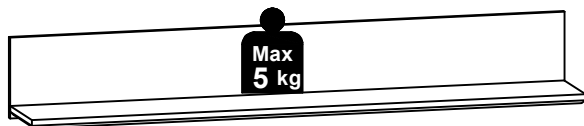


A**S515-P/2/18**

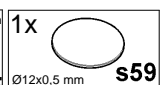
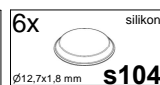
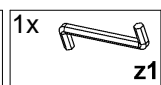
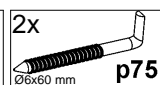
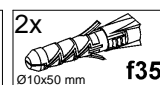
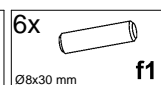
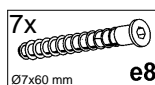
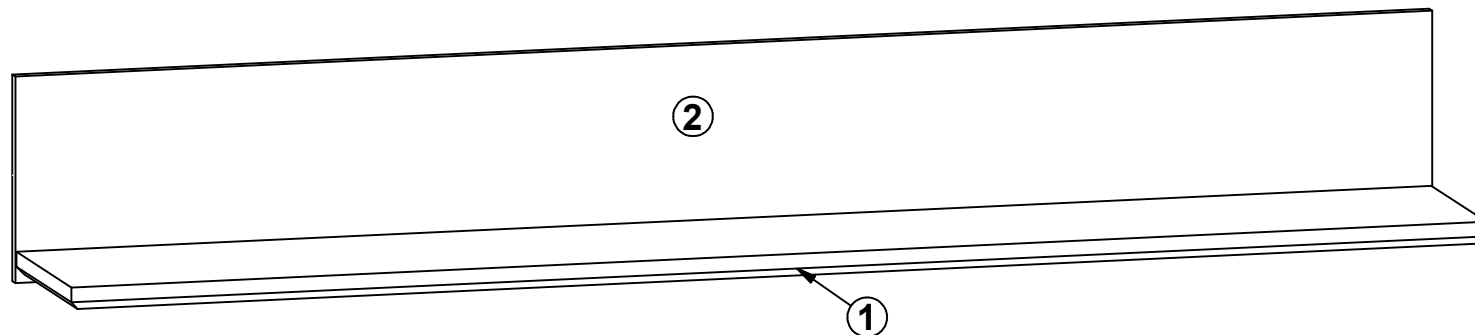
2 / 6

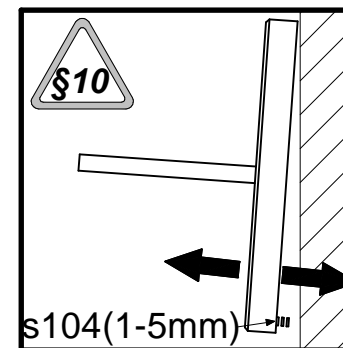
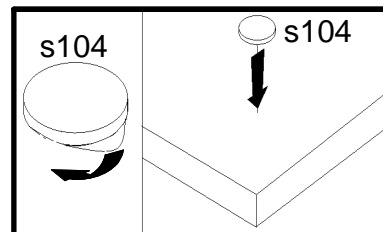
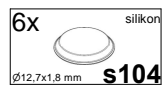
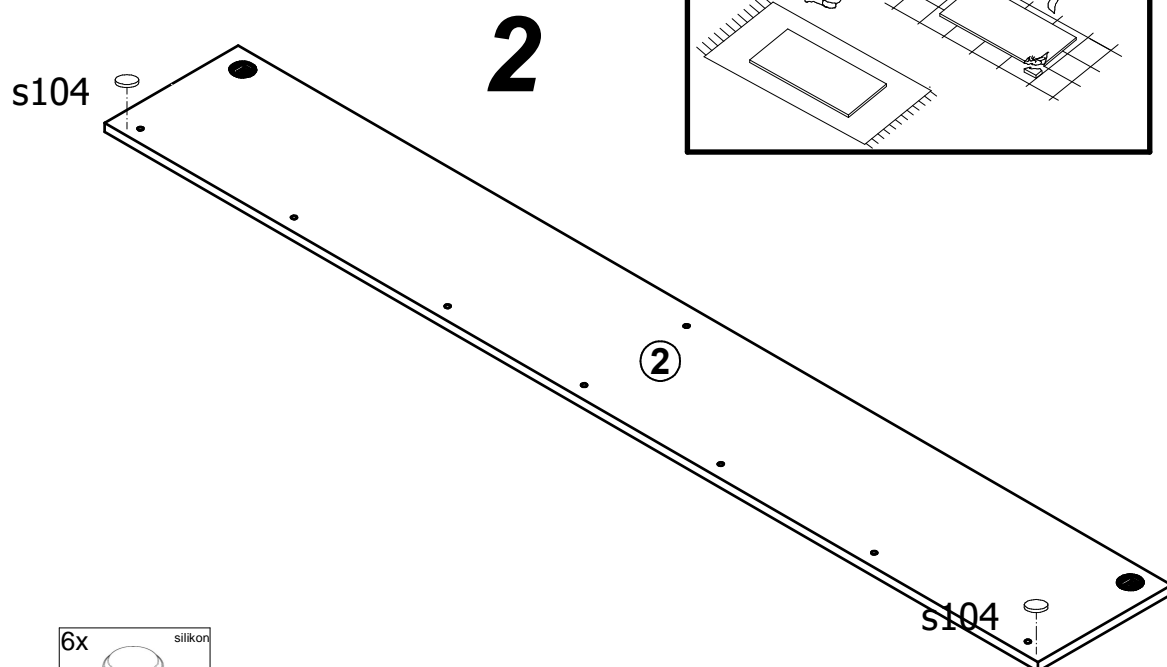
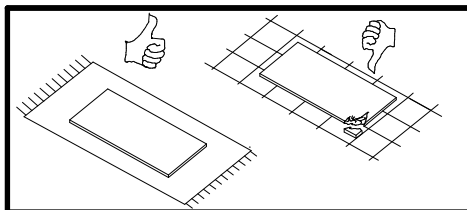
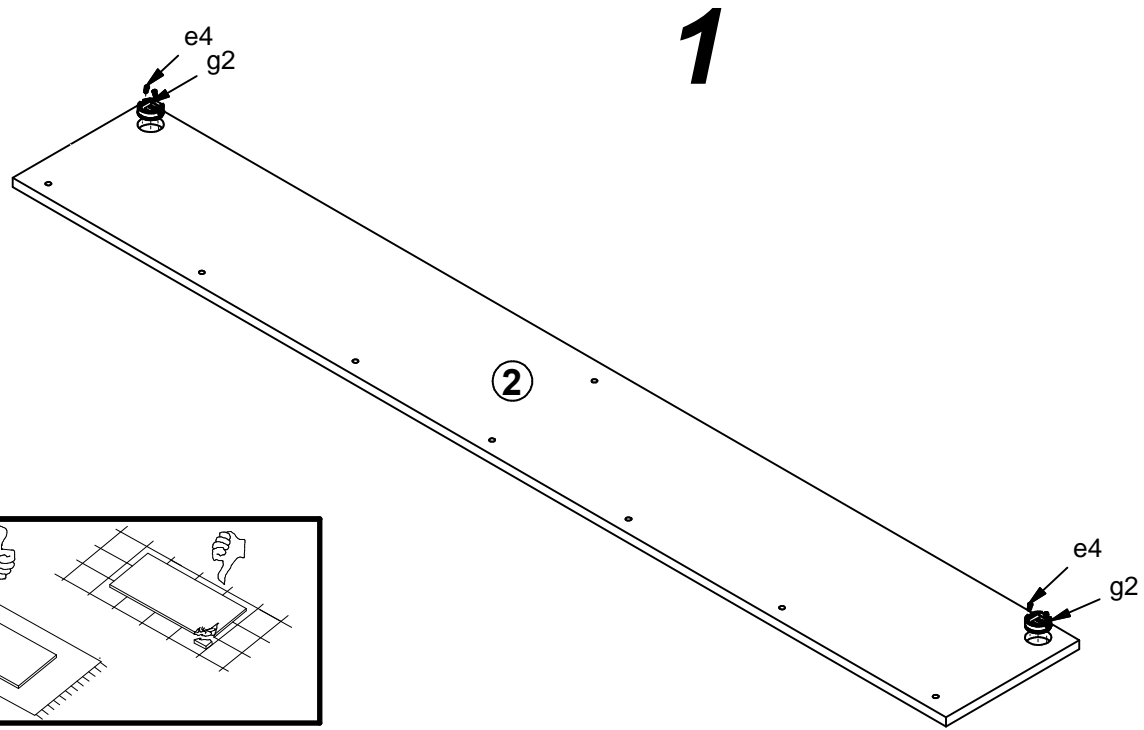
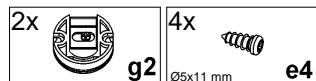
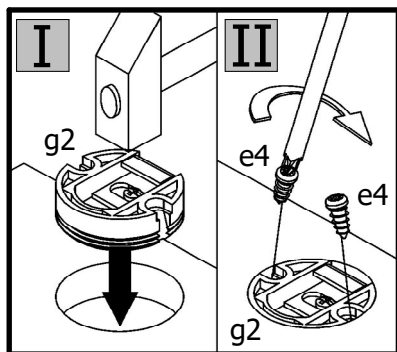


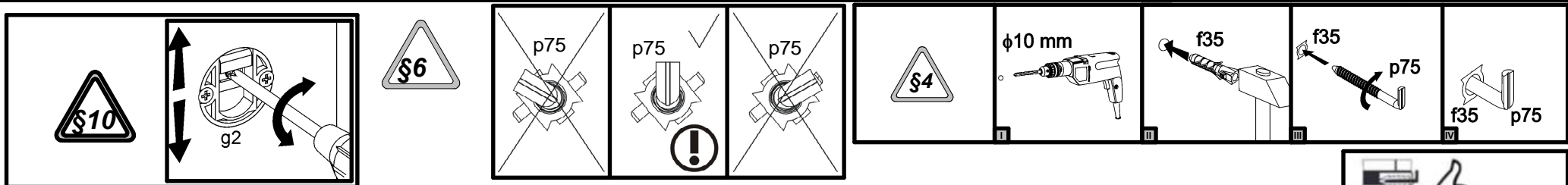
Ø10 mm
Ø 8 mm

**30min**

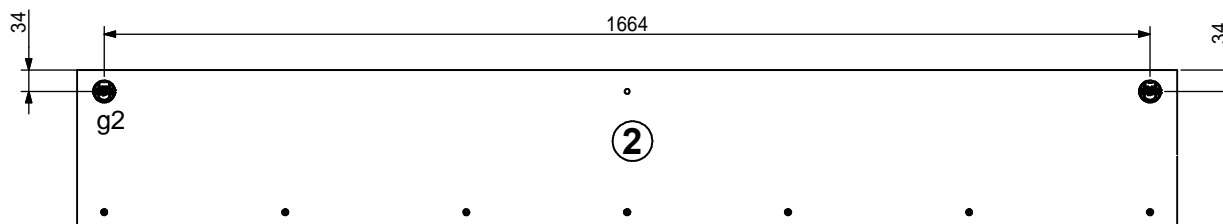
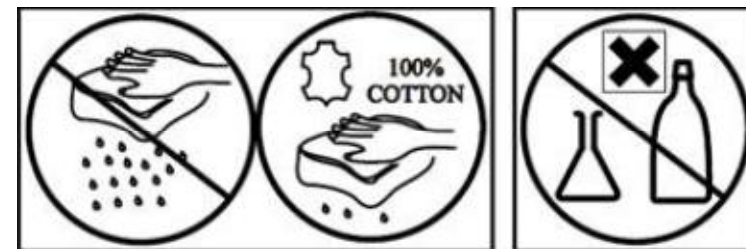
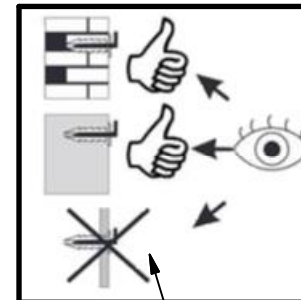
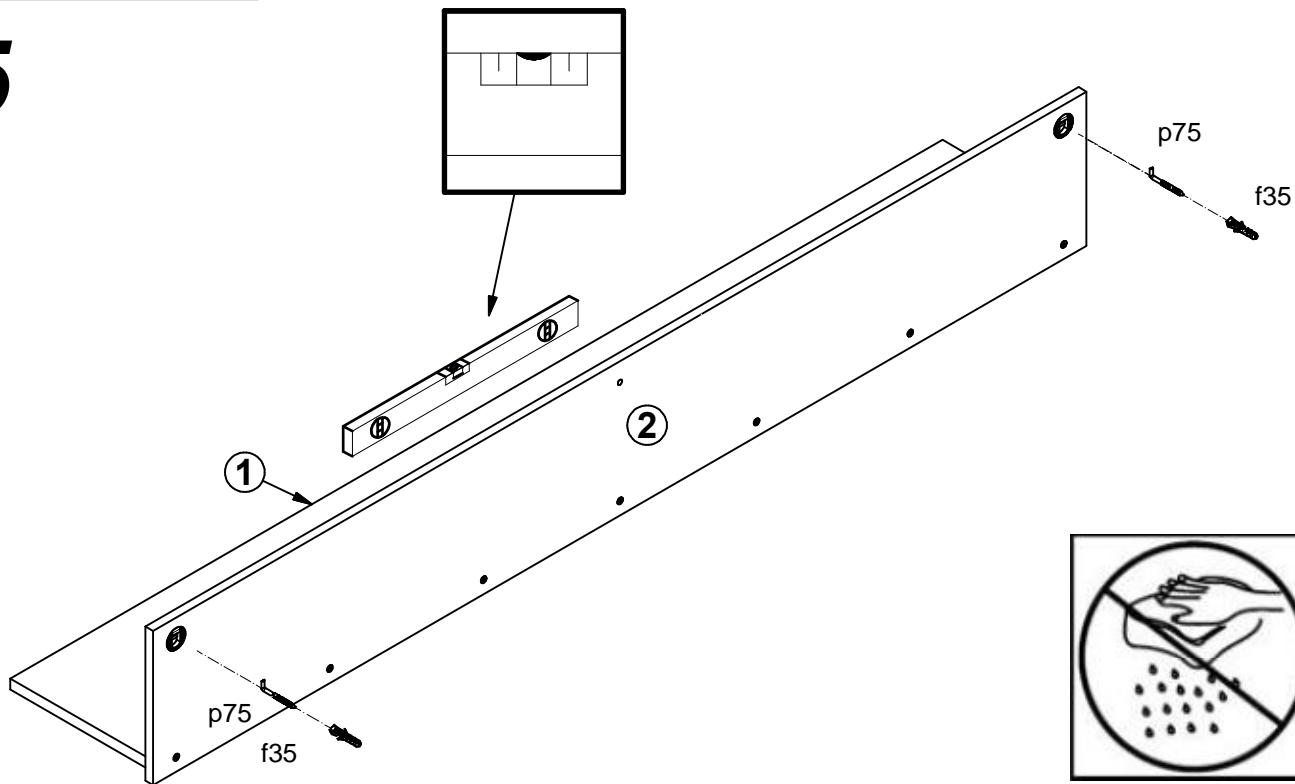
A	B	C1	C2	C3	D
1	S515-3301	1748	254	28	1/1
2	S515-4501	1750	250	15	1/1



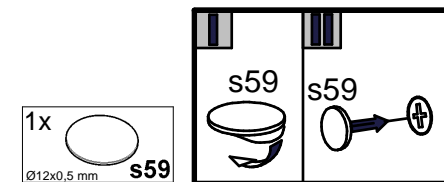
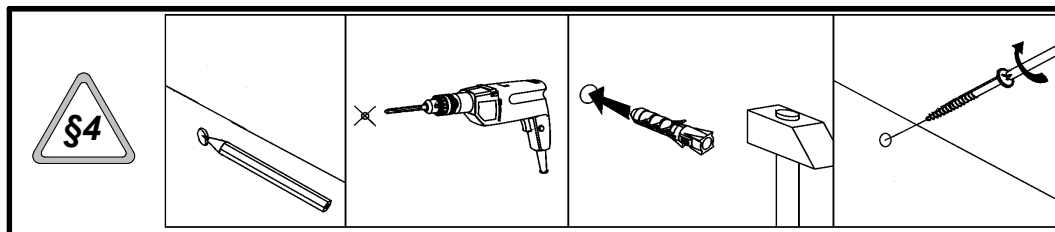
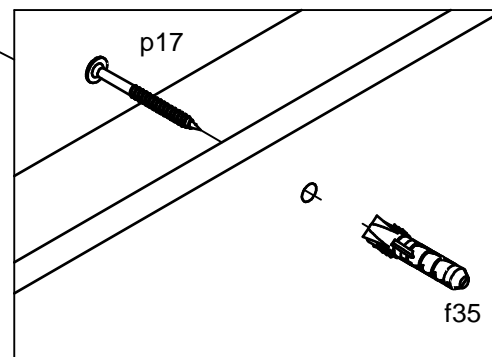
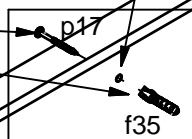
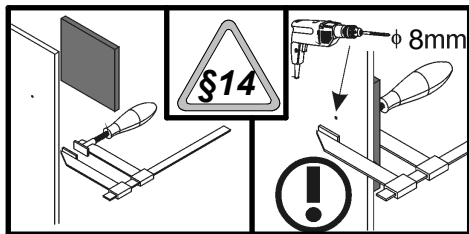


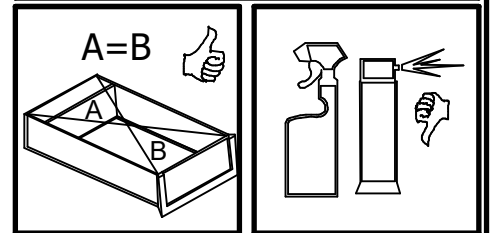
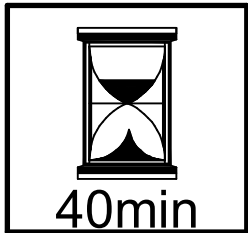
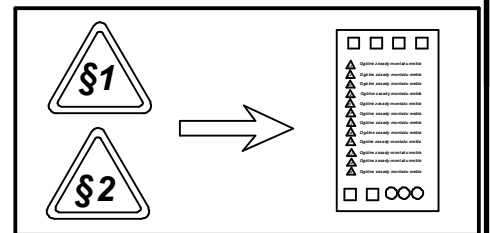
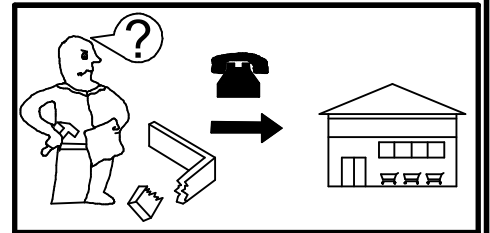
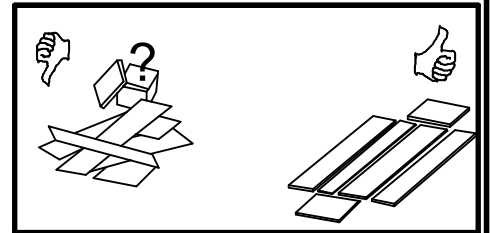
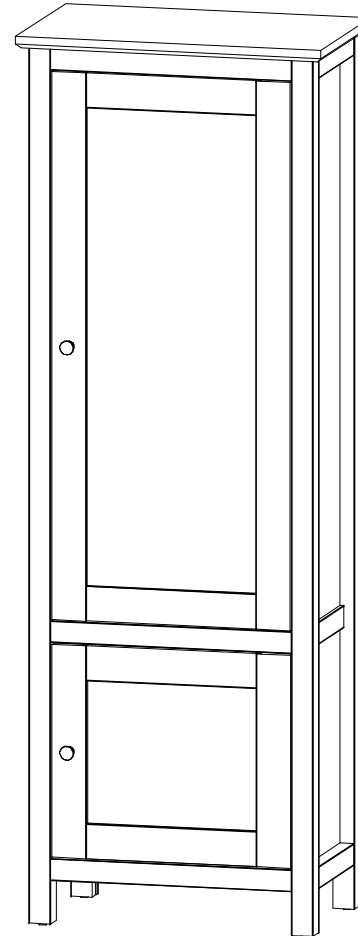
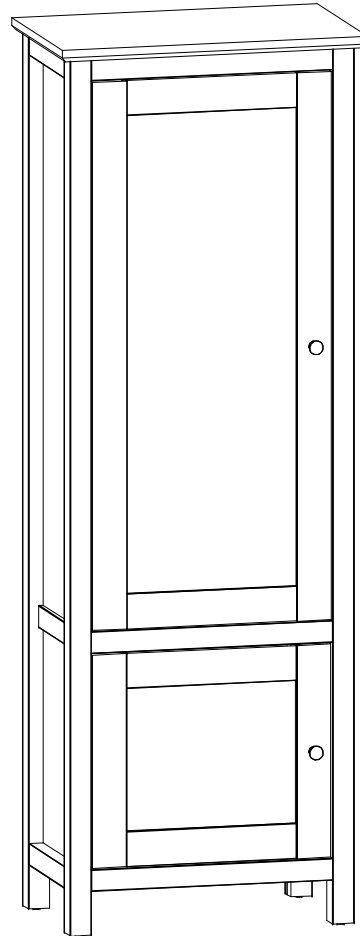
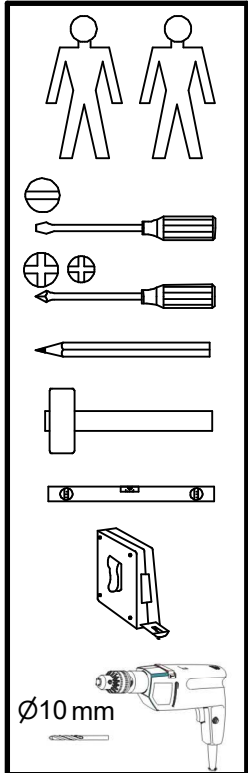
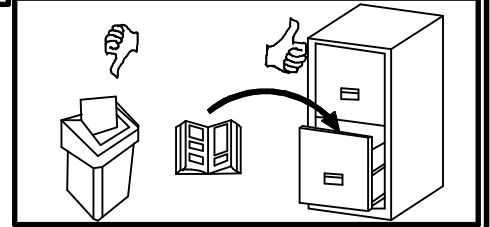
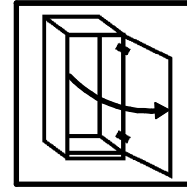
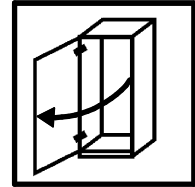
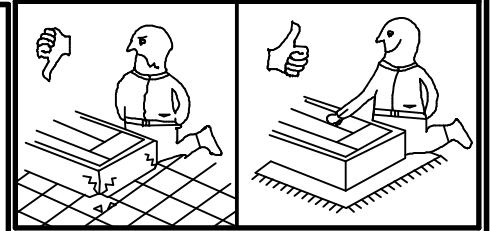
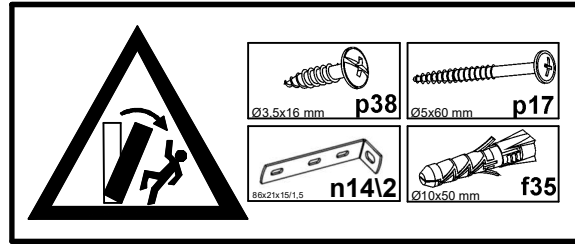
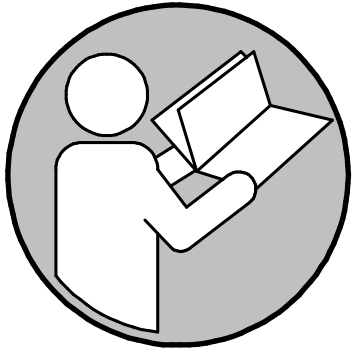


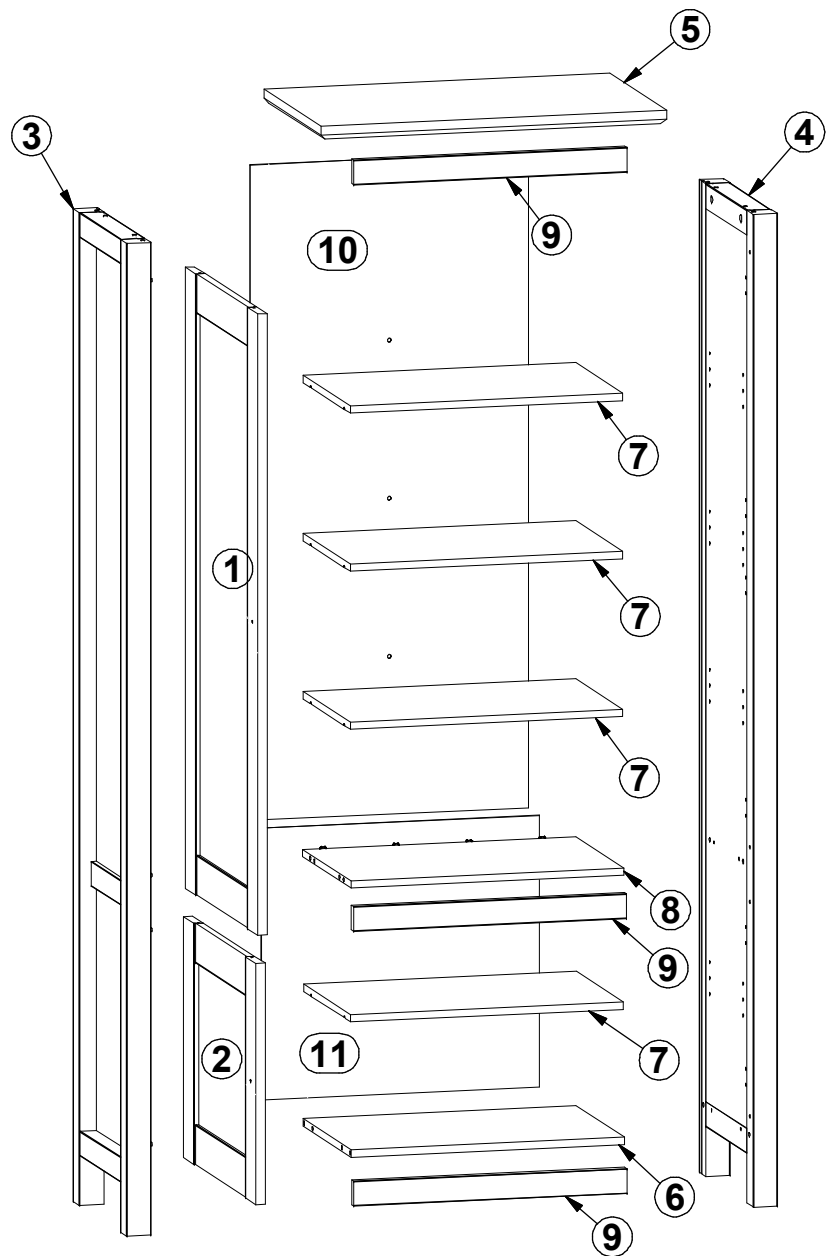
5



6

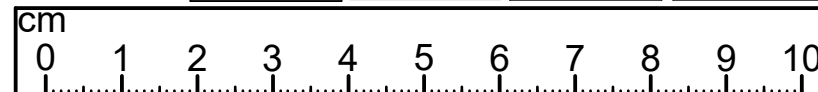




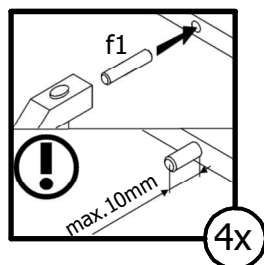
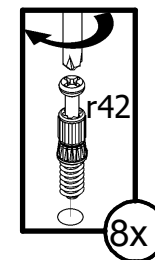
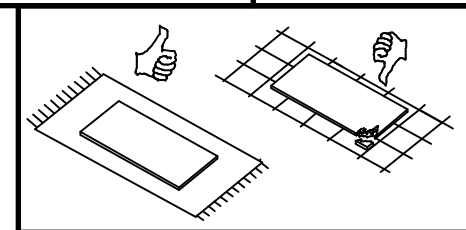
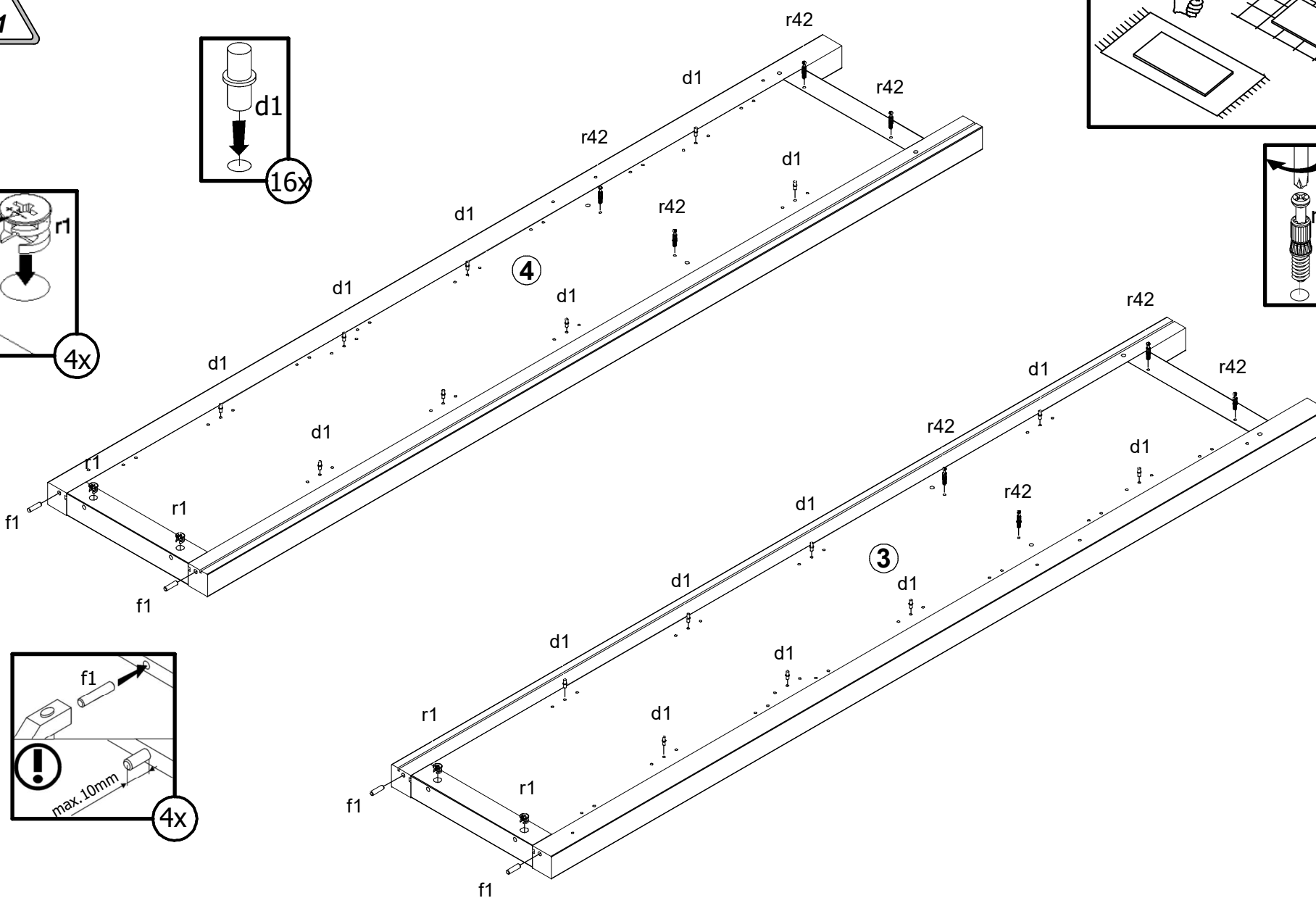
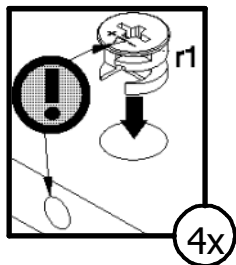
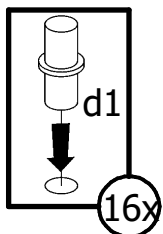


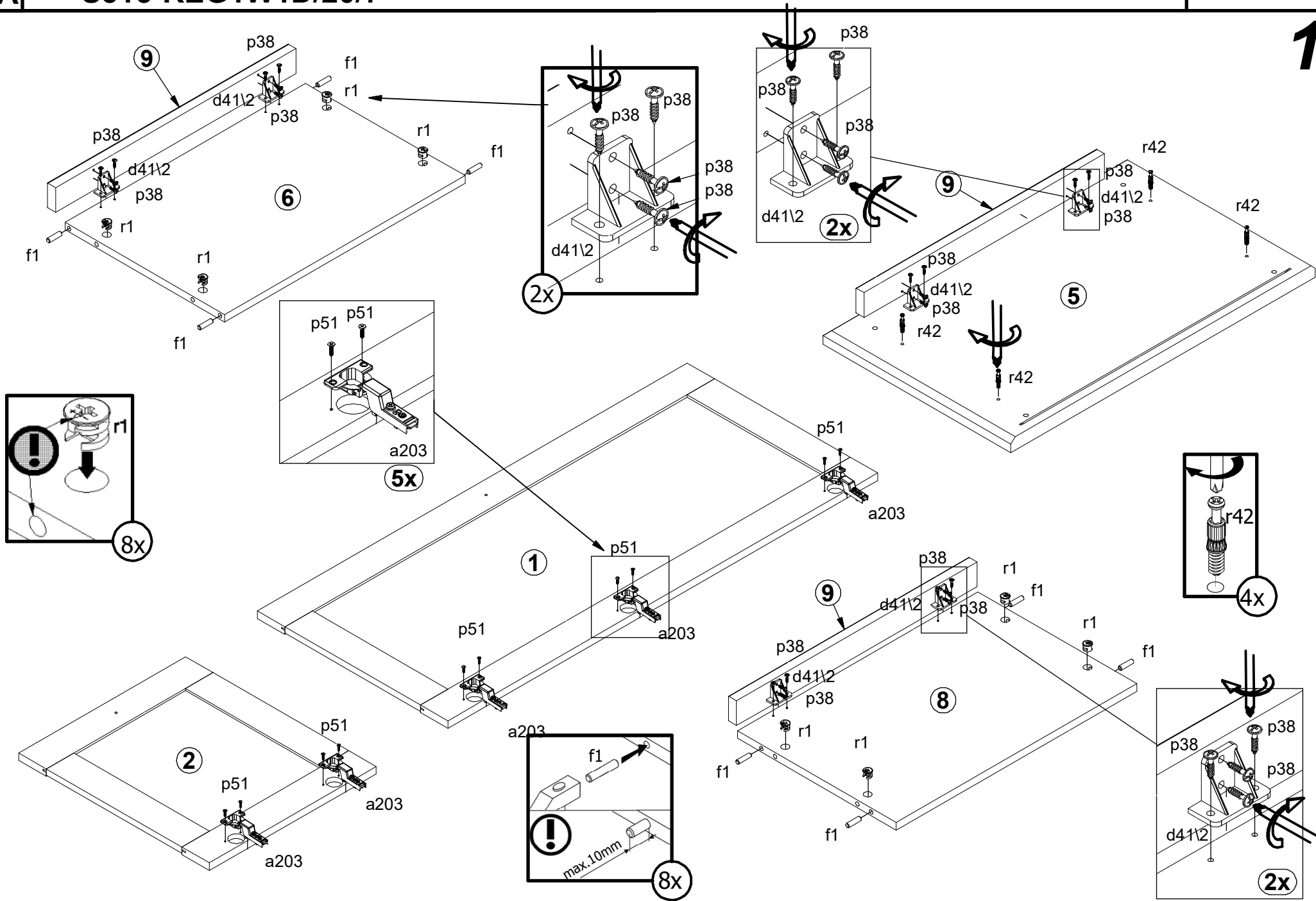
A	B	C1	C2	C3	D
1	S515-0003	1252	555	19	3/3
2	S515-0004	486	555	19	3/3
3	S515-1004	2000	413	50	2/3
4	S515-1005	2000	413	50	2/3
5	S515-2002	710	438	28	1/3
6	S515-3004	561	372	15	1/3
7	S515-3005	560	362	15	1/3
8	S515-3006	561	370	15	1/3
9	S515-5203	561	50	19	3/3
10	S515-9003	1321	571	2,5	3/3
11	S515-9016	548	571	2,5	3/3

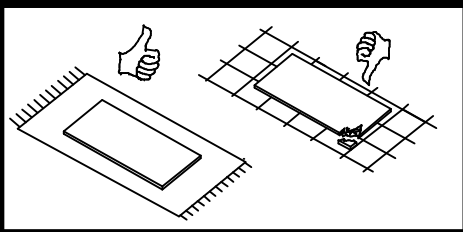
4x 20x13x3,5/1 n108	4x Ø2,9x16 mm p55
4x Ø6,3x15 mm d4	3x d-16 mm o114
1x 6W o60/3 4	1x a203
5x k16: g35 a203	5x b91
2x c475	12x Ø8x30 mm f1
16x Ø5x17 mm d1	6x d41/2
2x M4x25 mm j8	4x k1
5x l1	11x l2
24x Ø3,5x16 mm p38	10x Ø3,5x15 mm p51
12x Ø15x12 mm #16 r1	12x 20/11 r42
4x Ø16 s2	1x Ø10x50 mm f35
1x Ø5x60 mm p17	2x Ø3,5x16 mm p38
1x 88x21x15/1,5 n14/2	



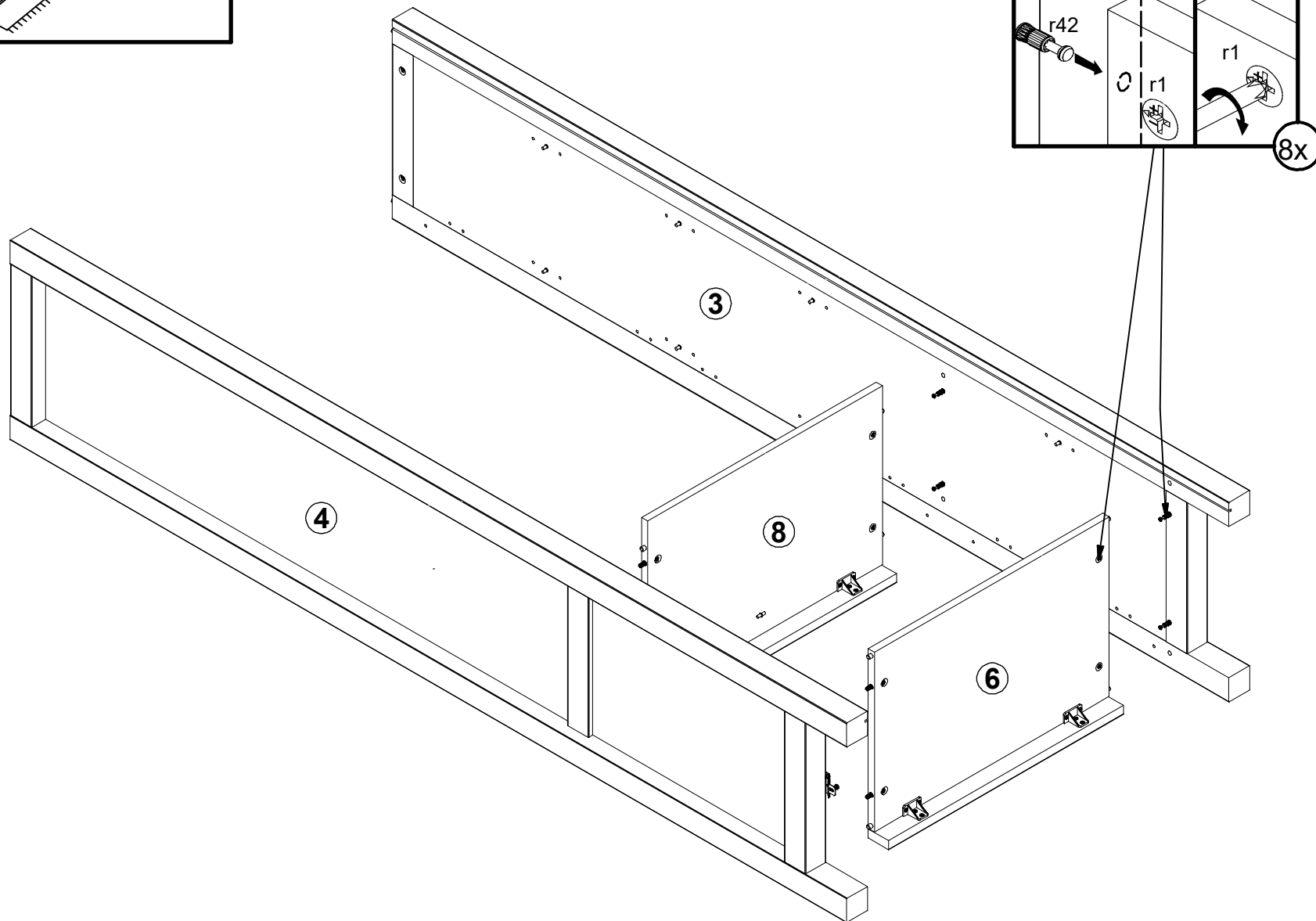
1 §1

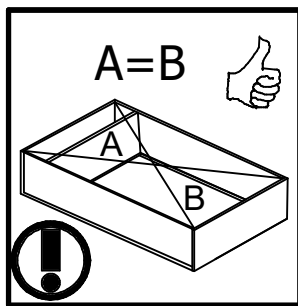






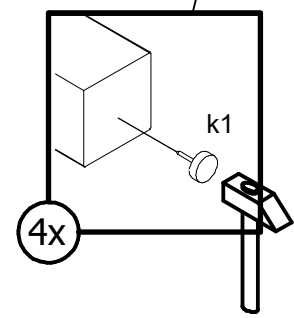
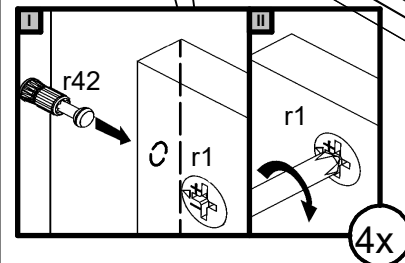
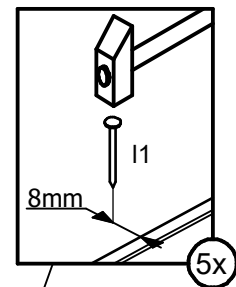
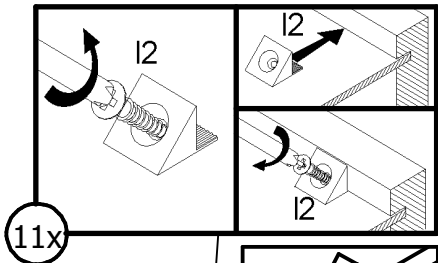
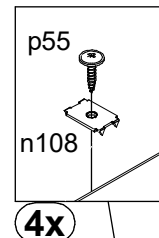
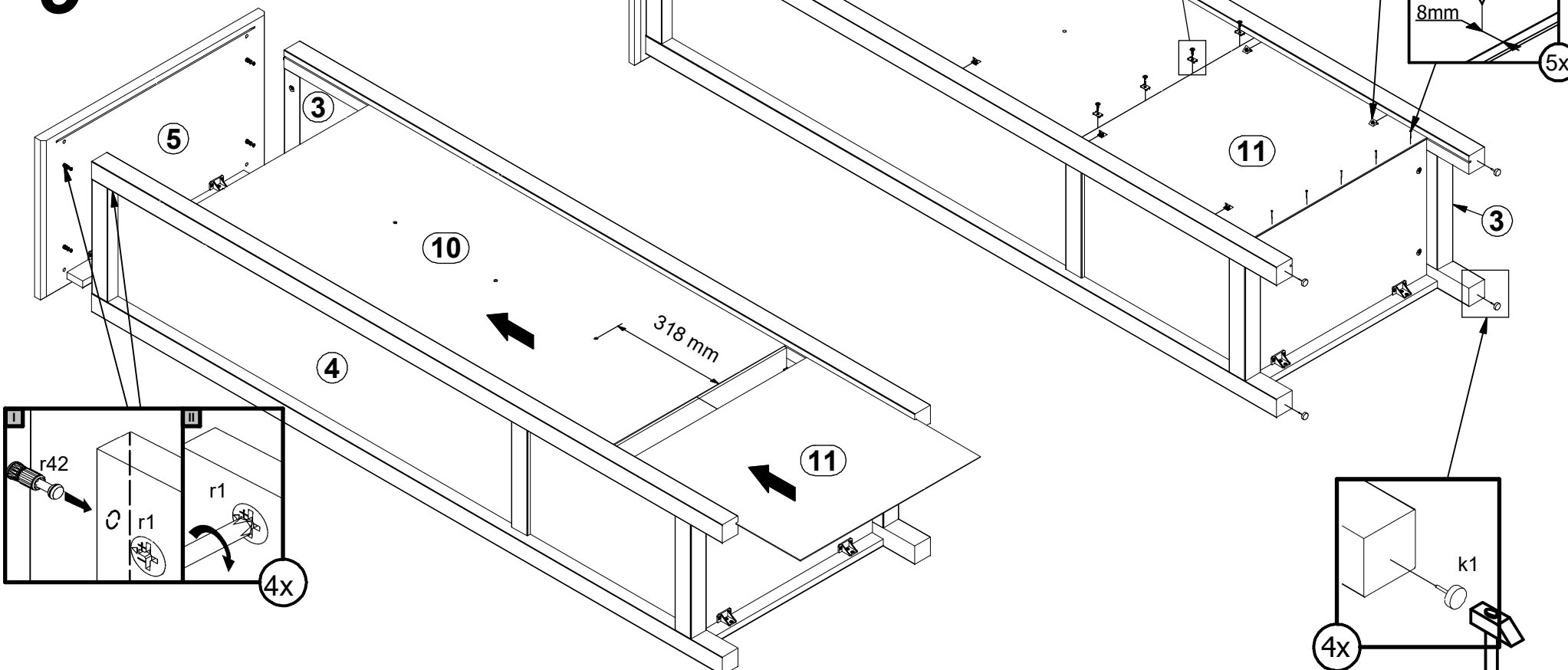
2



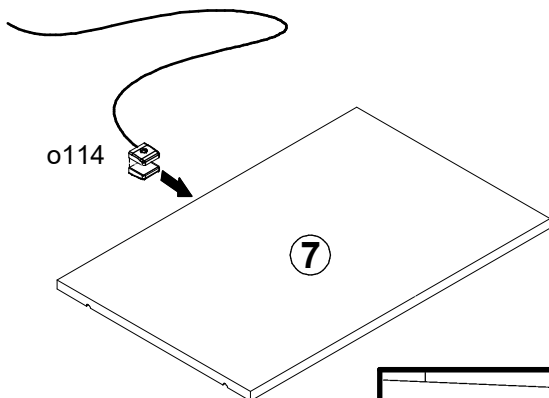
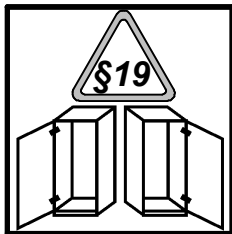


3

4



5



3

5

7

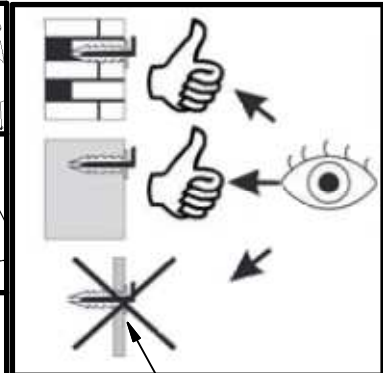
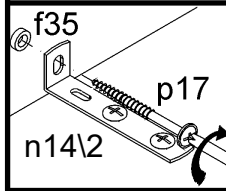
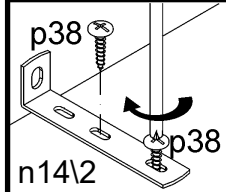
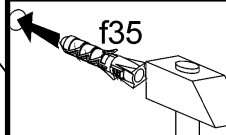
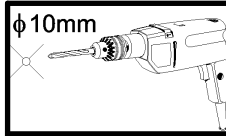
7

7

7

7

4

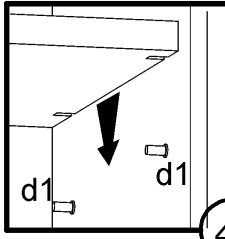
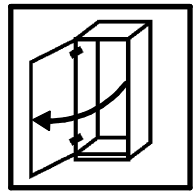


1x
Ø10x50 mm
f35

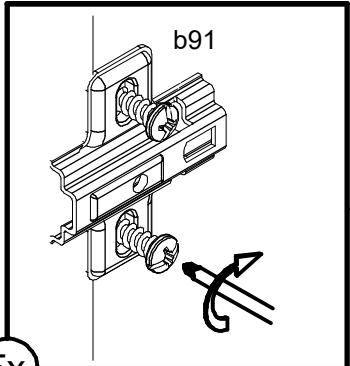
1x
88x21x15/1.5
n14/2

1x
Ø25x60 mm
p17

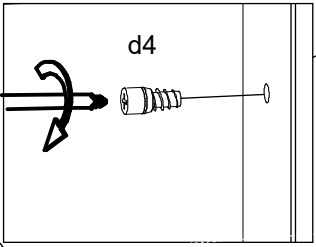
2x
Ø3.5x16 mm
p38



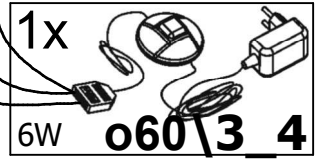
4x



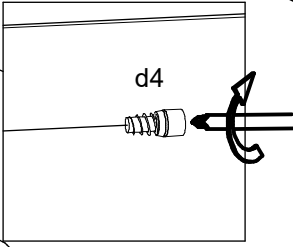
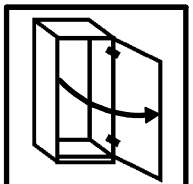
5x



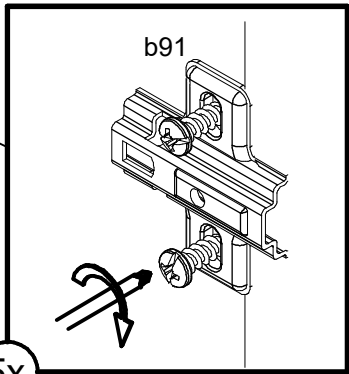
4x

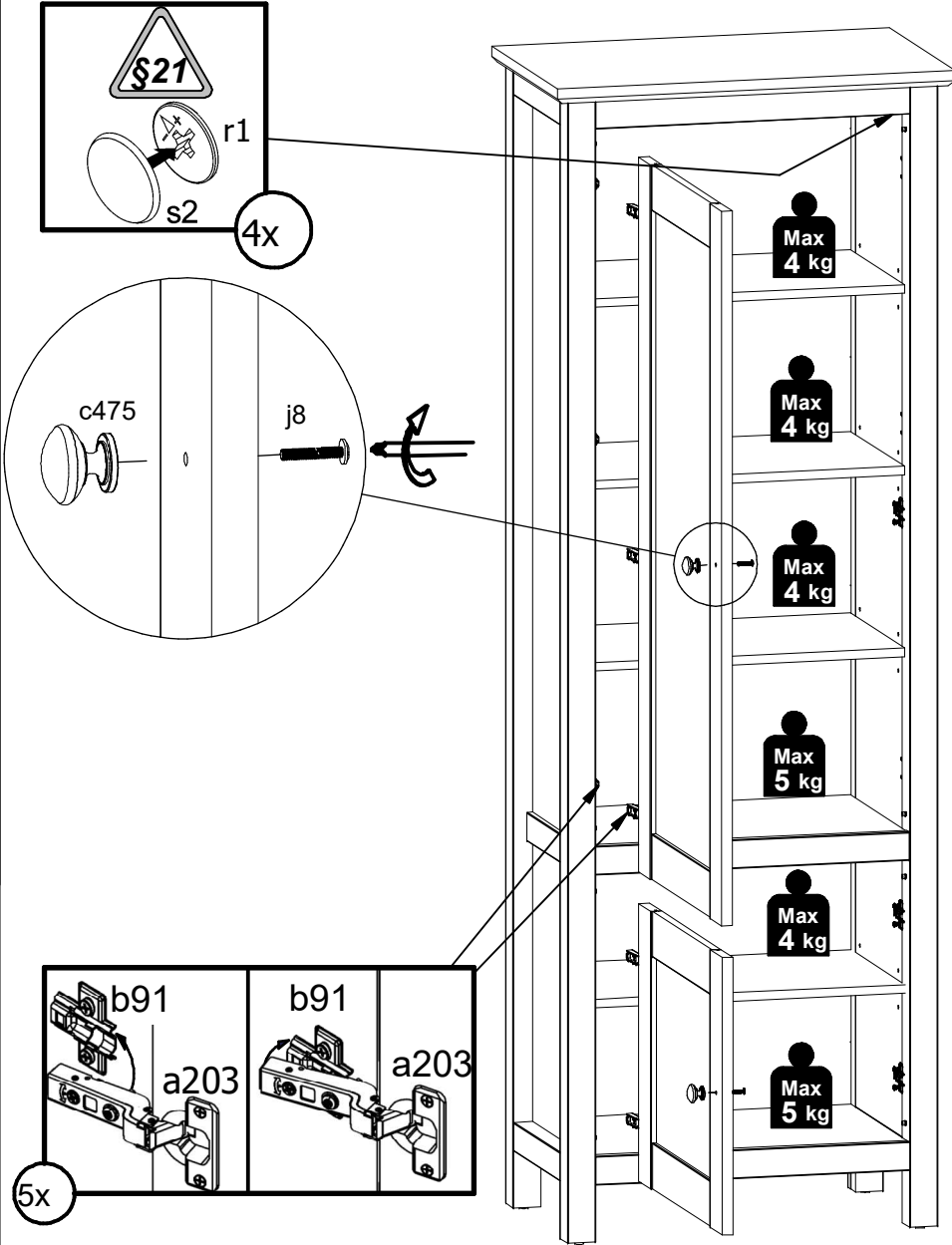


4x

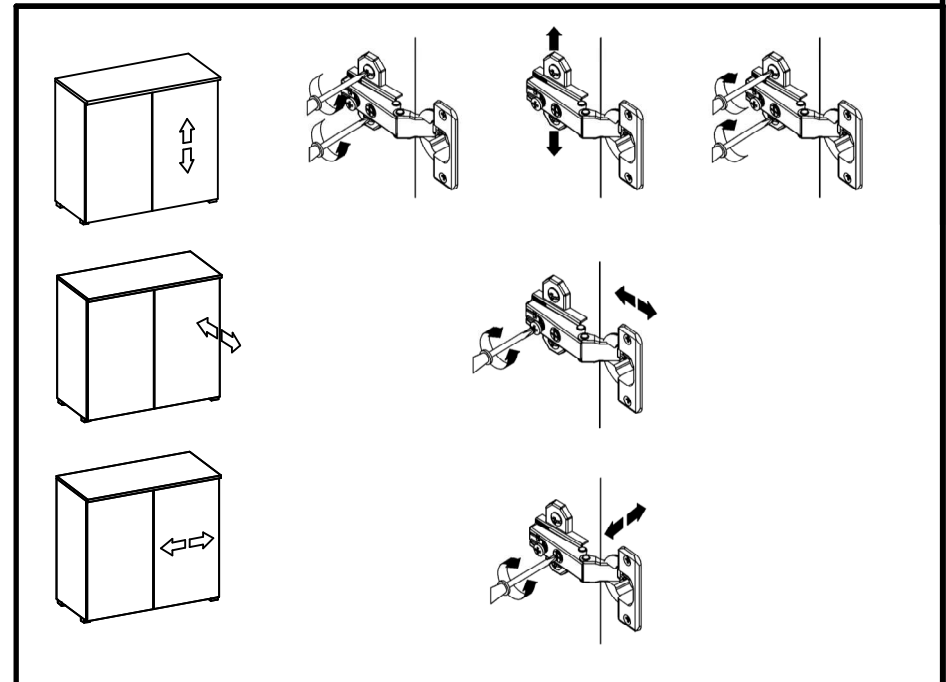


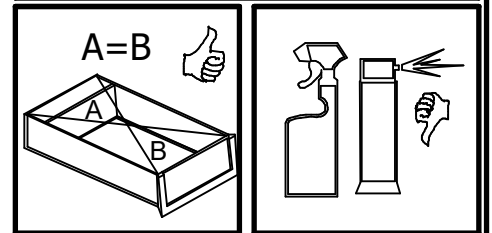
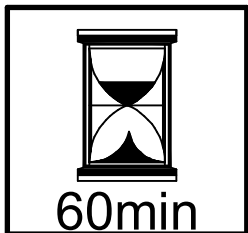
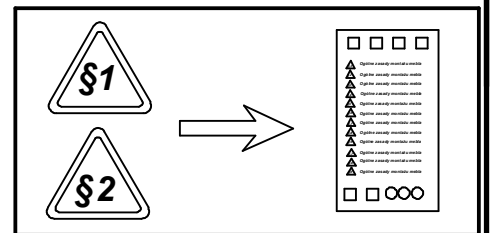
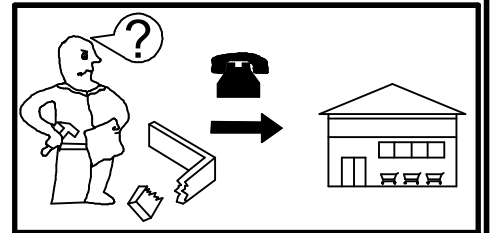
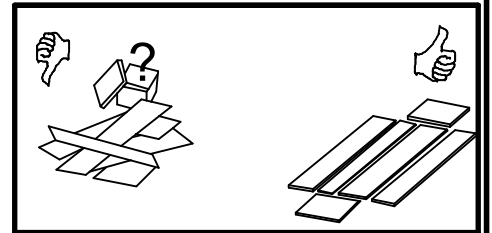
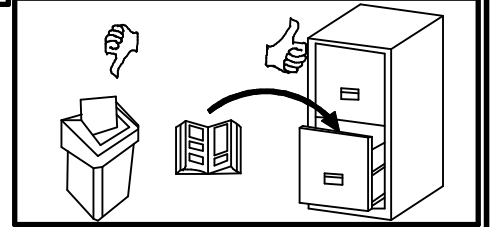
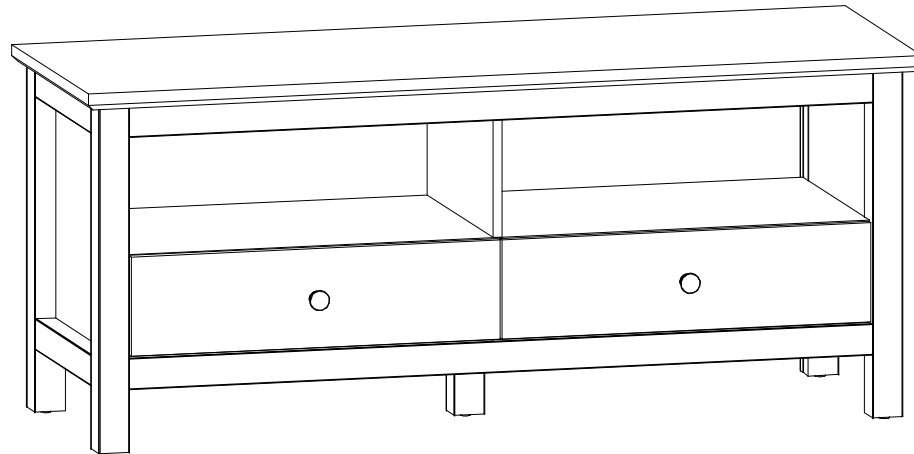
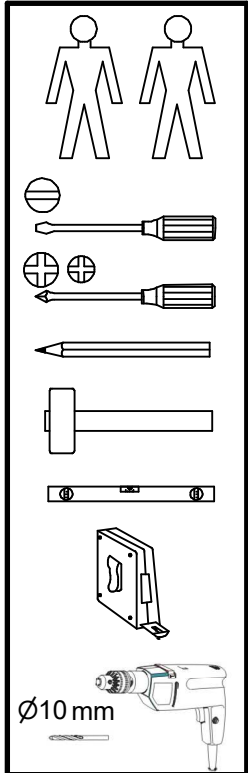
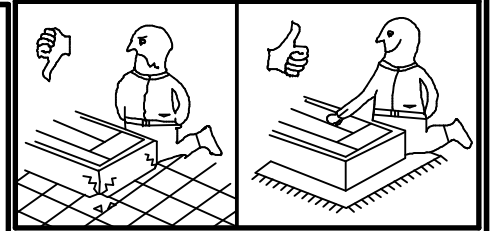
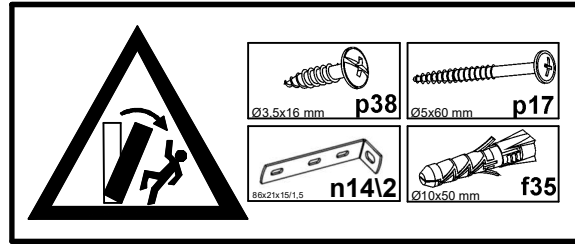
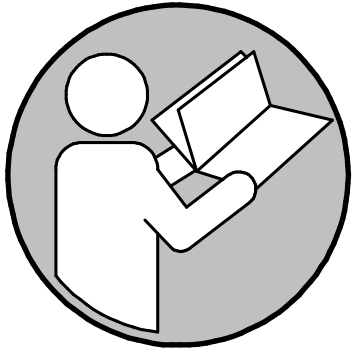
5x



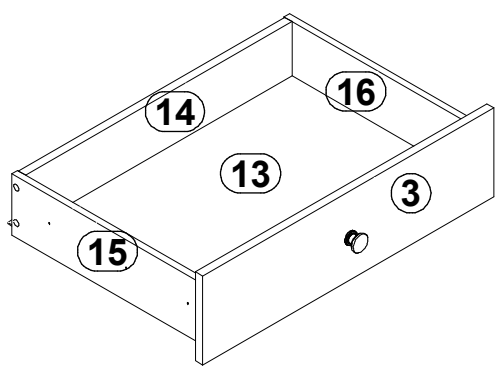
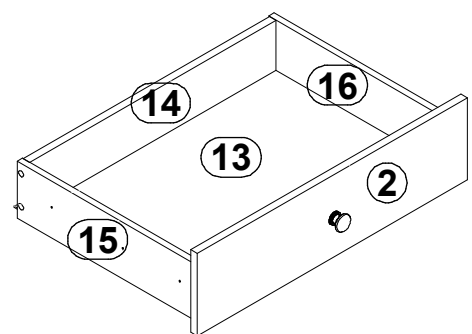
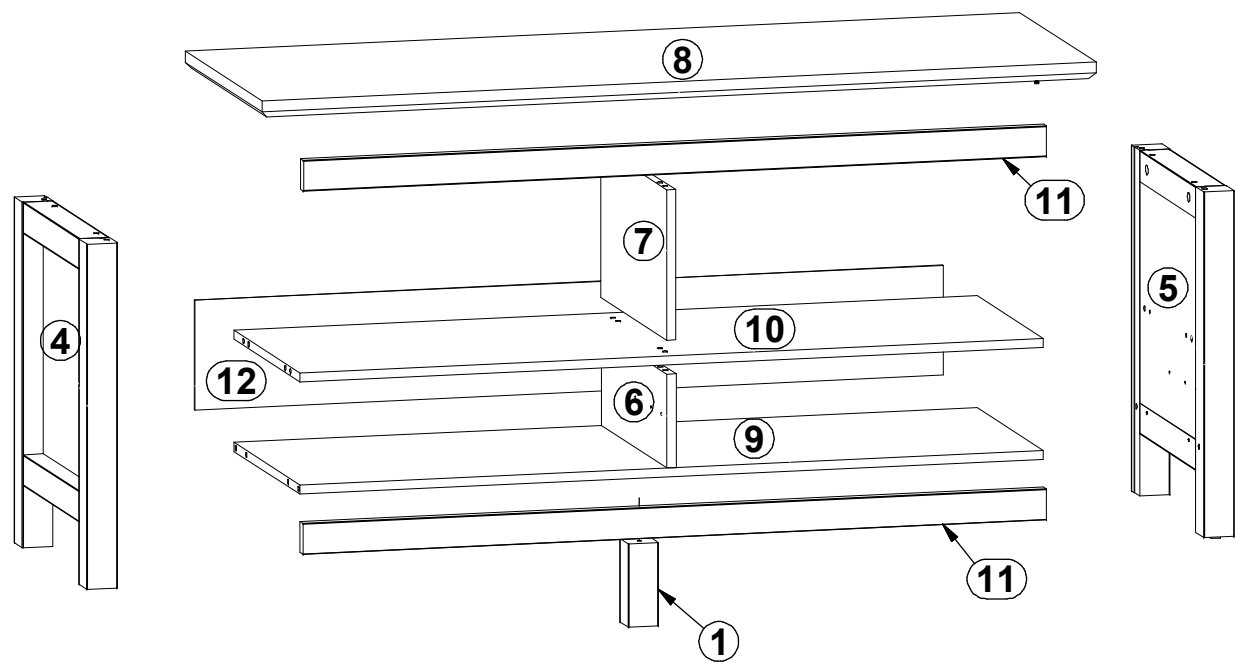


6





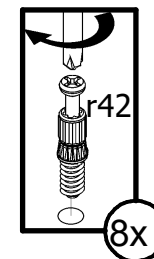
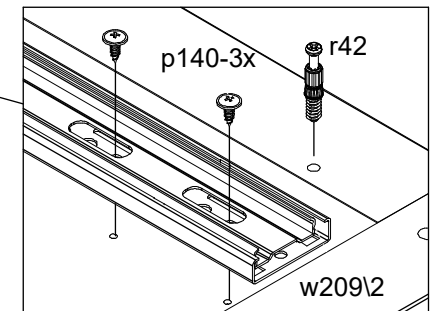
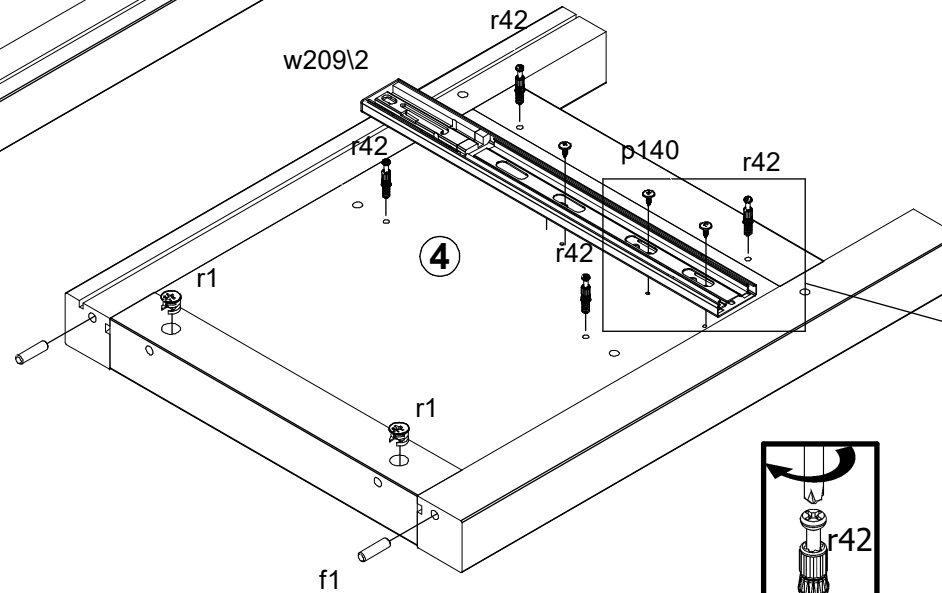
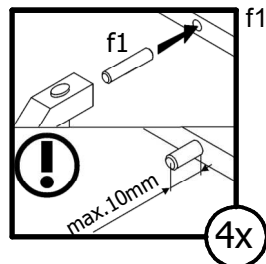
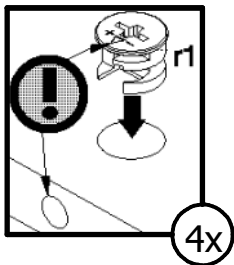
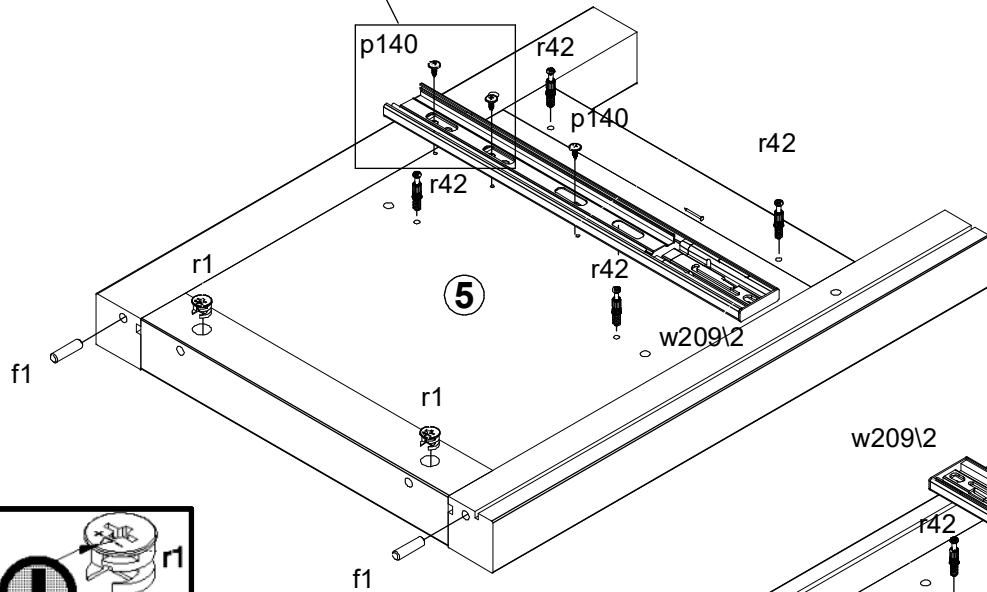
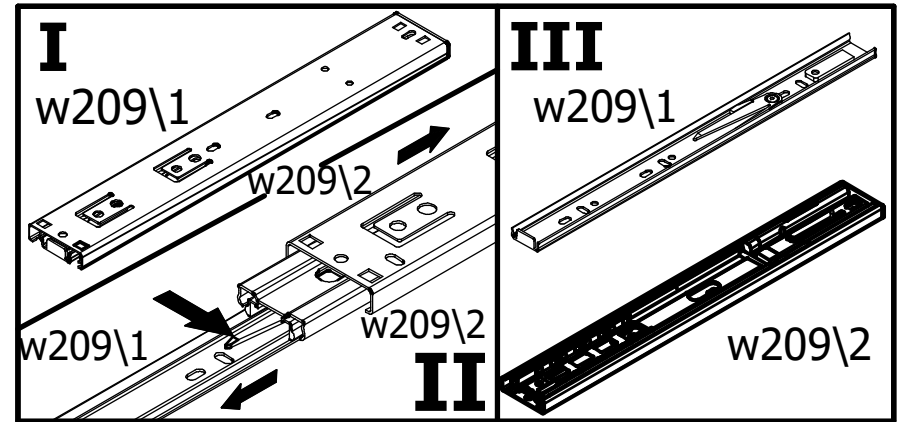
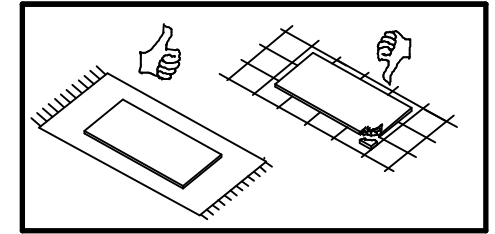
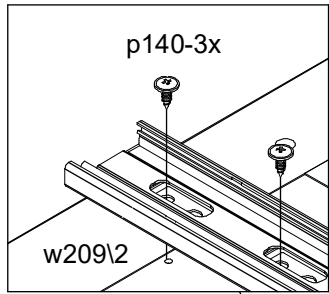
A	B1	B2	C1	C2	C3	D
1	S503-5005	-	134	50	50	1/2
2	S515-0011	-	606	160	15	2/2
3	S515-0012	-	606	160	15	2/2
4	S515-1018	A	557	445	50	1/2
5	S515-1019	A	557	445	50	1/2
6	S515-1020	A	151	404	15	1/2
7	S515-1021	A	242	404	15	1/2
8	S515-2007	A	1370	470	28	1/2
9	S515-3014	A	1221	404	15	2/2
10	S515-3015	-	1221	405	15	2/2
11	S515-5206	-	1221	50	19	1/2
12	S515-9006	-	1230	177	2,5	2/2
13	WSP-9524	-	563	408	2,5	1/2
14	ZK3-5080	-	553	97	15	2/2
15	ZK4-525	-	400	110	12	1/2
16	ZK4-526	-	400	110	12	1/2



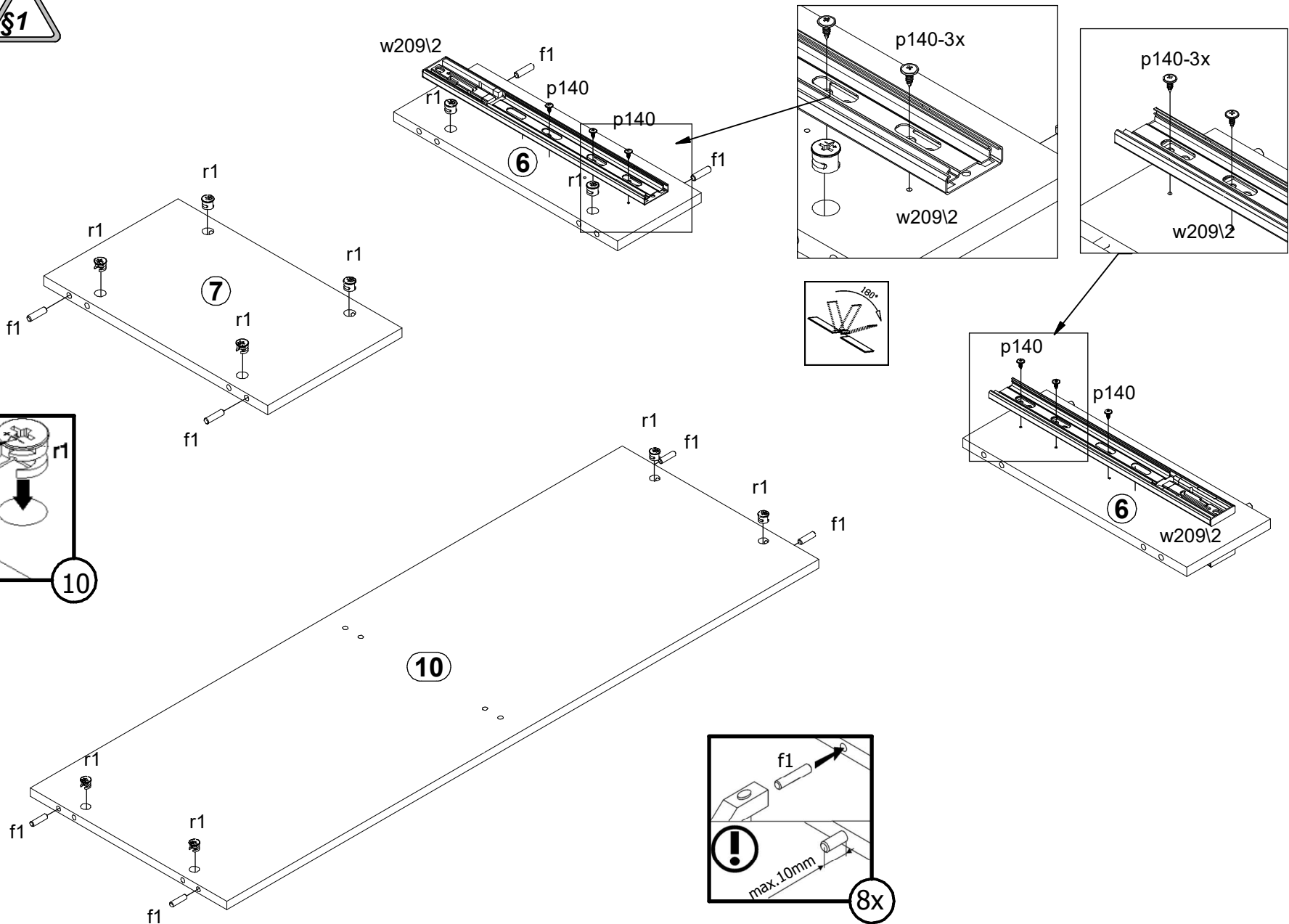
2x c475	2x M4x22 mm j30	5x k1	24x l1
6x d41/2	2x l2	36x Ø3.5x16 mm p38	4x Ø6x30 mm f9
3x Ø7x50 mm e1	18x Ø15x12 mm #16 r1	22x 20/11 r42	6x Ø16 s2
8x Ø6.5x40 mm f25	8x Ø12x10.5 mm #12 r15	16x Ø8x30 mm f1	24x Ø3.5x12 mm p140
2x Ø3.5x16 mm p25	2x Ø3.5x10 mm p35	2x 400 mm t33	2x r10
1x z1	2x Ø8x50 mm f6	4x L=400 mm w209/1	4x L=400 mm w209/2
1x Ø10x50 mm f35	1x Ø5x60 mm p17	2x Ø3.5x16 mm p38	1x 88x21x15/1.5 n14/2



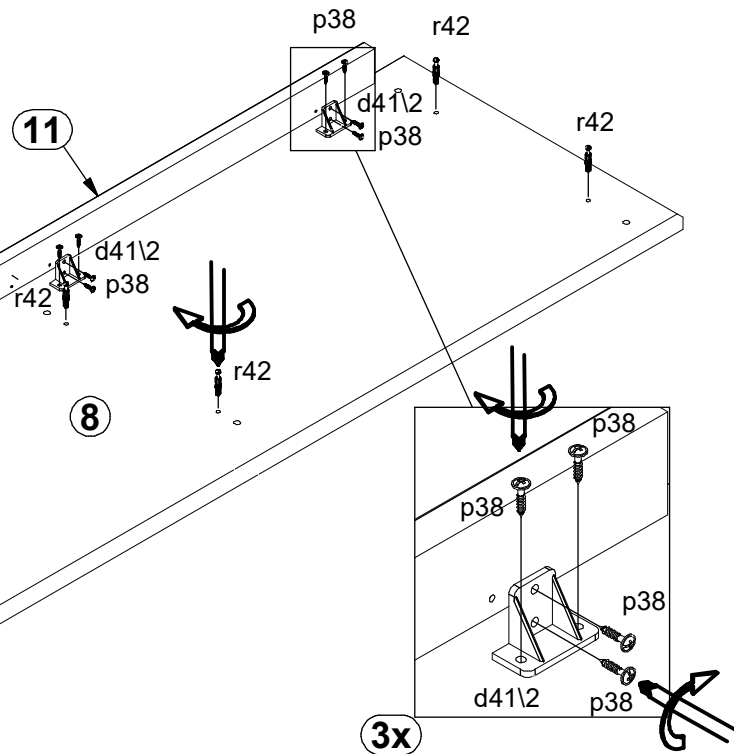
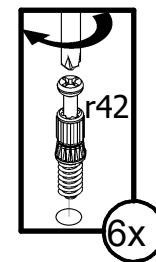
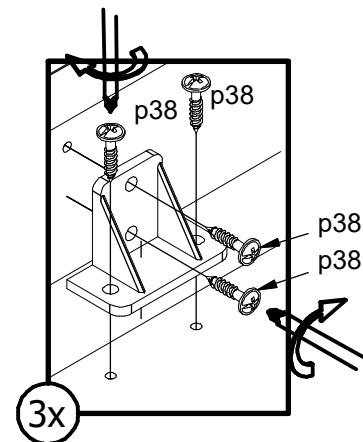
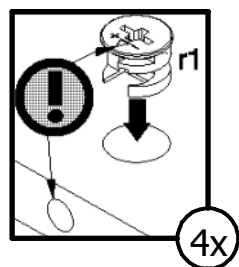
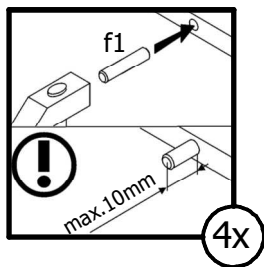
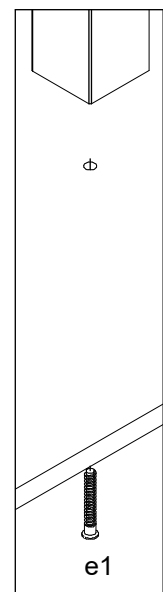
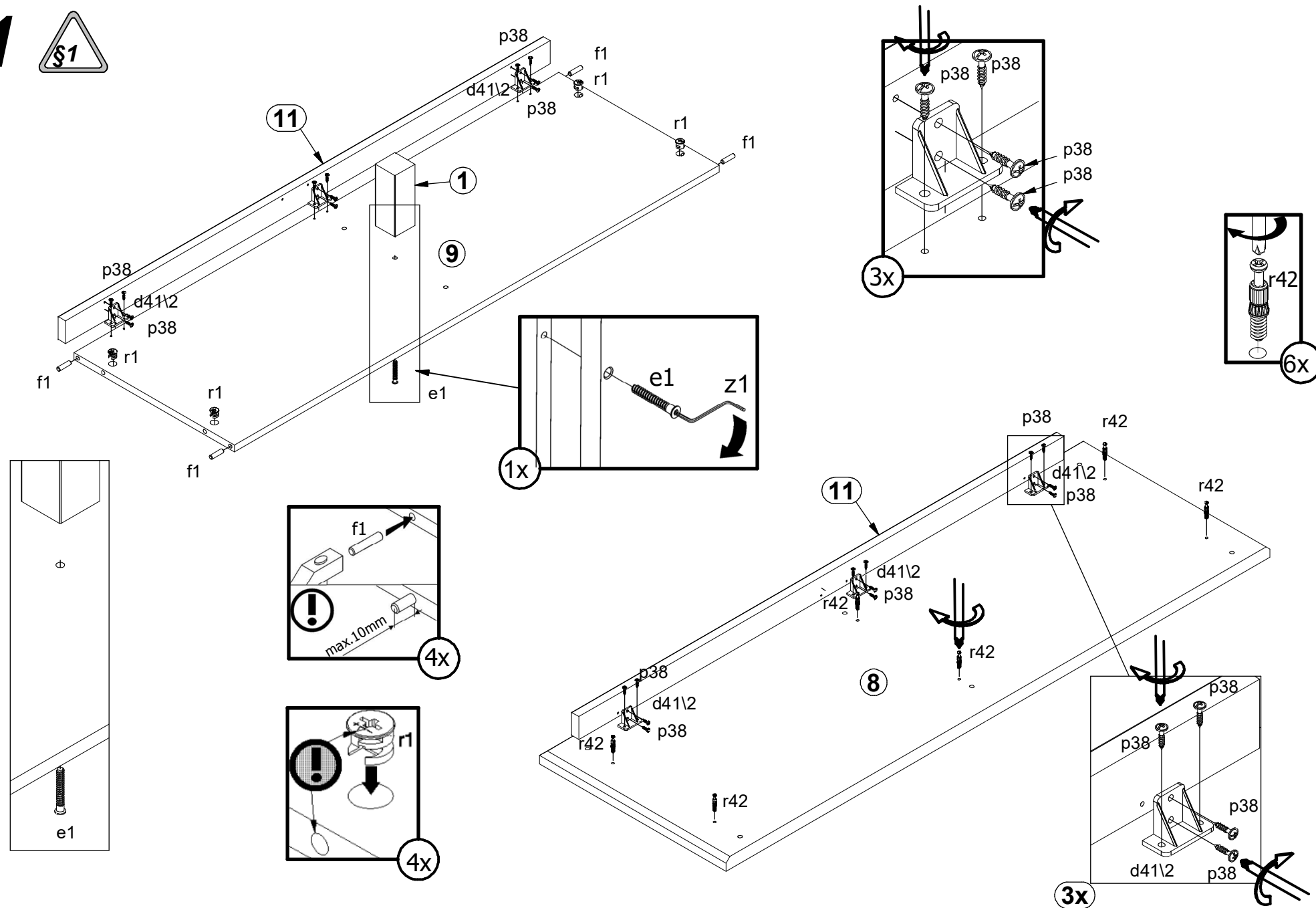
1 §1

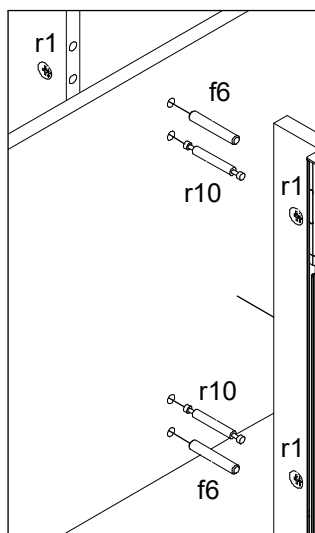
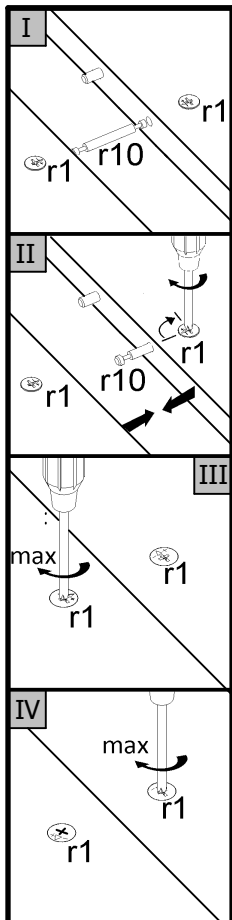


1 

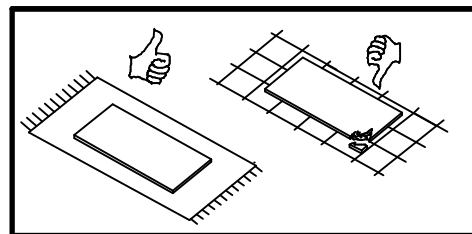
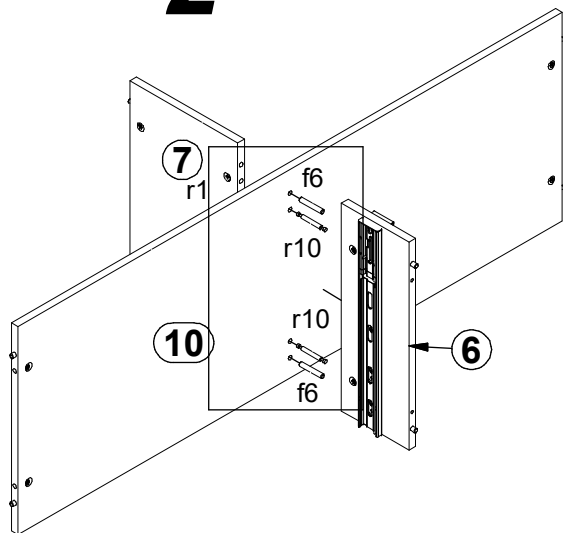


1

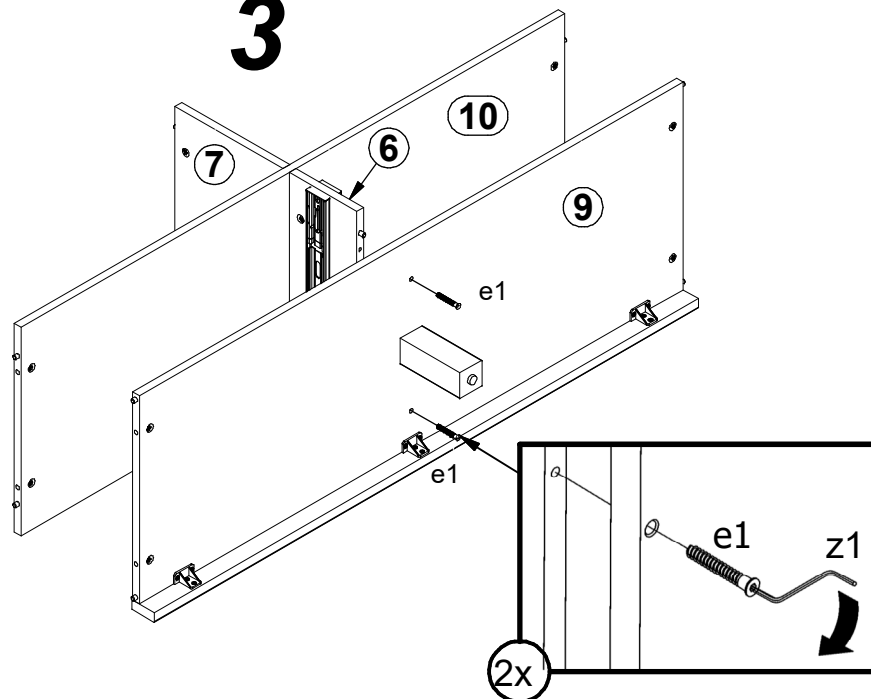




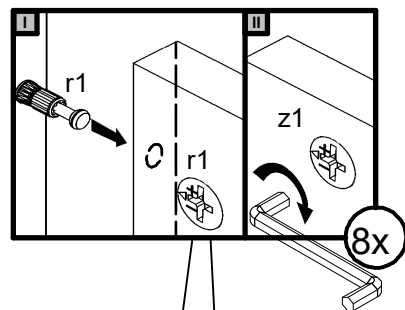
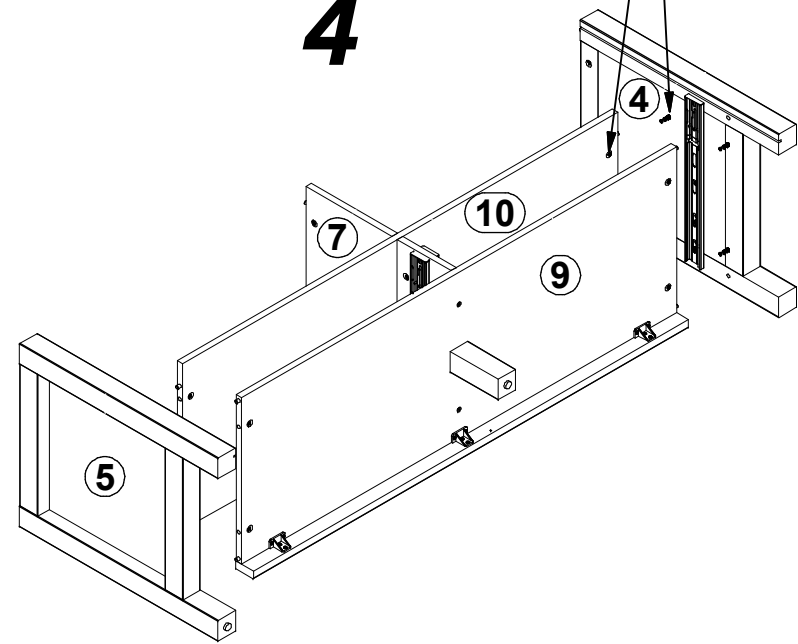
2



3

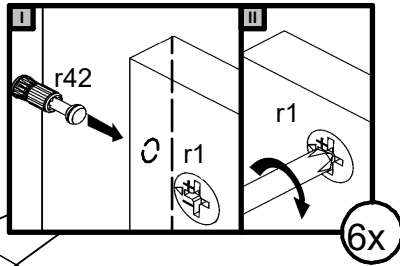
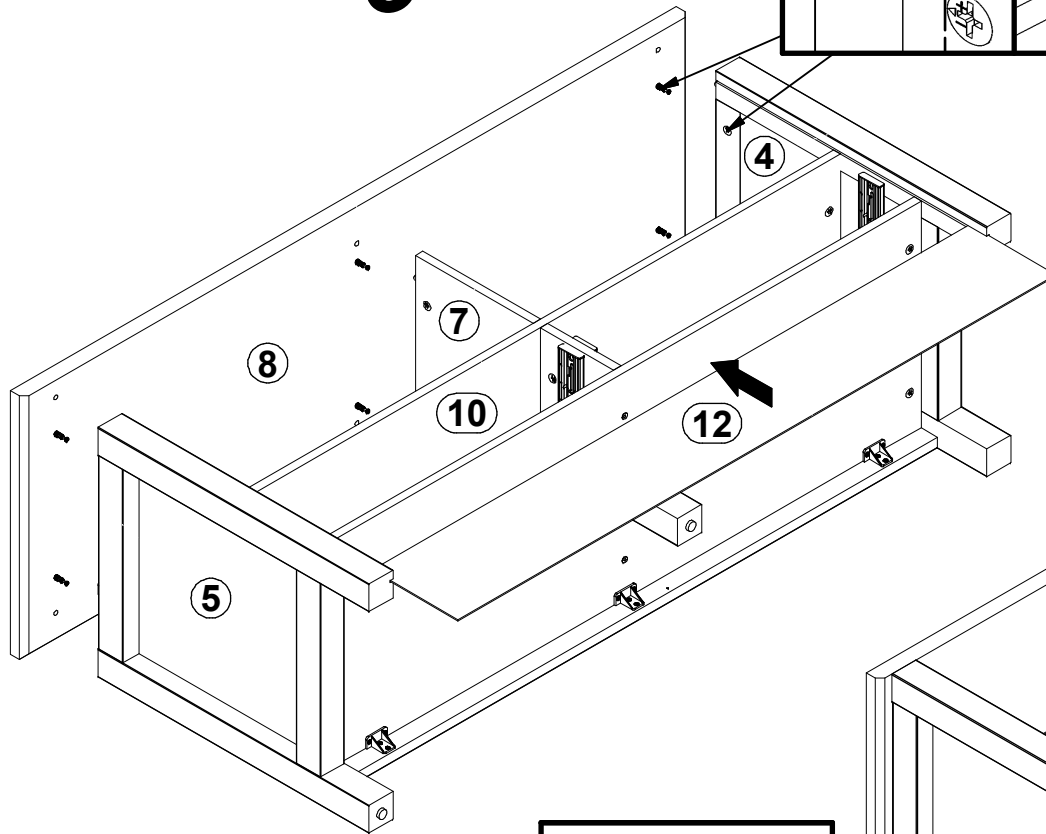


4

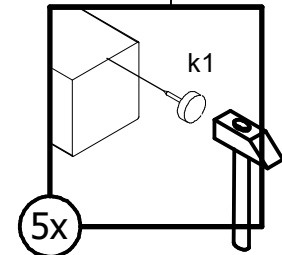
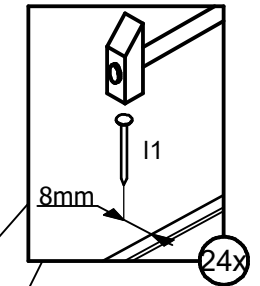
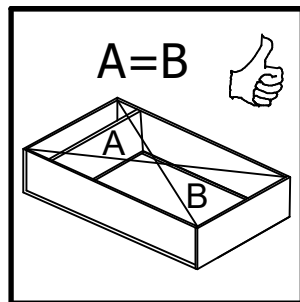
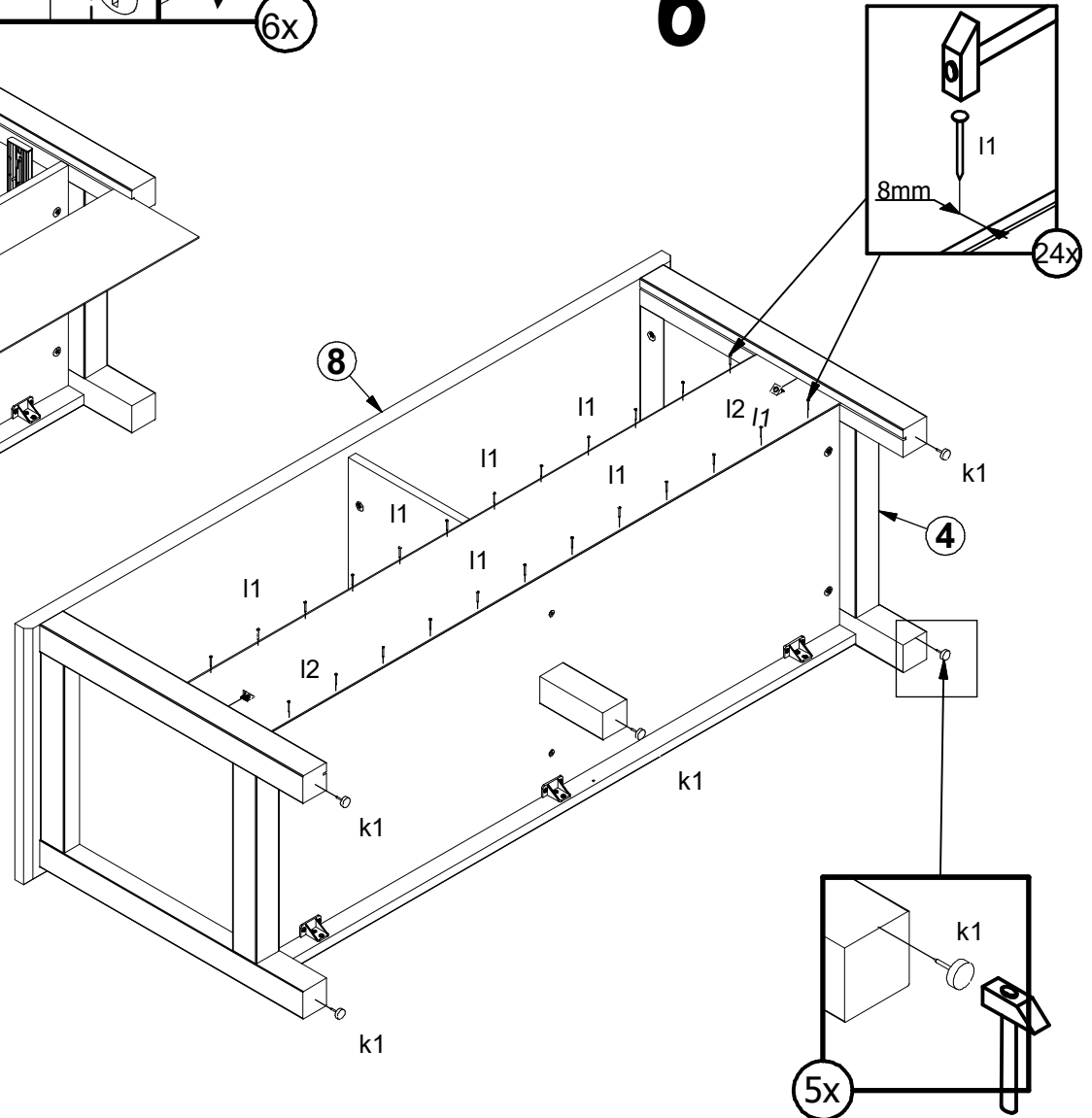


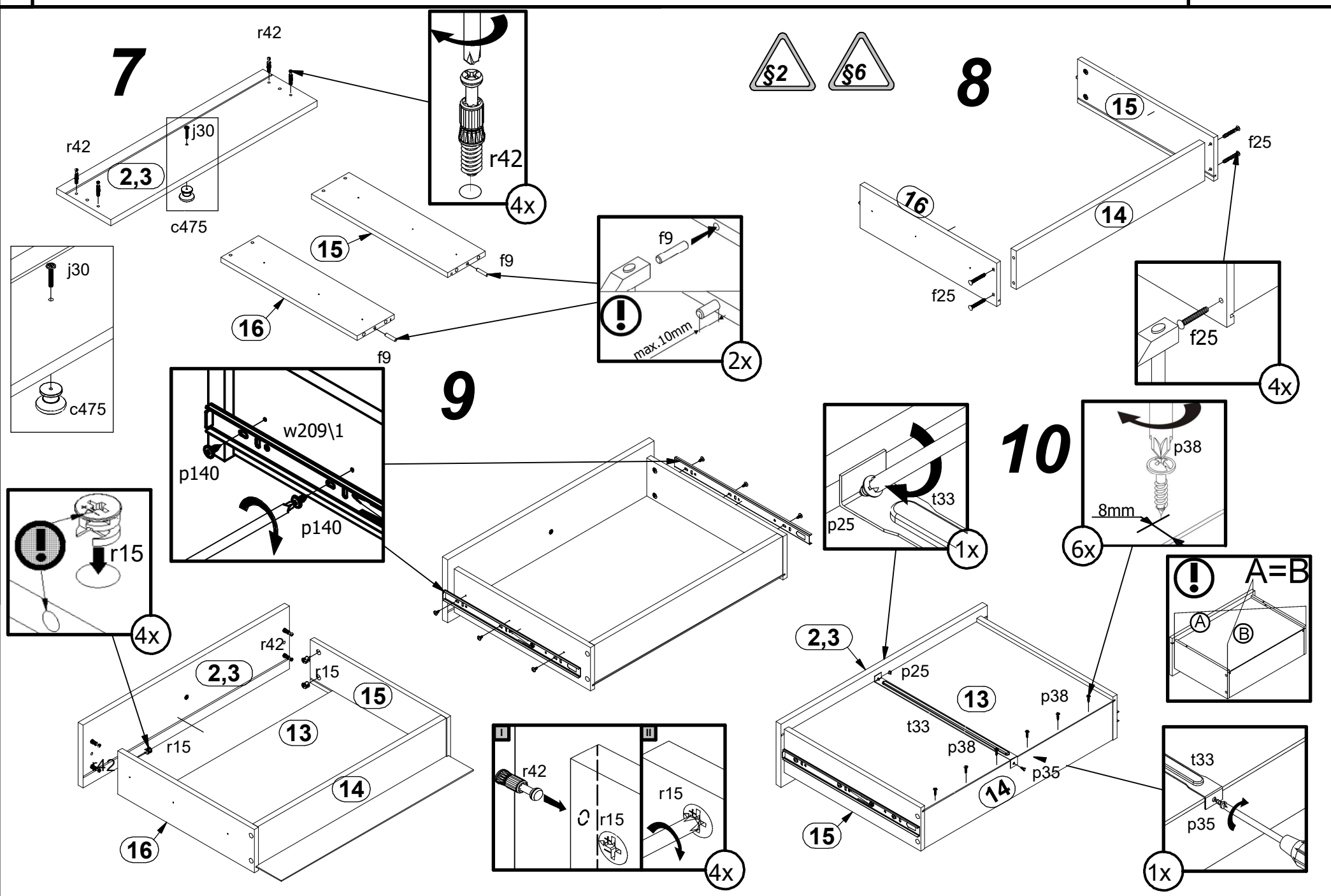


5

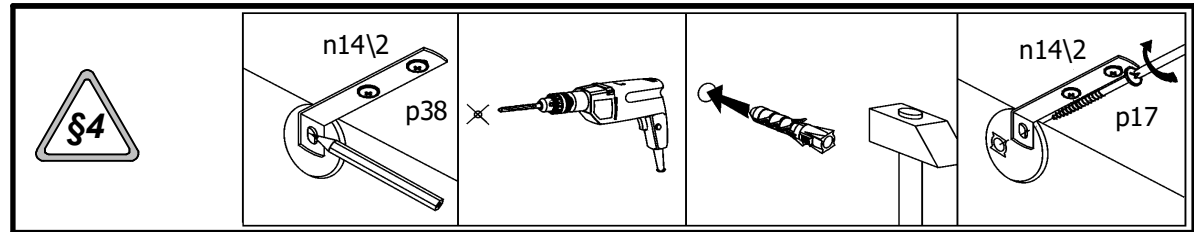


6

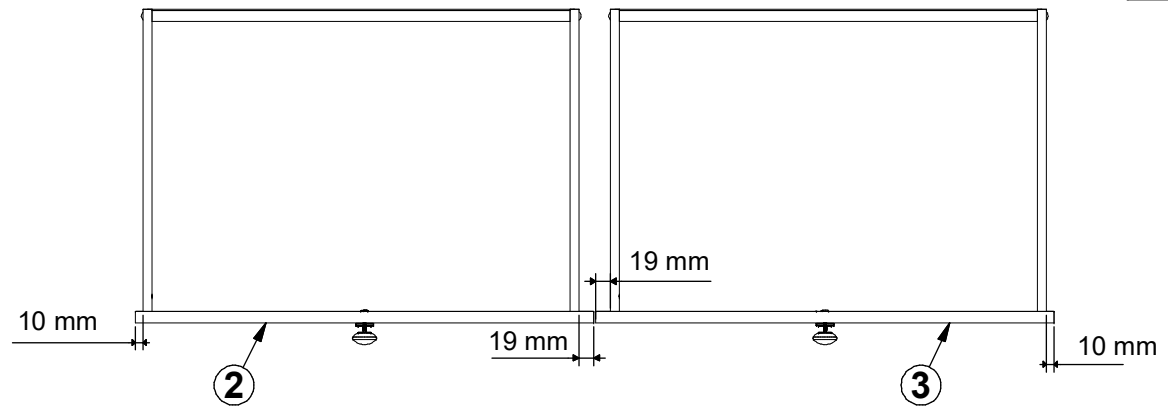
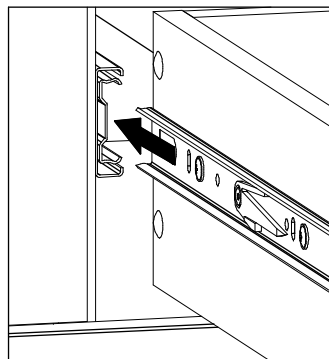
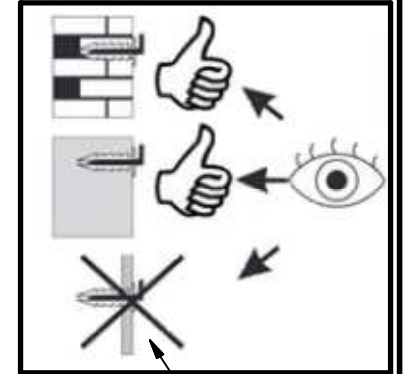
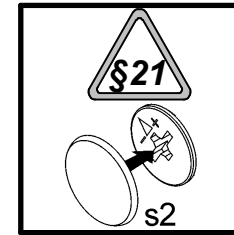
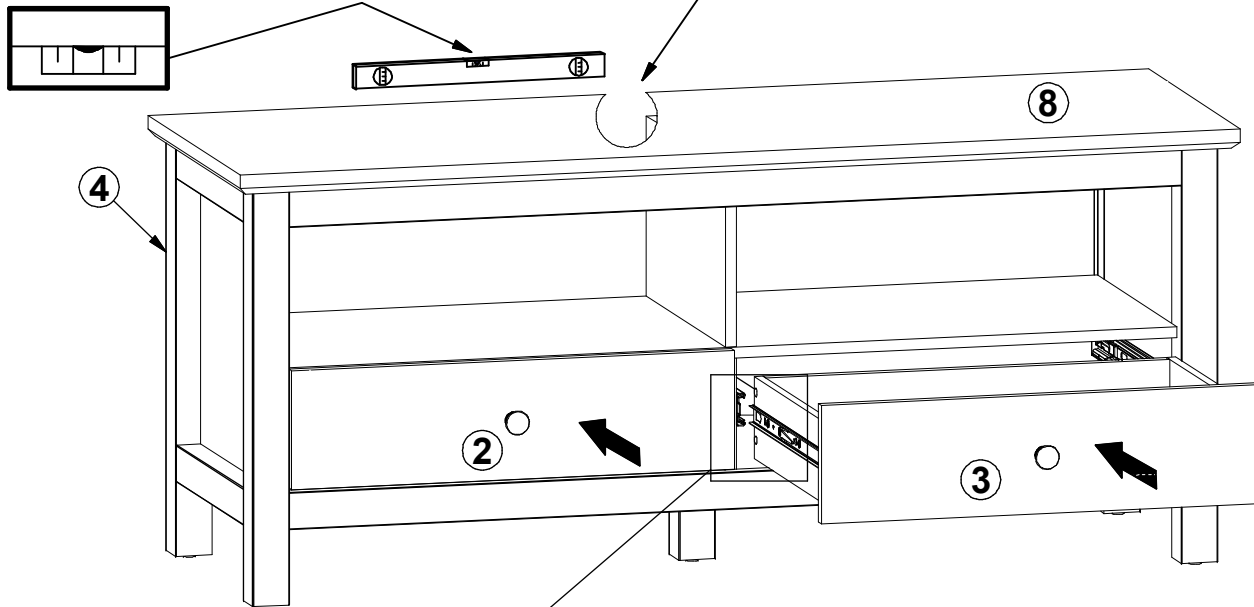




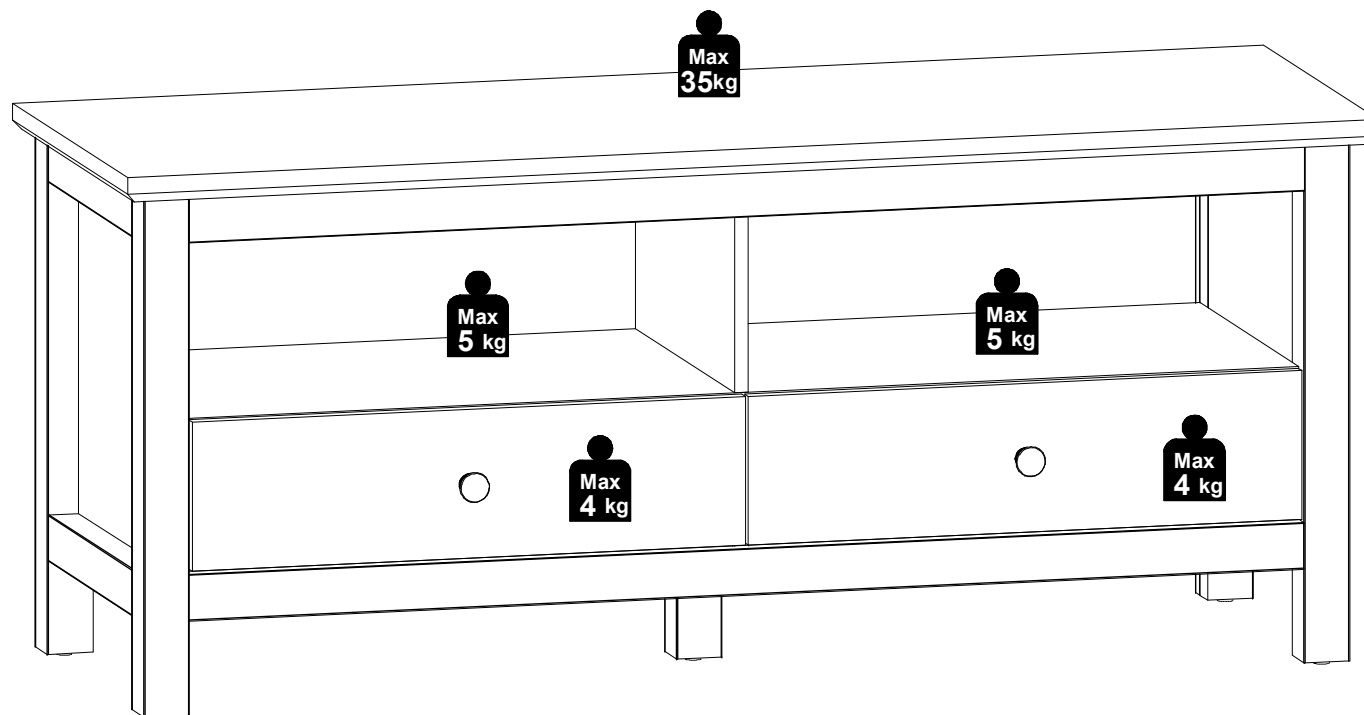
11

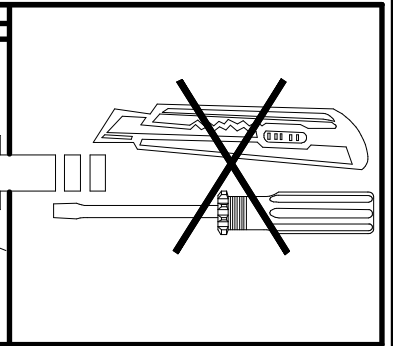
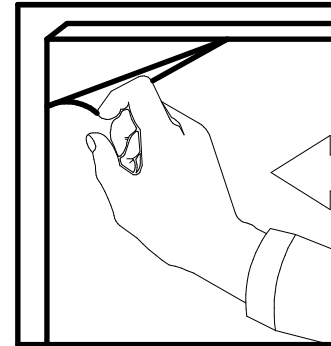
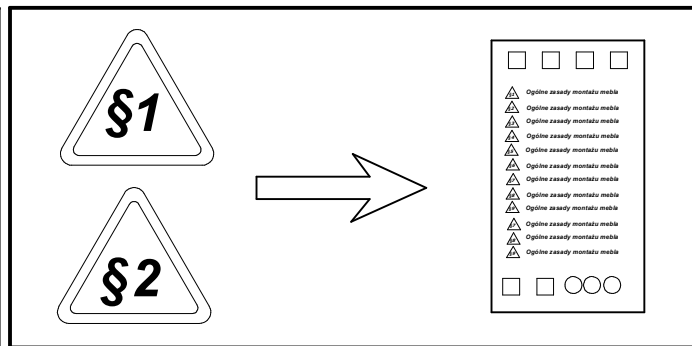
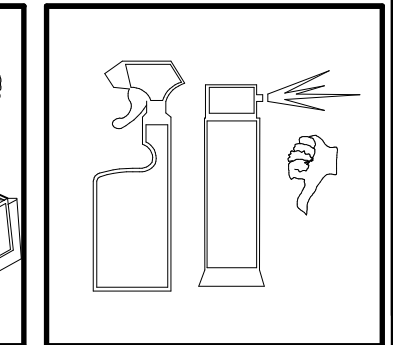
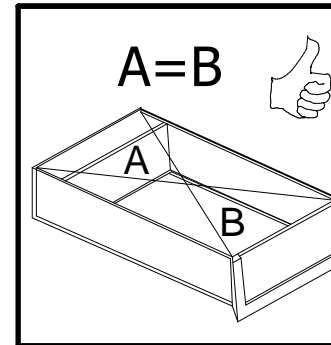
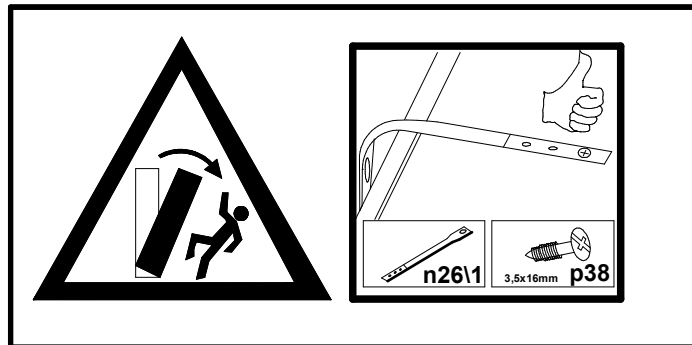
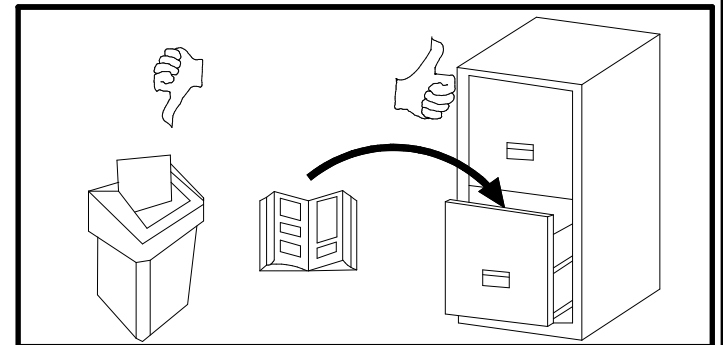
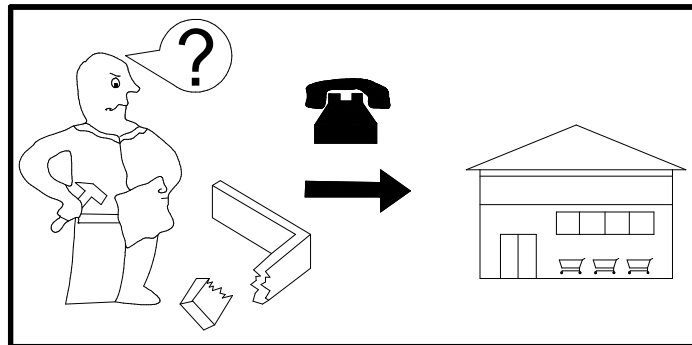
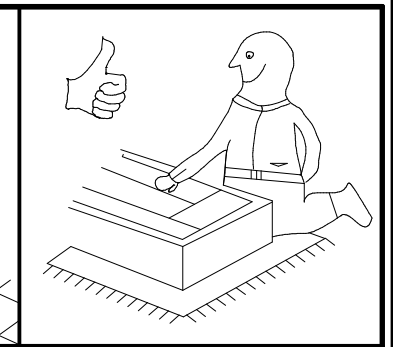
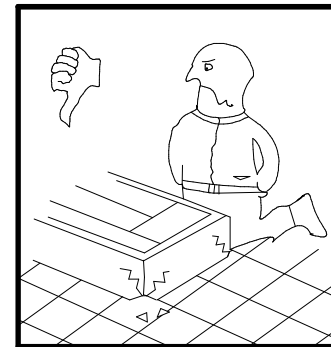
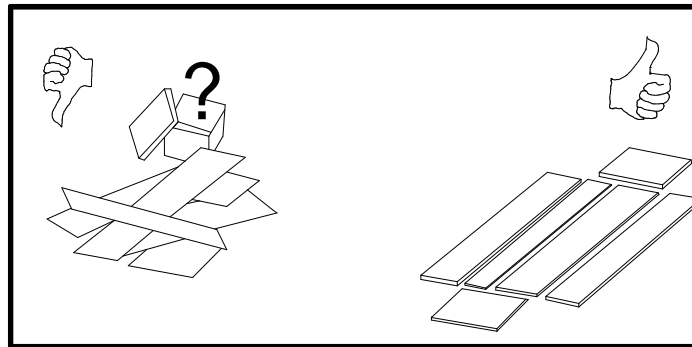
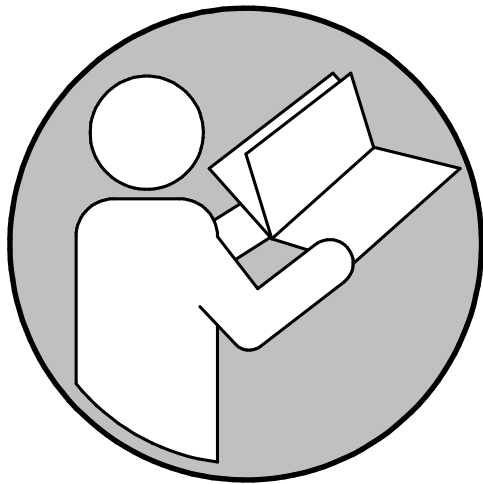


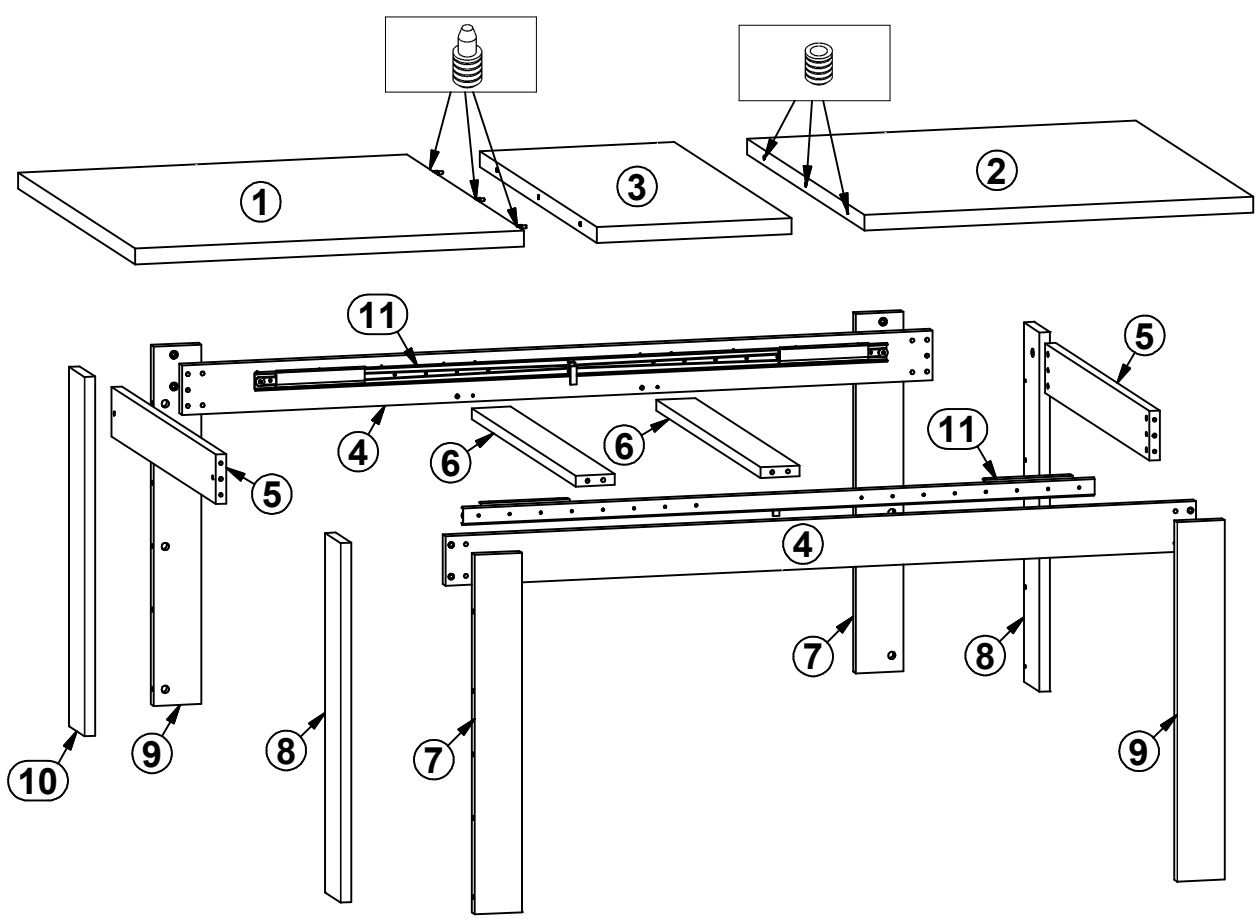
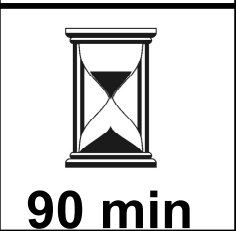
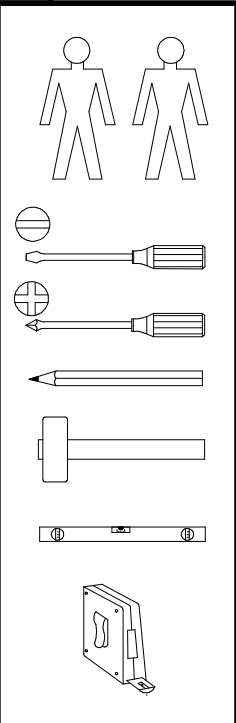
- 1x f35
Ø10x50 mm
- 1x n14/2
88x21x15/1.5
- 1x p17
Ø5x60 mm
- 2x p38
Ø3.5x16 mm



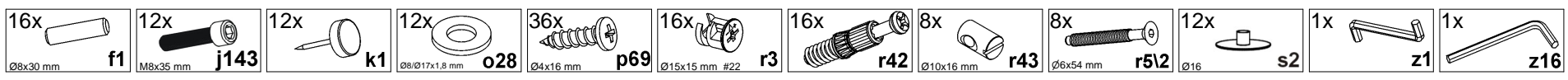
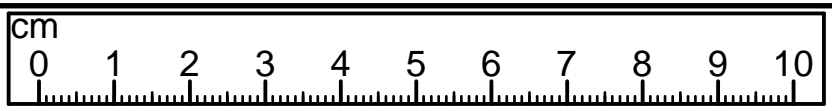
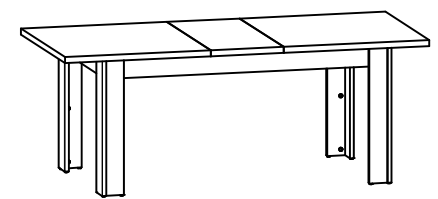
12



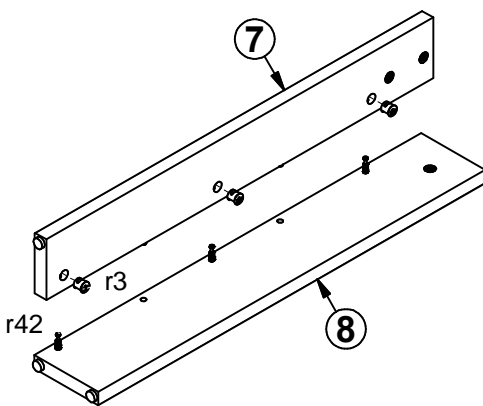
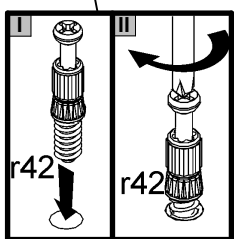
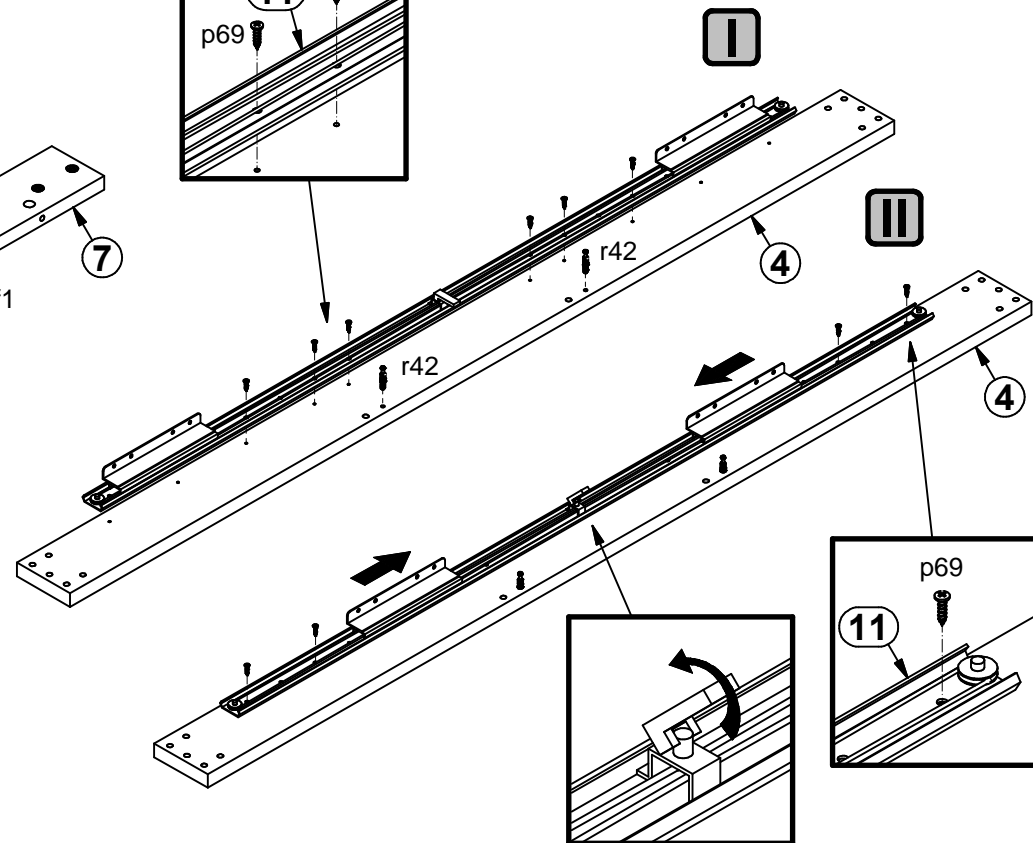
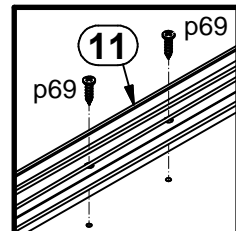
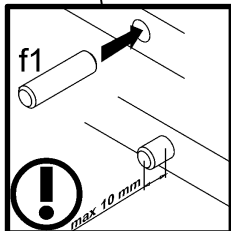
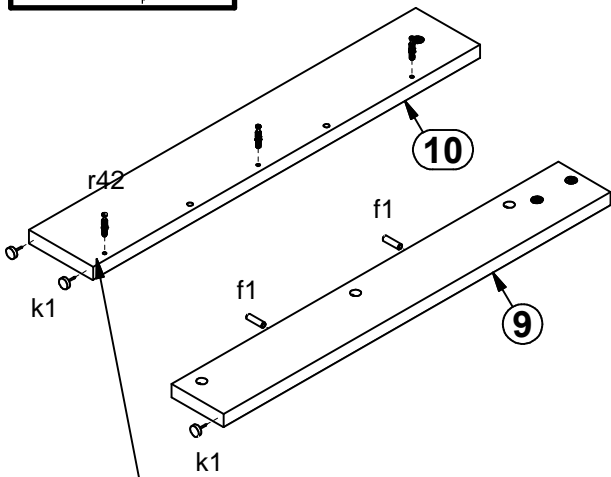
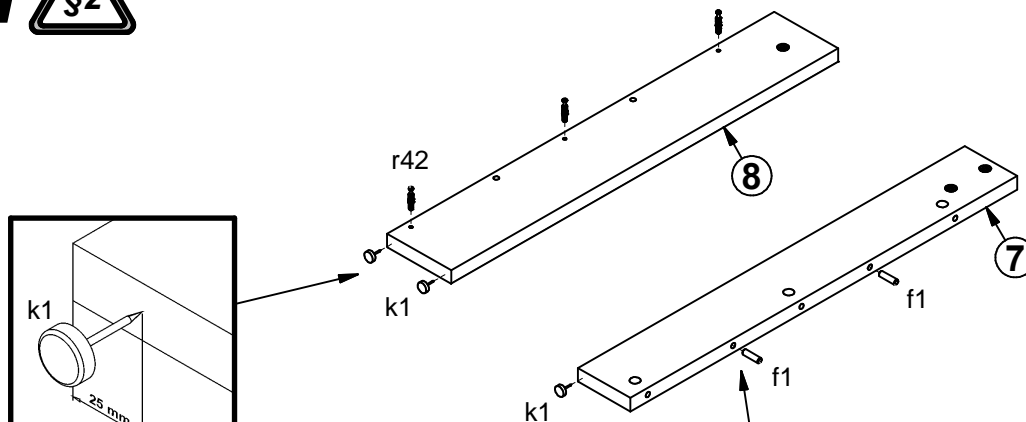
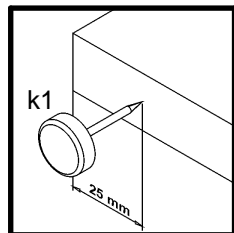




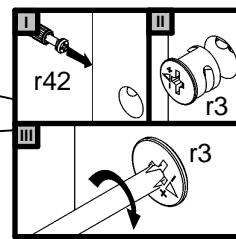
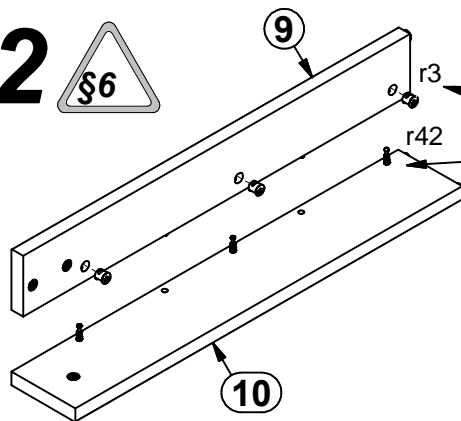
A	B	C (mm)		D
1	S214-205B	800	900	1/2
2	S214-206B	800	900	1/2
3	S214-207A	400	900	1/2
4	S214-403	1544	100	2/2
5	S214-404	800	100	2/2
6	S214-405	800	80	2/2
7	S214-5524A	725	98	2/2
8	S214-5525A	725	120	2/2
9	S214-5526A	725	98	2/2
10	S214-5527A	725	120	2/2
11	w121	1300		2/2

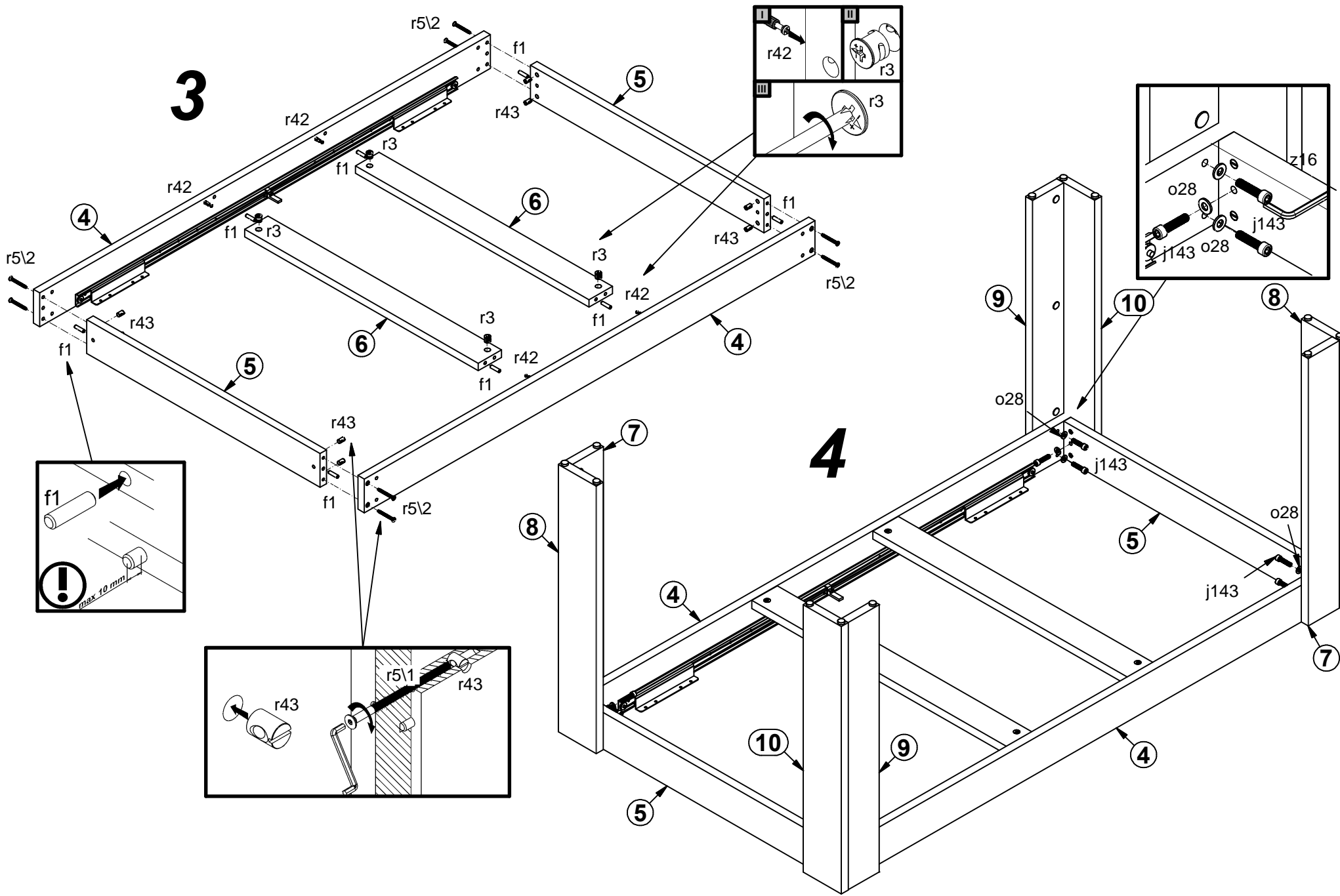


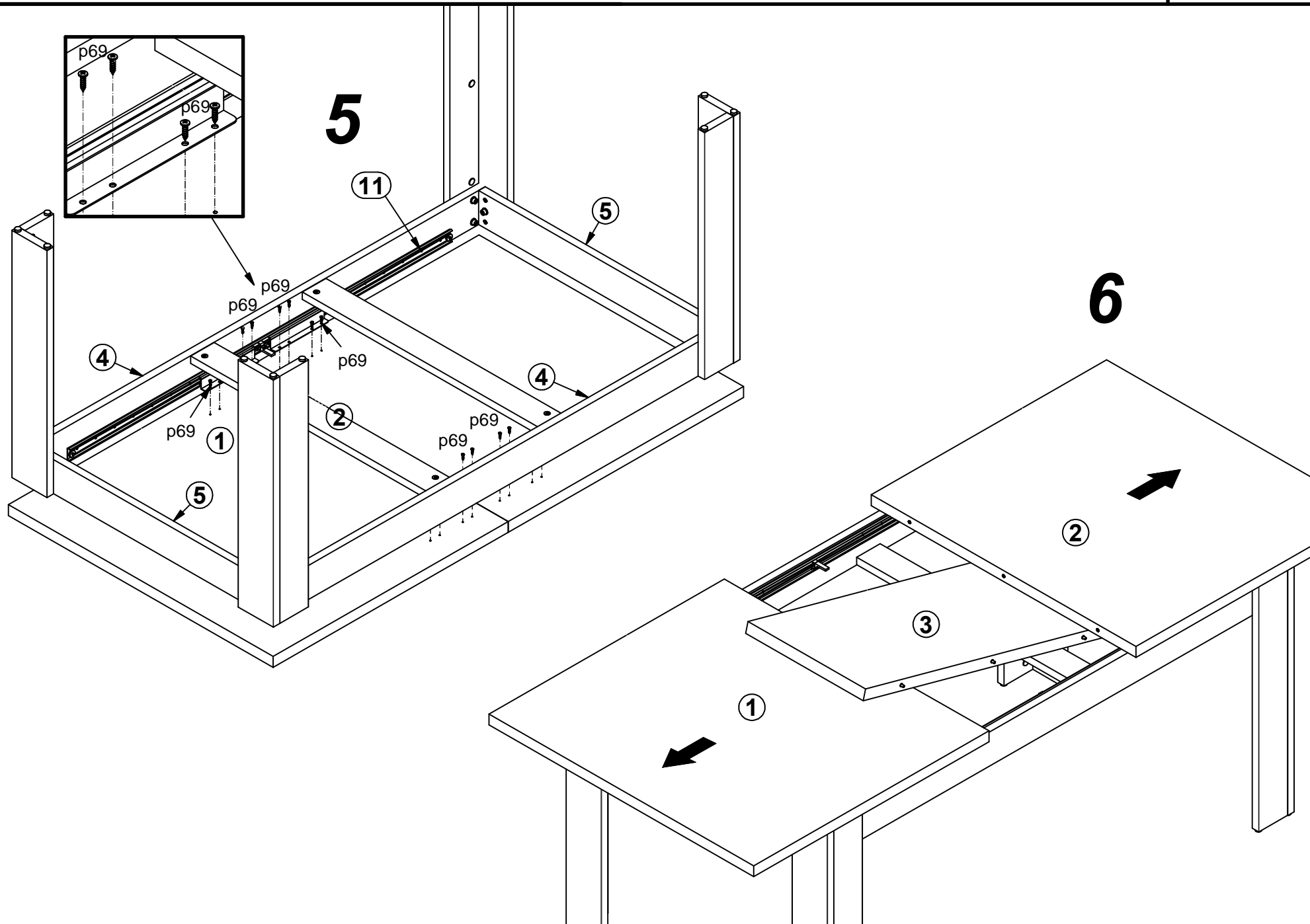
1 §2



2 §6







7

