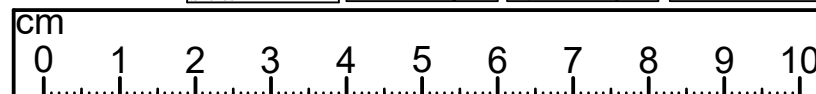
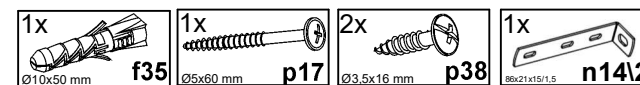
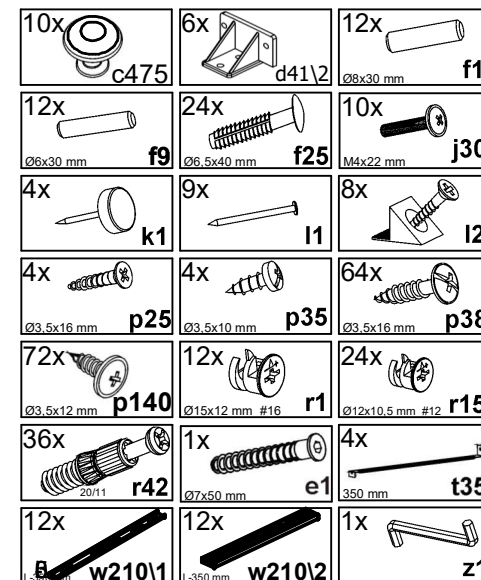
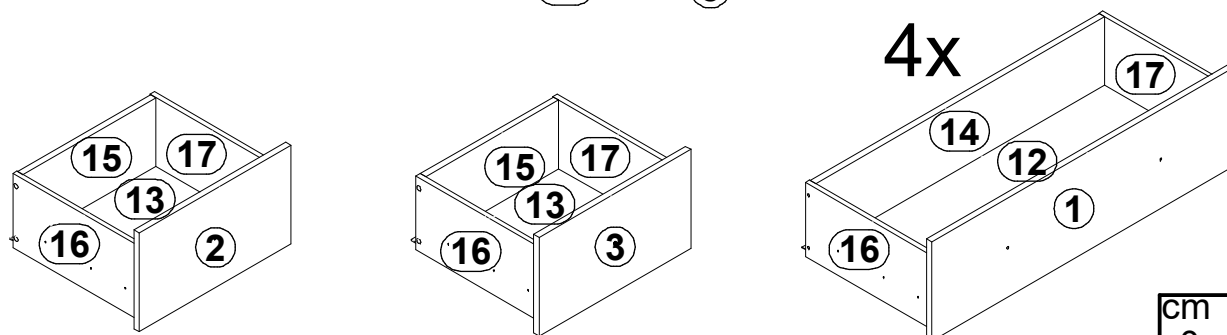
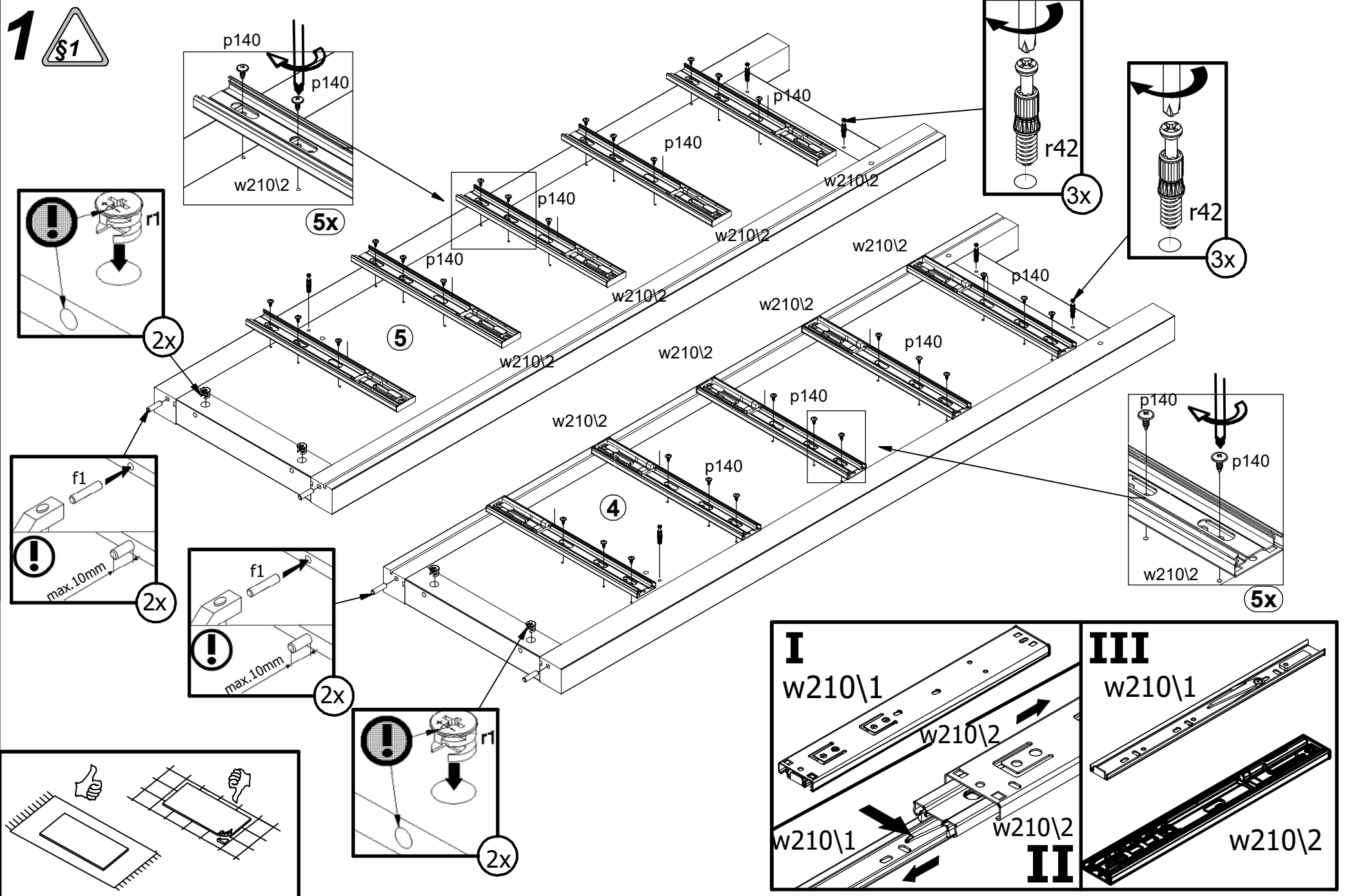
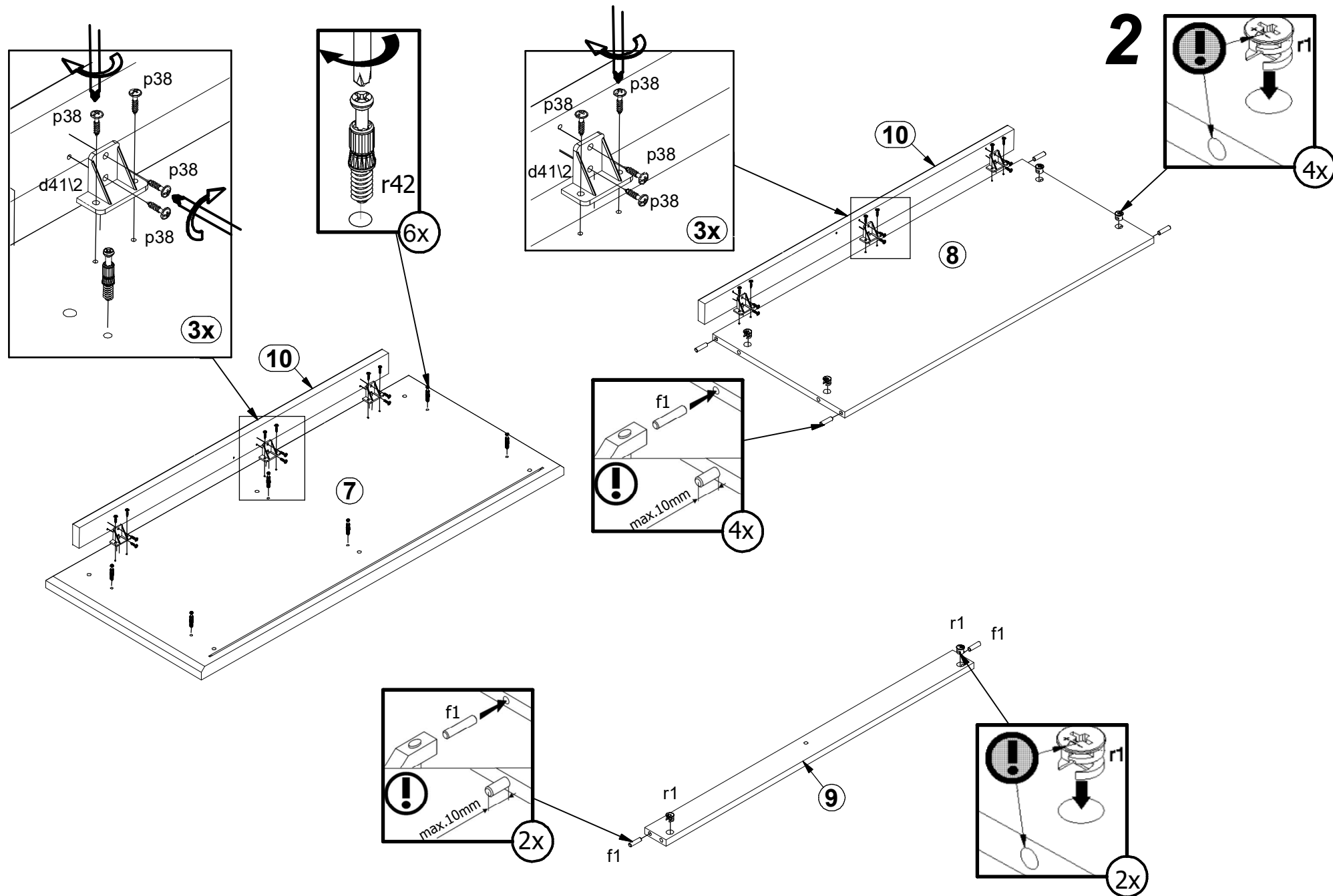


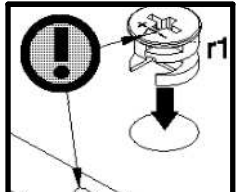
A	B1	B2	C1	C2	C3	D
1	S515-0007	-	855	240	15	1/3
2	S515-0008	-	426	240	15	1/3
3	S515-0009	-	426	240	15	1/3
4	S515-1013	A	1423	413	50	3/3
5	S515-1014	A	1423	413	50	3/3
6	S515-1015	A	286	372	15	2/3
7	S515-2005	A	1010	438	28	2/3
8	S515-3011	A	861	372	15	1/3
9	S515-4001	-	862	60	15	1/3
10	S515-5204	-	861	50	19	3/3
11	S515-9304	-	1292	871	2,5	3/3
12	WSP-9331	-	821	358	2,5	1/3
13	WSP-9332	-	383	358	2,5	1/3
14	ZK3-5077	-	811	167	15	2/3
15	ZK3-5078	-	373	167	15	2/3
16	ZK4-503	-	350	180	12	2/3
17	ZK4-504	-	350	180	12	2/3



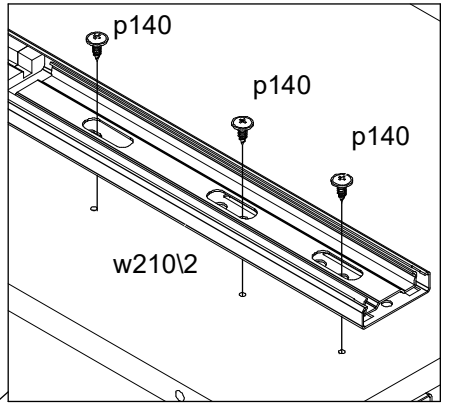
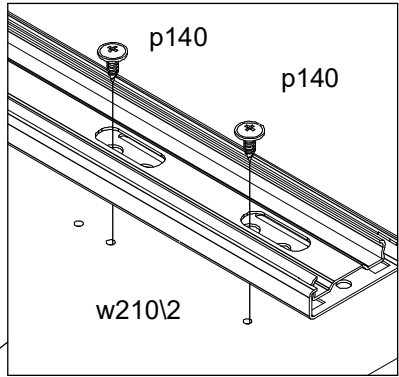




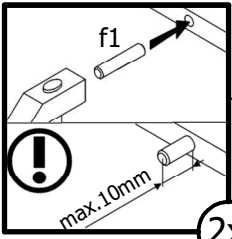
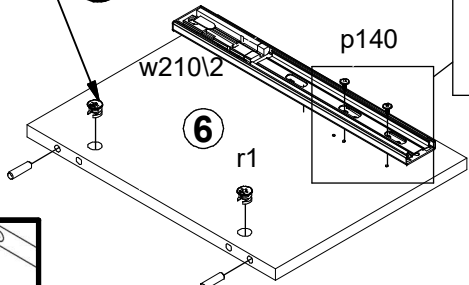
3



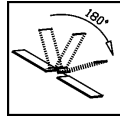
2x



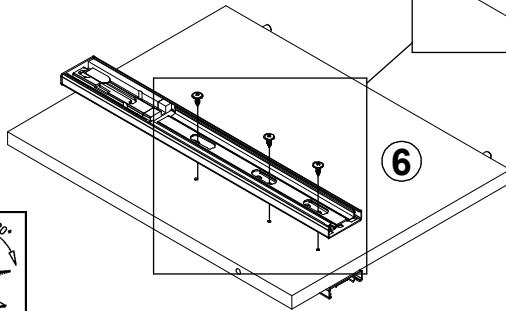
I



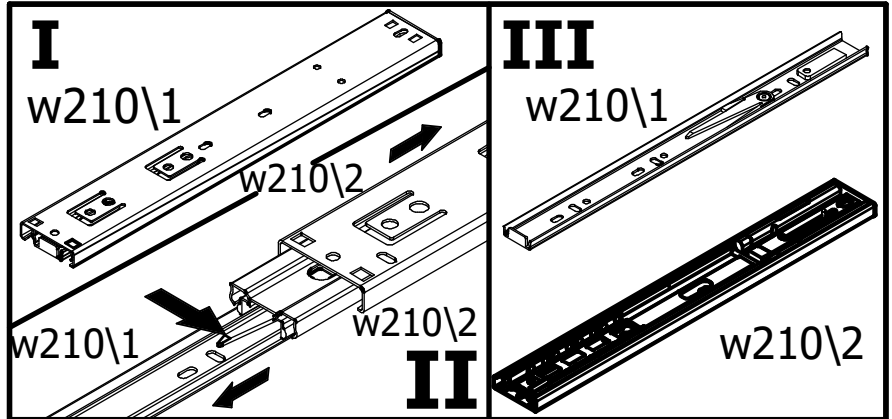
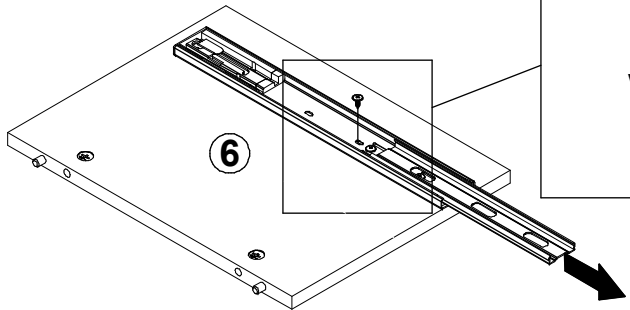
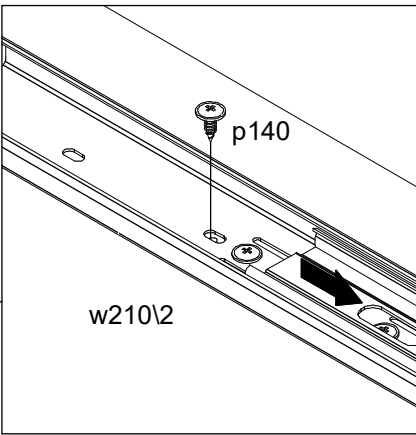
2x

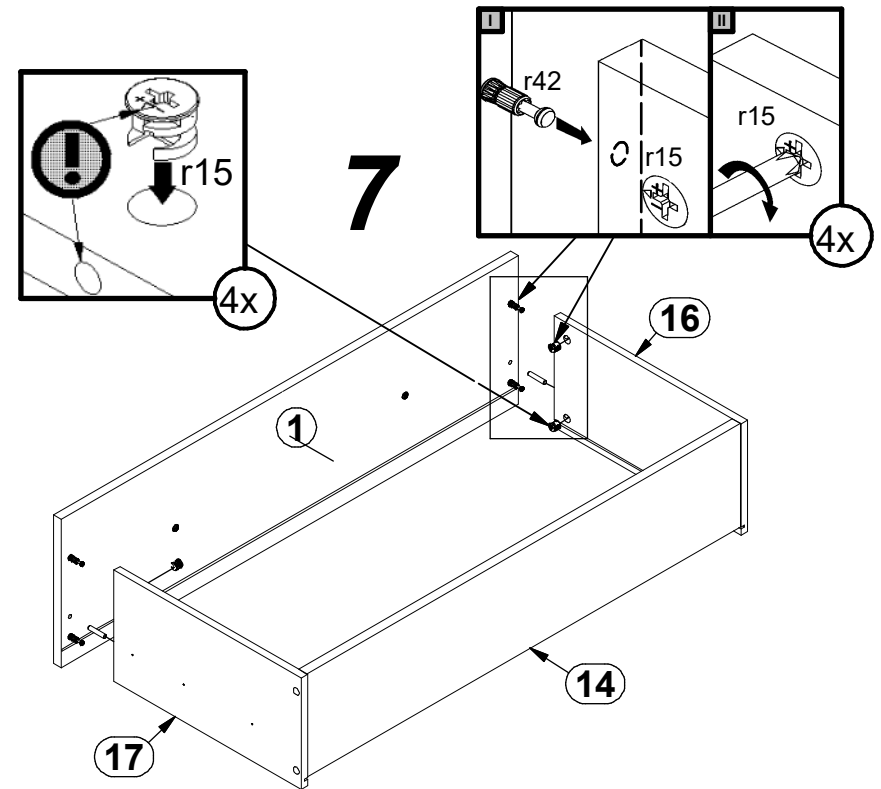
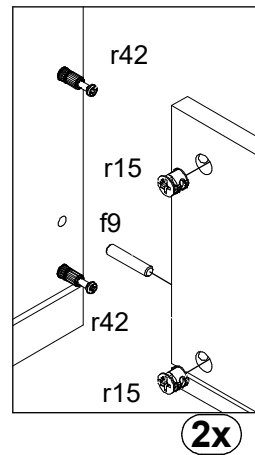
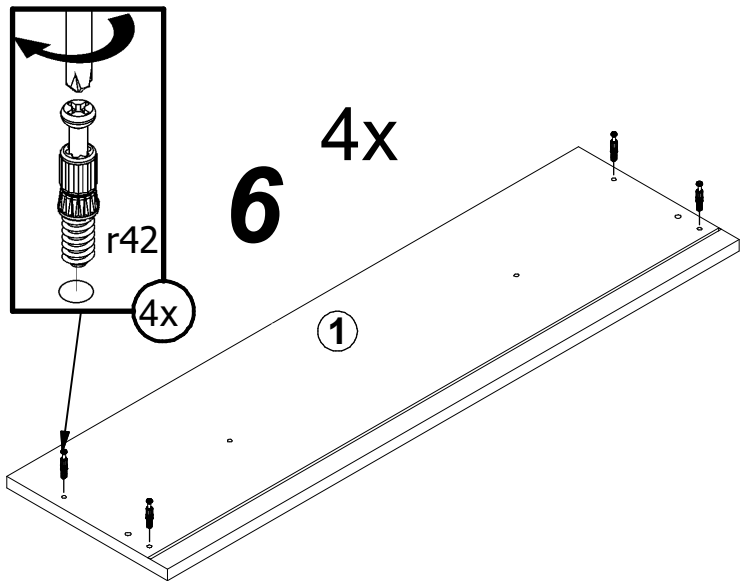
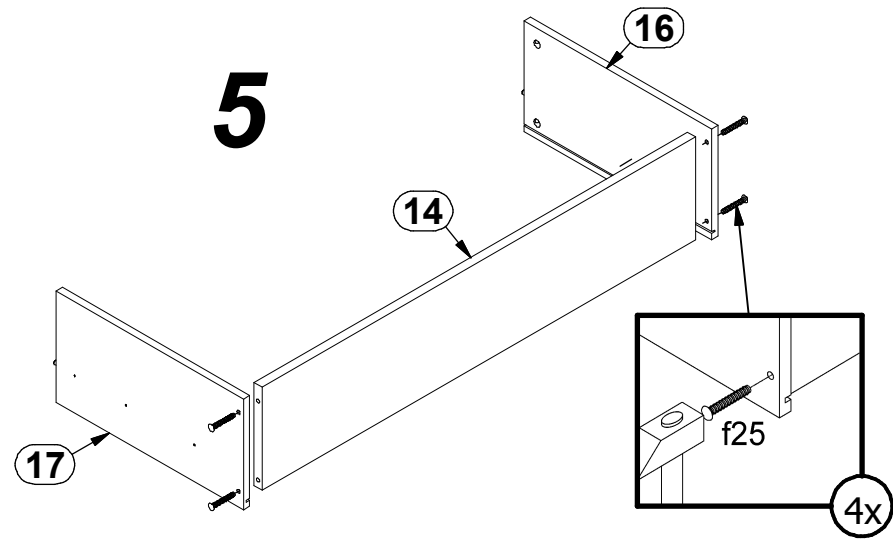
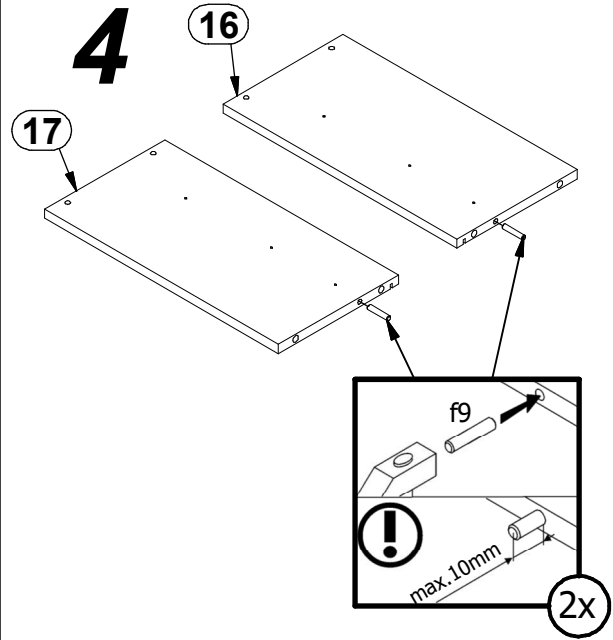


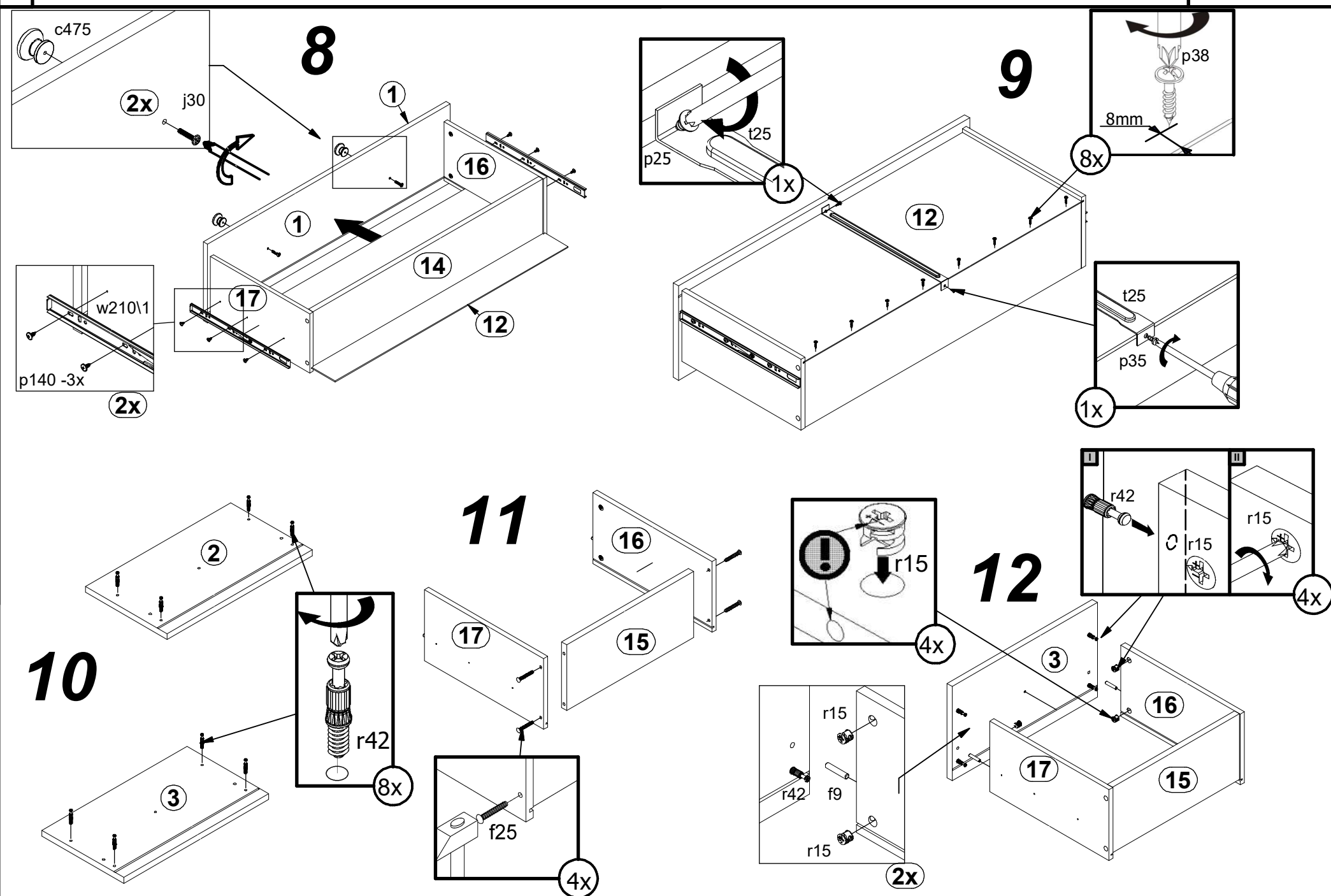
III

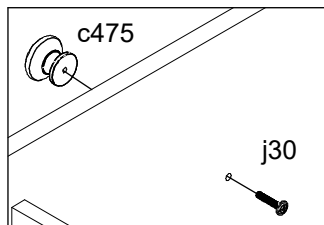


III



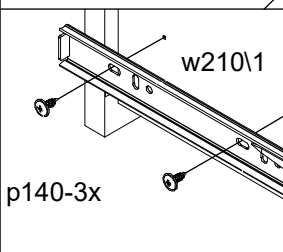
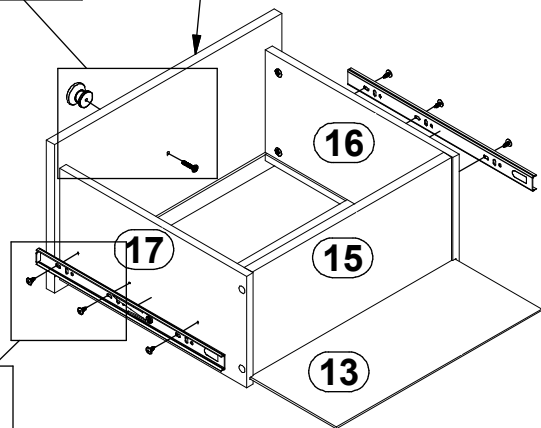






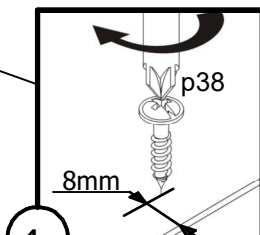
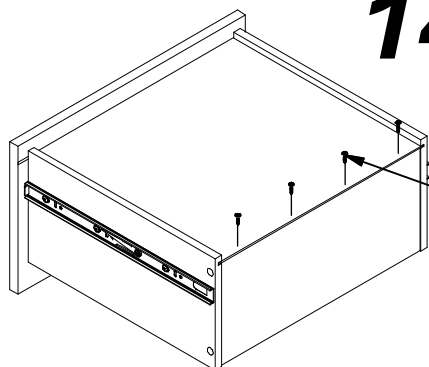
13

2,3



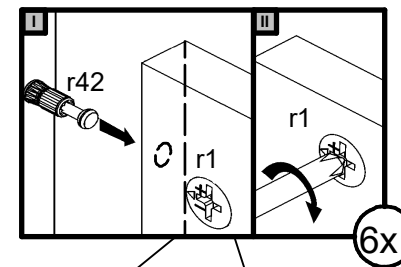
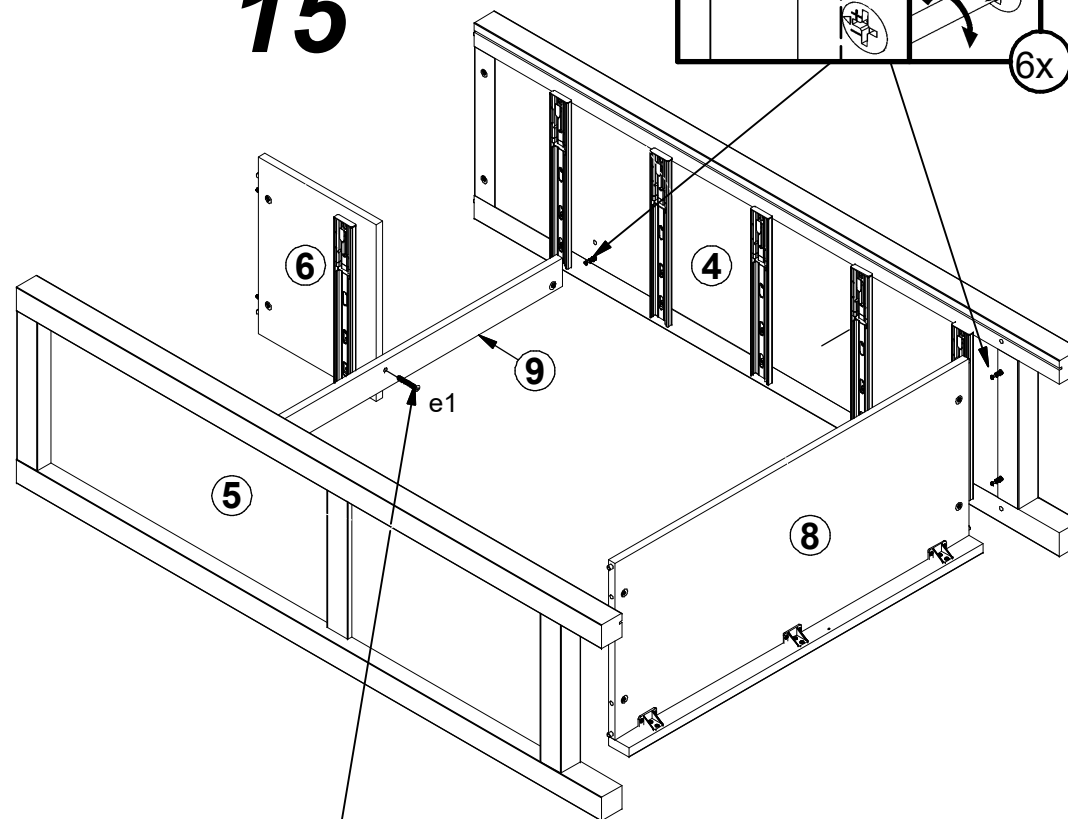
2x

14

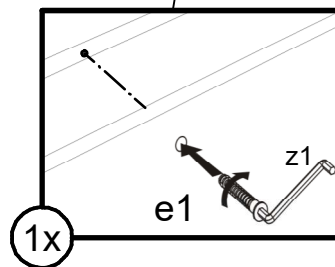


4x

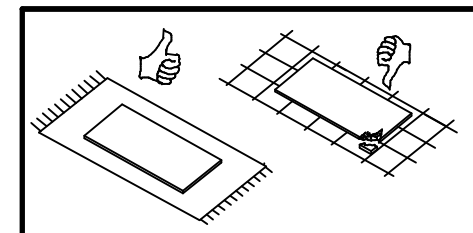
15



6x

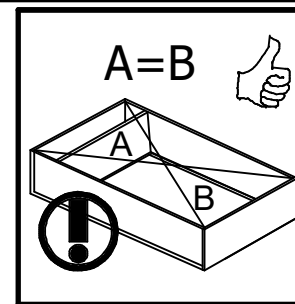
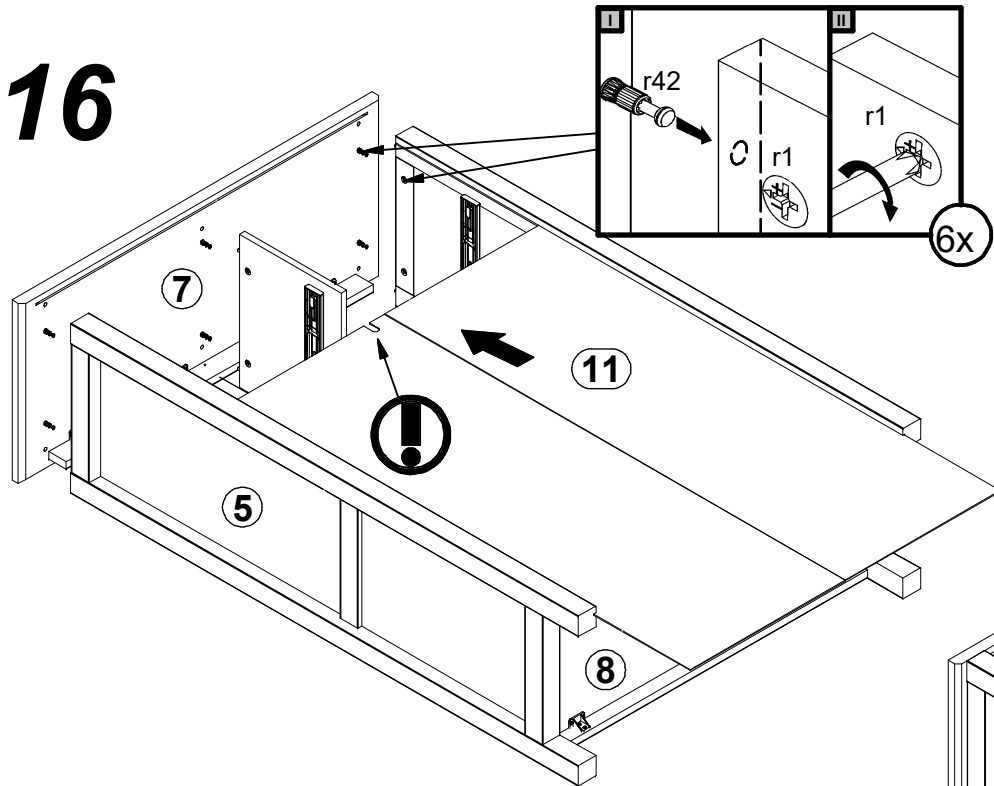


1x

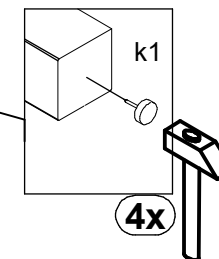
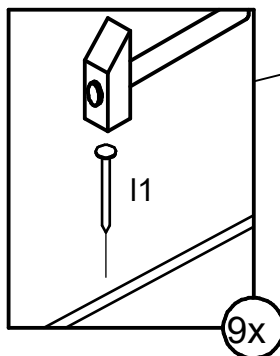
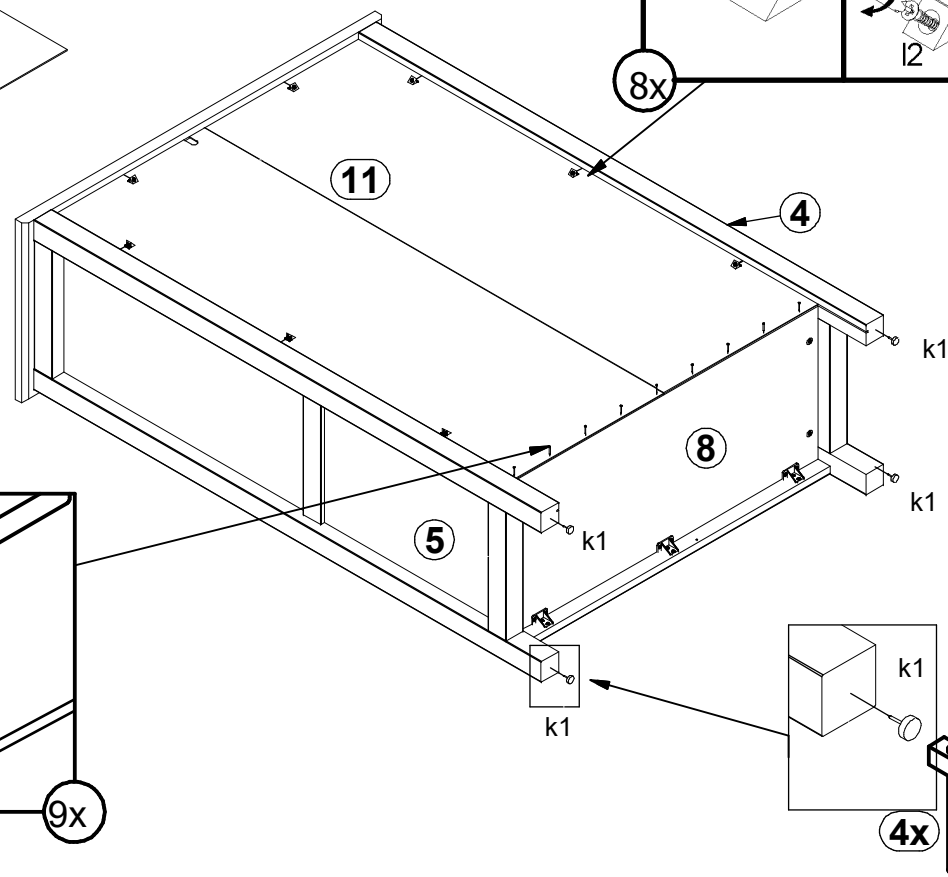
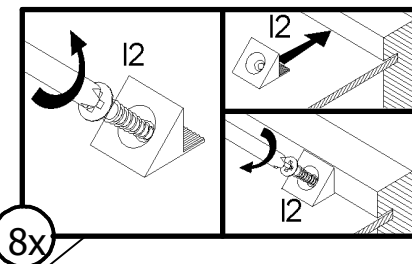


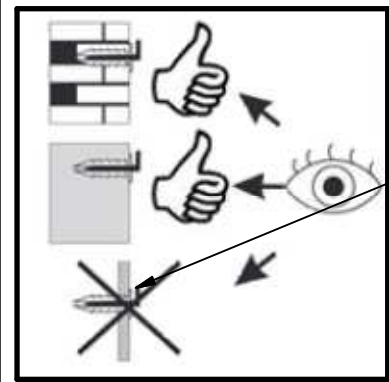
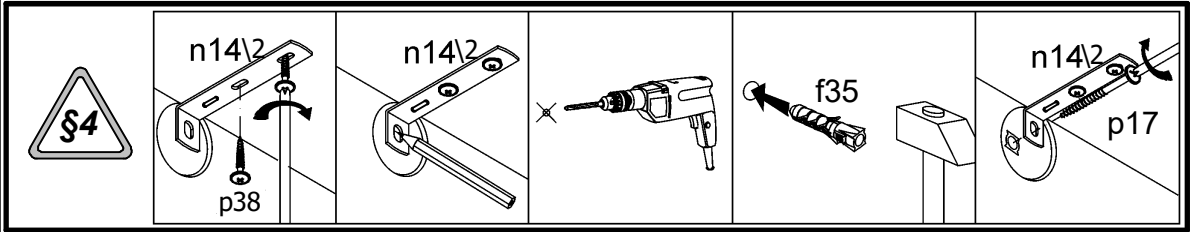


16



17





18

