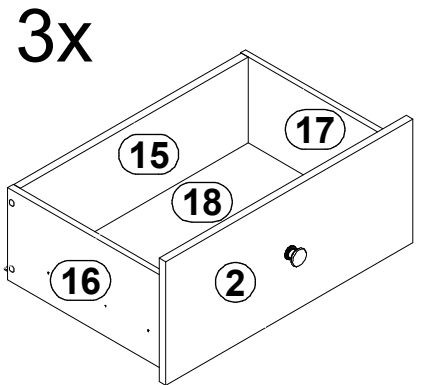


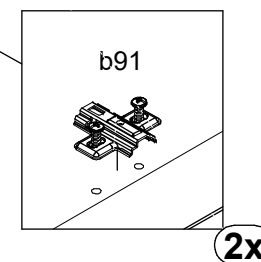
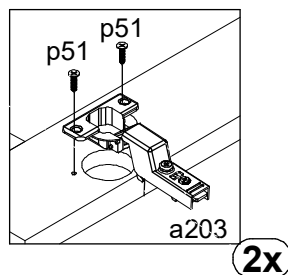
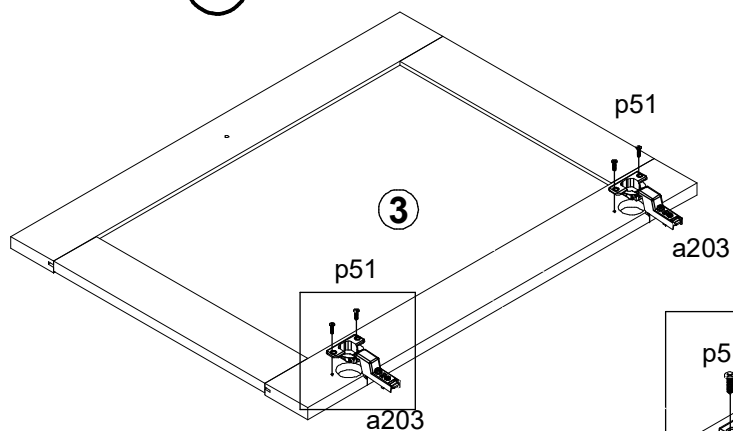
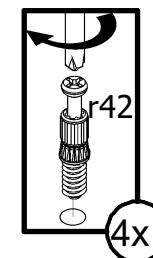
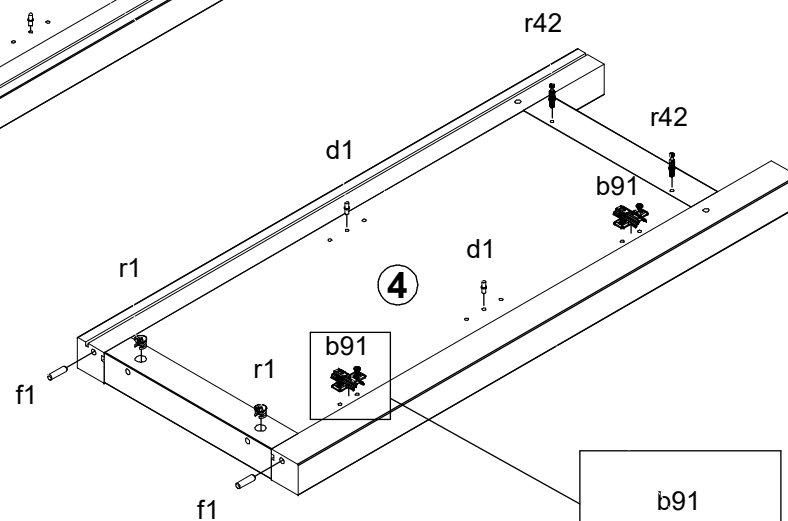
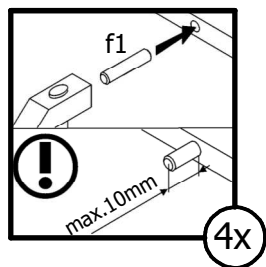
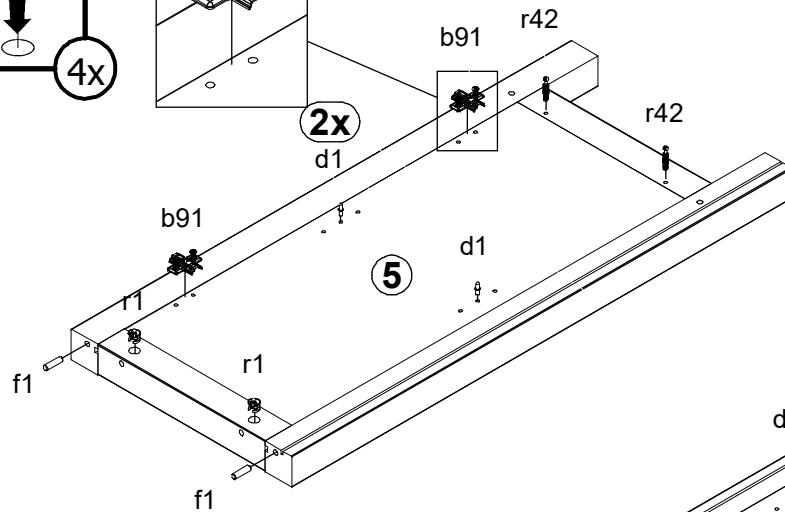
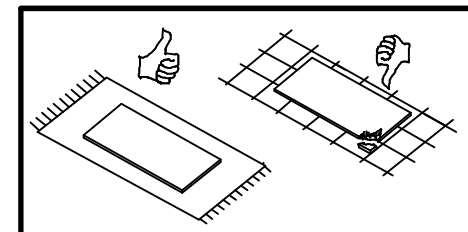
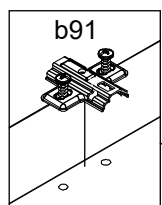
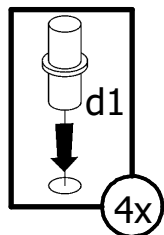
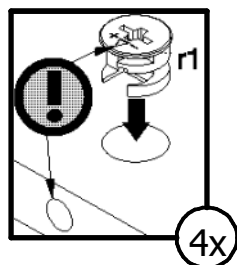
A	B1	B2	C1	C2	C3	D
1	S503-5005	-	134	50	50	1/3
2	S515-0005	-	555	240	15	2/3
3	S515-0014	-	728	555	19	2/3
4	S515-1025	A	935	413	50	1/3
5	S515-1026	A	935	413	50	1/3
6	S515-1027	A	786	390	15	1/3
7	S515-1028	A	786	390	15	1/3
8	S515-2009	A	1862	438	28	3/3
9	S515-3005	A	560	362	15	2/3
10	S515-3020	A	1713	372	15	3/3
11	S515-5207	-	1713	50	19	3/3
12	S515-9007	-	804	574	2,5	2/3
13	S515-9008	-	804	575	2,5	2/3
14	S515-9009	-	804	574	2,5	2/3
15	ZK3-5074	-	511	167	15	2/3
16	ZK4-503	-	350	180	12	2/3
17	ZK4-504	-	350	180	12	2/3
18	WSP-9560	B	522	358	2,5	3/3



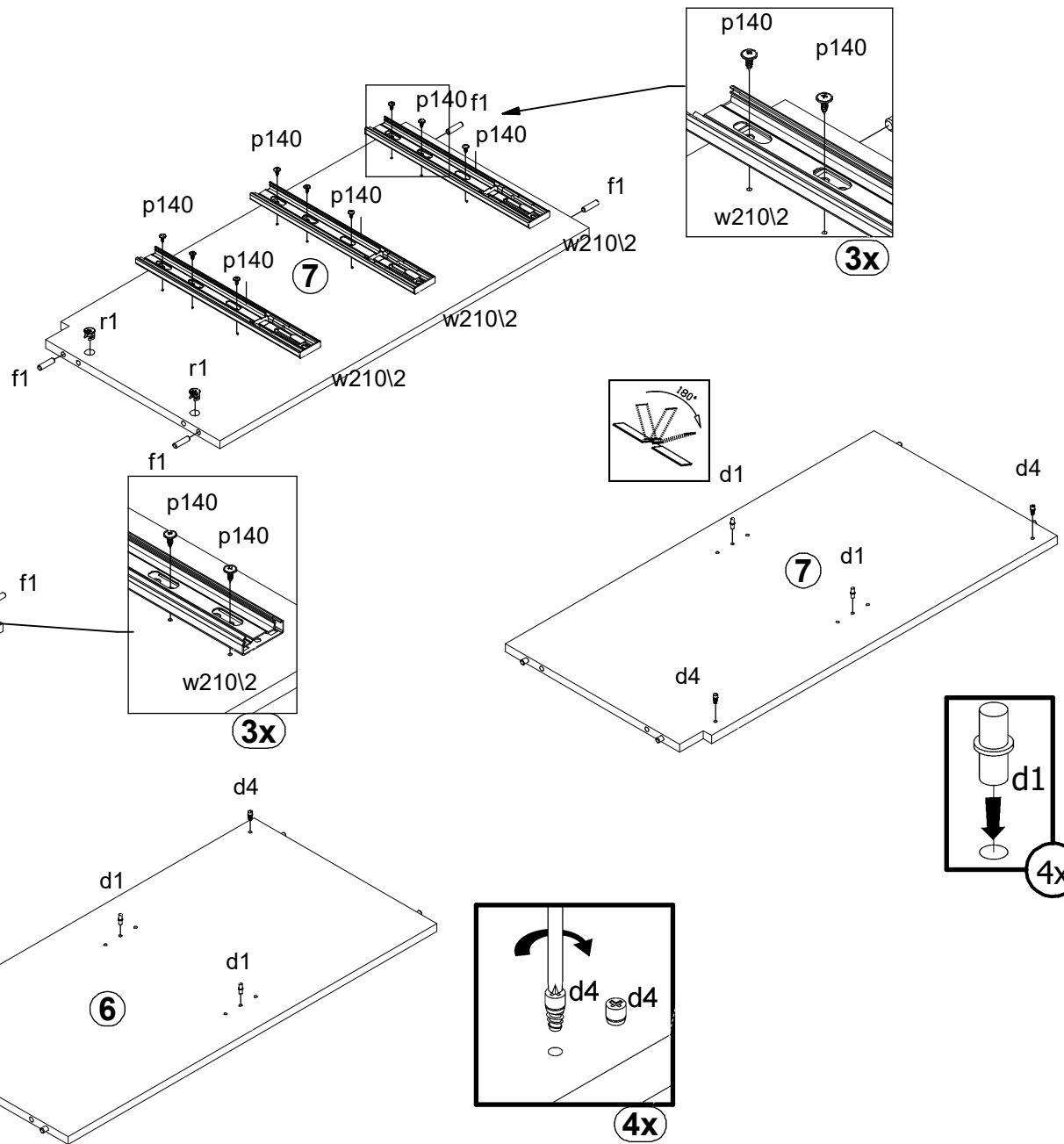
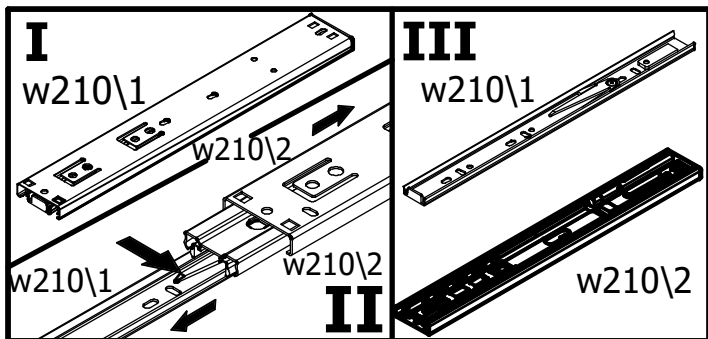
3x 350 mm t35	3x Ø3.5x16 mm p25	3x Ø3.5x10 mm p35	1x z1	3x M4x22 mm j30	8x Ø2.9x16 mm p55	8x 20x13x3.5 n108	6x d41/2				
4x b91	4x K16; Ø35 a203	2x M4x25 mm j8	6x k1	17x l1	8x Ø5x17 mm d1	5x c475	9x l2	42x Ø3.5x16 mm p38	8x Ø3.5x15 mm p51		
6x w210/1	4x Ø6.3x15 mm d4	6x Ø7x50 mm e1	12x Ø15x12 mm #16 r1	24x 20/11 r42	8x Ø16 s2	6x L-350 mm w210/2	6x Ø6x30 mm f9	12x Ø6.5x40 mm f25	12x Ø12x10.5 mm #12 r15	16x Ø8x30 mm f1	36x Ø3.5x12 mm p140
2x Ø10x50 mm f35	2x Ø5x60 mm p17	4x Ø3.5x16 mm p38	2x n14/2								



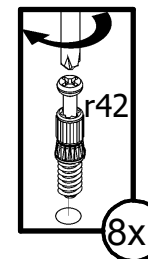
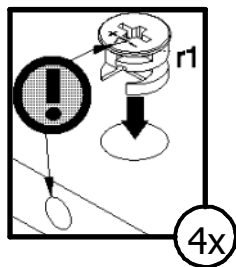
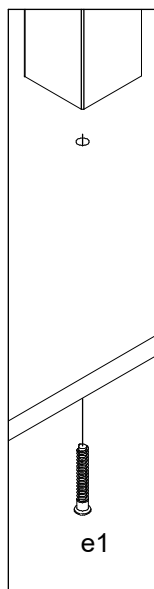
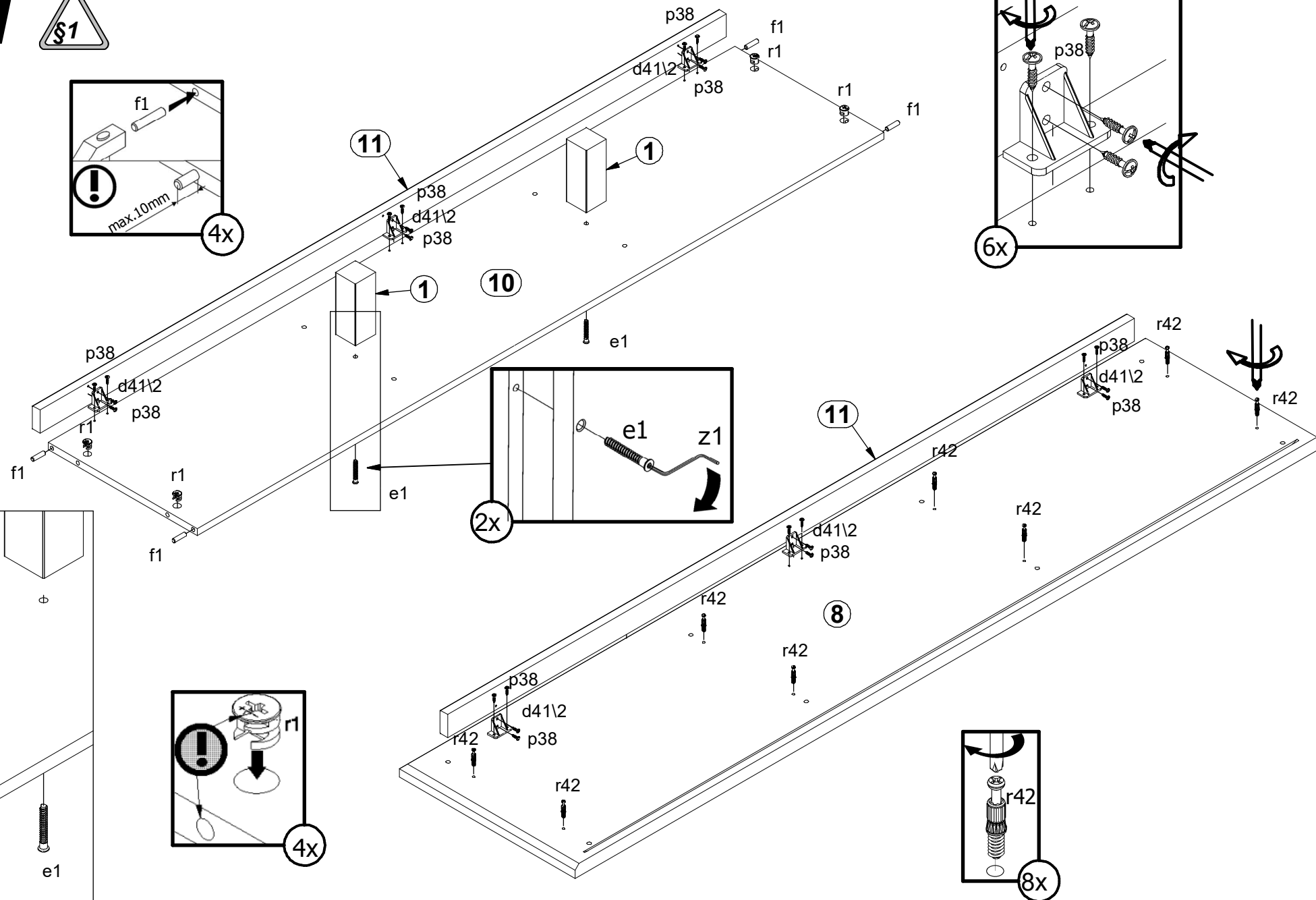
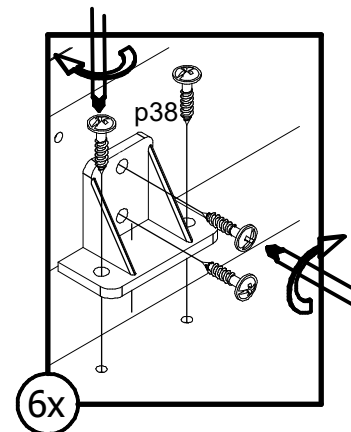
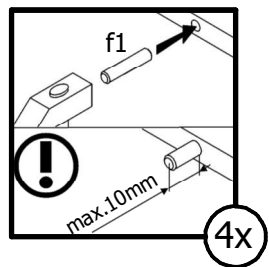
1 §1

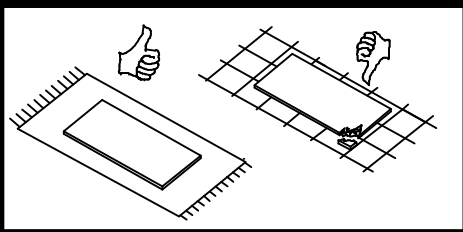


**1** 



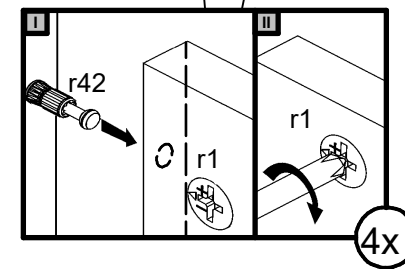
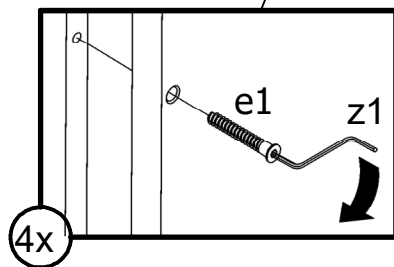
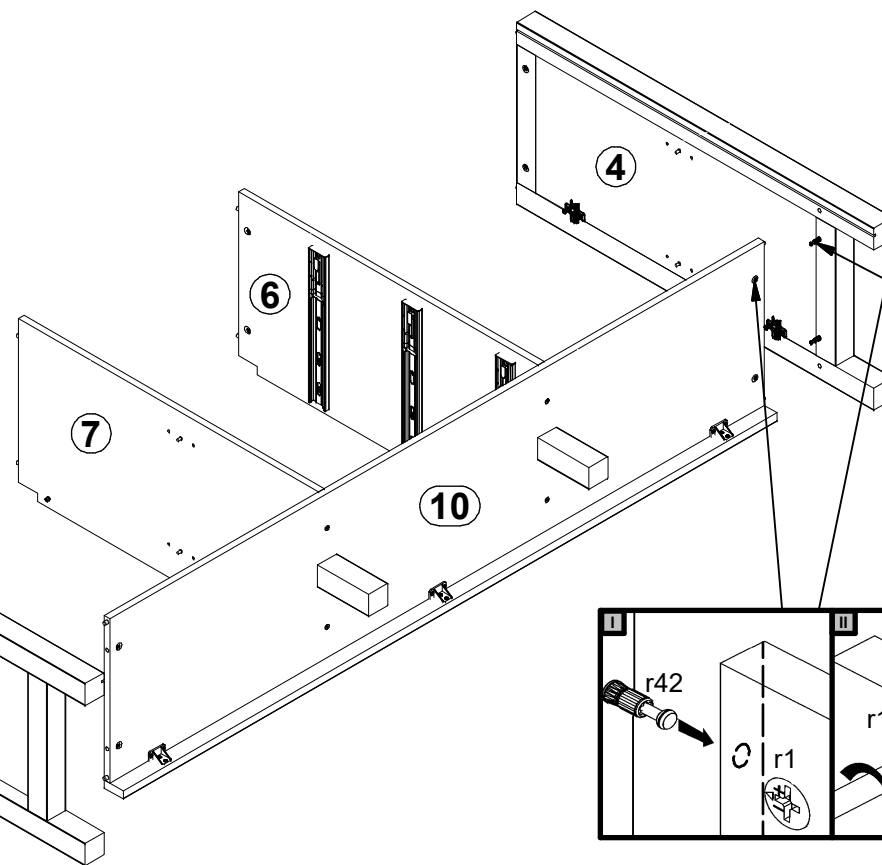
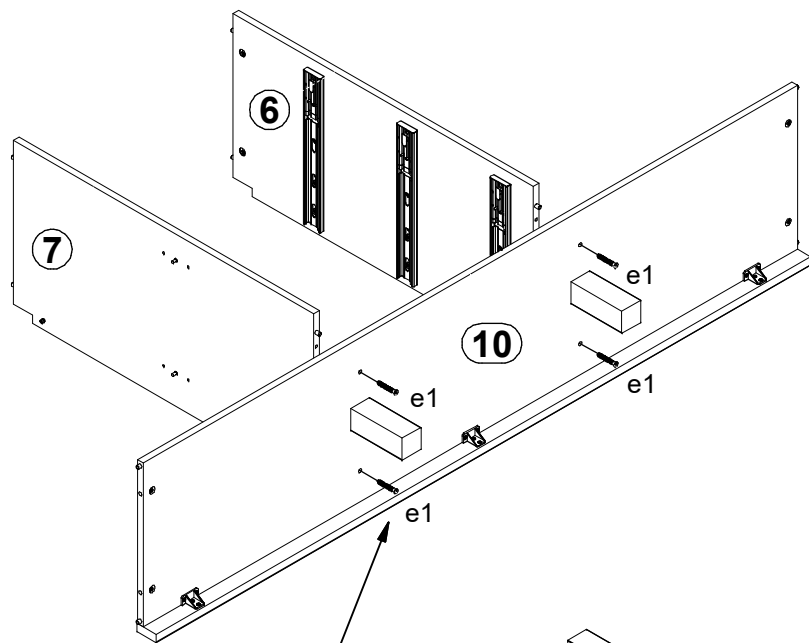
1





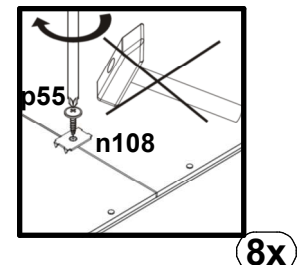
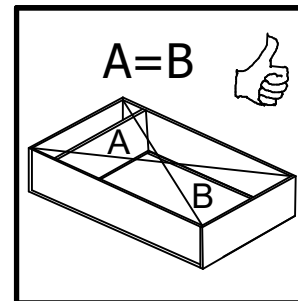
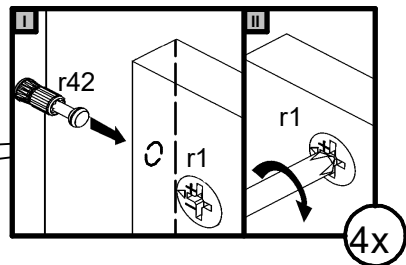
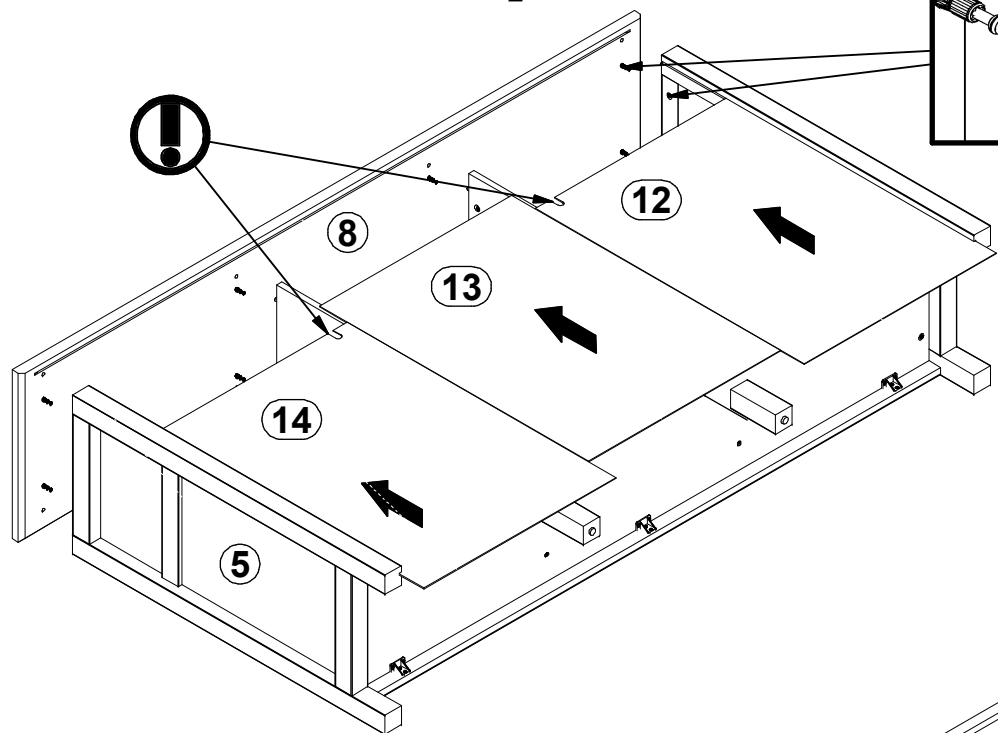
2

3

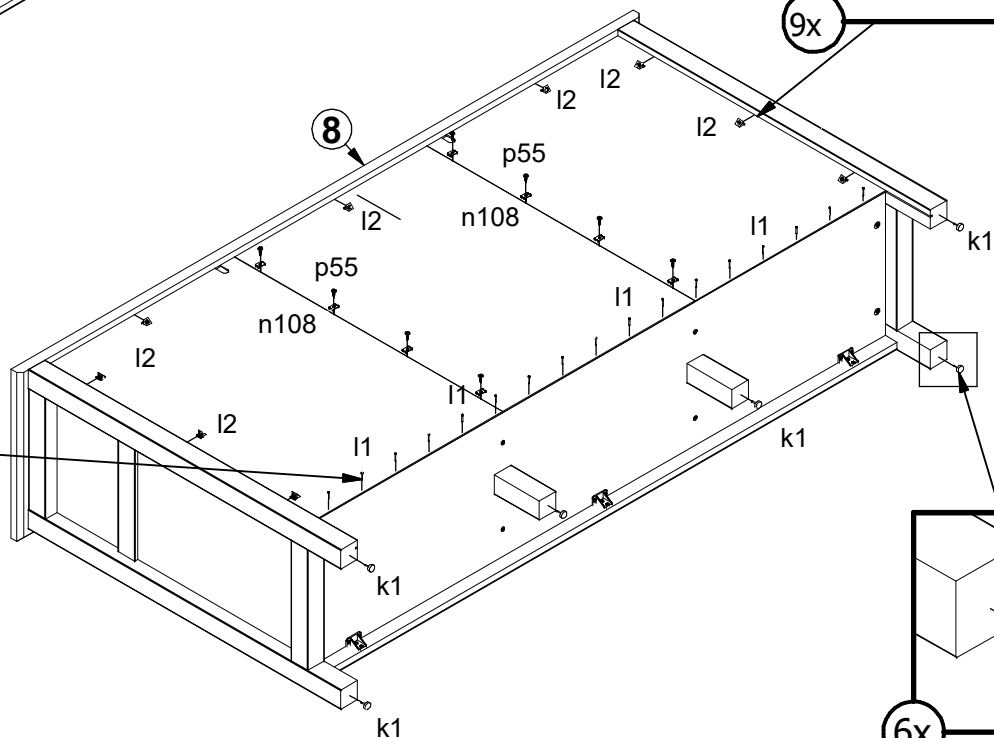




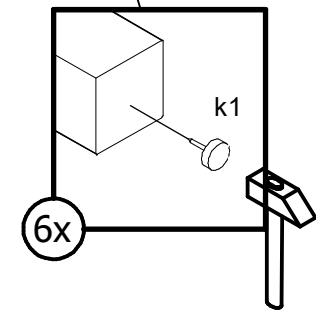
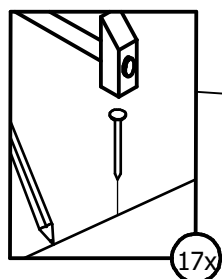
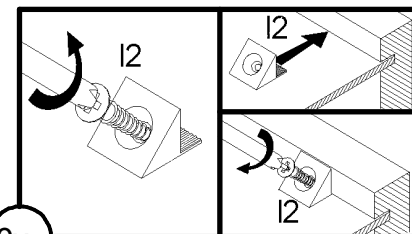
4

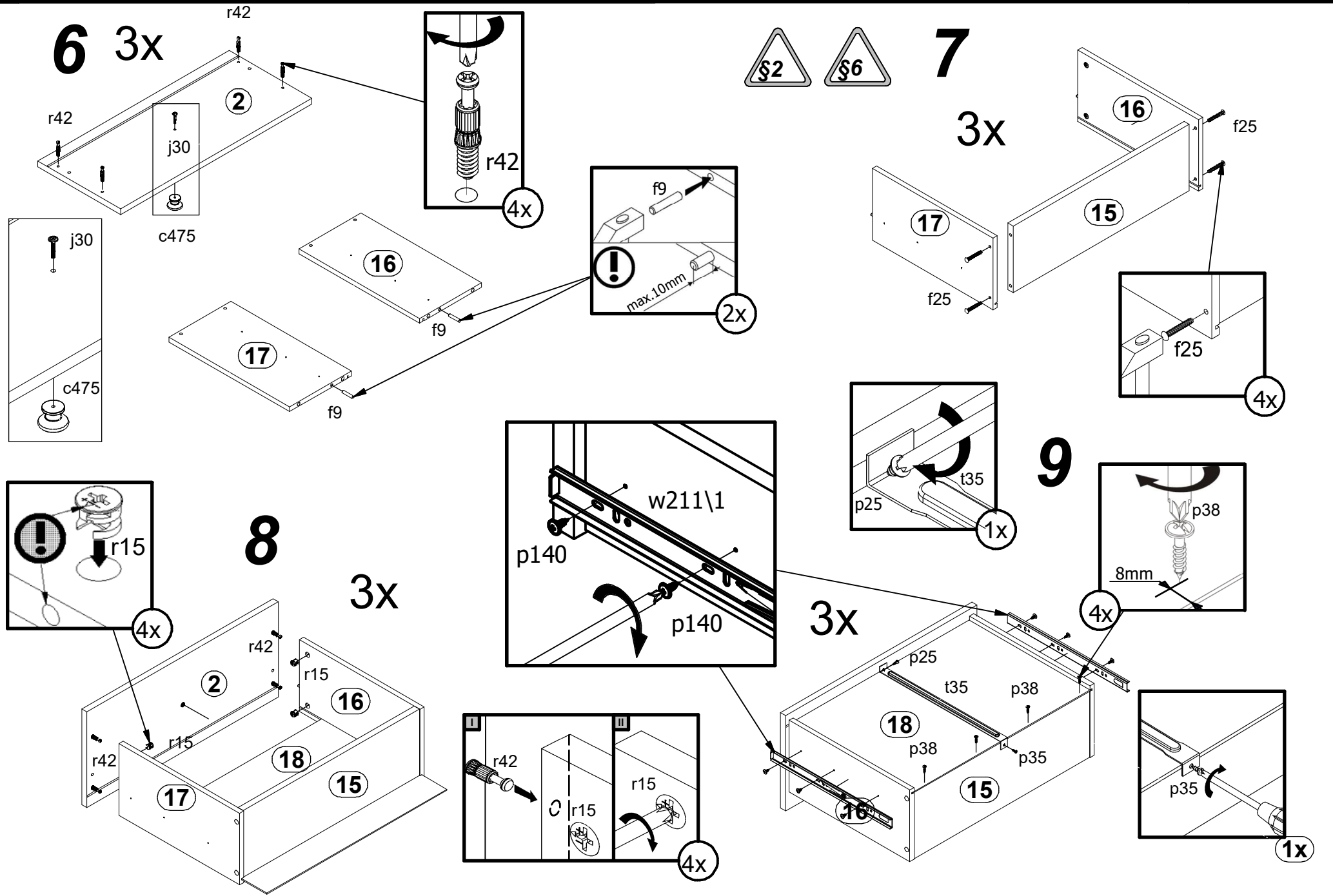


5



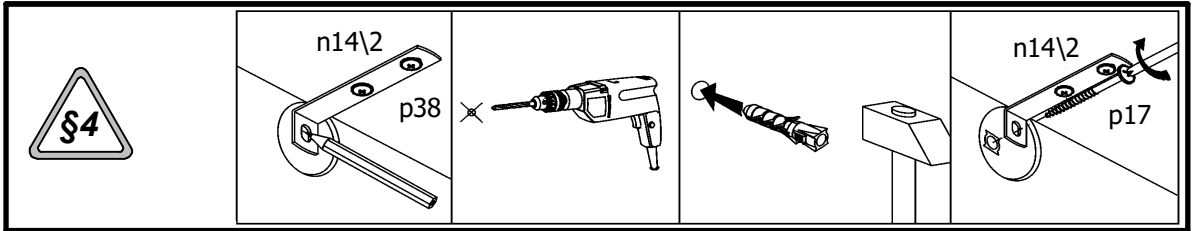
9x



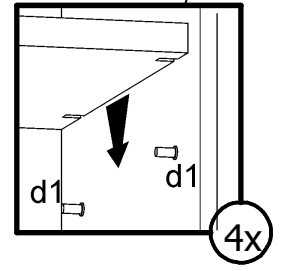
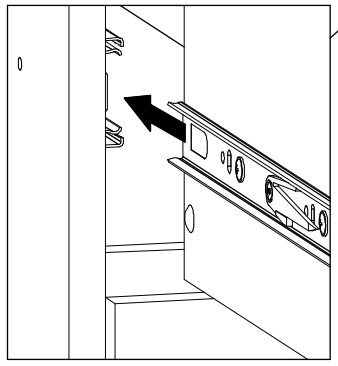
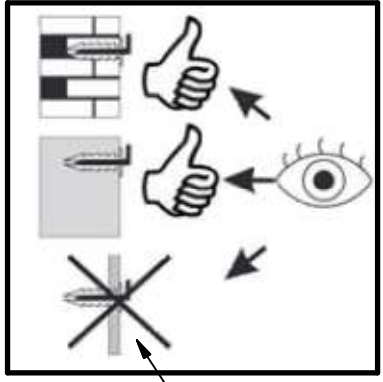
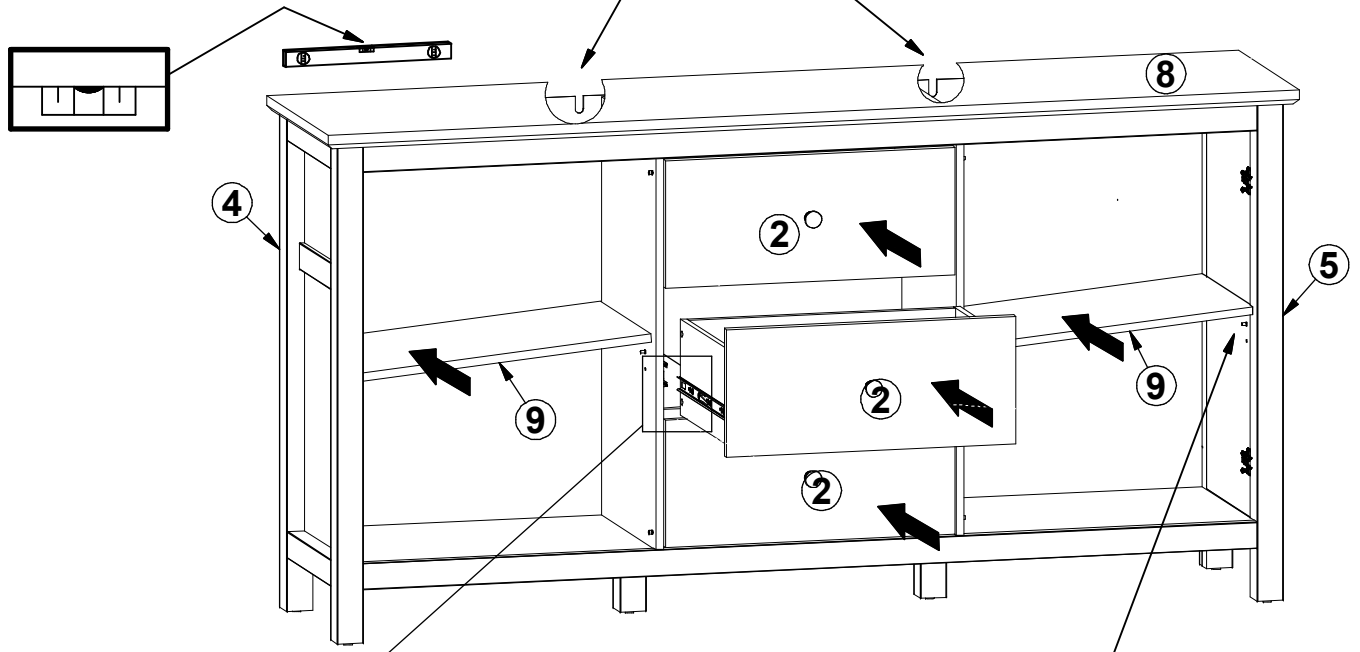




# 10



- 2x f35  
Ø10x50 mm
- 2x n14\2  
88x21x15/1.5
- 2x p17  
Ø5x60 mm
- 4x p38  
Ø3.5x16 mm



# 11

