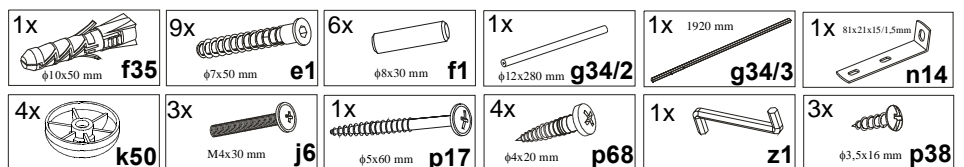
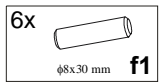
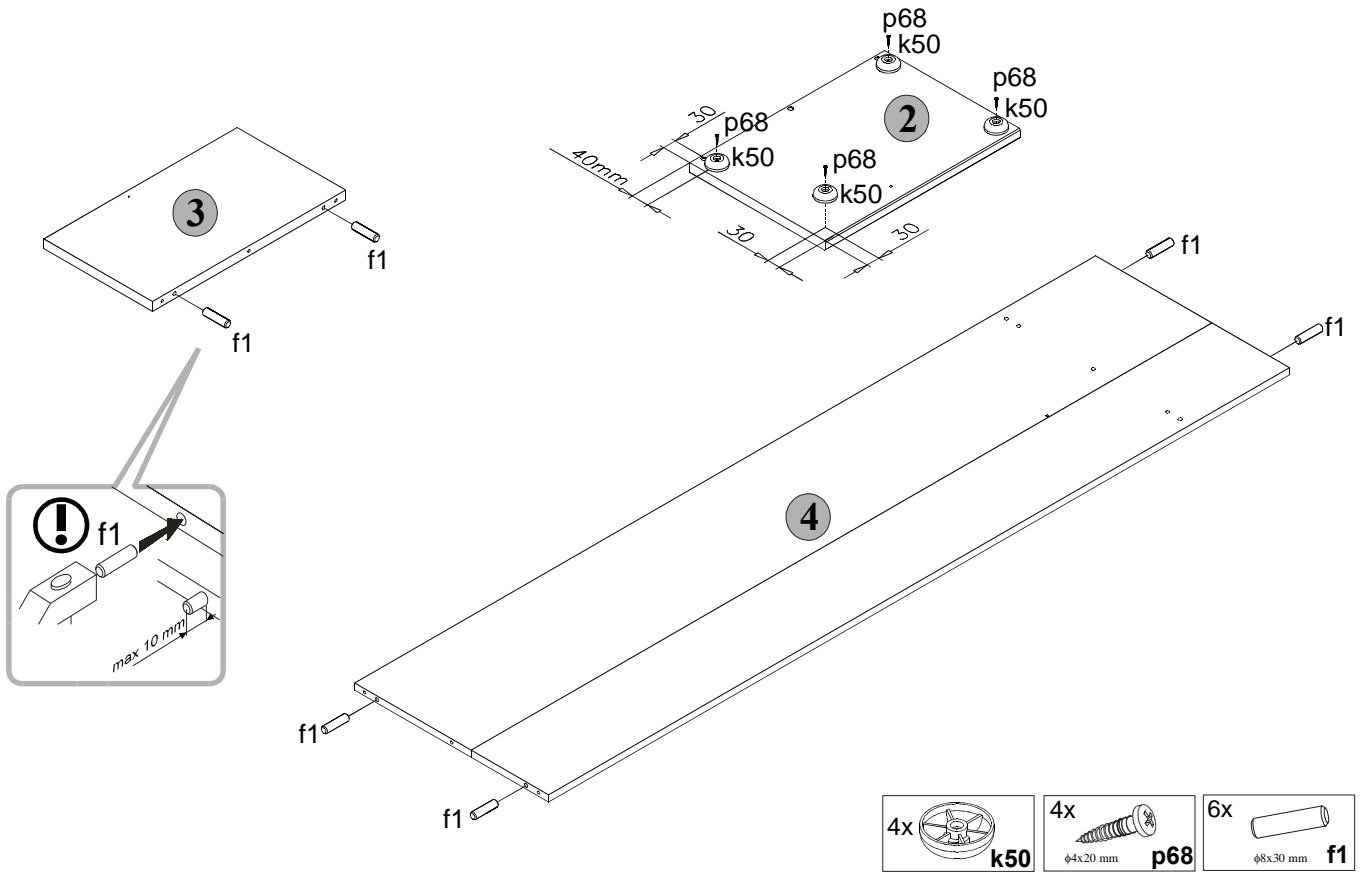


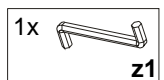
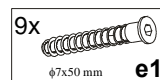
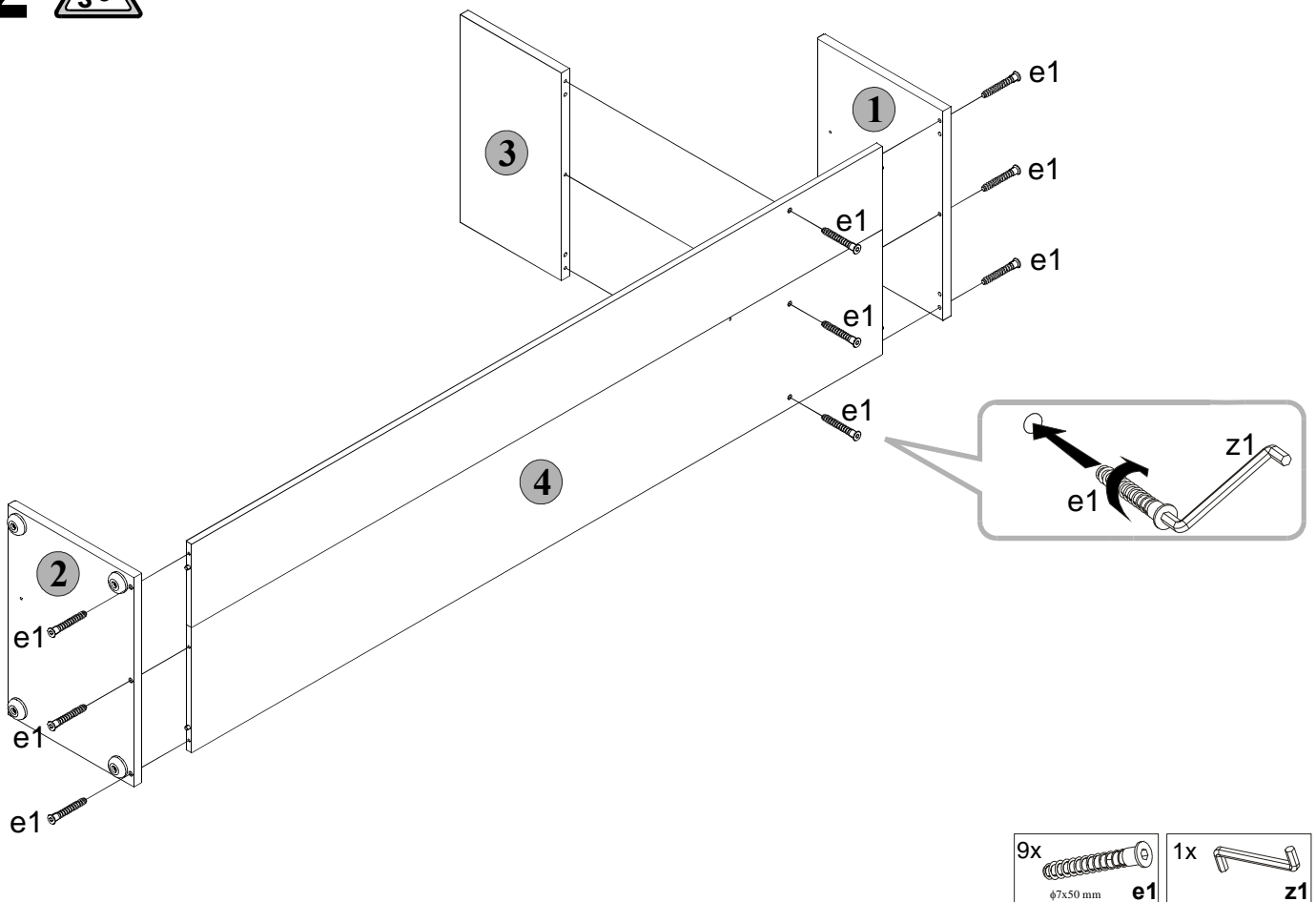
A	B	C	D
1	502x350	S19-3309	3/4
2	502x350	S19-3310	3/4
3	498x280	S19-3311	3/4
4	1920x500	S19-5513	3/4



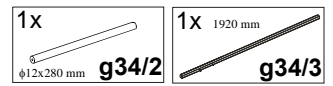
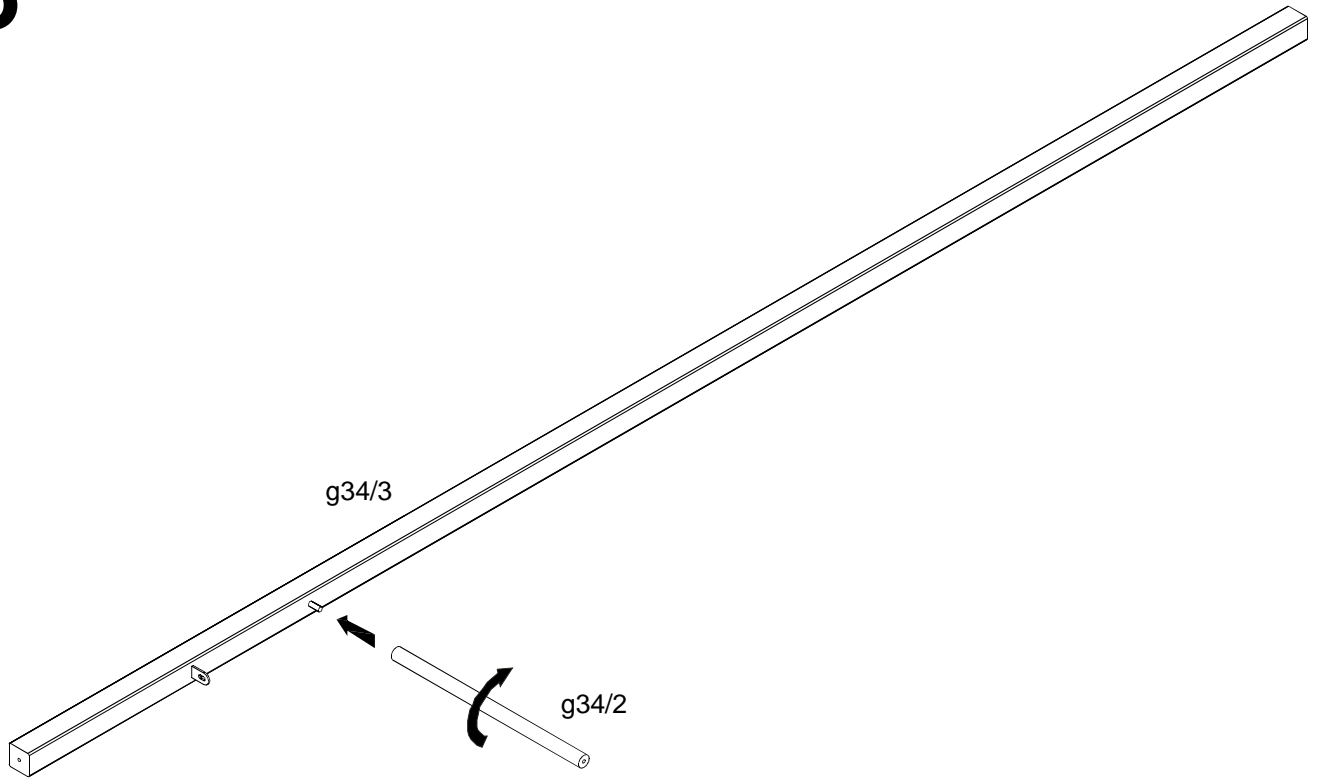
# 1



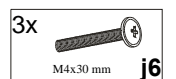
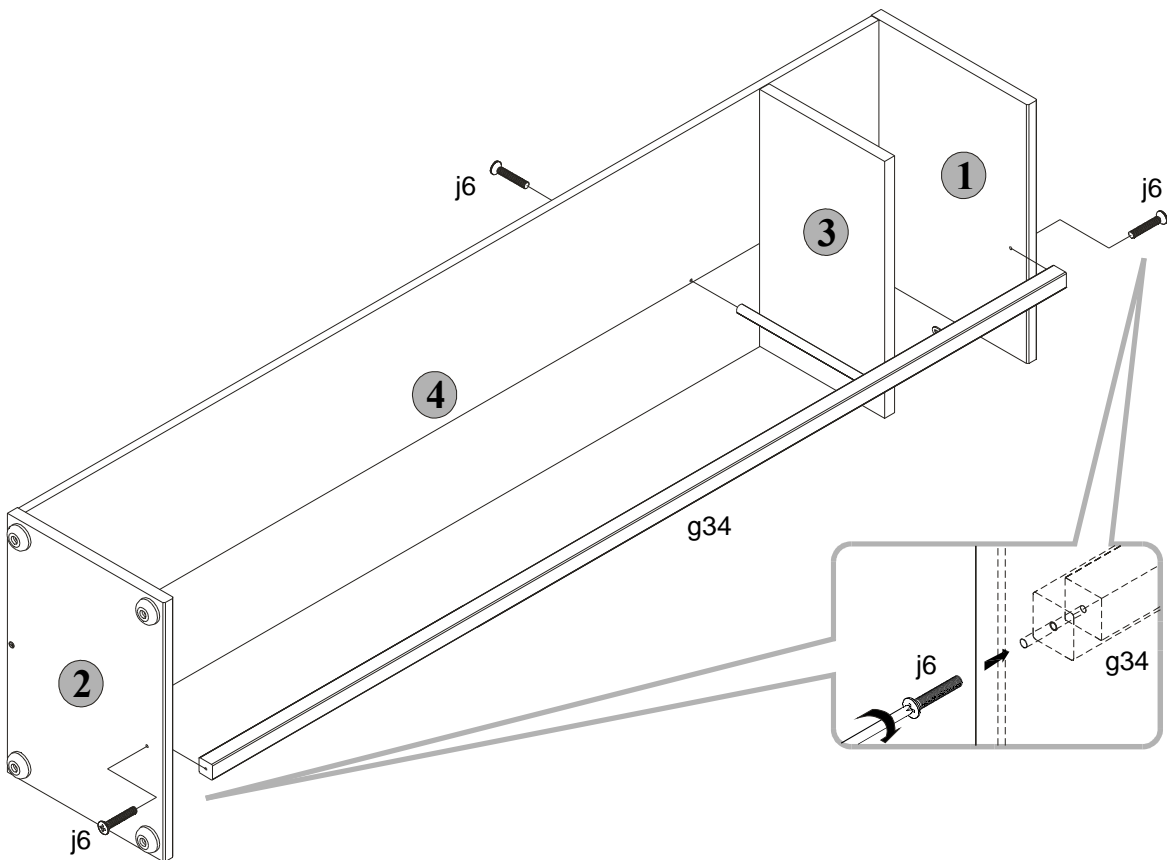
# 2



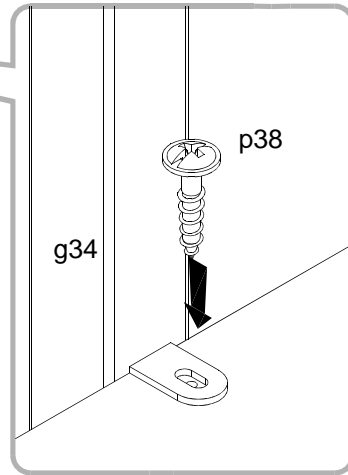
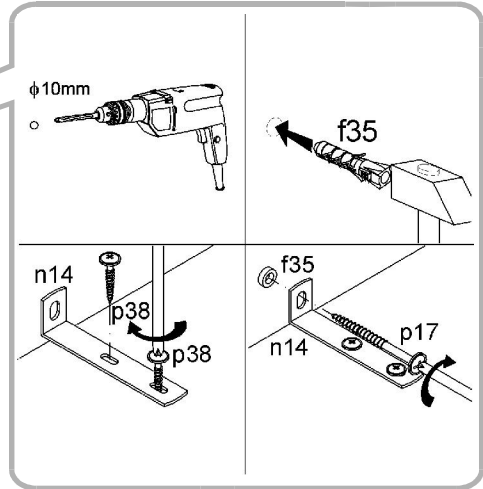
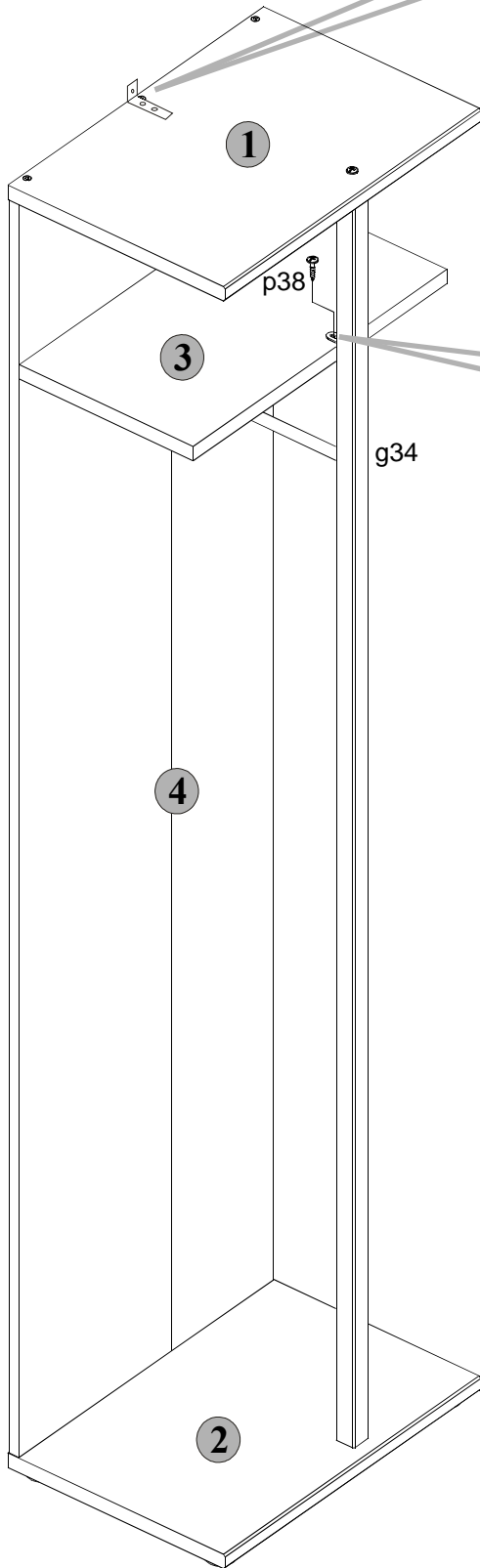
# 3



# 4



# 5



- |                               |                                |                                     |                                 |
|-------------------------------|--------------------------------|-------------------------------------|---------------------------------|
| 1x<br><br>φ5x60 mm <b>p17</b> | 1x<br><br>φ10x50 mm <b>f35</b> | 1x<br><br>81x21x15/1,5mm <b>n14</b> | 3x<br><br>φ3,5x16 mm <b>p38</b> |
|-------------------------------|--------------------------------|-------------------------------------|---------------------------------|