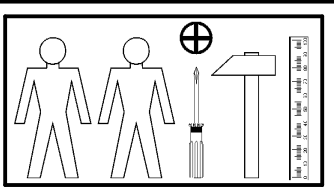
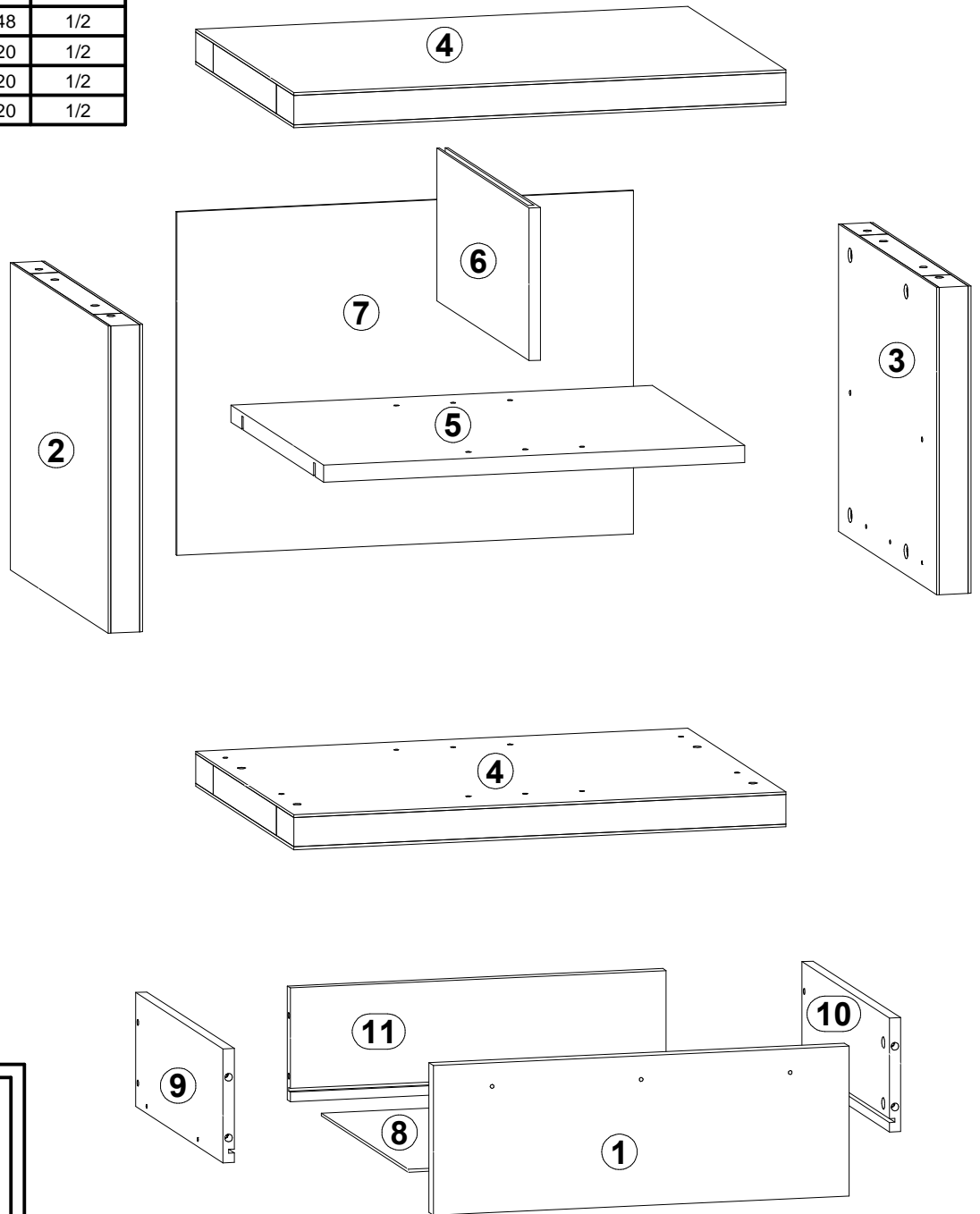
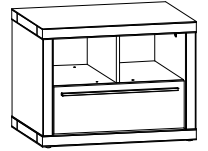
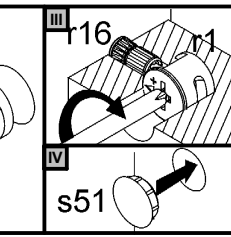
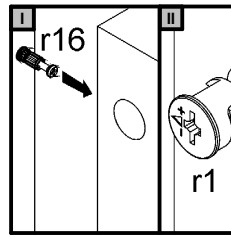
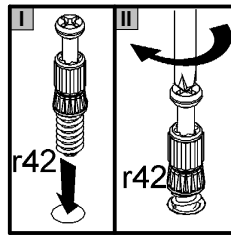
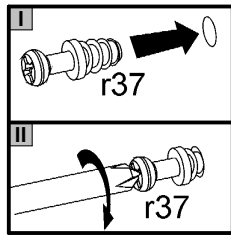
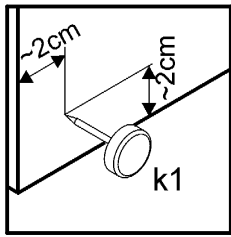
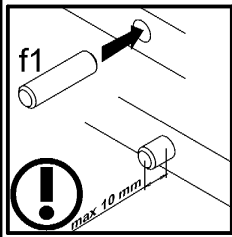
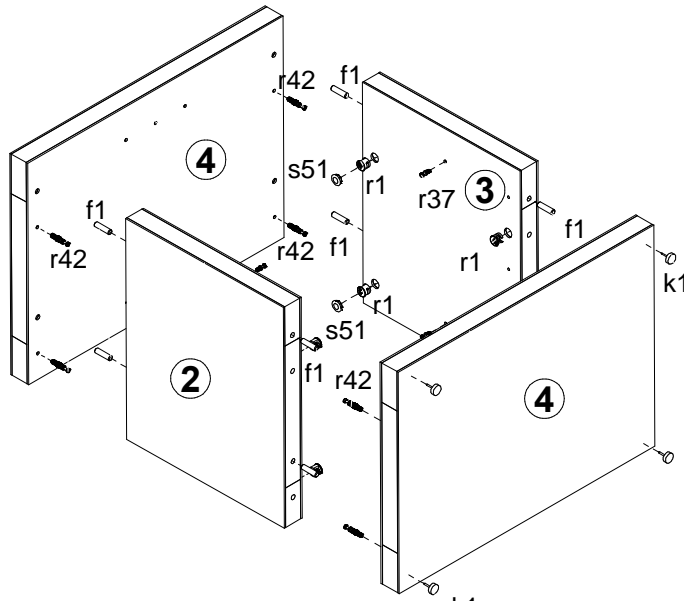


A	B	C	D	
1	S68-011	158	446	2/2
2	S68-113	324	392	1/2
3	S68-114	324	392	1/2
4	S68-206	528	393	1/2
5	S68-411	452	371	1/2
6	S68-412	161	370	1/2
7	S68-904	490	362	1/2
8	S68-905	414	348	1/2
9	ZS1-529	350	120	1/2
10	ZS1-530	350	120	1/2
11	ZS1-6510	403	120	1/2

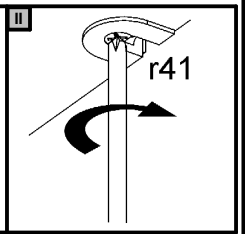
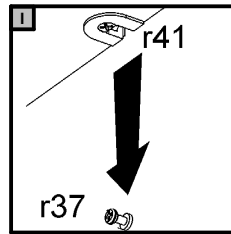
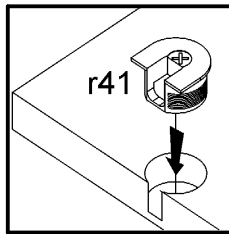
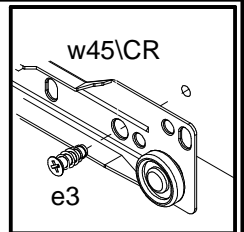
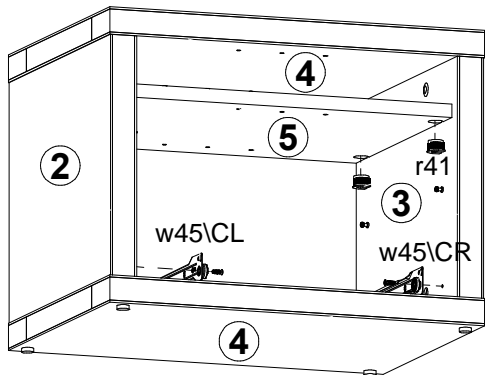


1x 356mm <b>c223\5</b>	4x φ5x9 mm <b>e19</b>	6x φ6x13 mm <b>e3</b>	8x φ8x30 mm <b>f1</b>	4x φ6.5x40 mm <b>f25</b>	4x <b>k1</b>	20x <b>l1</b>	2x φ5x293 mm <b>m31</b>	3x φ3x26 mm <b>p97</b>
8x φ15x12mm #16 <b>r1</b>	4x φ12x10.5mm #12 <b>r15</b>	12x <b>r42</b>	4x 6.7x8 <b>r37</b>	4x φ20x13.5mm #19 <b>r41</b>	4x ø15 <b>s51</b>	1x 350 mm <b>w45\CL</b>	1x 350 mm <b>w45\CR</b>	1x 350 mm <b>w45\DL</b>
1x 350 mm <b>w45\DR</b>								

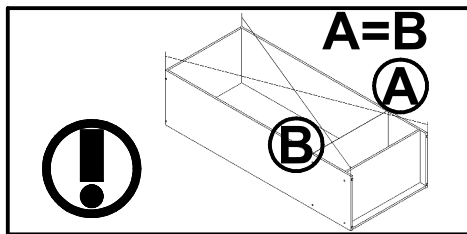
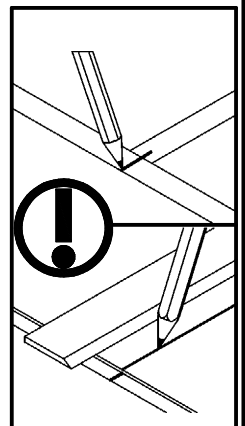
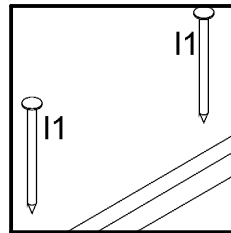
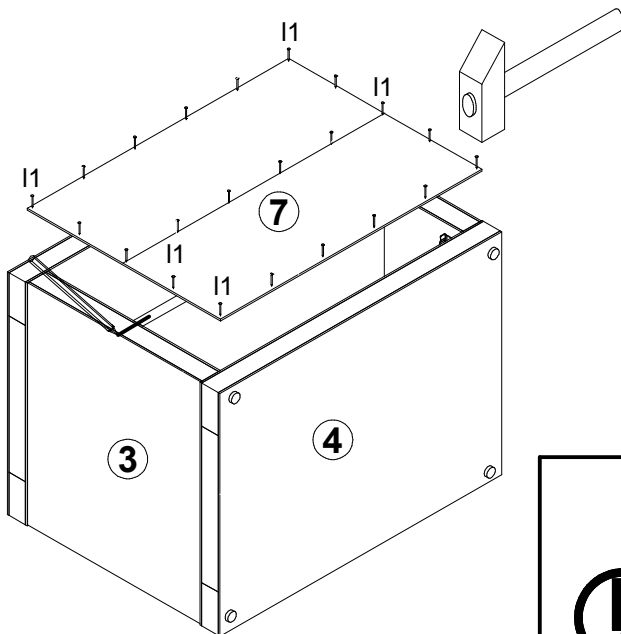
# 1



# 2

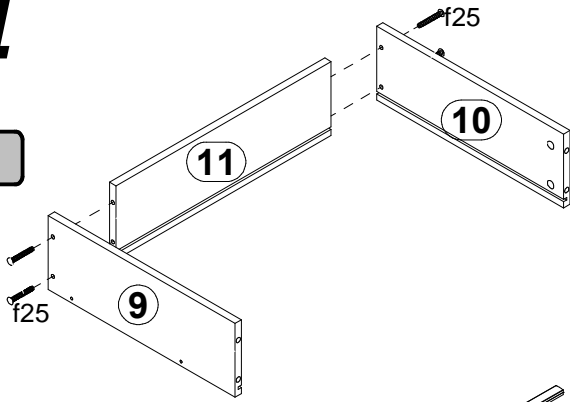


# 3

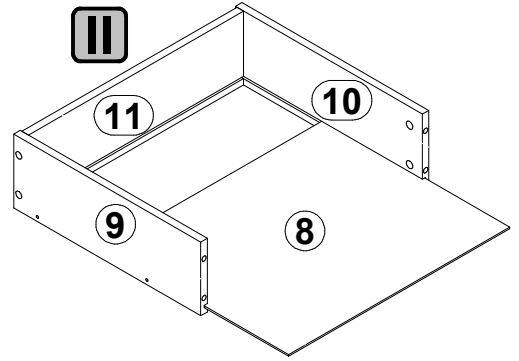


# 4

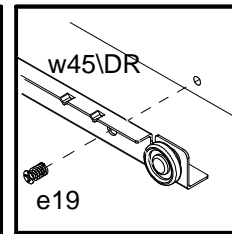
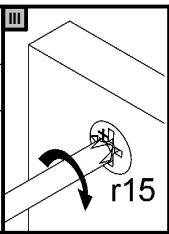
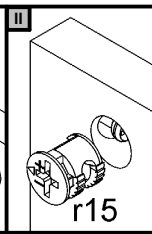
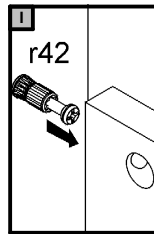
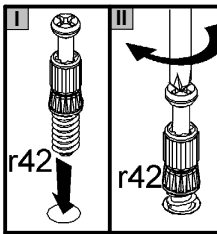
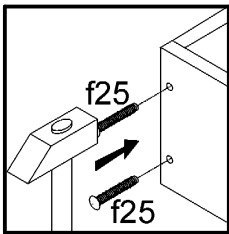
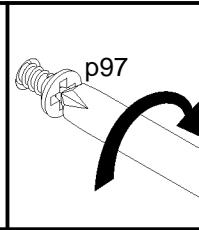
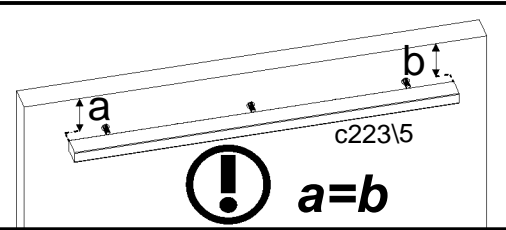
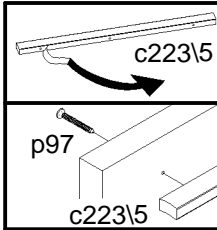
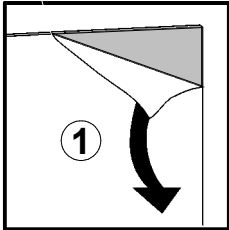
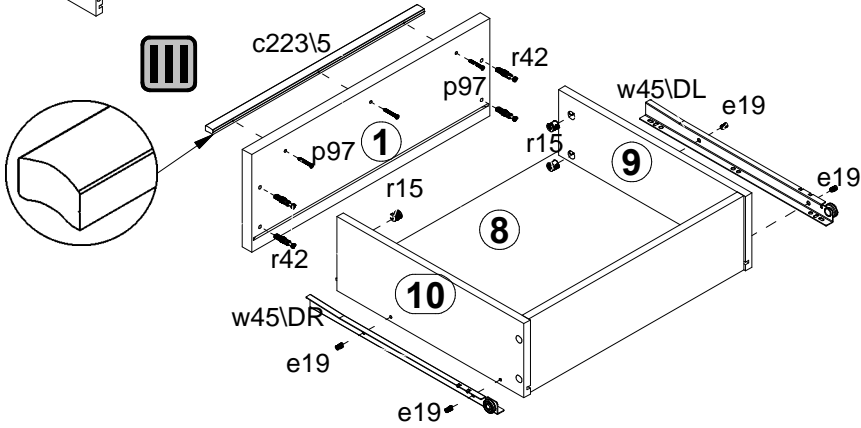
I



II



III



# 5

