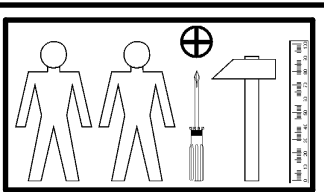
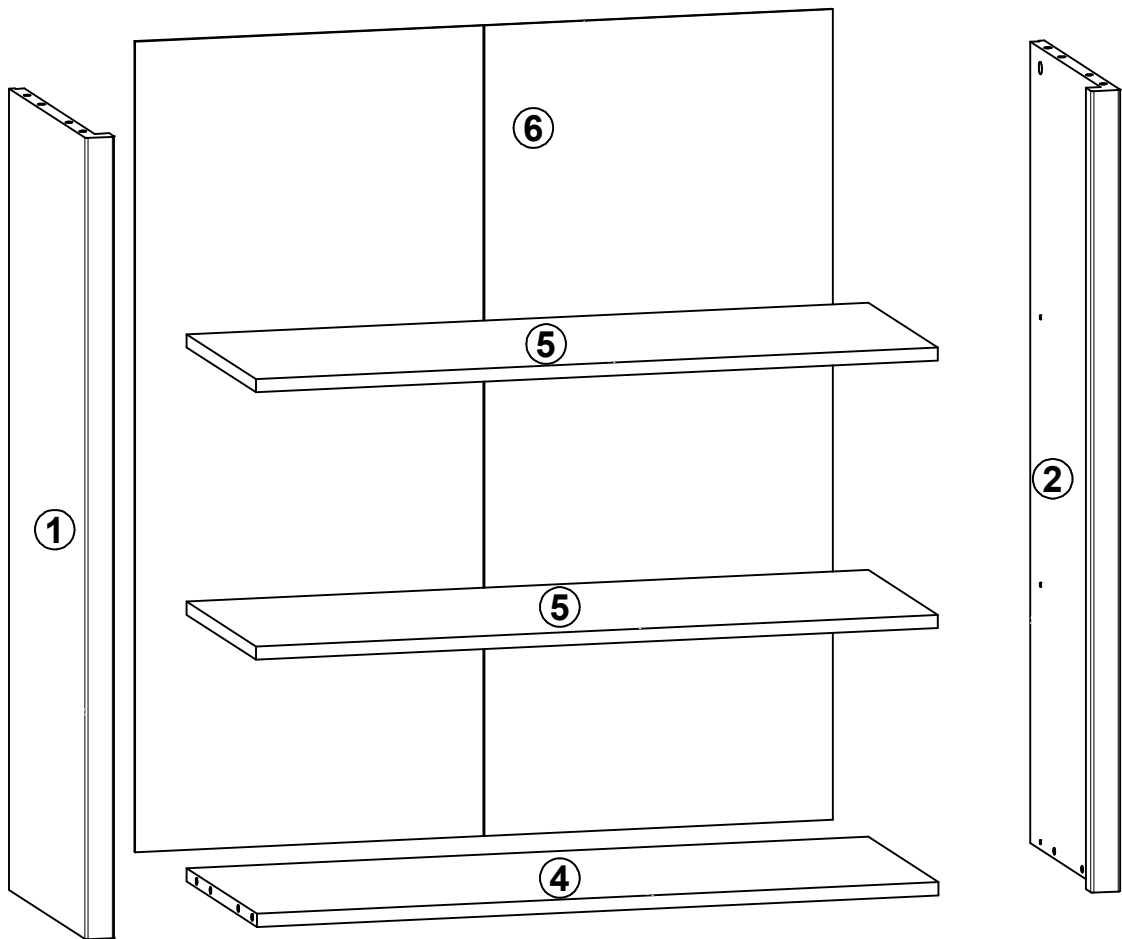
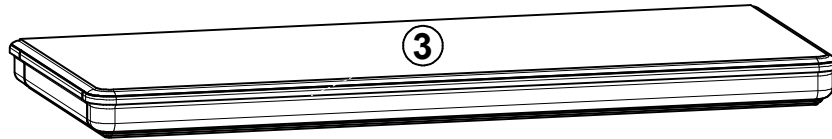
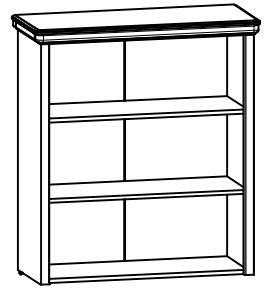


CHARLOTTA

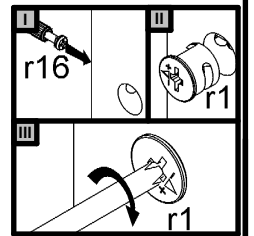
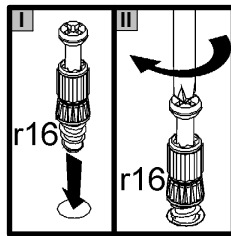
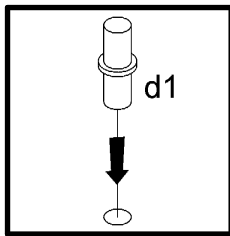
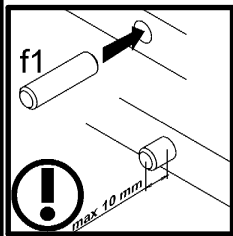
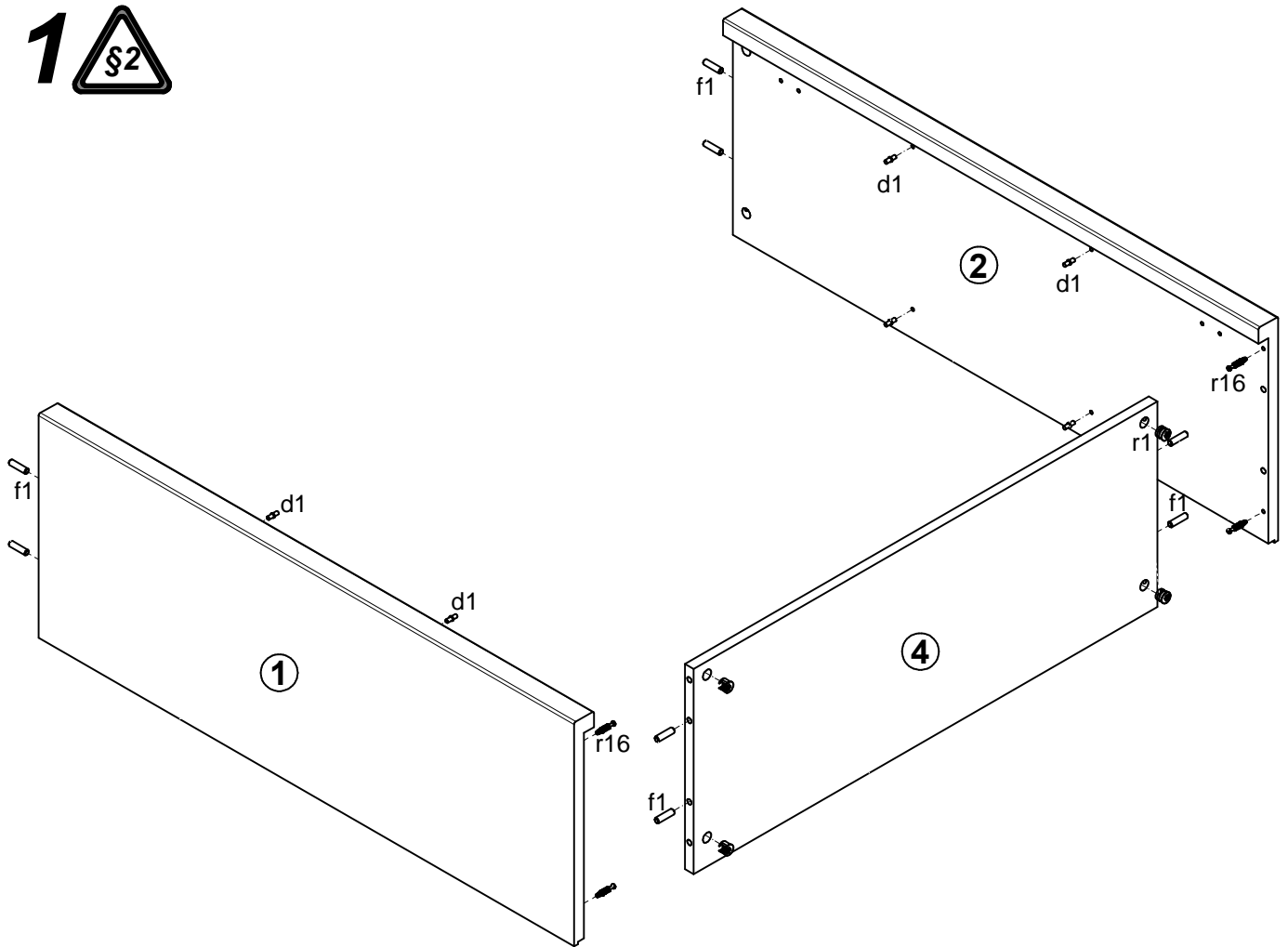
S96-NAD2W/10/9

A	B	C	D	
1	S96-126	971	352	2/3
2	S96-127	971	352	2/3
3	S96-216	927	378	1/3
4	S96-310	841	323	2/3
5	S96-313	841	319	2/3
6	S96-9905	982	861	3/3

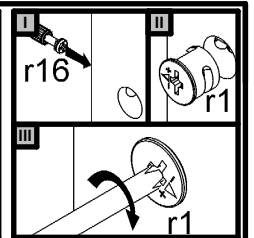
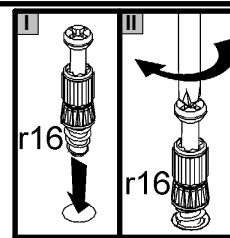
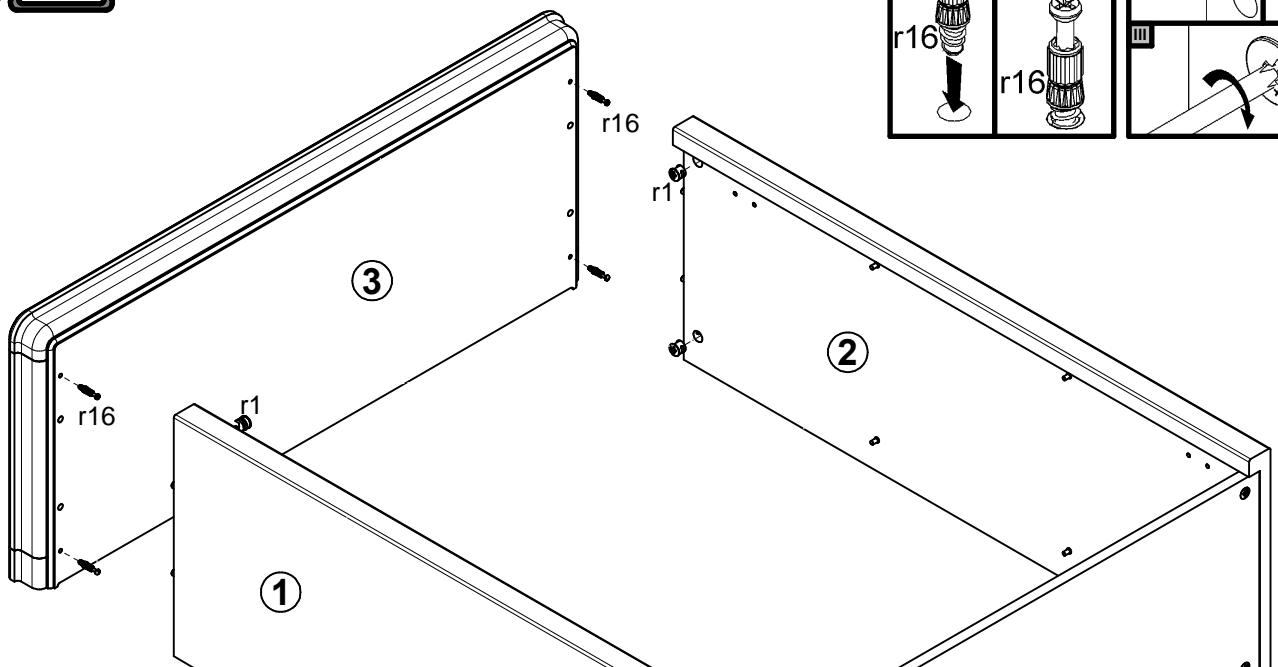


8x φ5x17 mm d1	8x φ8x30 mm f1	40x l1	2x 62x12/1mm n52	6x φ3,5x16 mm p25	8x φ1,5x12mm #16 r1	8x r16	4x ø16 s2	1x n26\1
1x φ3,5x16 mm p38								

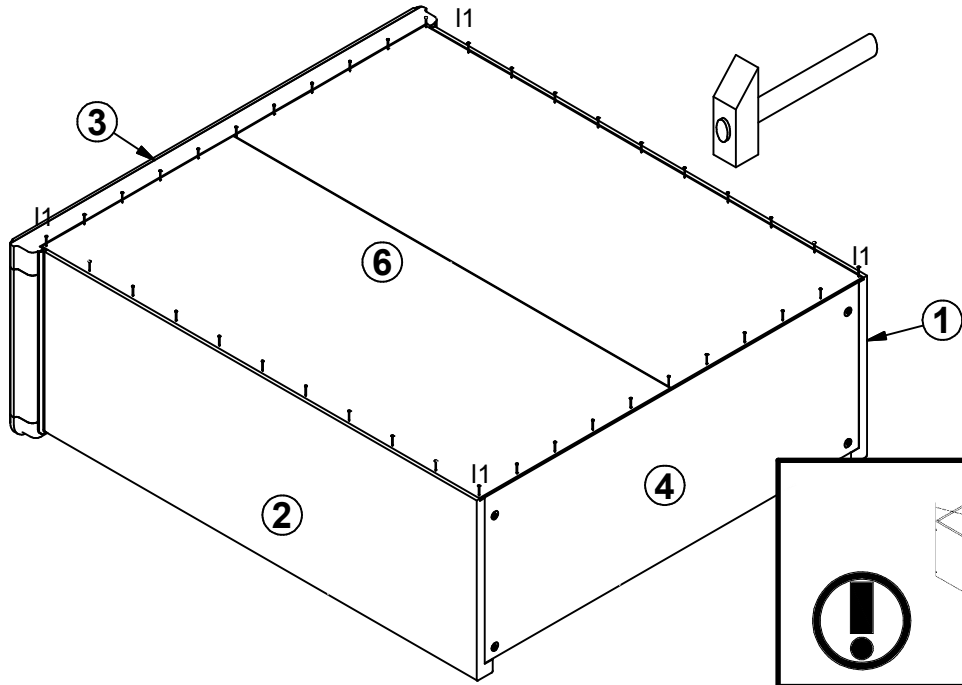
1



2



3



4

