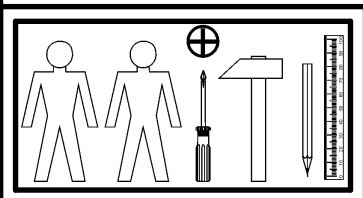
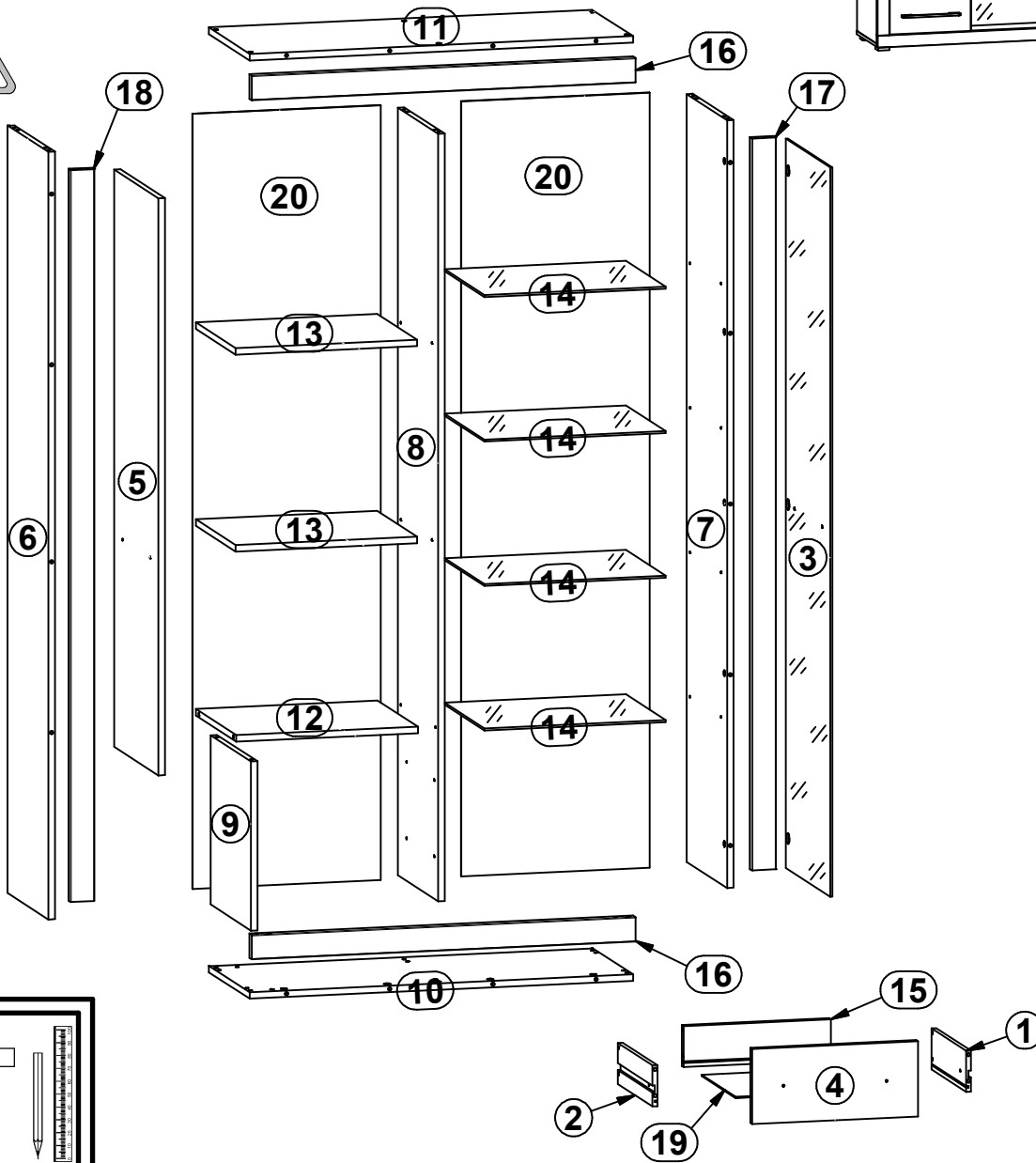
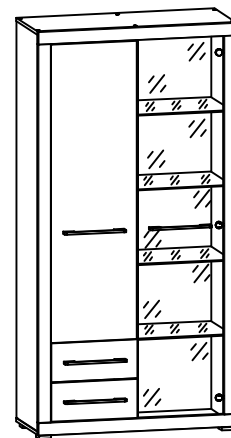
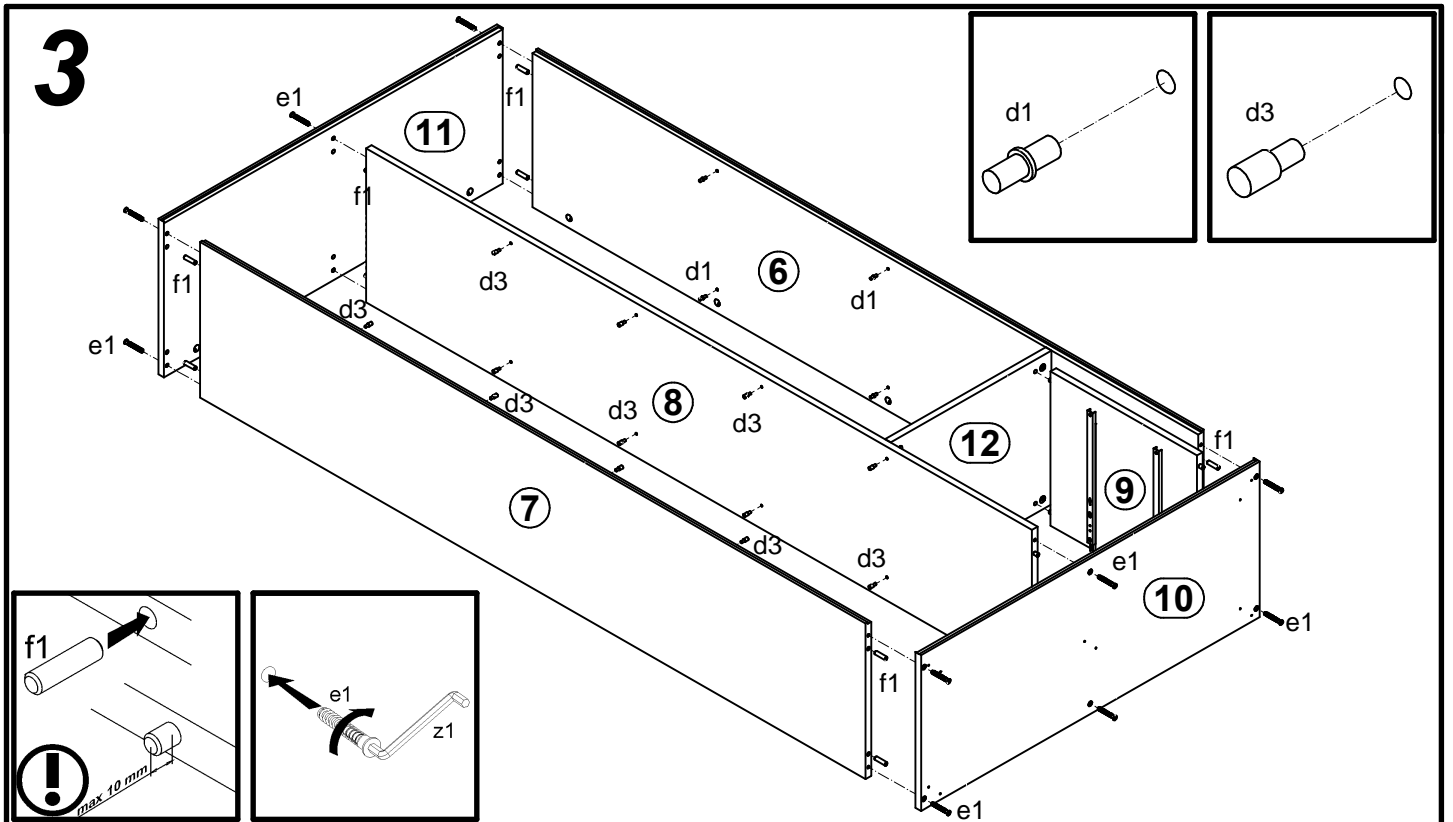
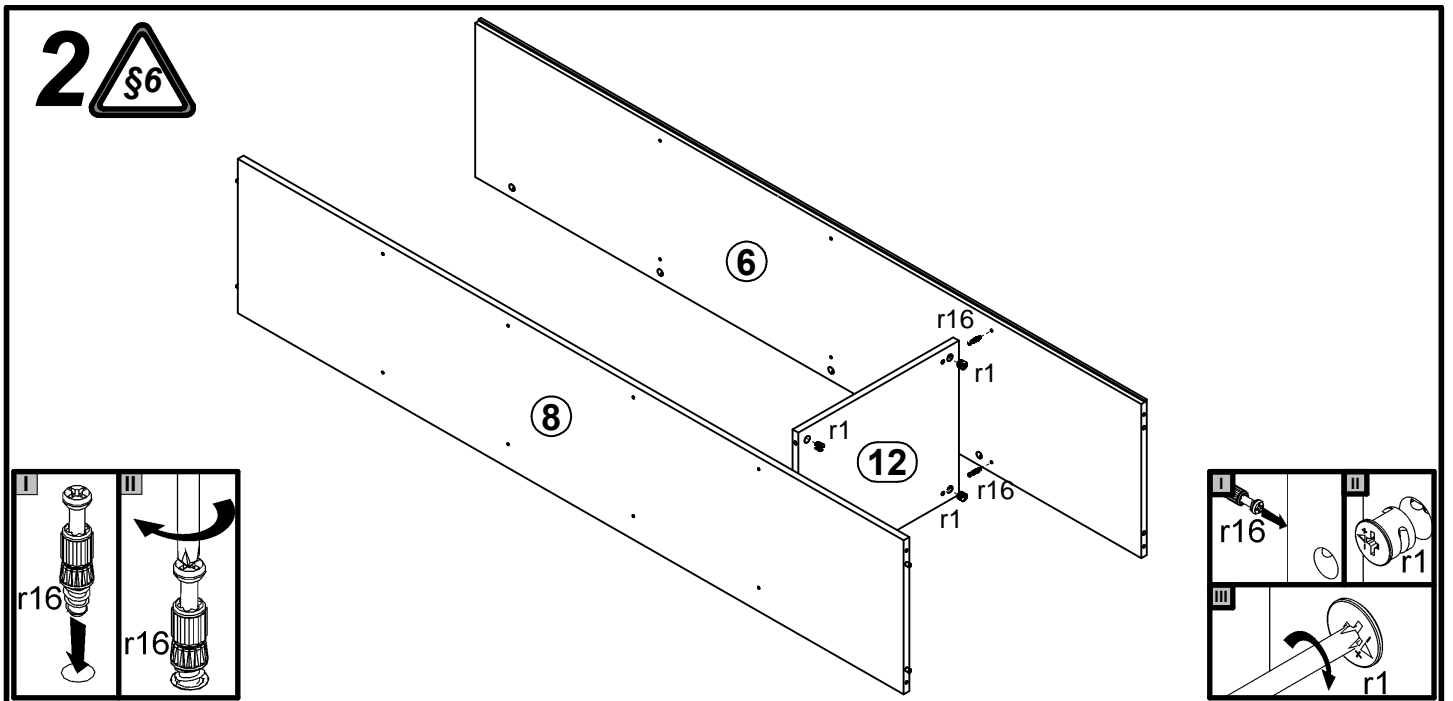
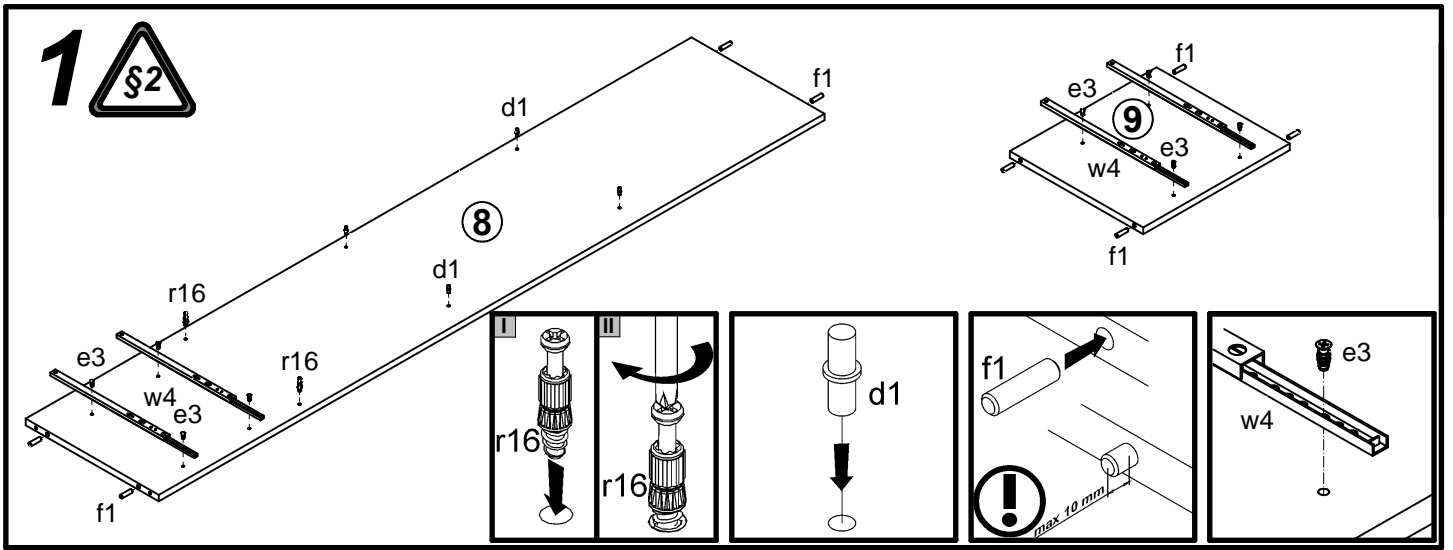
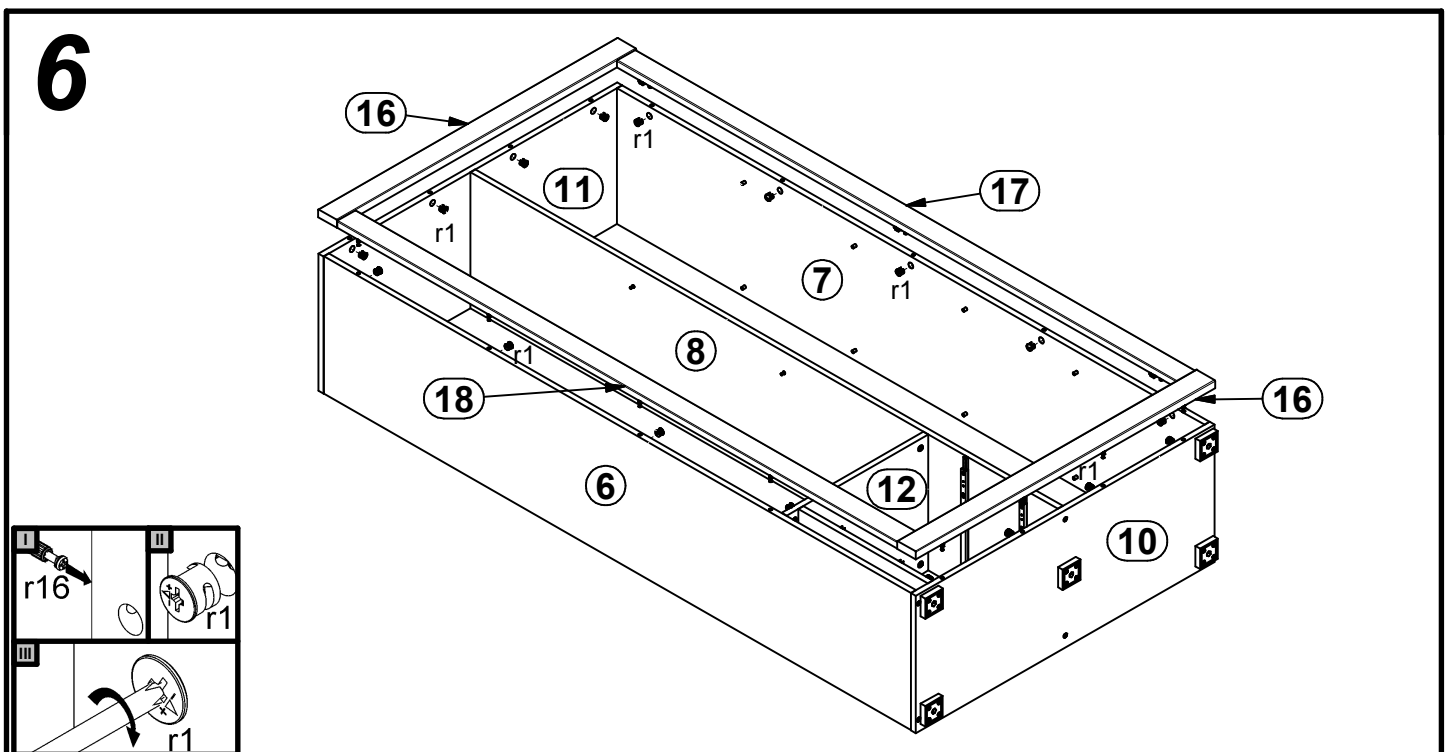
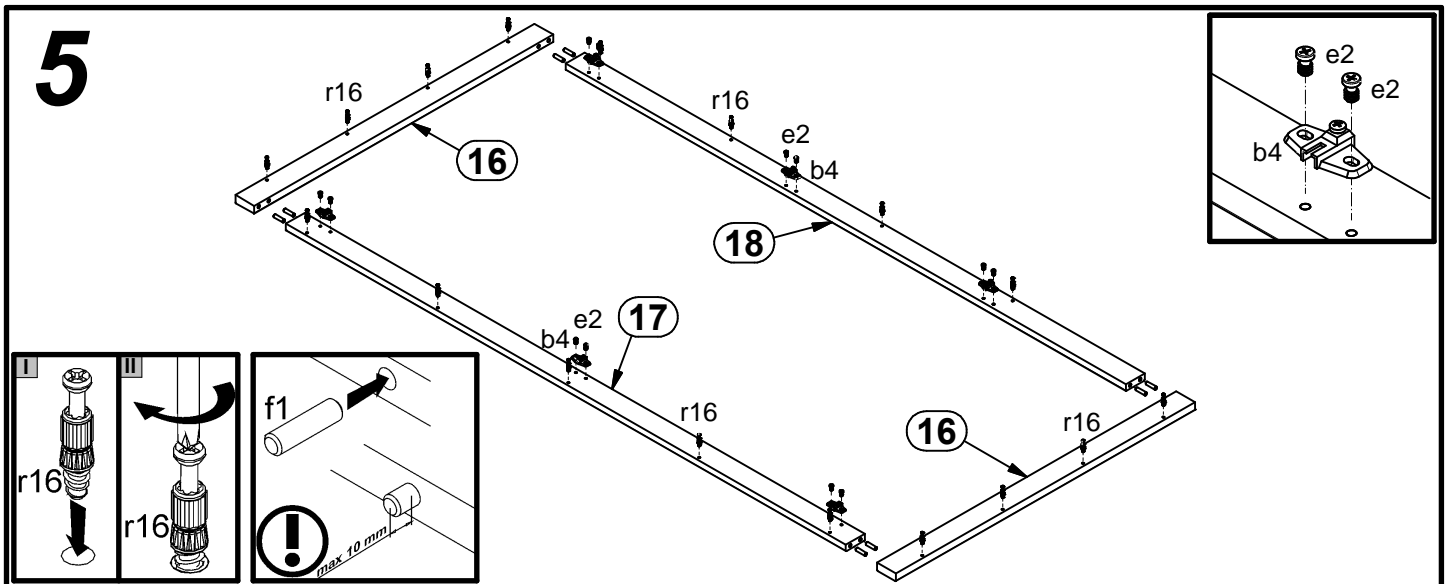
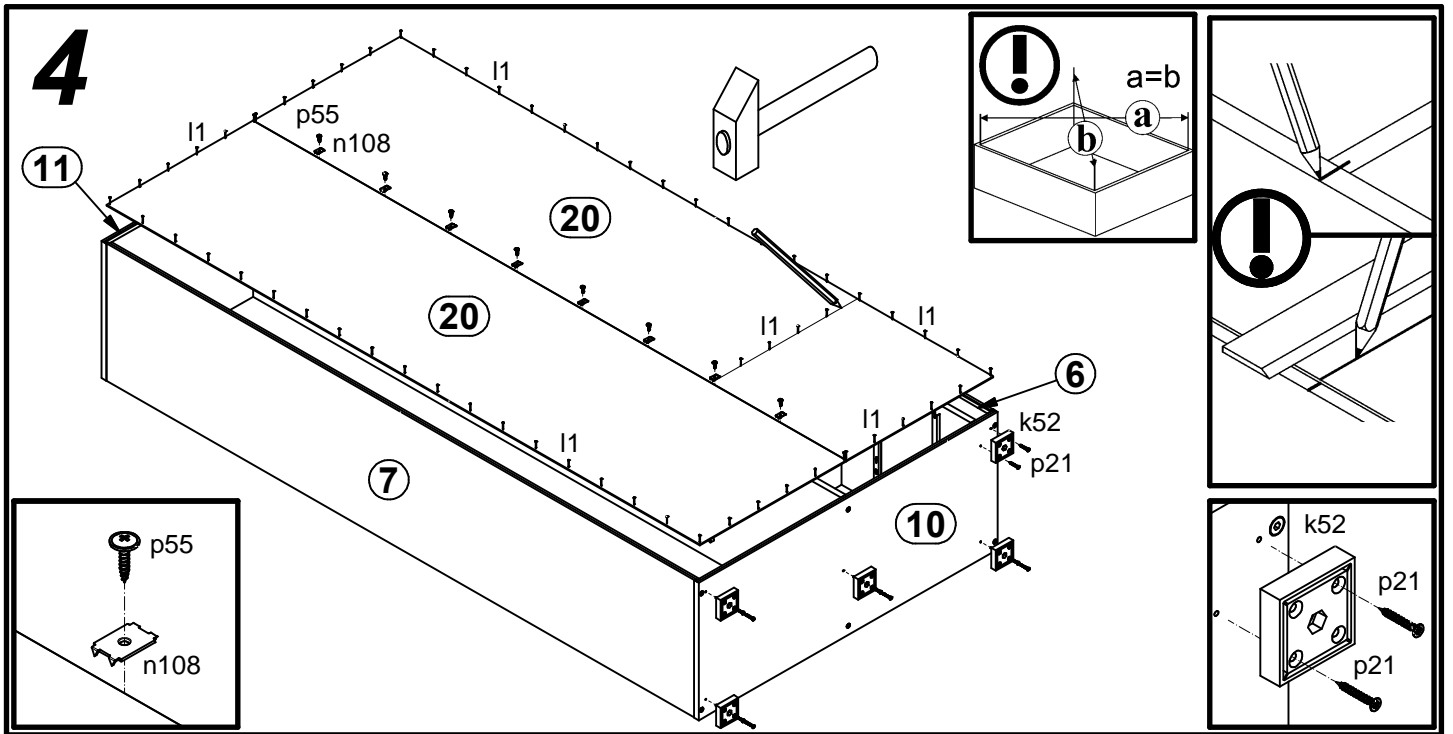


A	B	C	D	A	B	C	D		
1	MZ1-522	320	100	2/2	11	S19-2014	951	378	2/2
2	MZ1-523	320	100	2/2	12	S19-3352	451	374	2/2
3	S19-0121	1777	412	1/2	13	S19-3353	450	369	2/2
4	S19-0126	412	183	2/2	14	S19-3354	450	369	2/2
5	S19-0128	1406	412	2/2	15	S19-5516	366	100	2/2
6	S19-1212	1870	378	1/2	16	S19-749	952	60	2/2
7	S19-1213	1870	378	1/2	17	S19-760	1783	60	1/2
8	S19-1214	1870	374	1/2	18	S19-763	1783	60	1/2
9	S19-1215	412	374	2/2	19	S19-9940	315	376	2/2
10	S19-2013	951	378	2/2	20	S19-9952	1888	467	1/2

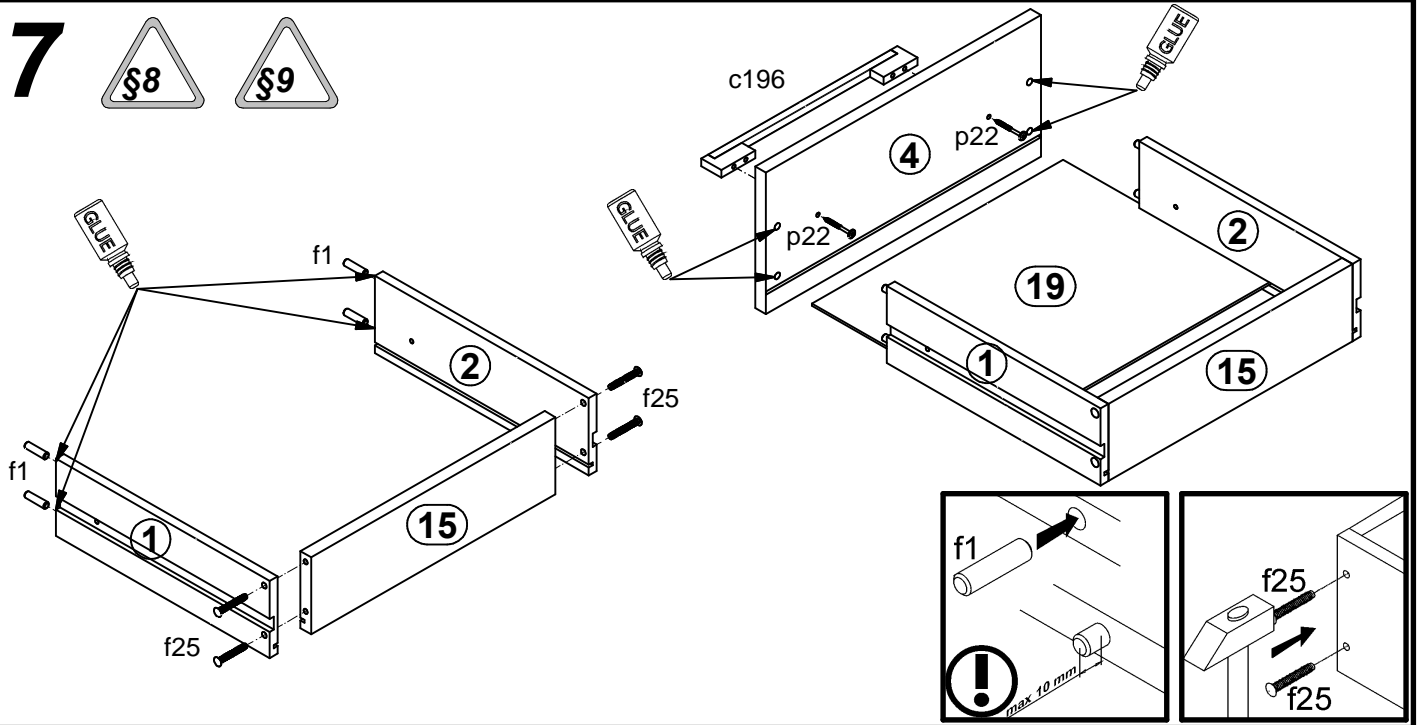


3x  a11	3x  a8211	3x  a8212	3x  a8214	6x  b4	4x  c196	8x  d1	16x  d3	12x  e1
12x  e2	14x  e3	32x  f1	8x  f25	4x  j2	5x  k52	45x  l1	8x  n108	2x  o27
6x  p101	10x  p21	6x  p22	8x  p55	2x  p113	22x  r1	22x  r16	16x  s2	4x  w4
1x  y1	1x  z1							





# 7



# 8

