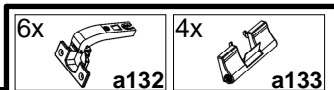
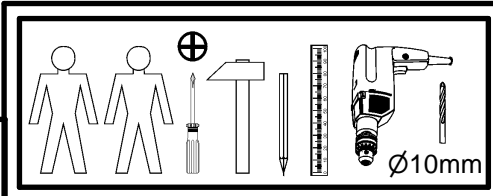
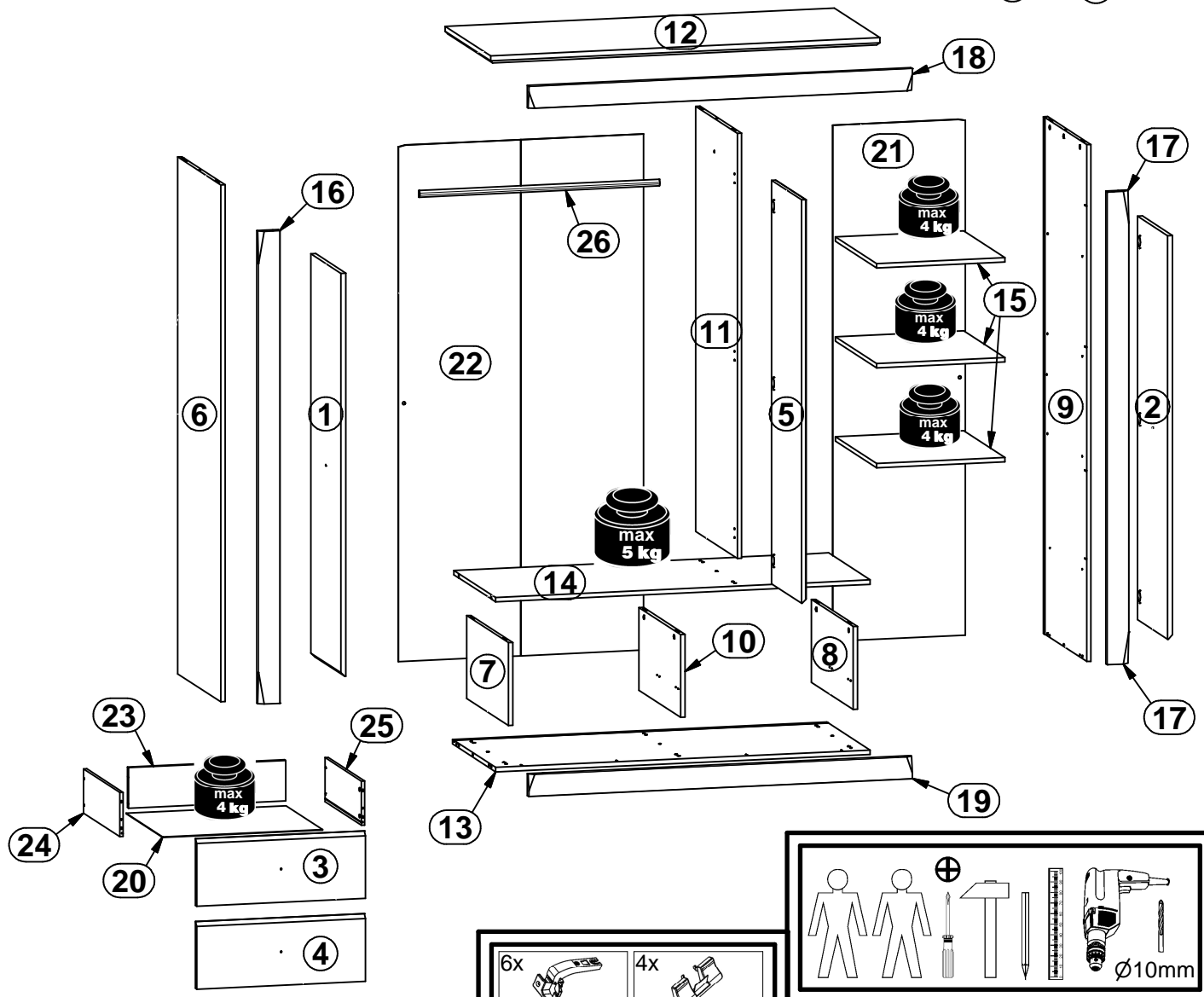
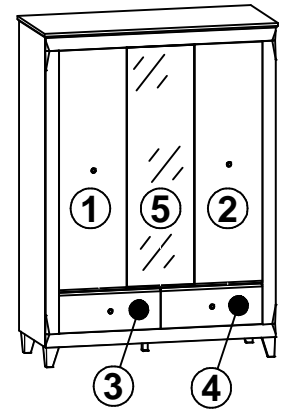


A

BERGEN

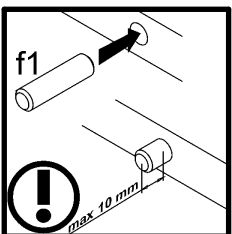
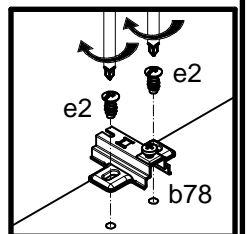
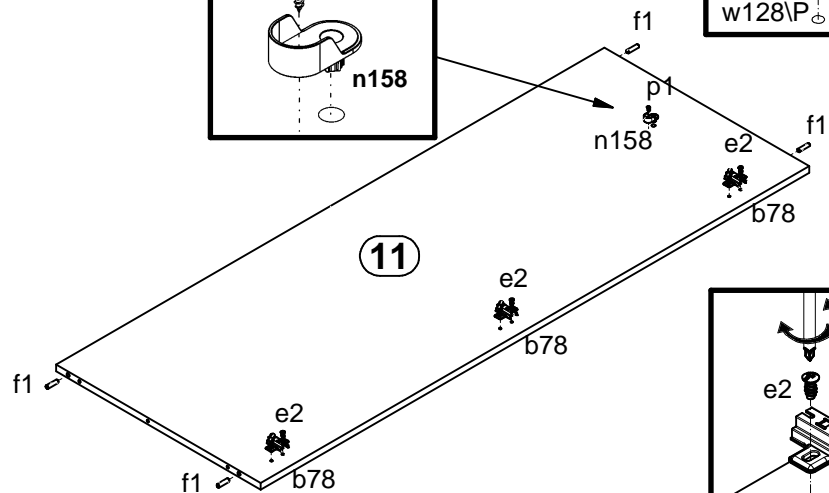
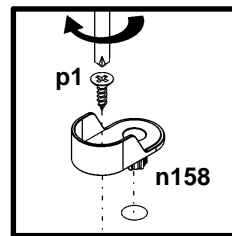
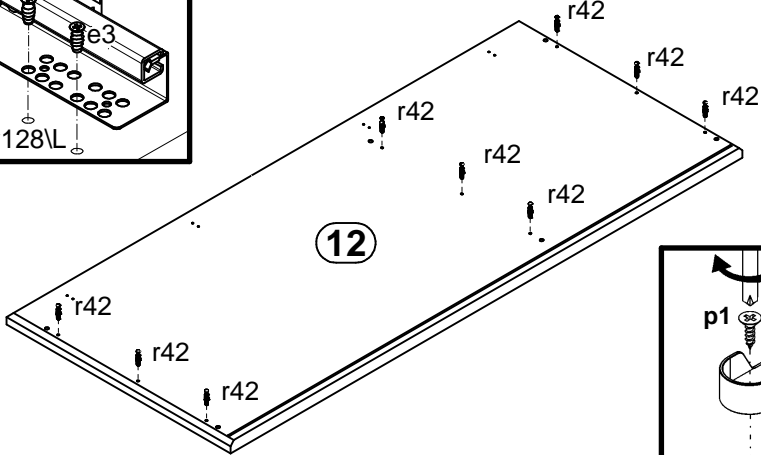
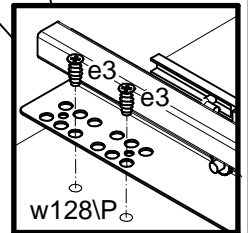
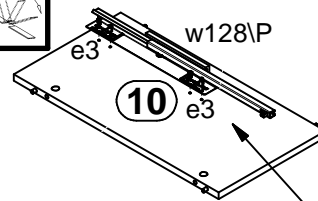
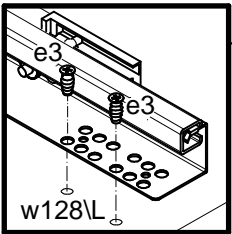
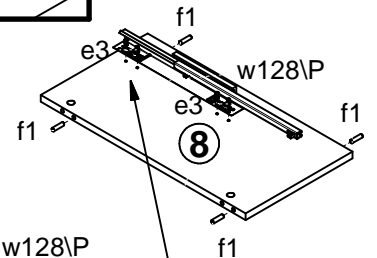
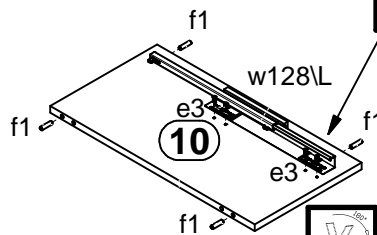
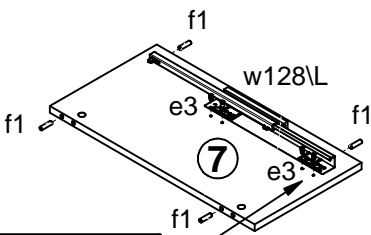
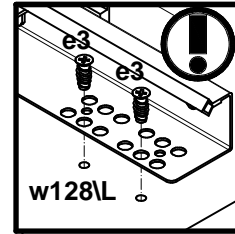
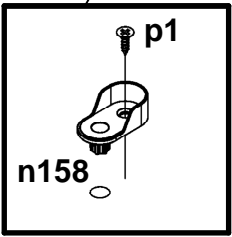
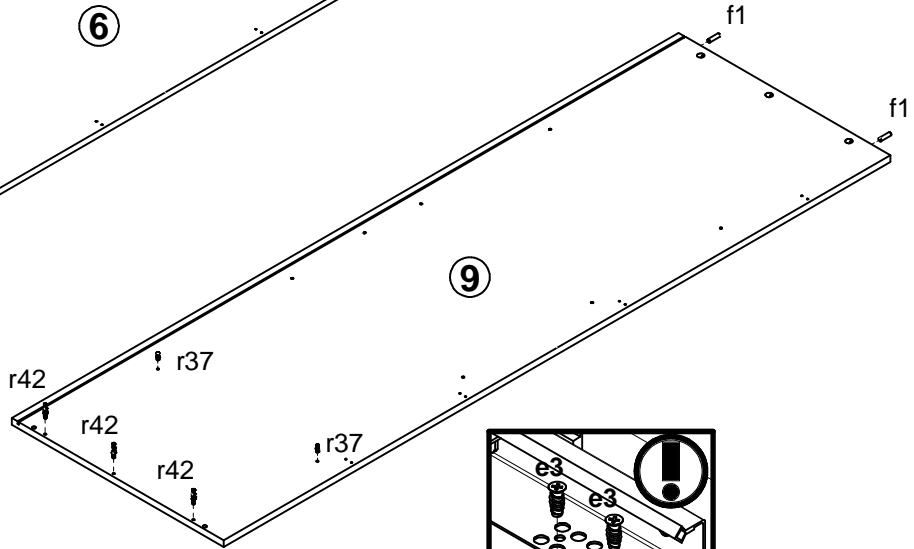
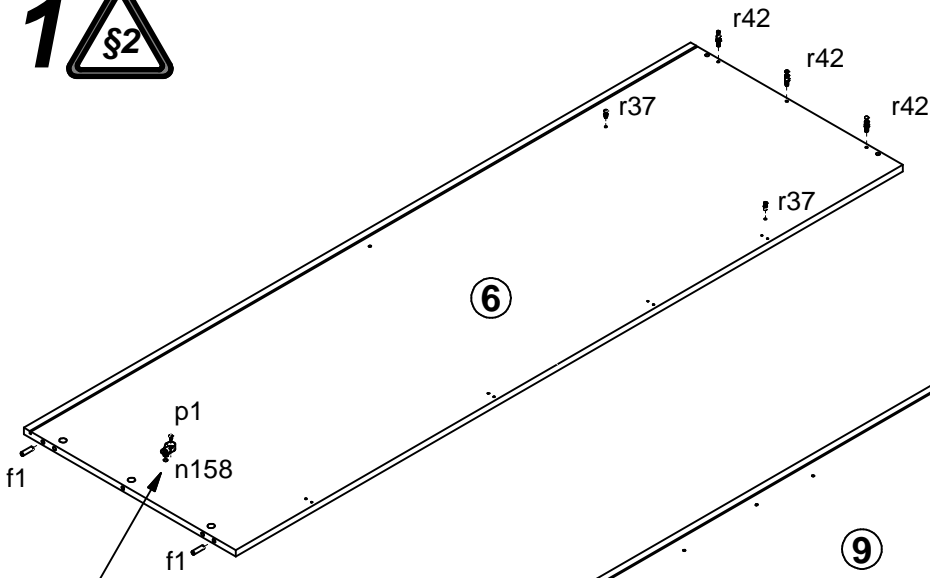
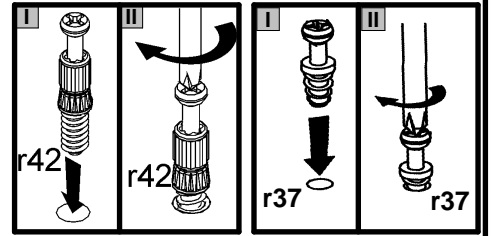
S359-SZF2D1M2S

A	B	C	D	A	B	C	D		
1	S359-0027	1461	415	5½	14	S359-3019	1384	575	2½
2	S359-0028	1461	415	5½	15	S359-3020	474	569	3½
3	S359-0029	624	242	5½	16	S359-5028	1712	80	4½
4	S359-0030	624	242	5½	17	S359-5029	1712	80	4½
5	S359-0031	1461	415	5½	18	S359-5030	1417	80	4½
6	S359-1034	1872	595	1½	19	S359-5031	1417	80	4½
7	S359-1036	300	575	3½	20	S359-9011	591	505	2½
8	S359-1037	300	575	3½	21	S359-9012	1869	489	1½
9	S359-1038	1872	595	1½	22	S359-9308	1869	905	1½
10	S359-1039	300	575	1½	23	ZQ2-1517	581	147	3½
11	S359-1040	1540	575	1½	24	ZQ3-521	500	160	3½
12	S359-2014	1438	628	2½	25	ZQ3-522	500	160	3½
13	S359-3018	1384	595	2½	26	dr-887	887	22	2½

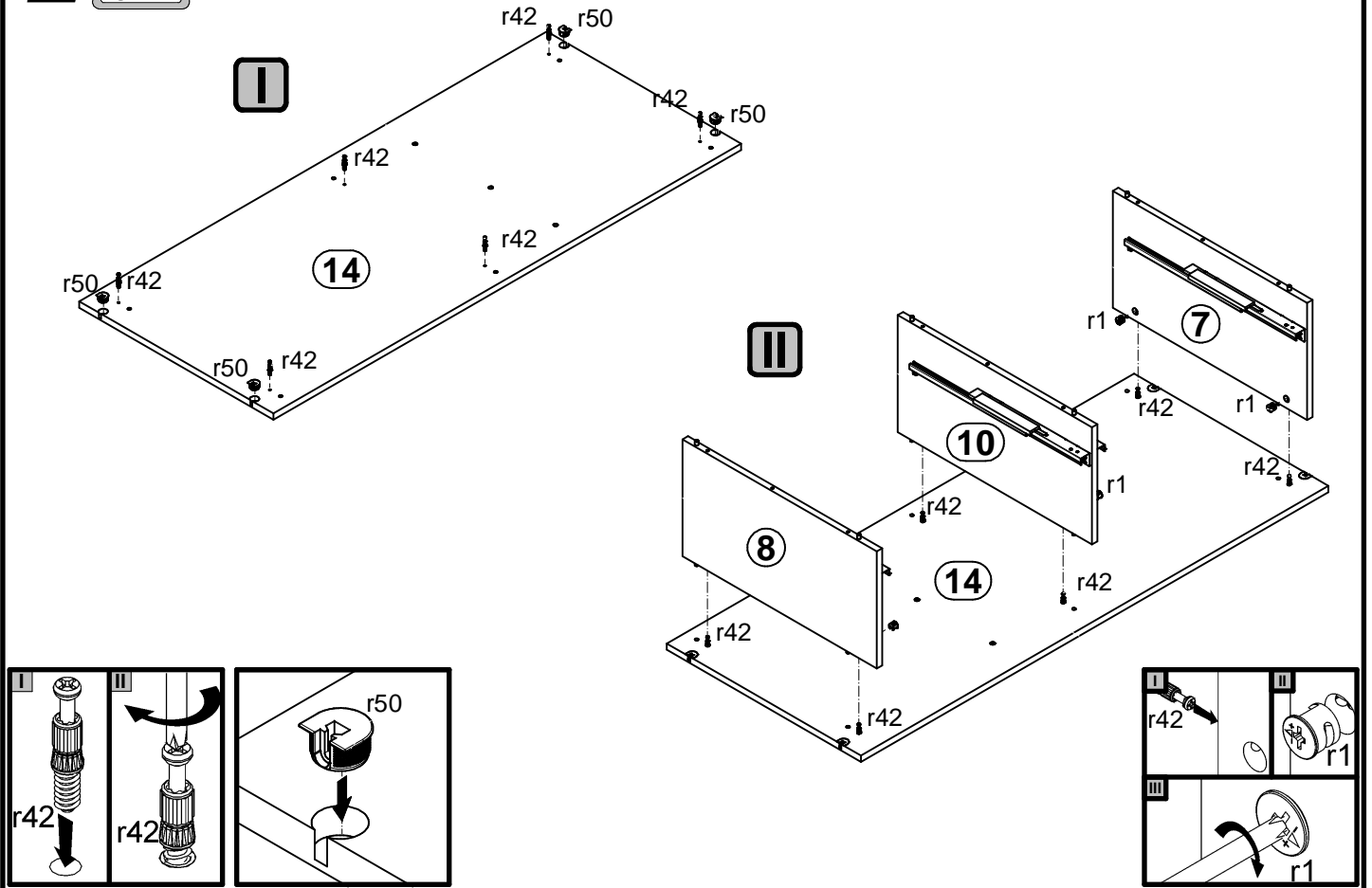


3x a159	6x b43	3x b78	4x c415	12x d1	2x d20	16x d37	12x e1	19x e2
16x e3	2x e50	12x e58	32x f1	4x f9	8x f25	4x j30	4x k125	1x k3813
1x k3817	16x l2	5x n108	2x n158	2x p1	79x p38	18x p51	5x p55	21x r1
8x r15	4x r37	29x r42	4x r50	2x w128L	2x w128P	1x z1	1x n261	10x s68

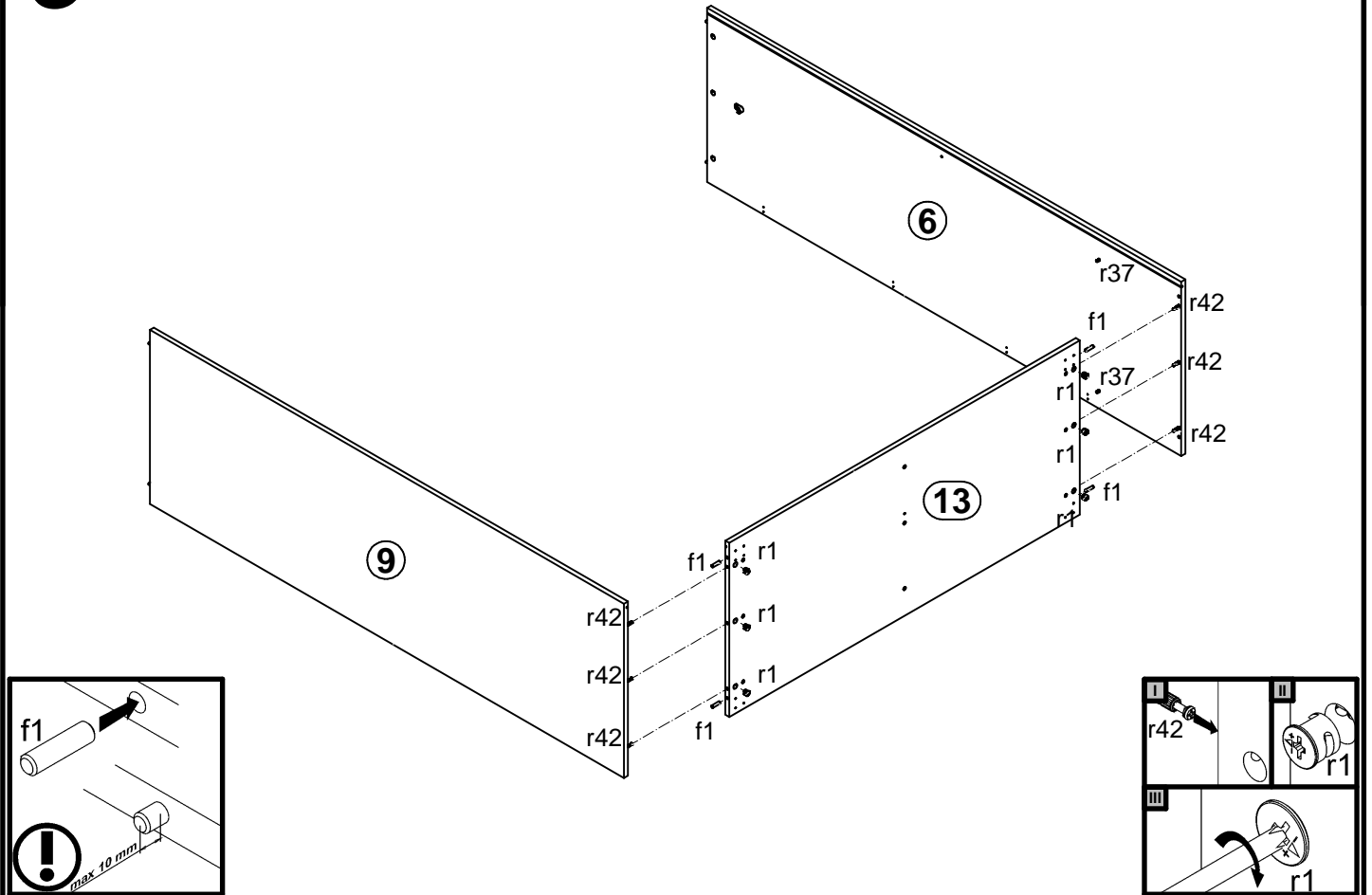
1 

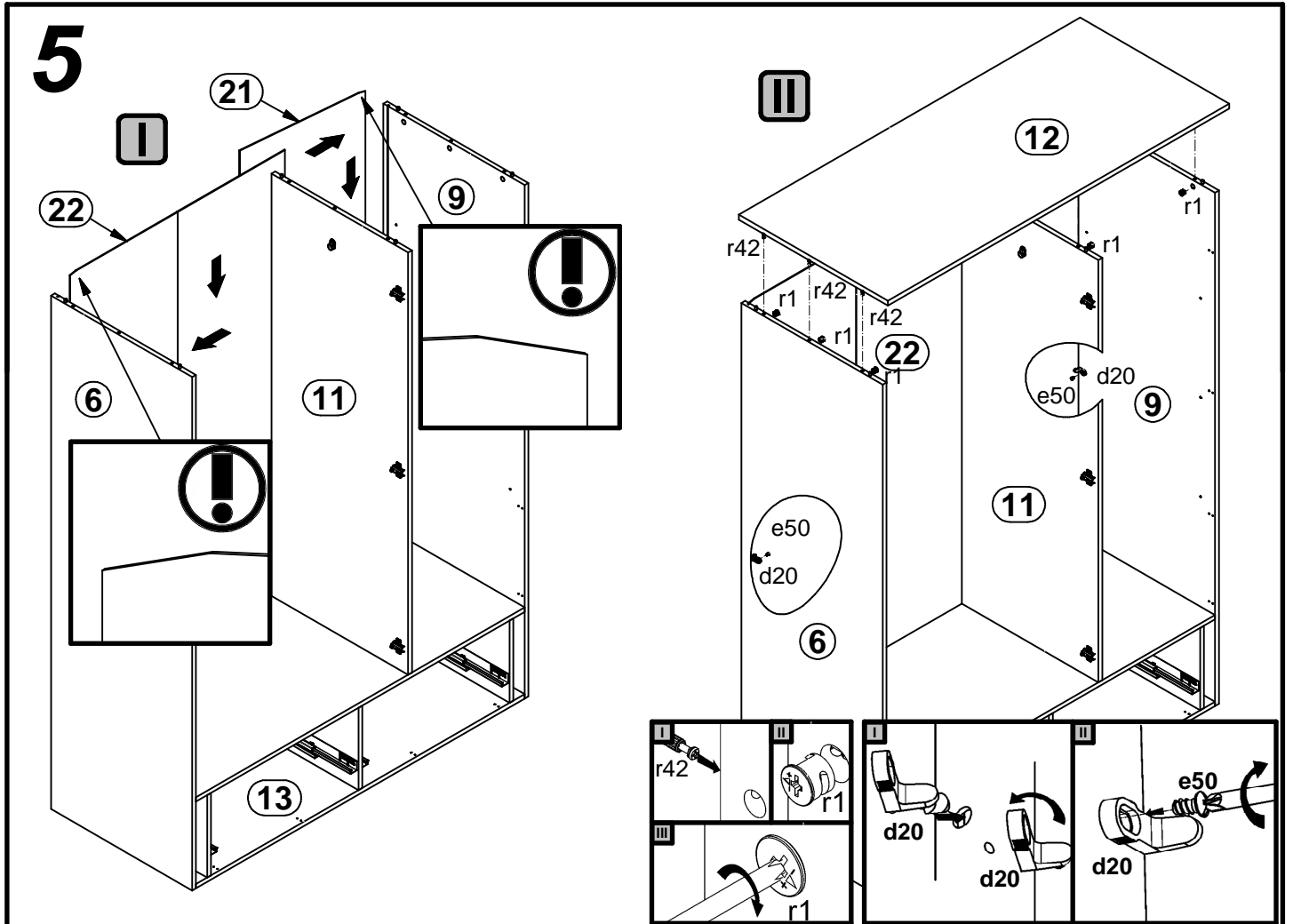
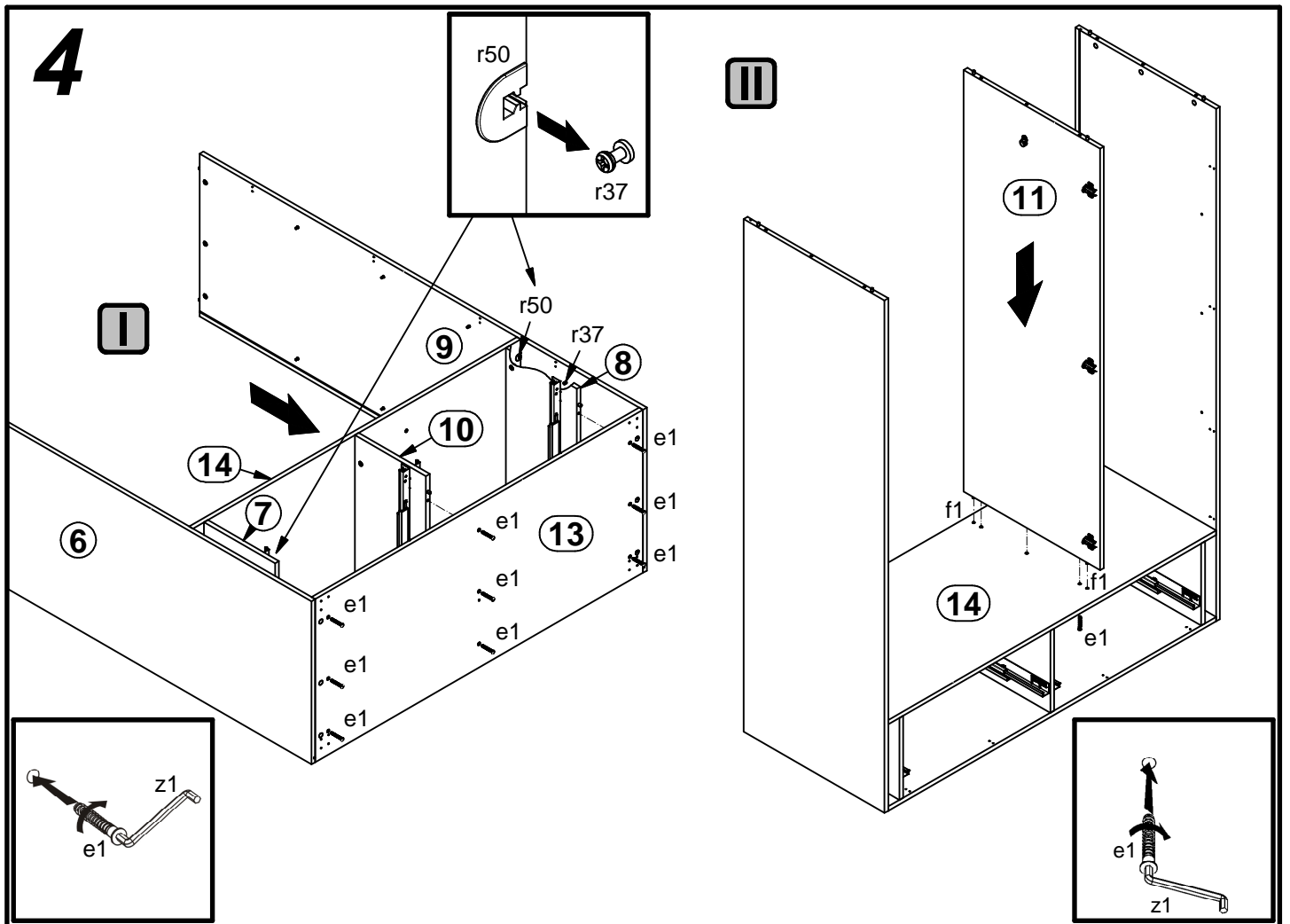


2

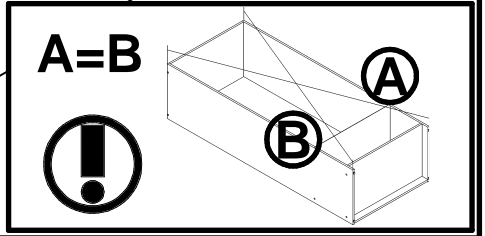
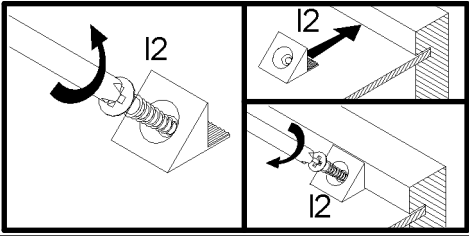
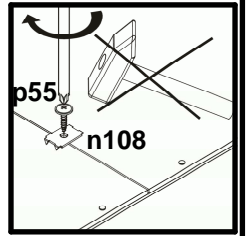
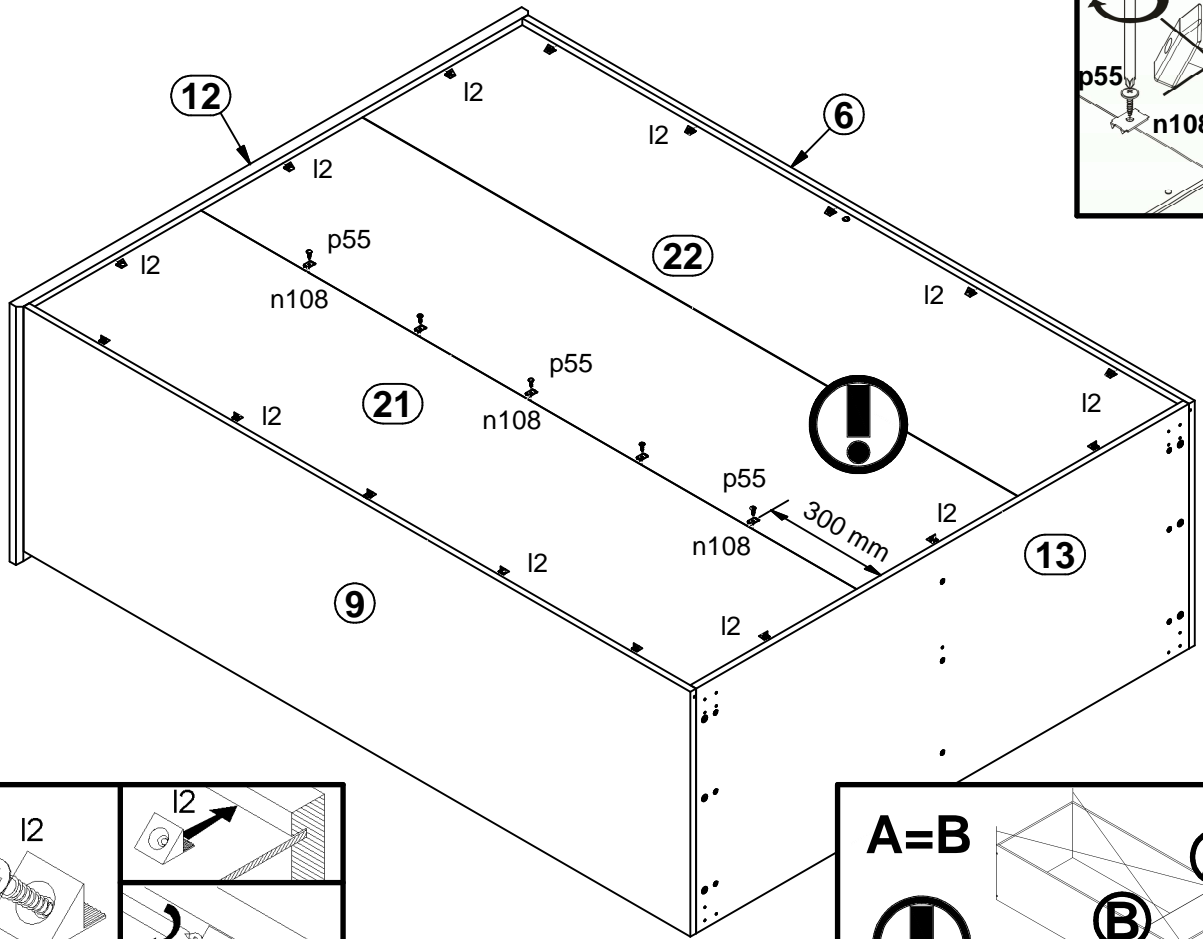


3

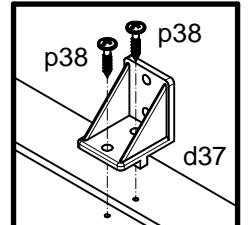
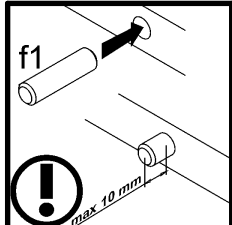
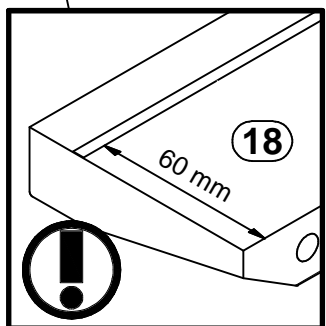
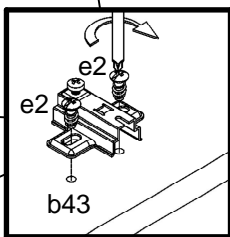
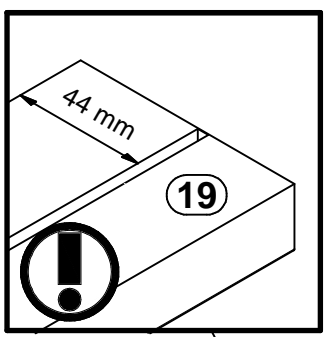
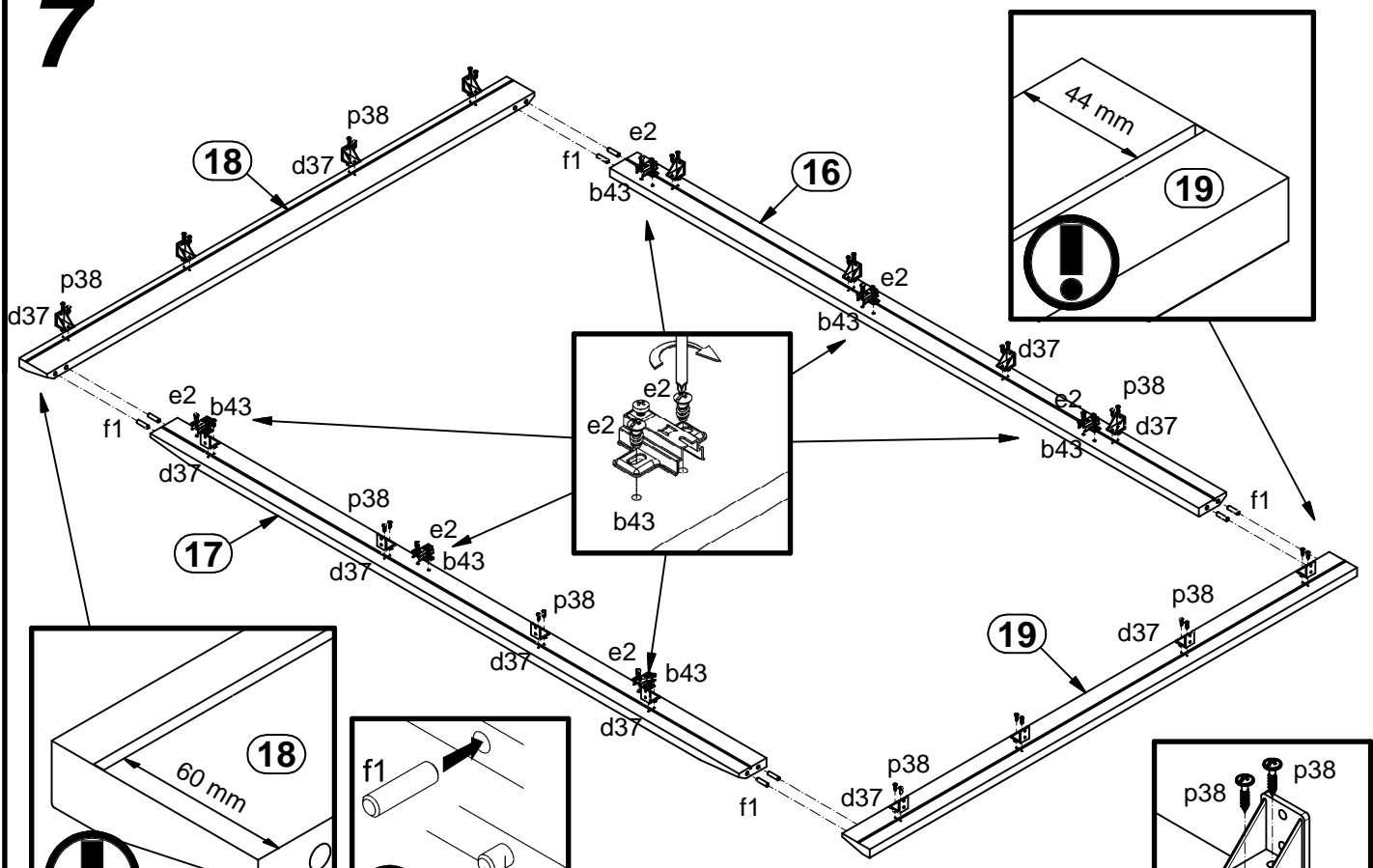




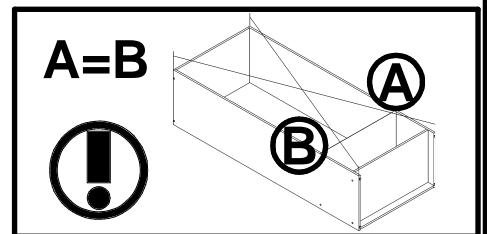
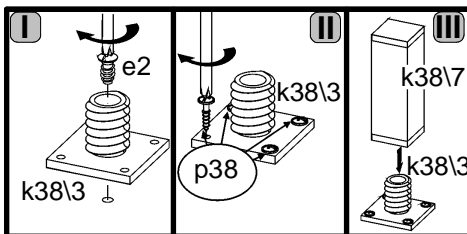
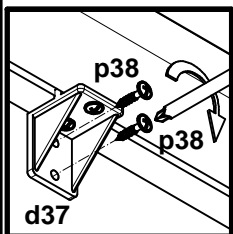
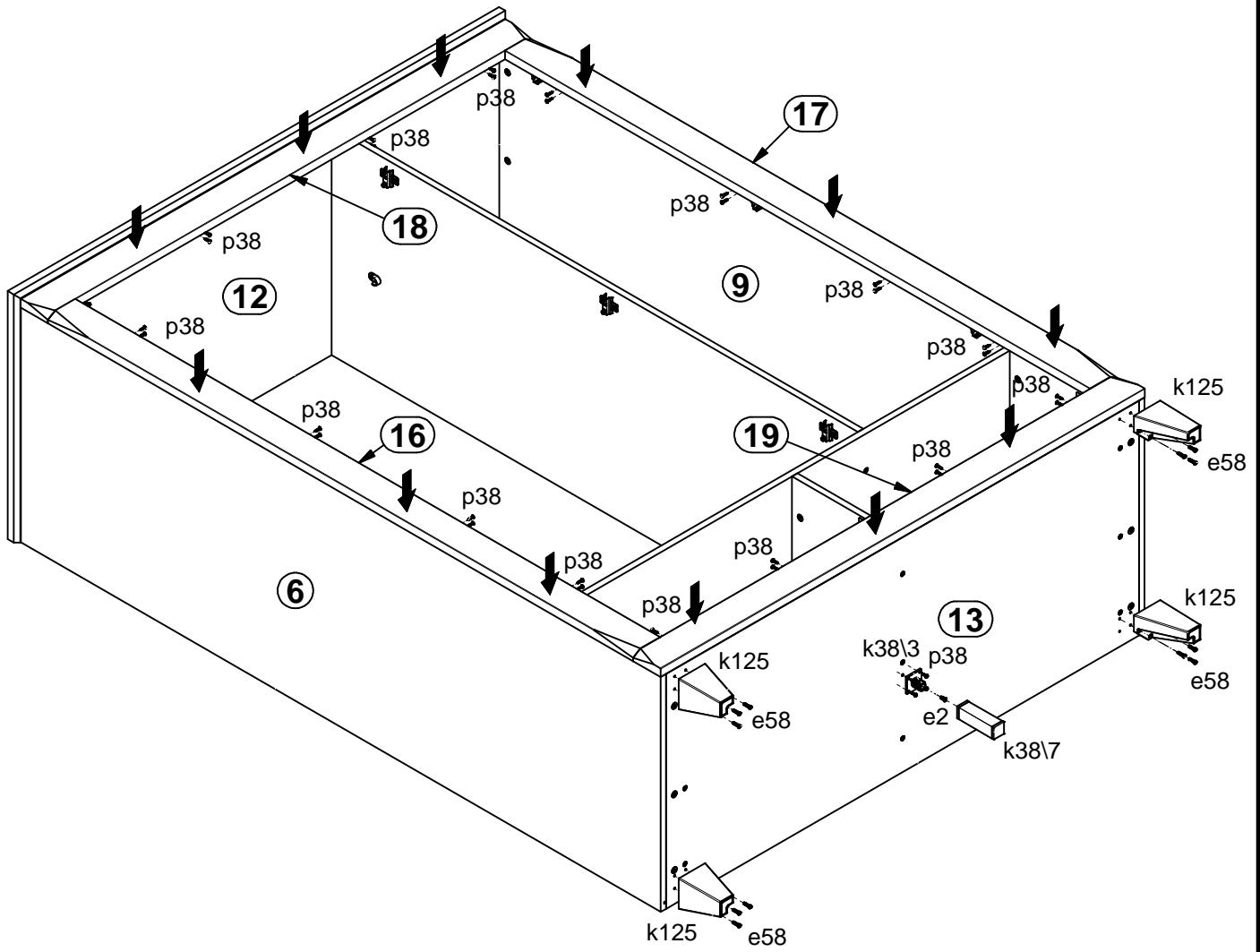
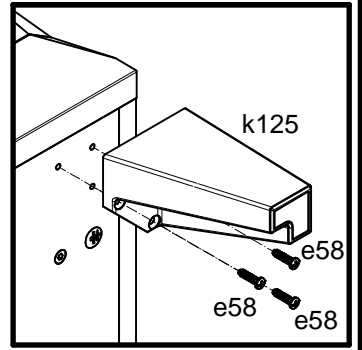
6



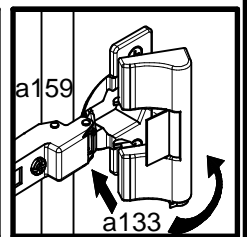
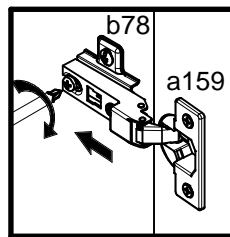
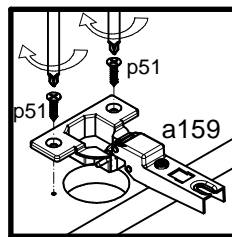
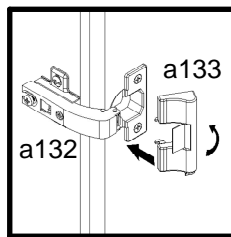
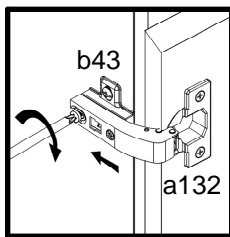
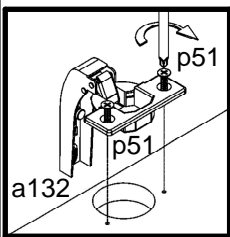
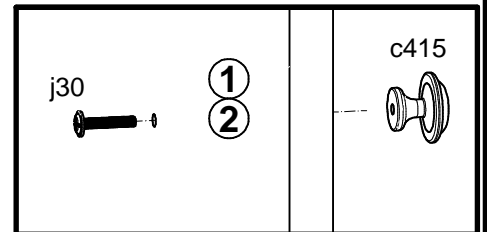
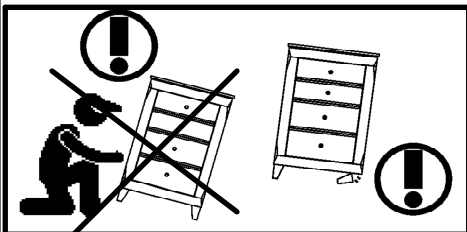
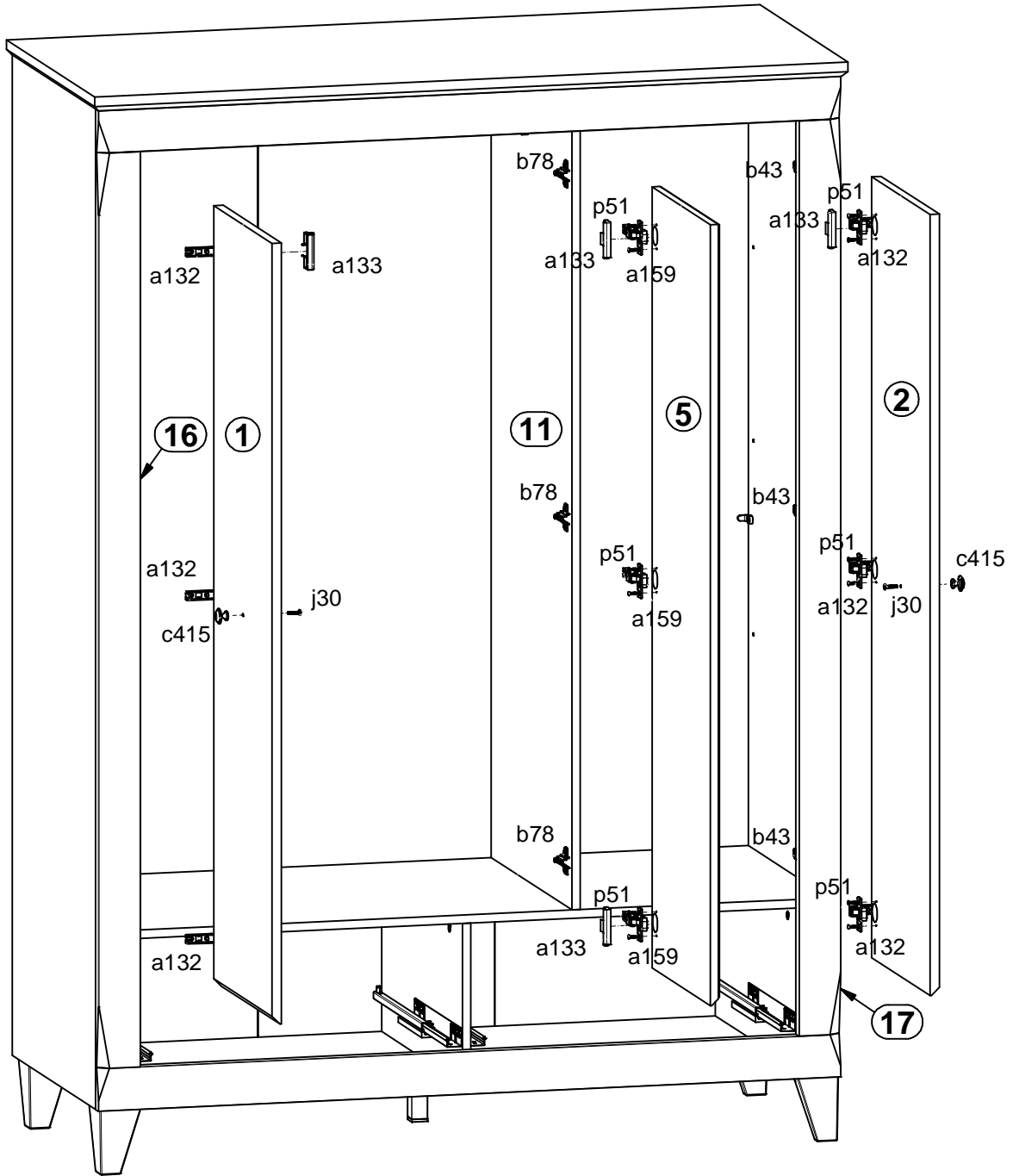
7



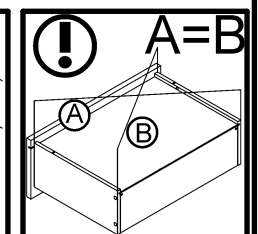
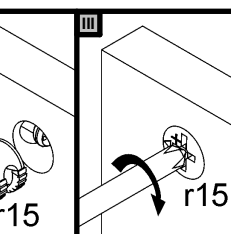
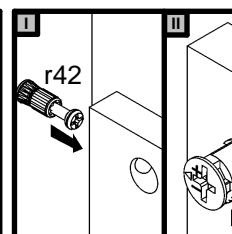
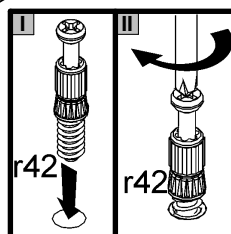
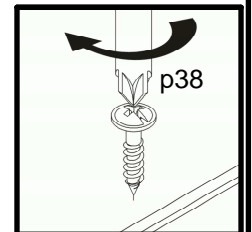
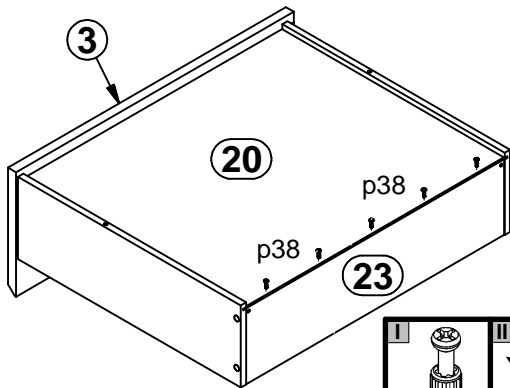
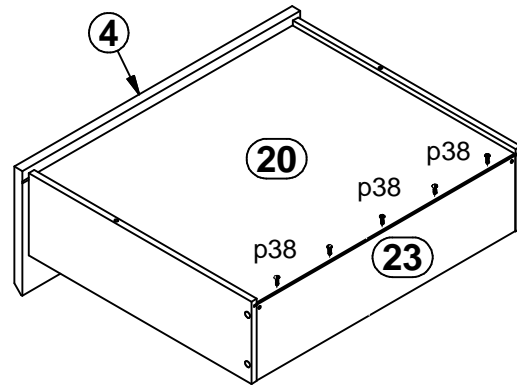
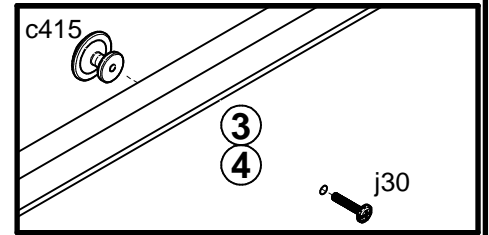
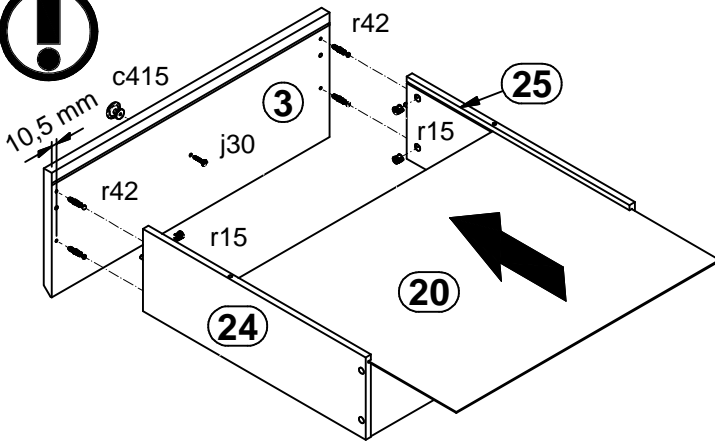
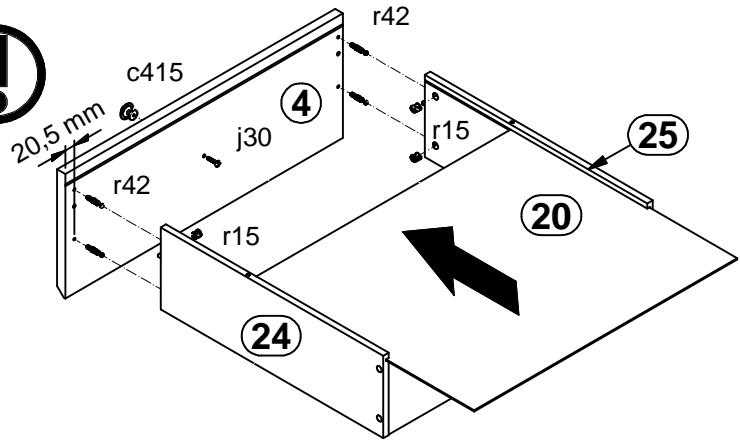
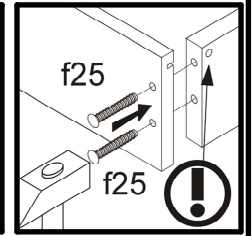
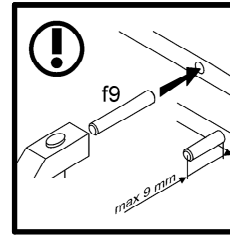
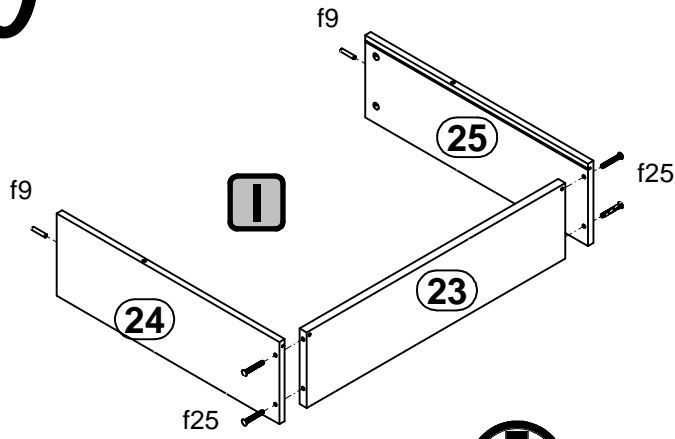
8



9



10



11

