






**1**

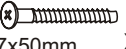
**T6**  x12

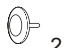
**C2**  x12


**M1**  x12


**T1**  x12

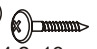
**B1**  8x28mm x14


**K1**  Ø7x50mm x3


**C1**  2 x2

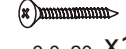
**W3**  x24

**M6**  x20


**P16**  Ø4,2x13mm X20

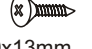
**L1**  x1

**F1**  x10

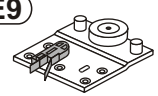
**S4**  3,0x20 x10


**2**


**F7**  x2

**S2**  Ø3,0x13mm x2

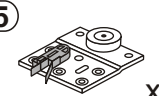
**3**


**E9**  x1

**E1**  Ø6,3x11mm x5

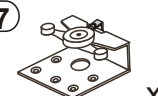
**E11**  x1


**4**

**E5**  x1

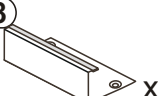
**E1**  Ø6,3x11mm x5


**5**

**E7**  x3

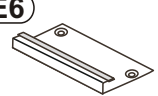
**E1**  Ø6,3x11mm x15

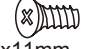
**6**

**E8**  x2

**E1**  Ø6,3x11mm x4

**7**

**E6**  x2

**E1**  Ø6,3x11mm x4

**8**

**L4**  x2

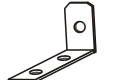
**S3**  Ø3,5x13mm x51

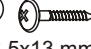
**S2**  Ø3,0x13mm x32


**L5**  L=2154 mm x2


**L1**  x1

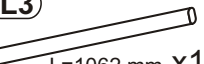
**9**

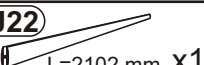
**J11**  x2

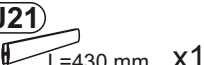
**P13**  Ø3,5x13 mm x4

**T13**  8x40 x2

**S15**  x2

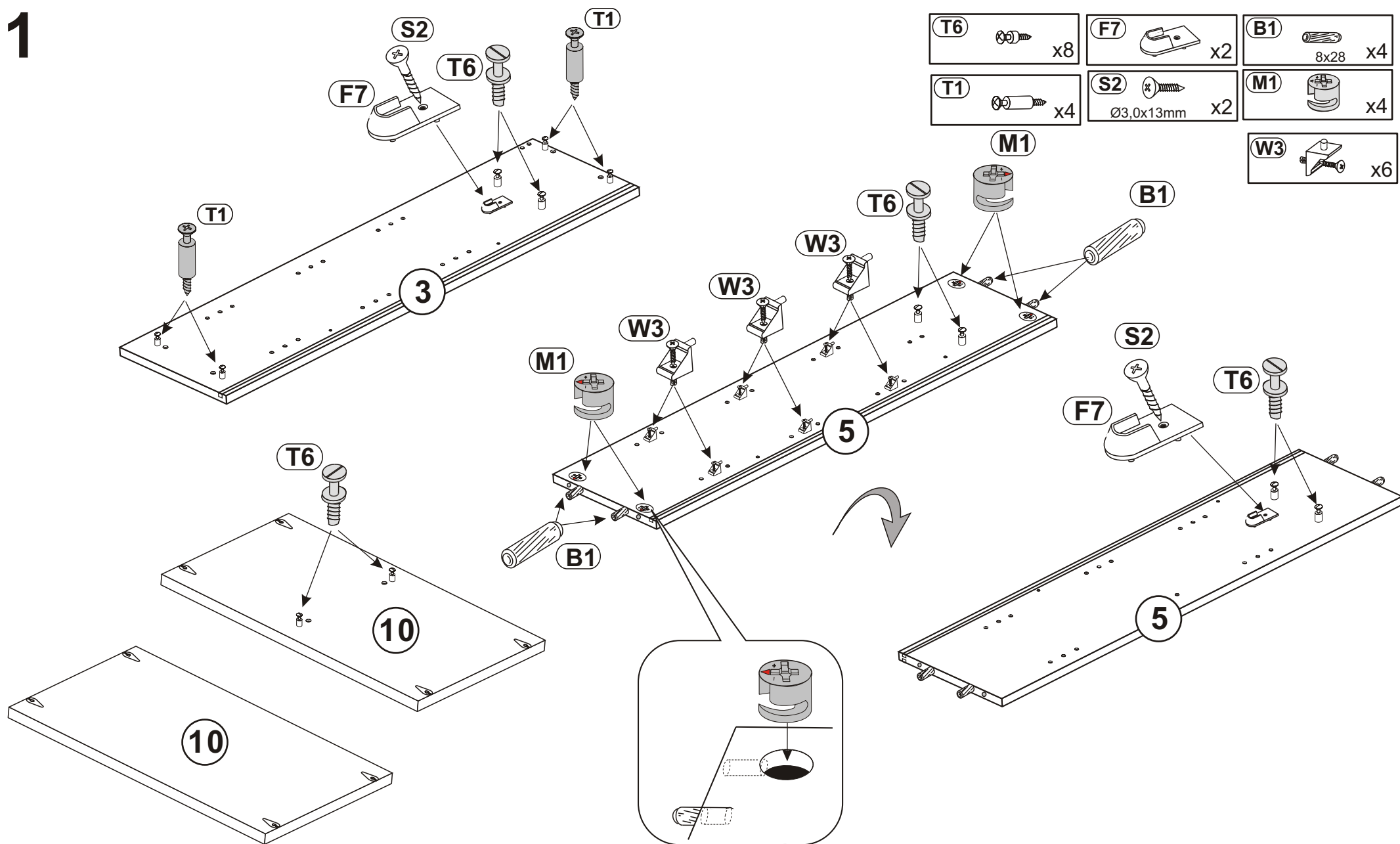
**L3**  L=1062 mm X1

**J22**  L=2102 mm X1

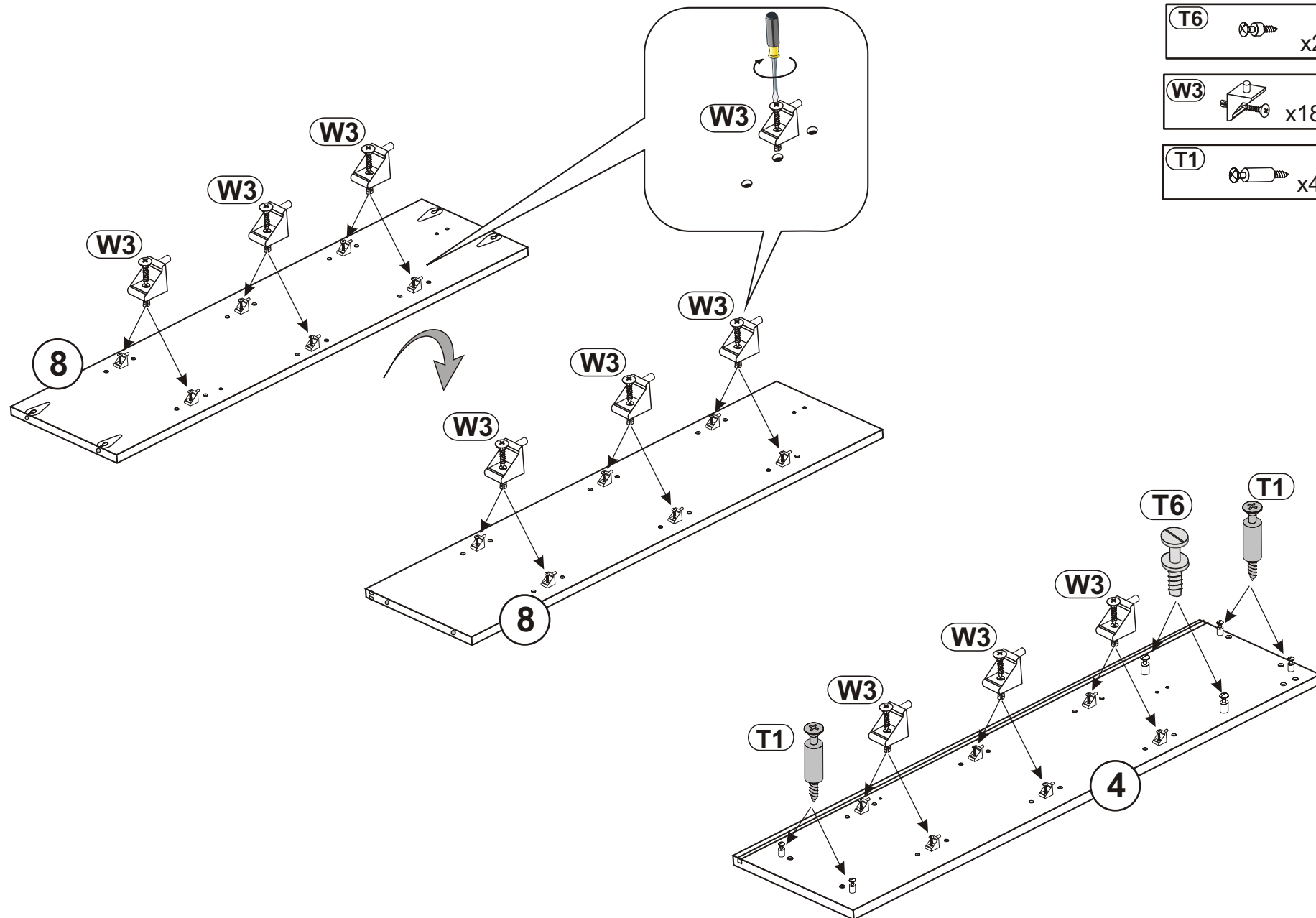
**J21**  L=430 mm X1



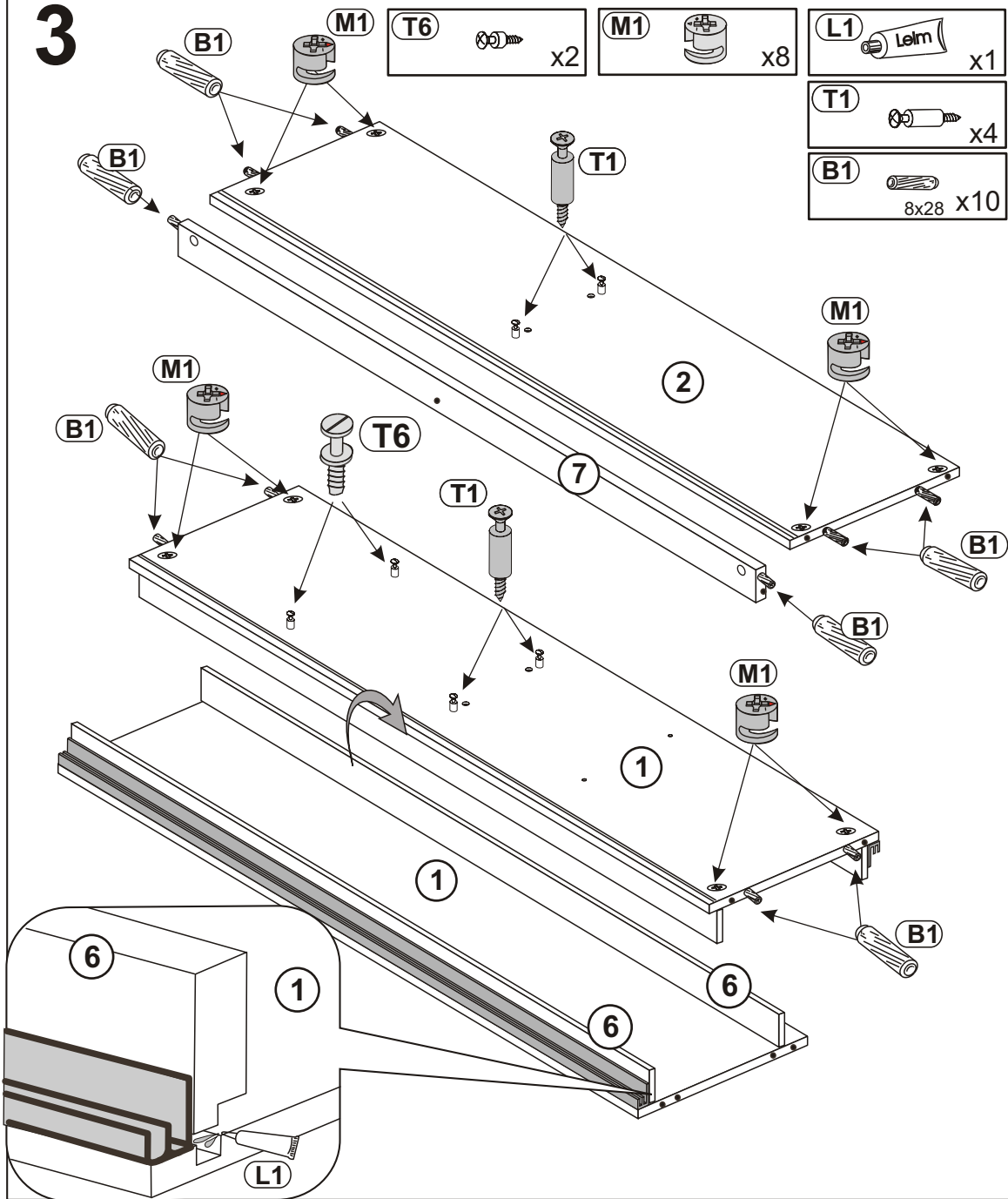
1



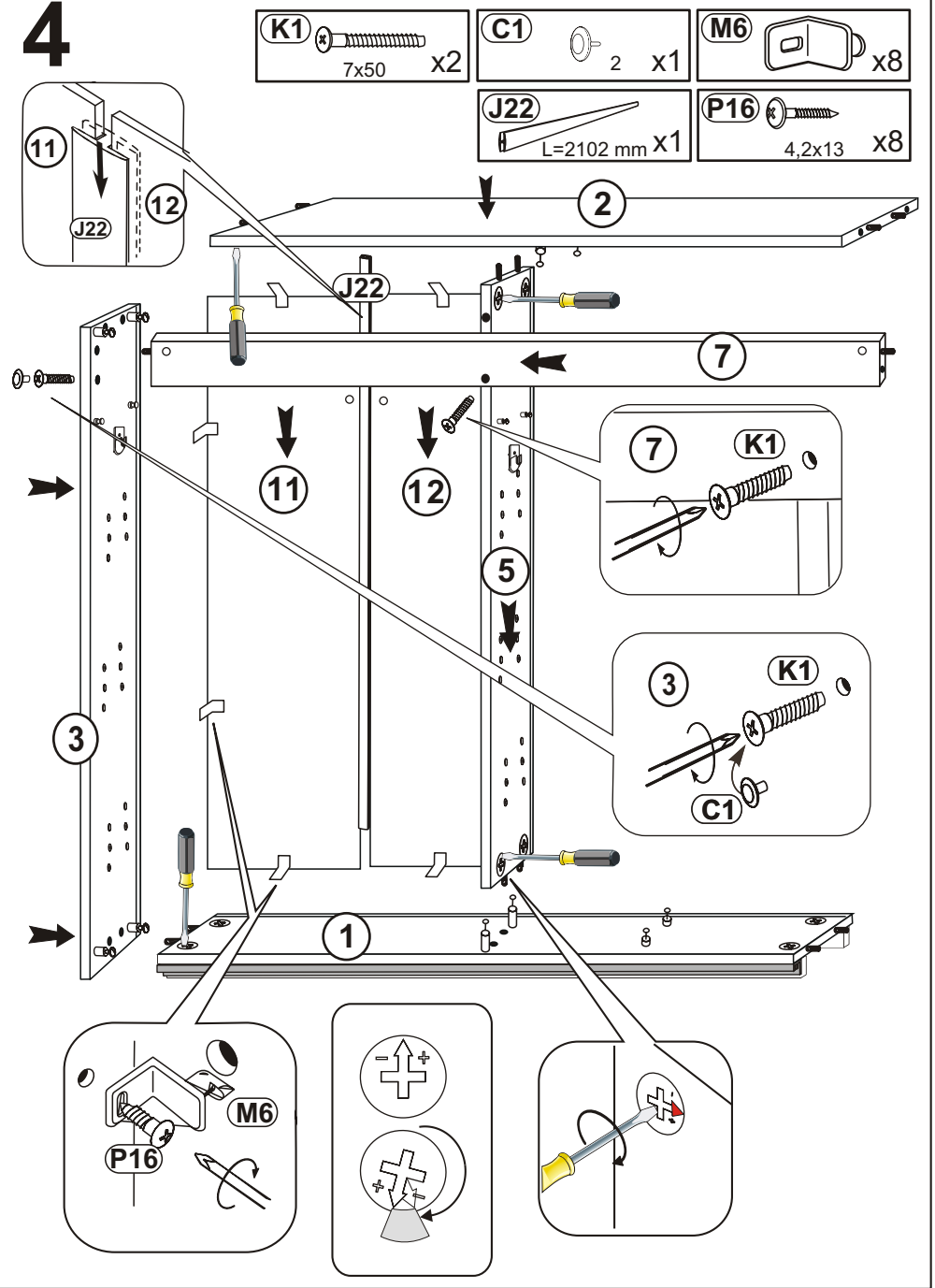
2








3

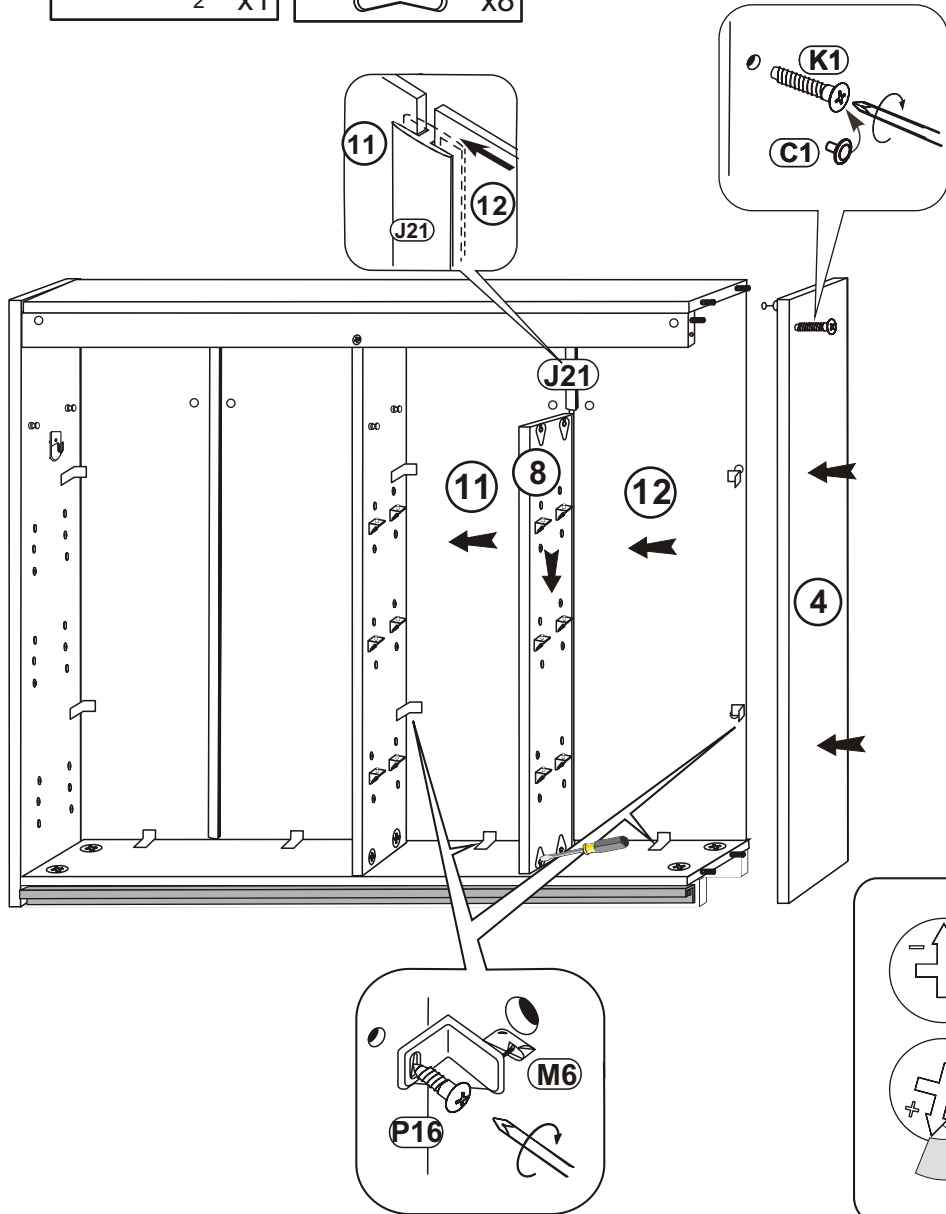


4

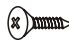





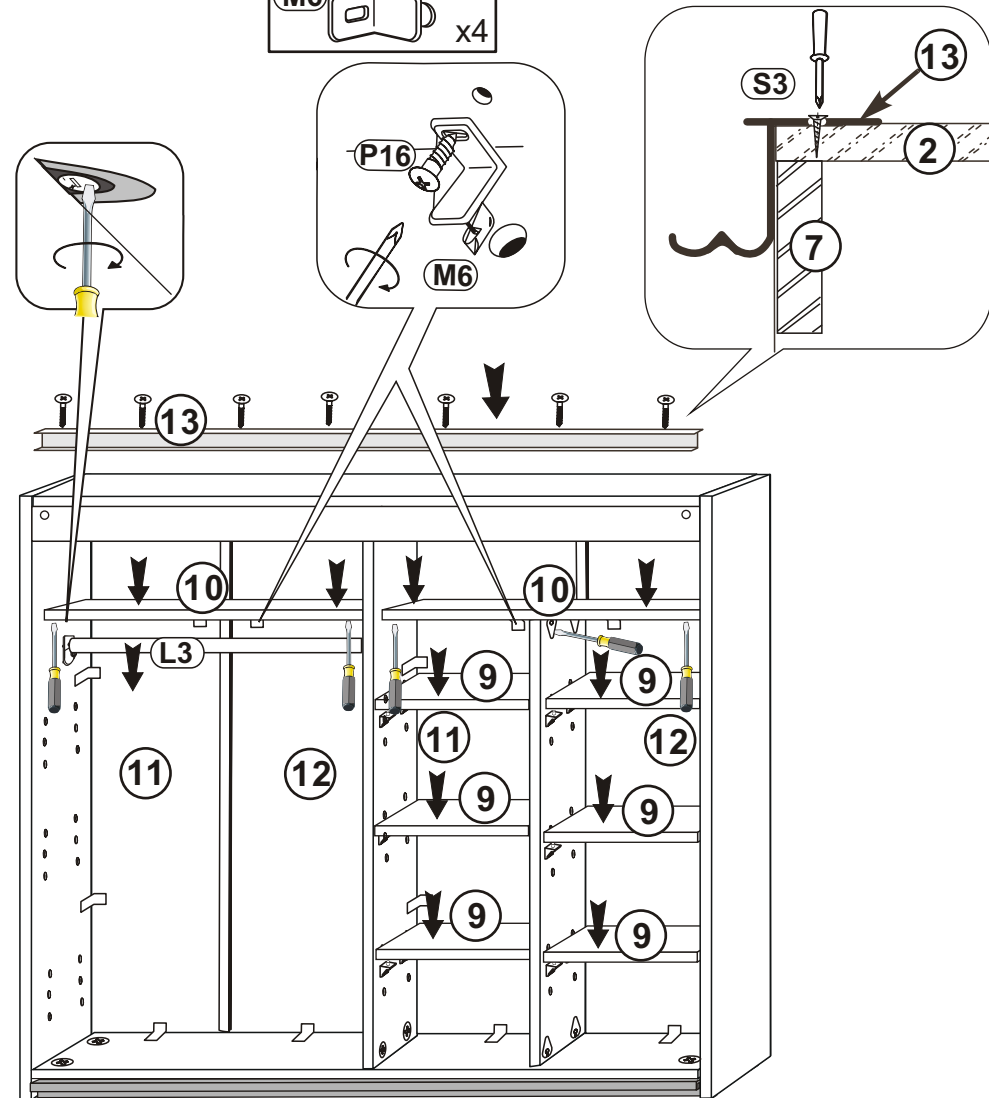
5

- K1**  Ø7x50mm X1
- P16**  Ø4,2x13mm X8
- J21**  L=430 mm X1
- C1**  2 X1
- M6**  X8

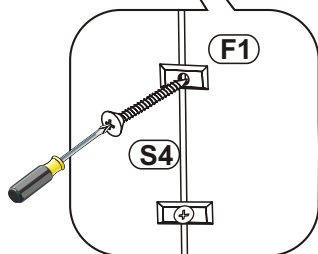
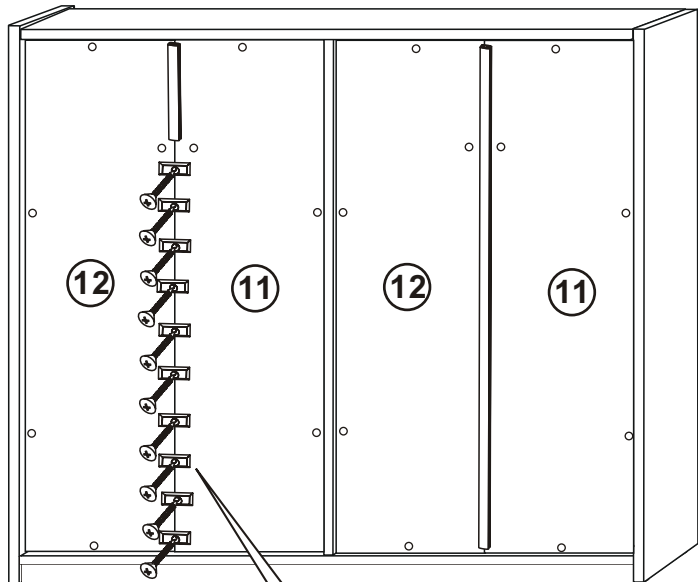
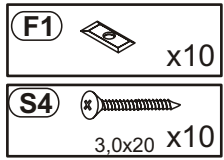


6

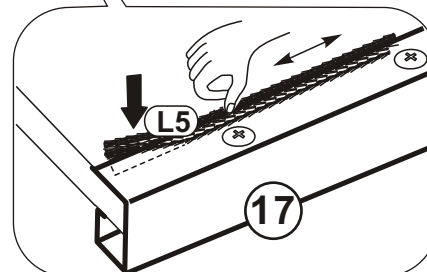
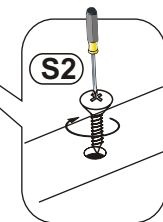
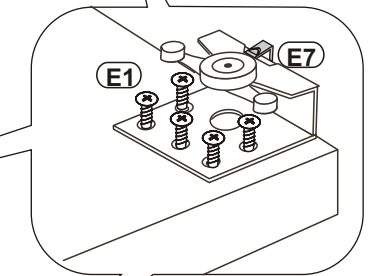
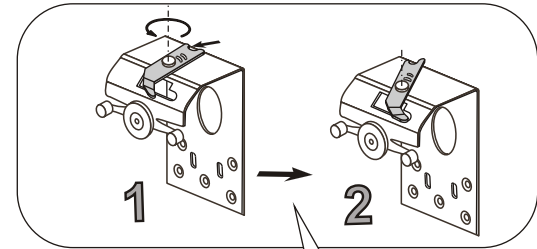
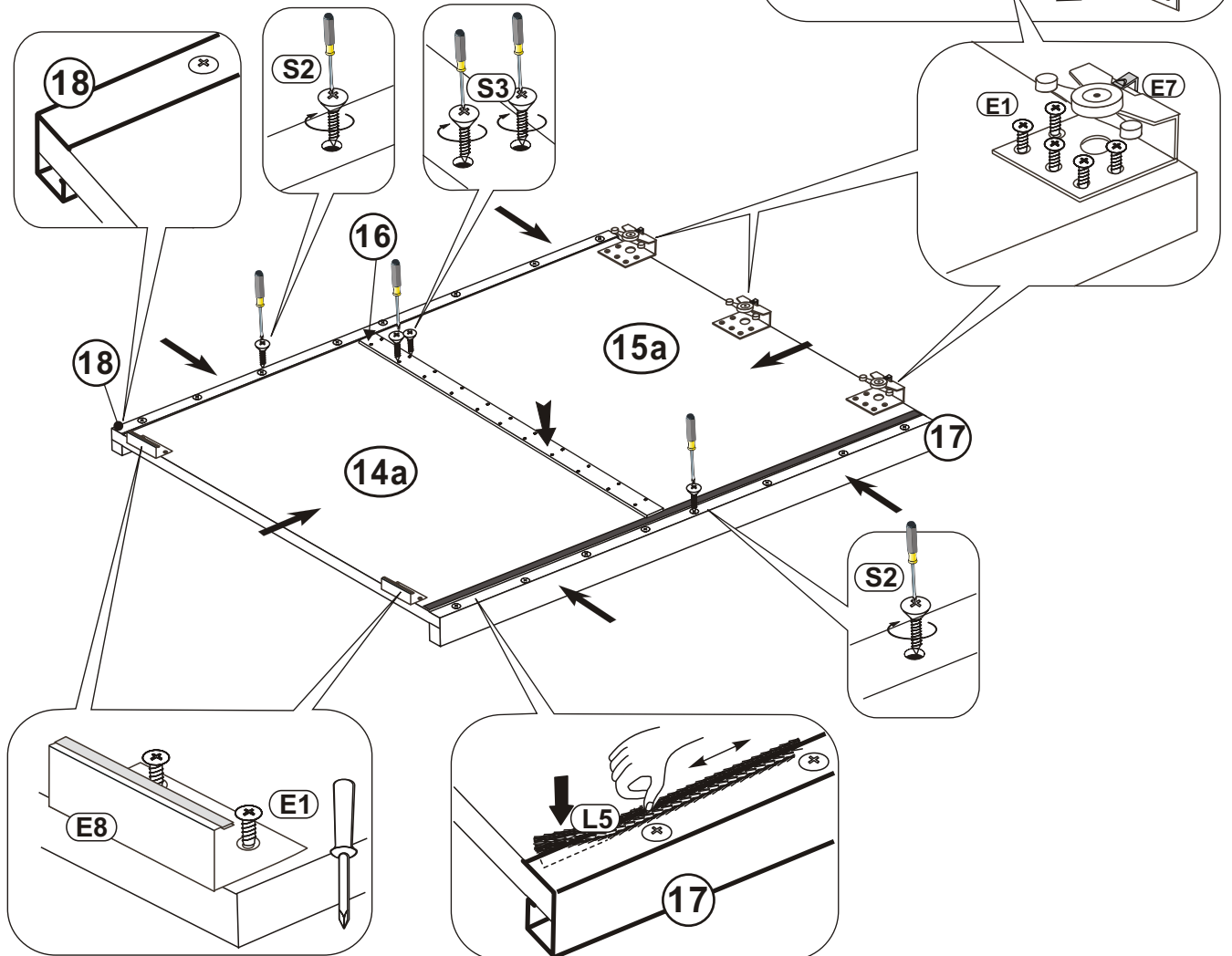
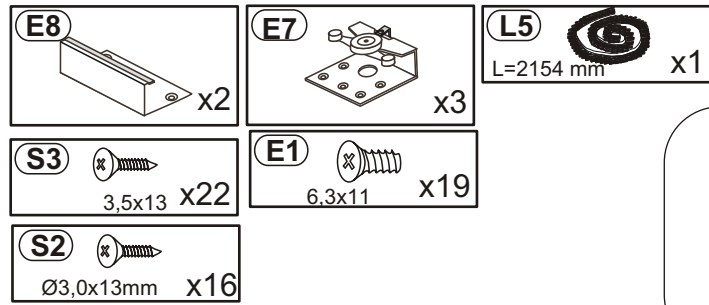
- S3**  Ø3,5x13mm X7
- P16**  Ø4,2x13mm X4
- L3**  L=1062 mm X1
- M6**  X4



7



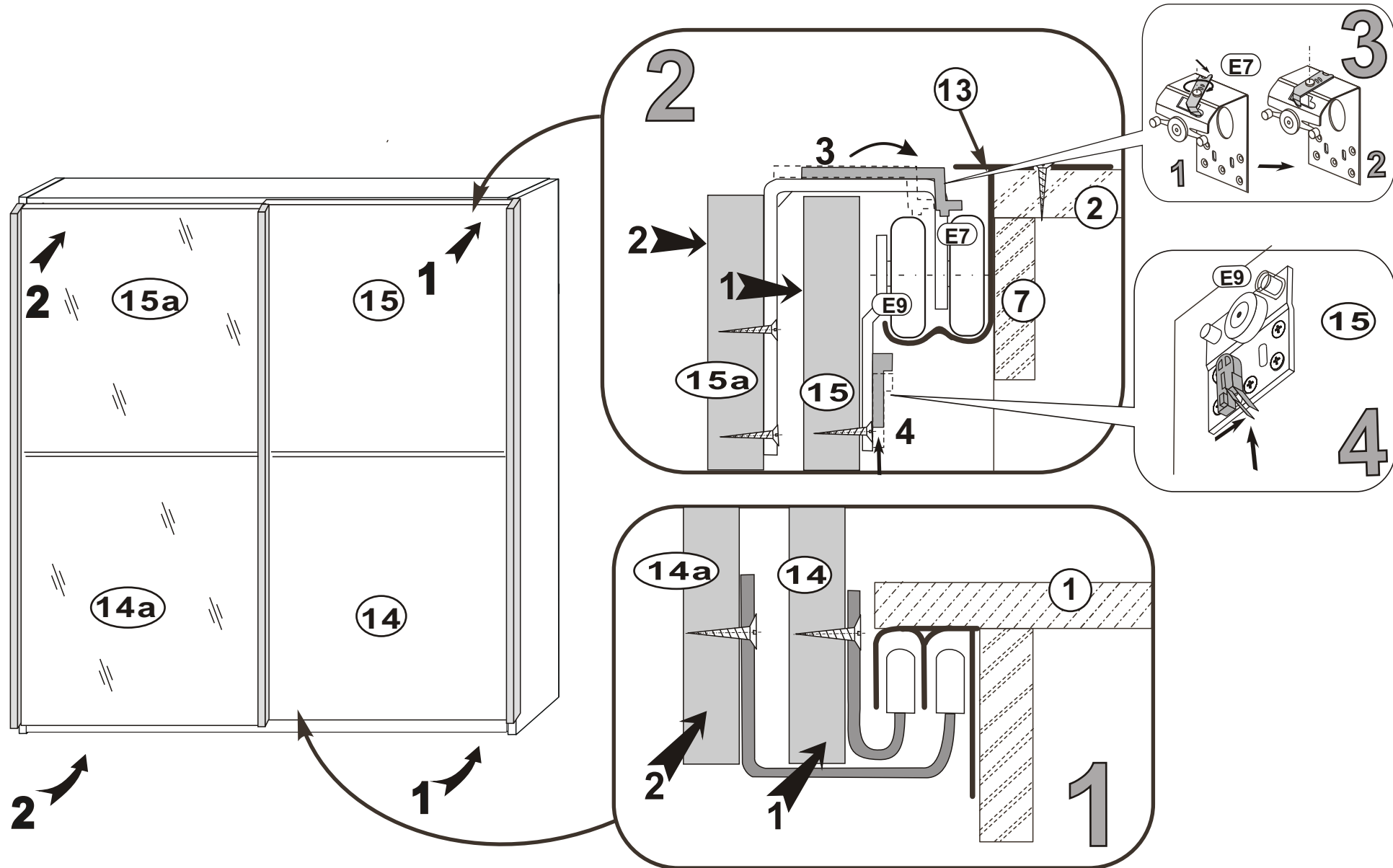
8



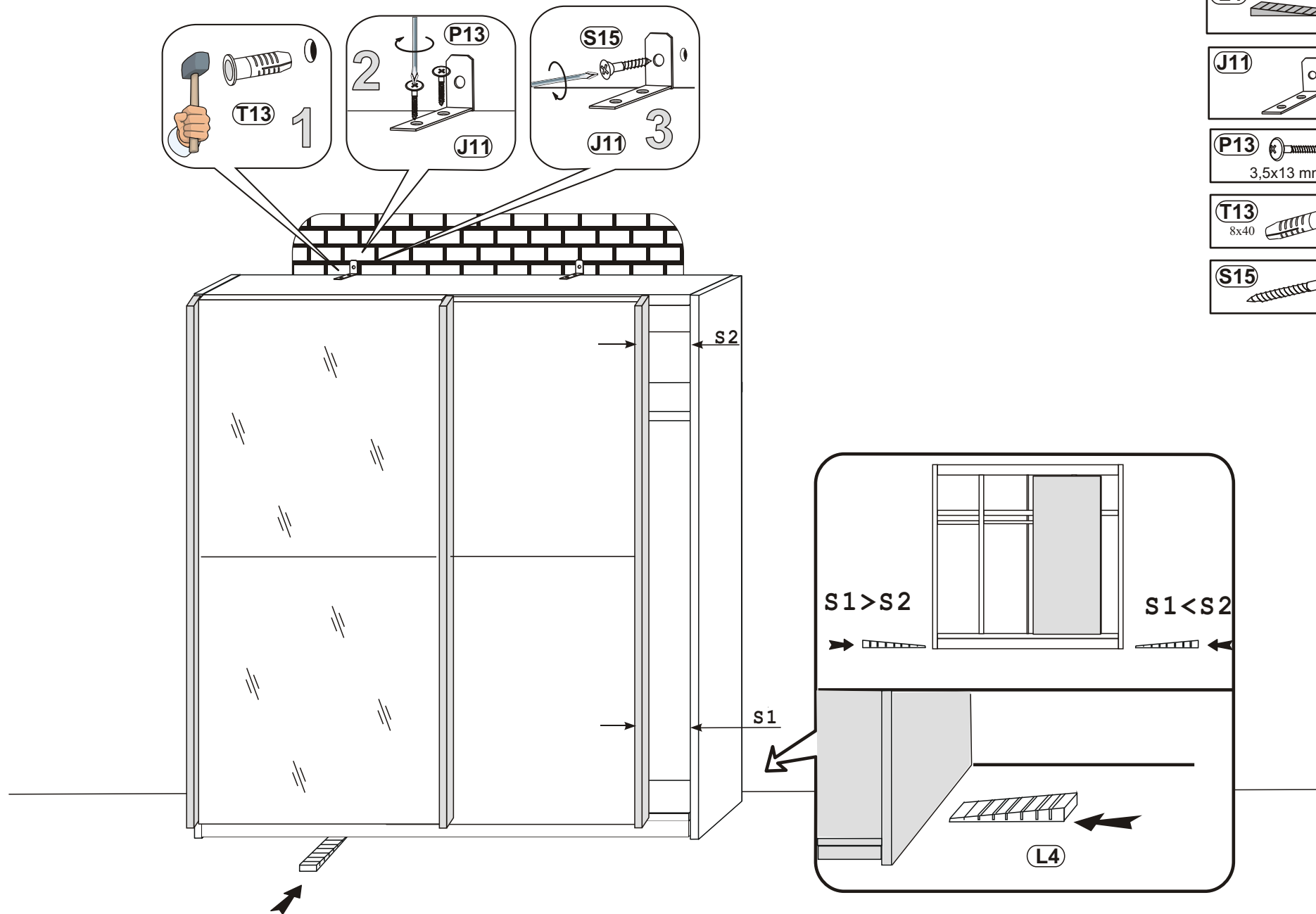


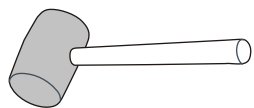
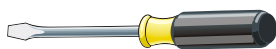
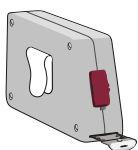
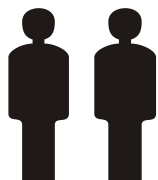
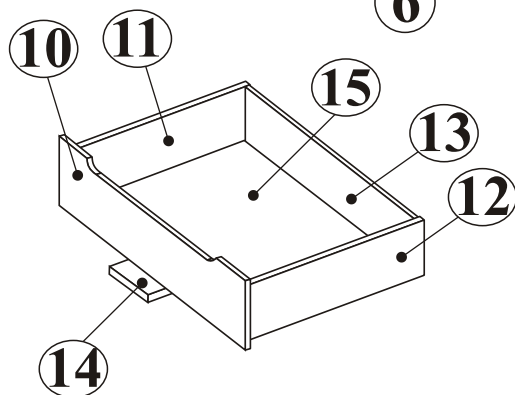
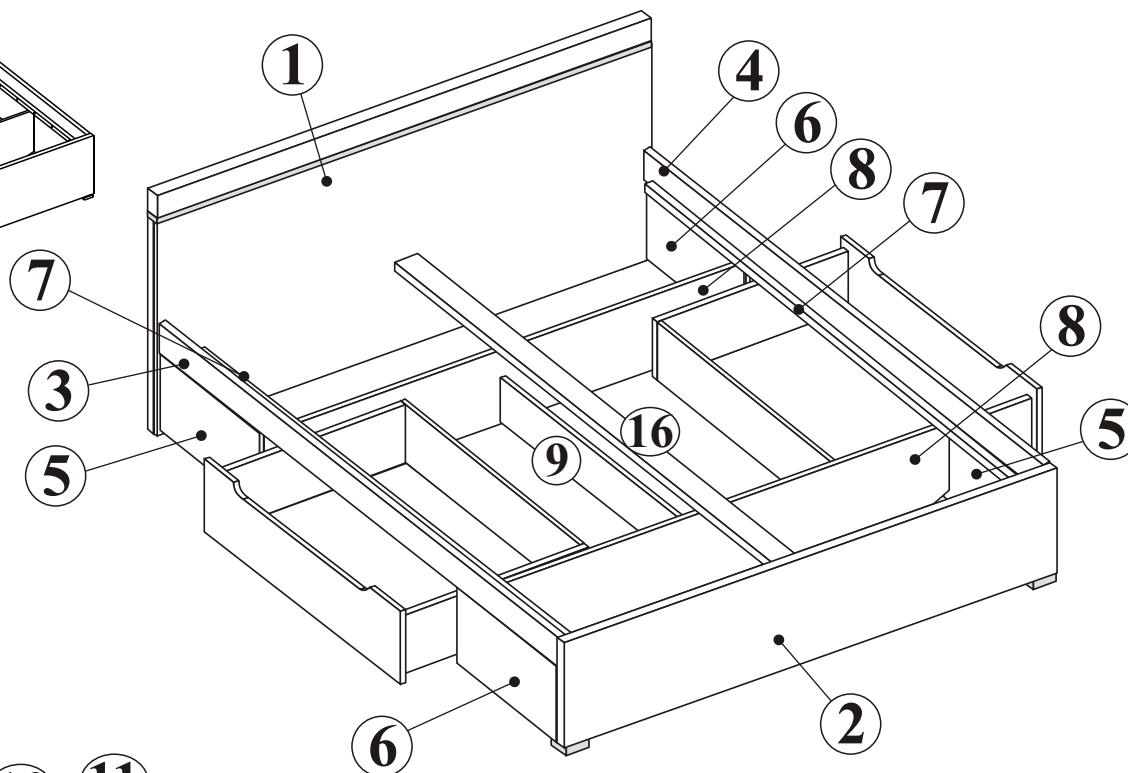
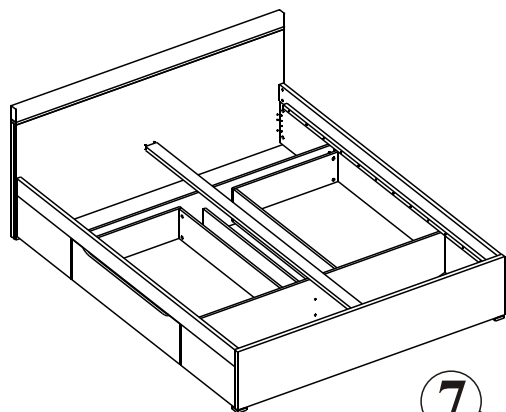


# 10



11





- NR 1**
- (B1)** 8x28 x36
  - (B2)** 10x28 x12
  - (M1)** x36
  - (T1)** x36
  - (F12)** x2
  - (S8)** 4x16 mm x8
  - (G6)** x4
  - (G17)** M6x80 x4
  - (G7)** x1
  - (S14)** 4x35 x24
  - (C2)** x16
  - (K1)** 7x50 x4
  - (L1)** x1
- NR 5**
- (N20)** x2
  - (S2)** 4x30 x6

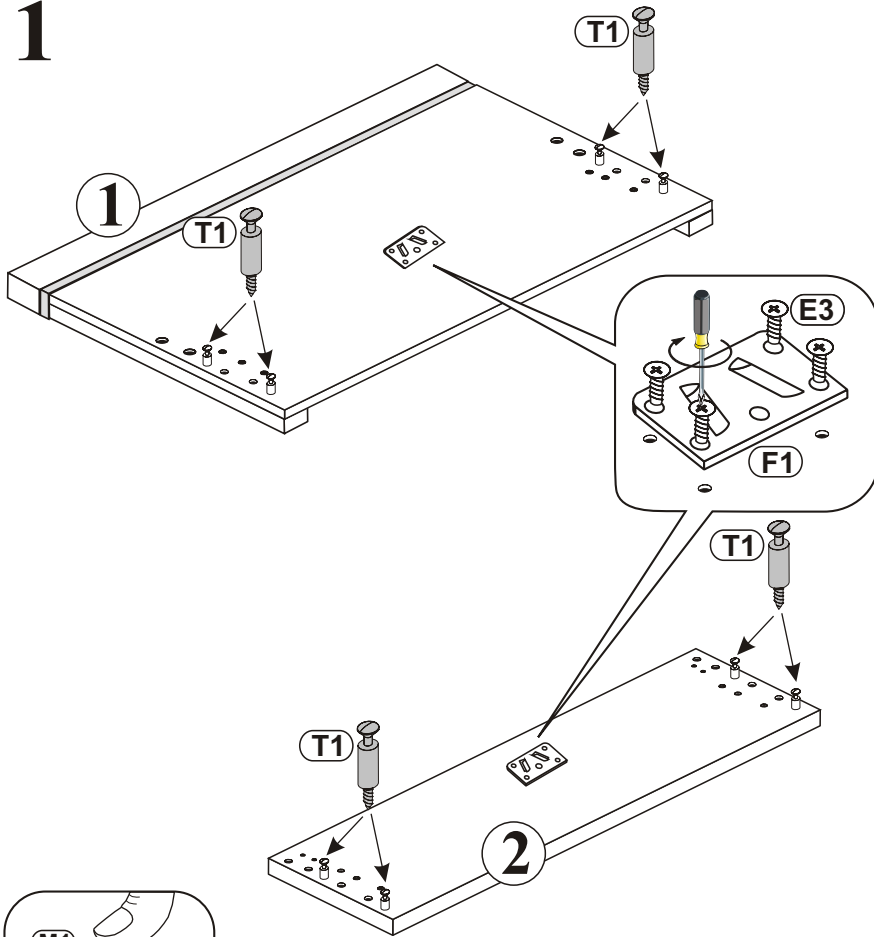
- NR 2**
- (F1)** x2
  - (F2)** x2
  - (E3)** 6x11 x8
  - (S8)** 4x16 x6






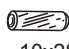

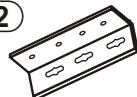
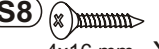
- NR 3**
- (J2)** x4
  - (E5)** 6,3x13 x12
  - (S8)** 4x16 mm x16

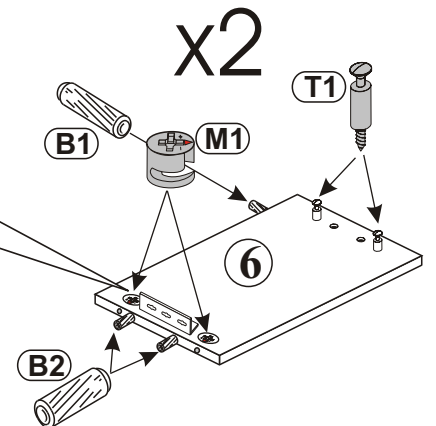
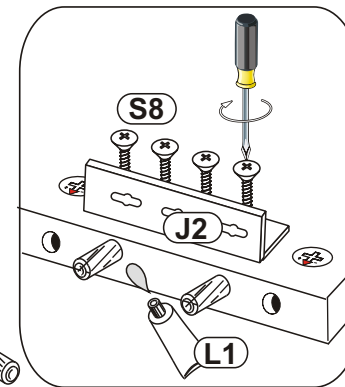
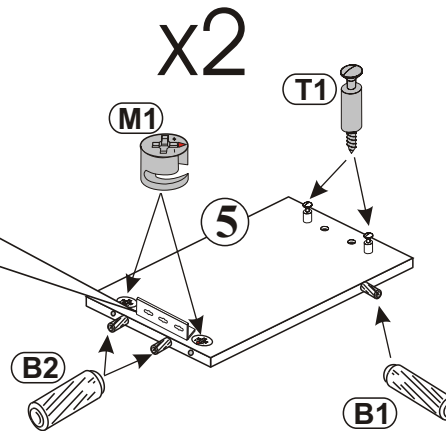
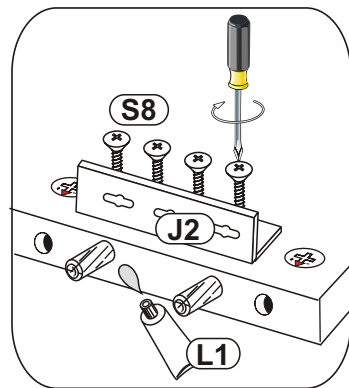
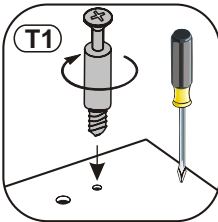
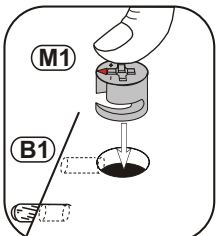
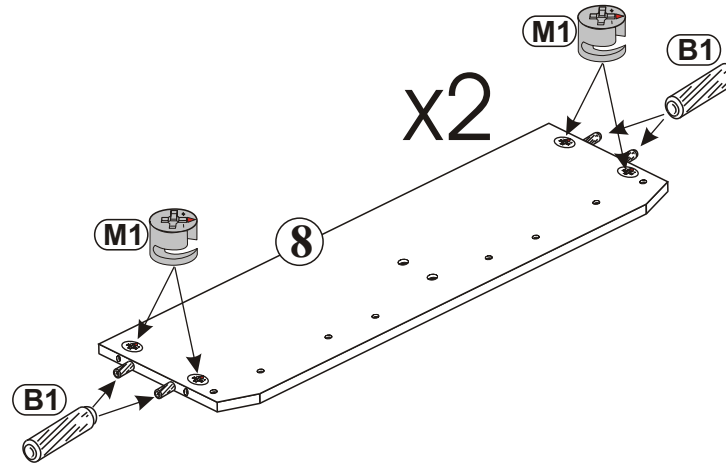
- NR 4**
- (R25)** L-550 mm x2L/2R
  - (E2)** 6,3x11 x16
  - (P3)** 3x13mm x12
  - (S3)** 3,5x13 x4



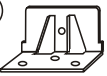
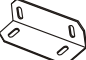

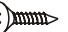



1

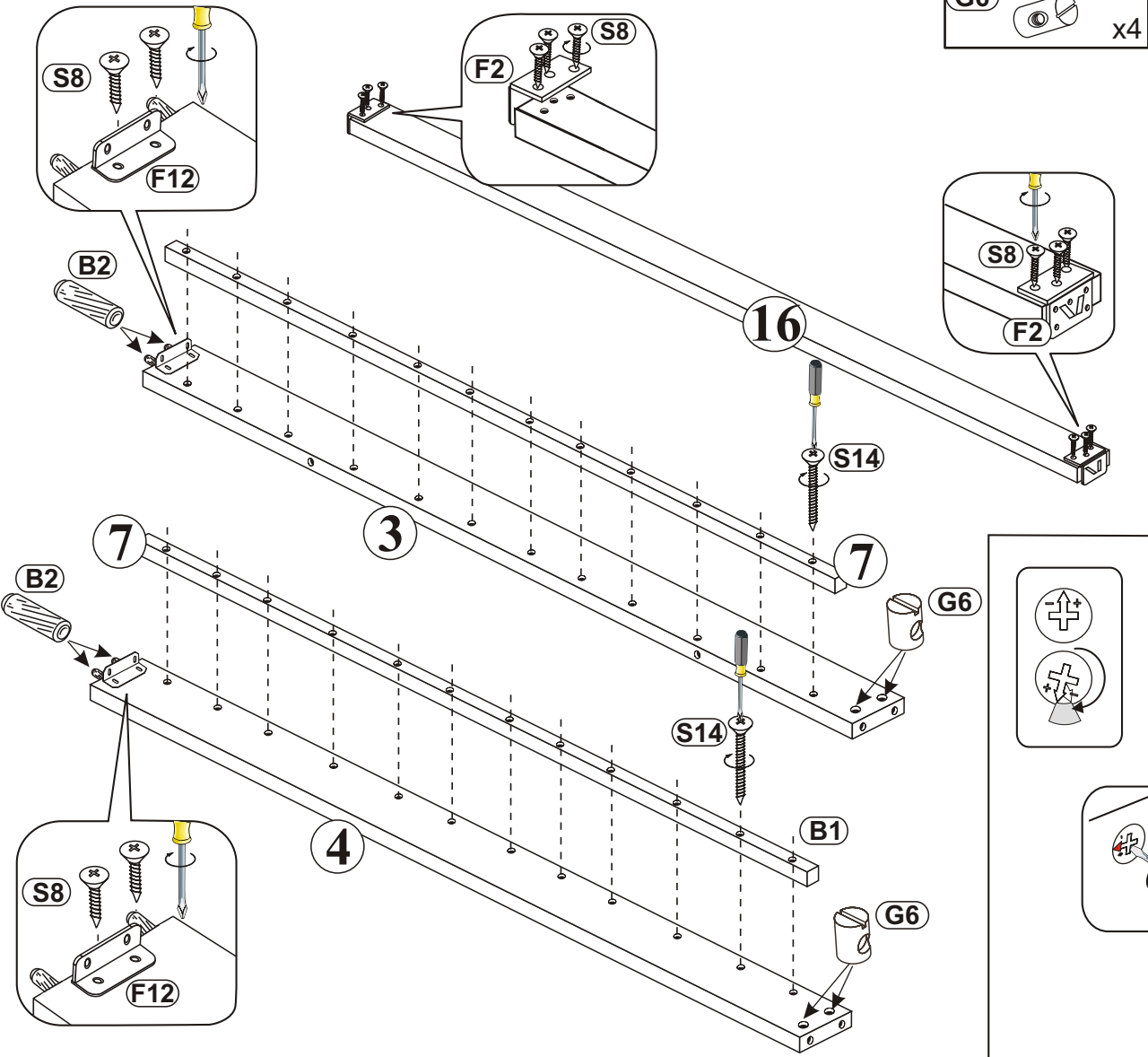


<b>F1</b>  x2	<b>T1</b>  x16
<b>E3</b>  6x11 x8	<b>B1</b>  8x28 x12
<b>L1</b>  x1	<b>B2</b>  10x28 x8
<b>M1</b>  x16	<b>J2</b>  x4
<b>S8</b>  4x16 mm x16	


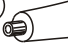


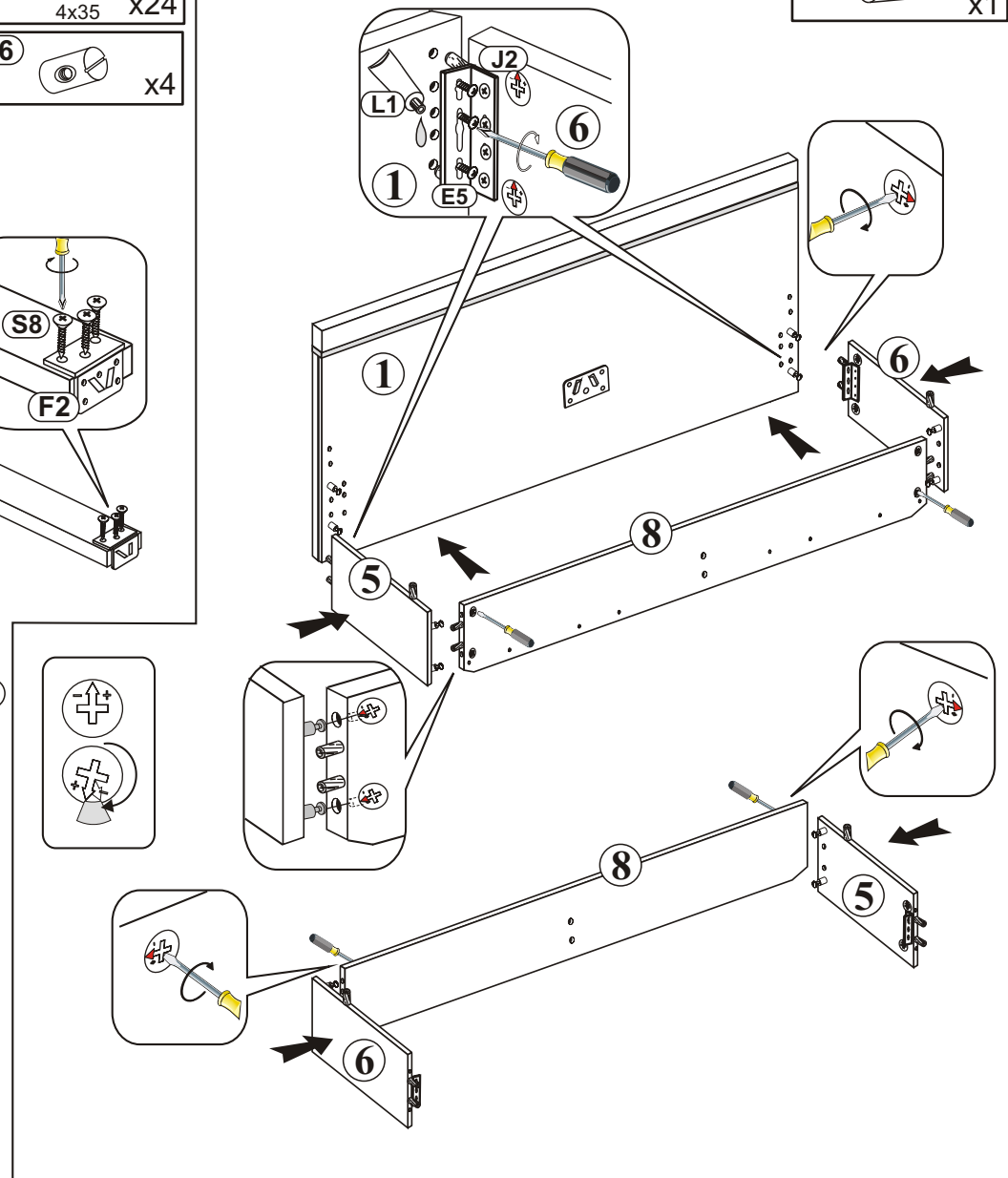
2

- F2**  x2
- F12**  x2
- B2**  10x28 x4
- S8**  4x16 x6
- S8**  4x16 mm x4
- S14**  4x35 x24
- G6**  x4

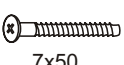

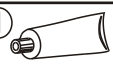


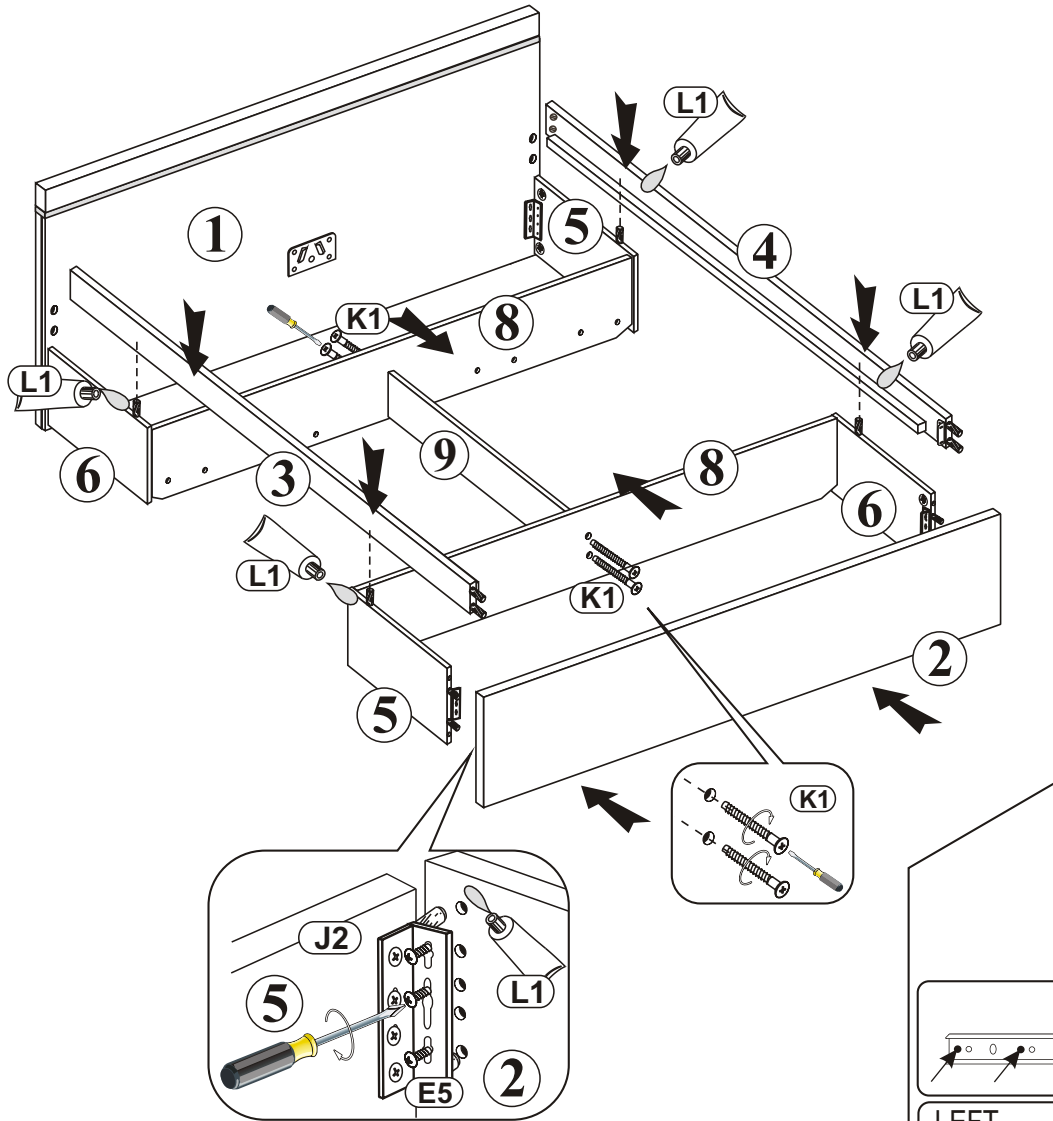
3

- E5**  6,3x13 x6
- L1**  x1


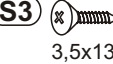
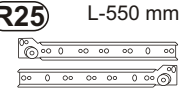


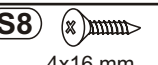


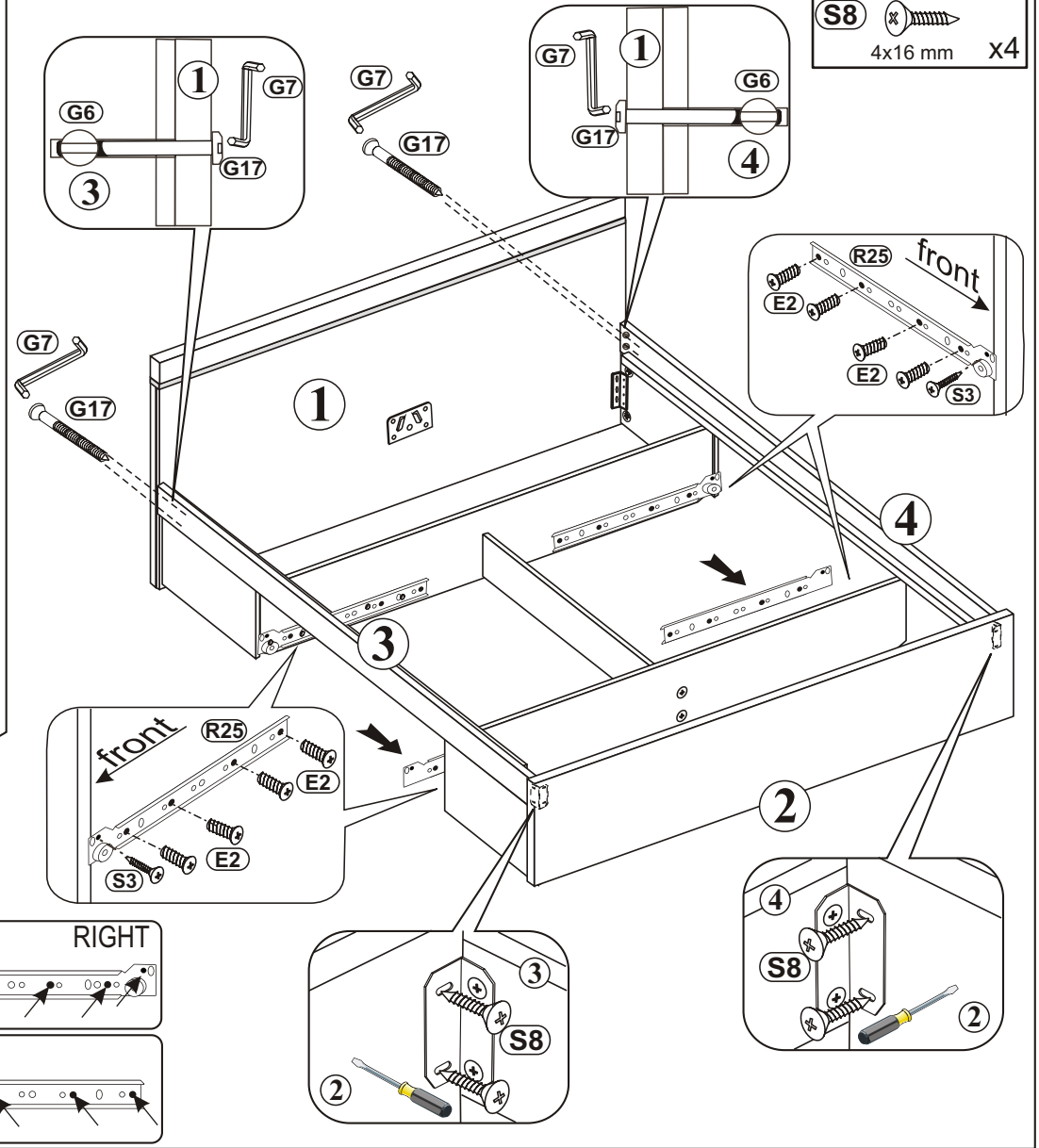
4

- K1**  7x50 x4
- E5**  6,3x13 x6
- L1**  x1

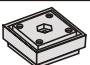
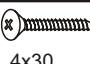


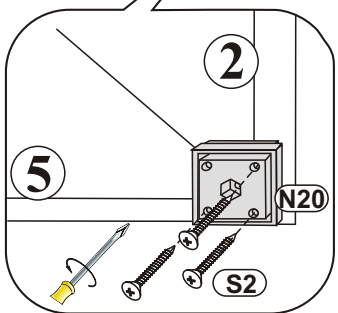
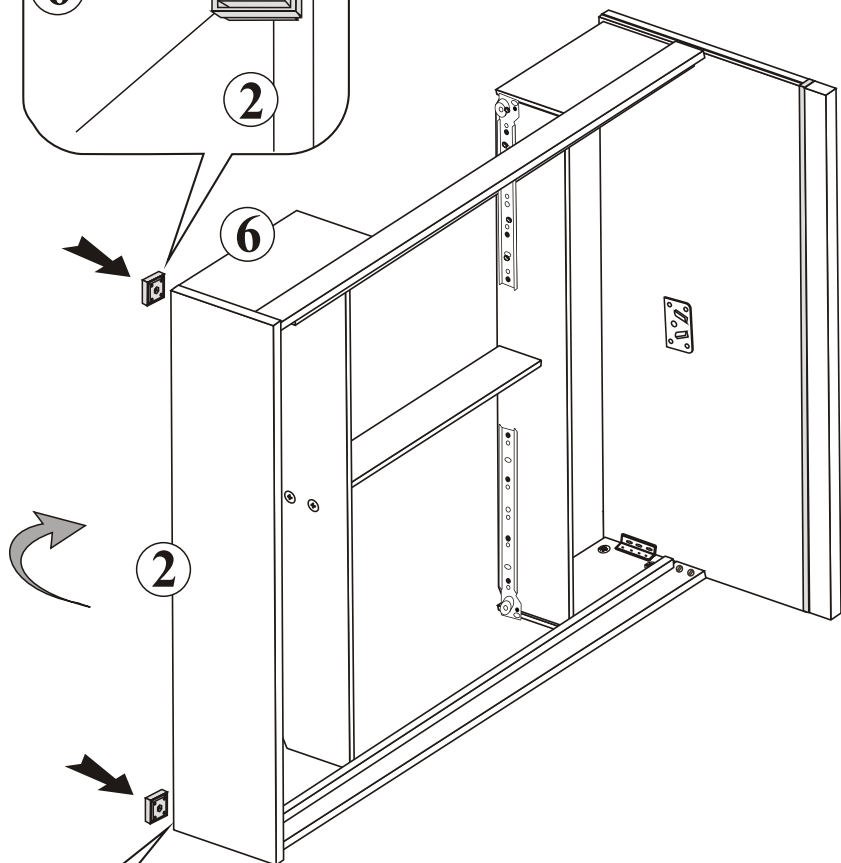
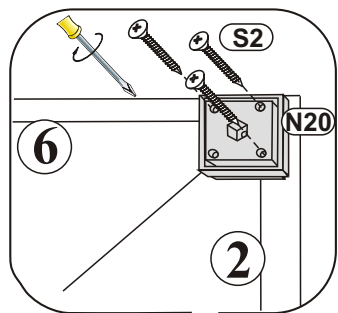
5

- E2**  6,3x11 x16
- S3**  3,5x13 x4
- R25** L-550 mm  x2L/2R
- G17**  M6x80 x4
- G7**  x1
- S8**  4x16 mm x4

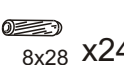

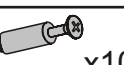


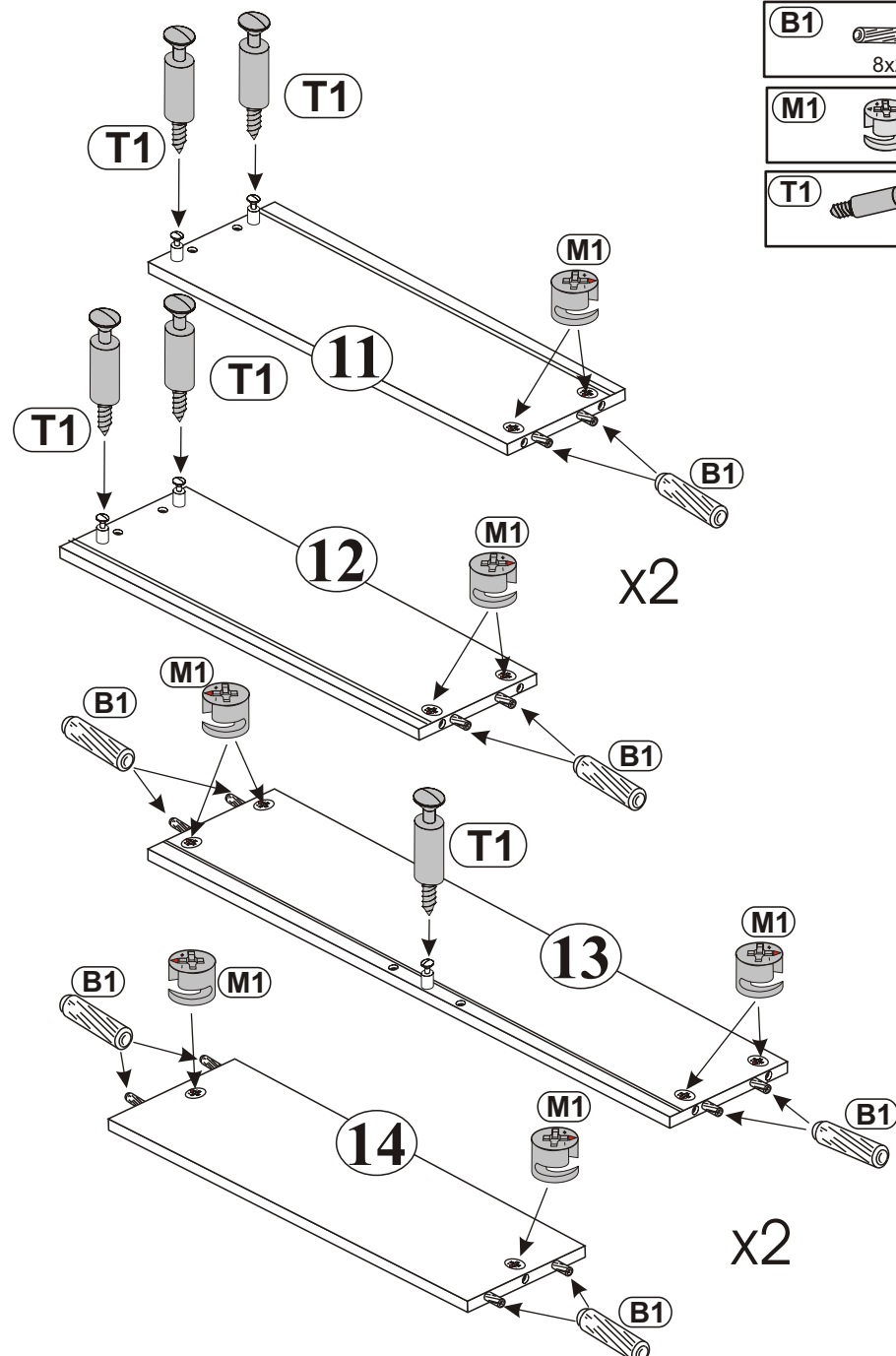
6

- (N20)  x2
- (S2)  4x30 x6



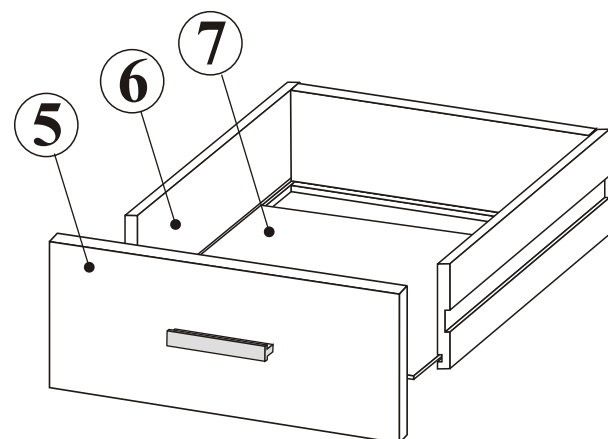
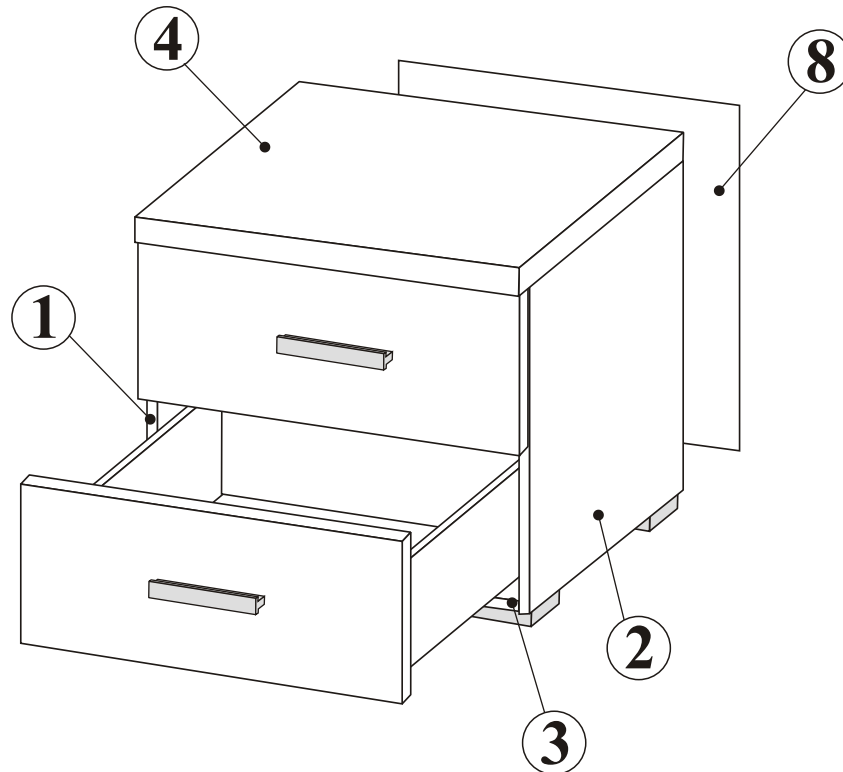
7

- (B1)  8x28 x24
- (M1)  x20
- (T1)  x10







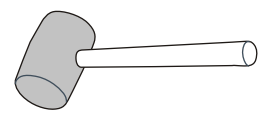
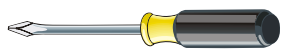
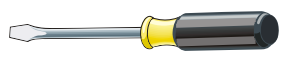
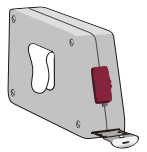
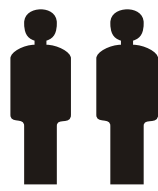


- NR 1**
- B1** 8x28 x8
  - M1** x8
  - T1** x8
  - J23** x4
  - L1** x1







- NR 2**
- R22** L-350 mm x2L/2R
  - E2** 6,3x11 x12
  - P3** 3x13mm x8
  - S3** 3,5x13 x4

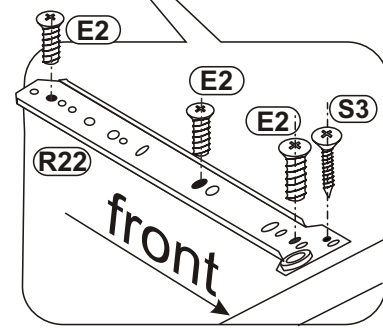
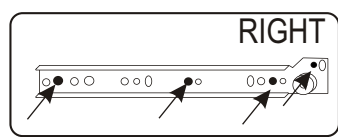
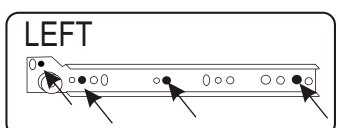
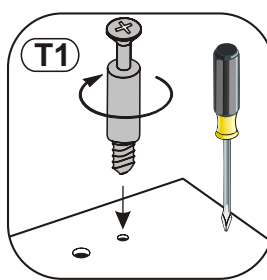
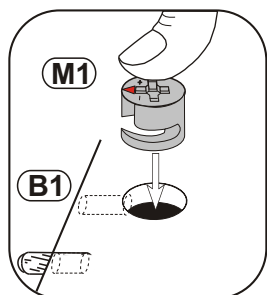
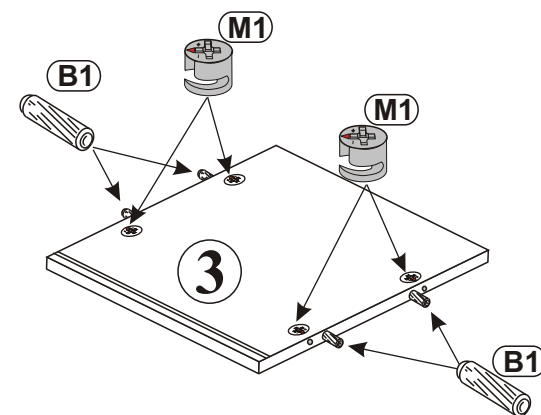
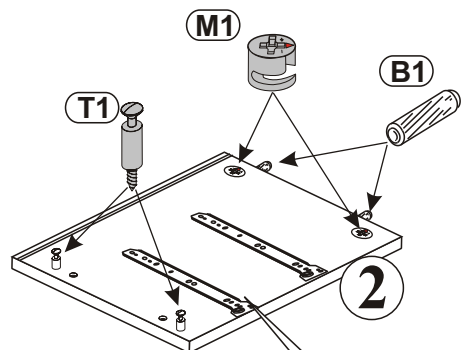
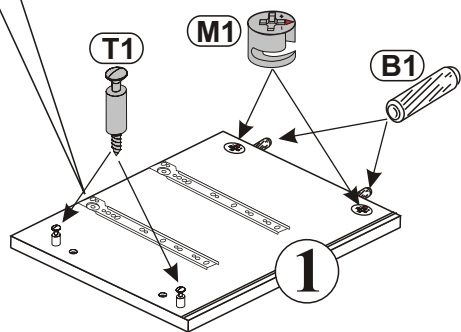
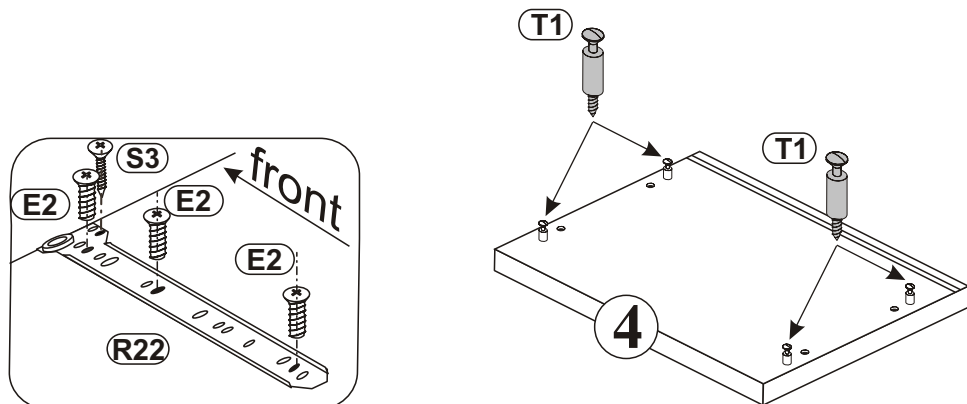
- NR 3**
- U20** x2
  - P5** 4x25 x4

- NR 4**
- N20** x4
  - S2** 4x30 x8

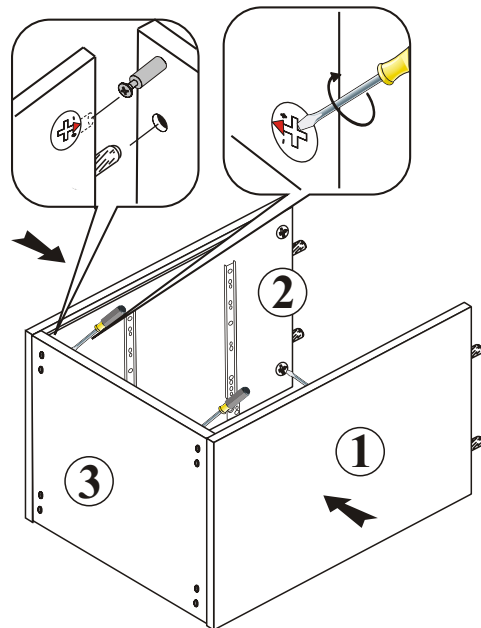


1

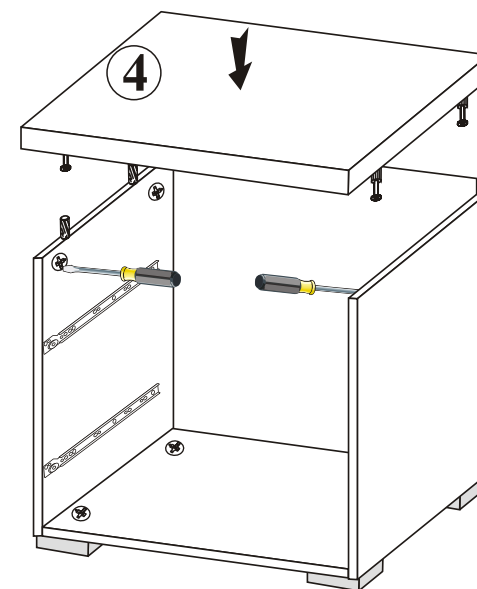
<b>E2</b>  6,3x11 x12	<b>B1</b>  8x28 x8
<b>S3</b>  3,5x13 x4	<b>M1</b>  x8
	<b>T1</b>  x8
<b>R22</b> L-350 mm  x2L/2R	



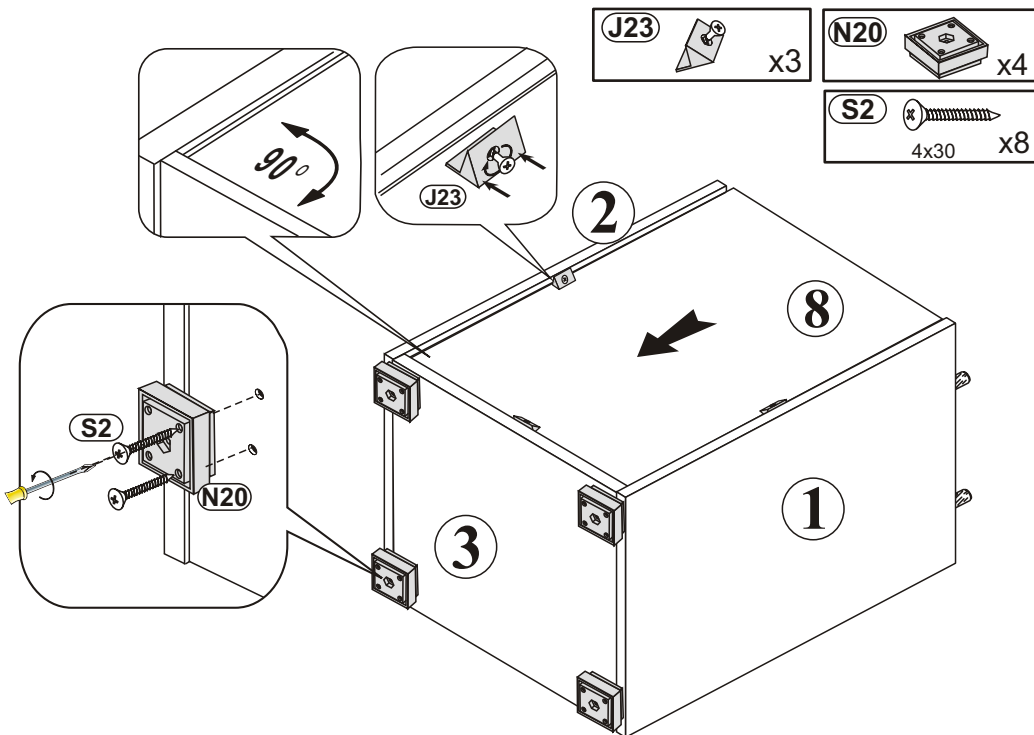
2



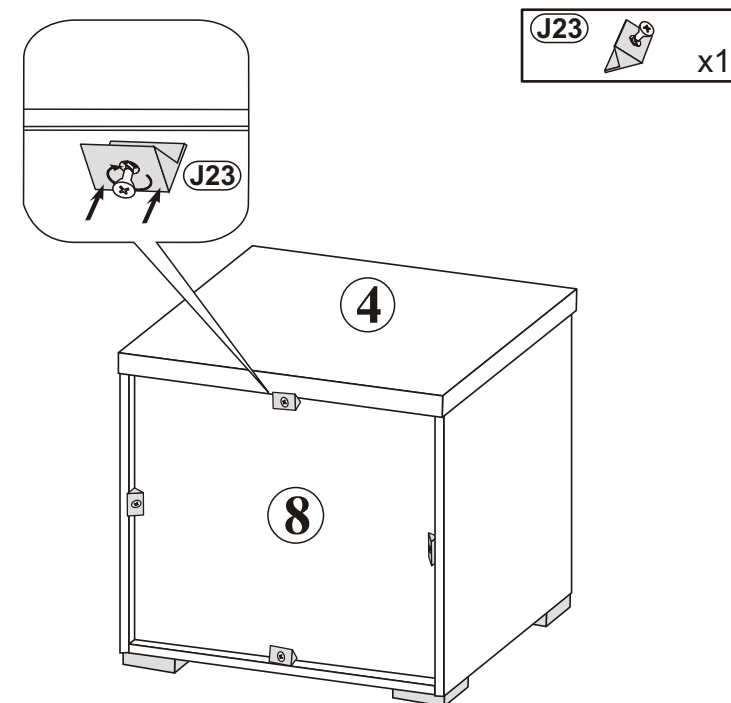
4



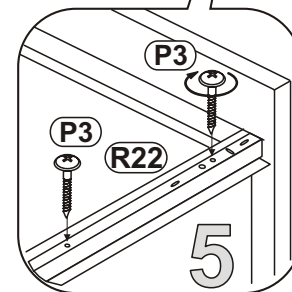
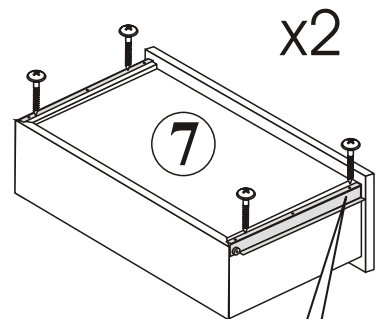
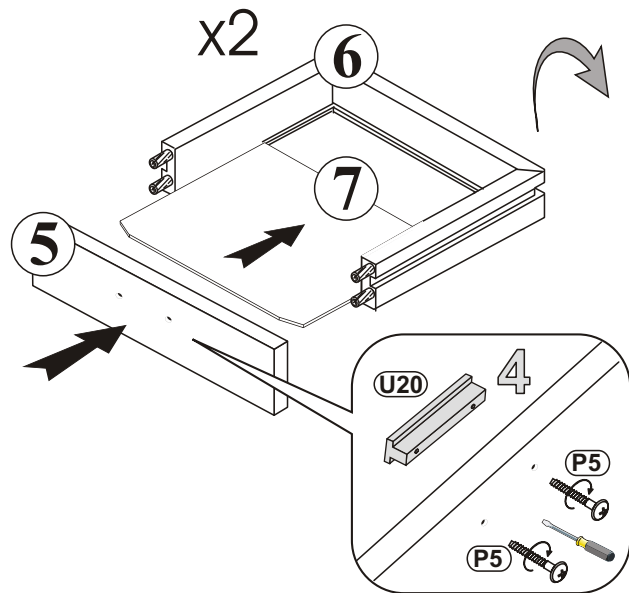
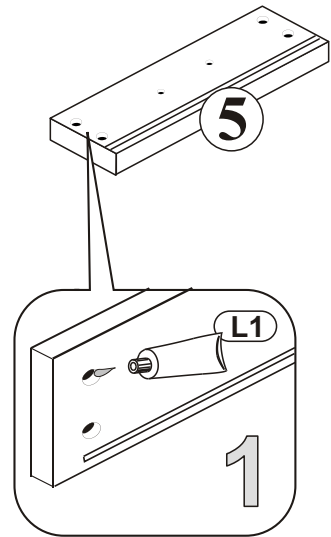
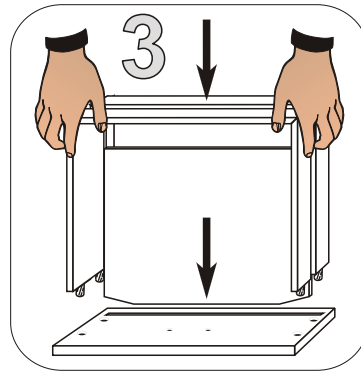
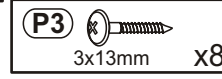
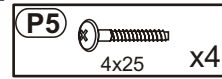
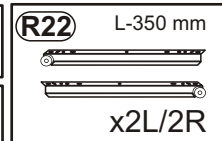
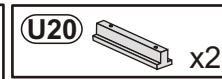
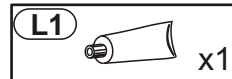
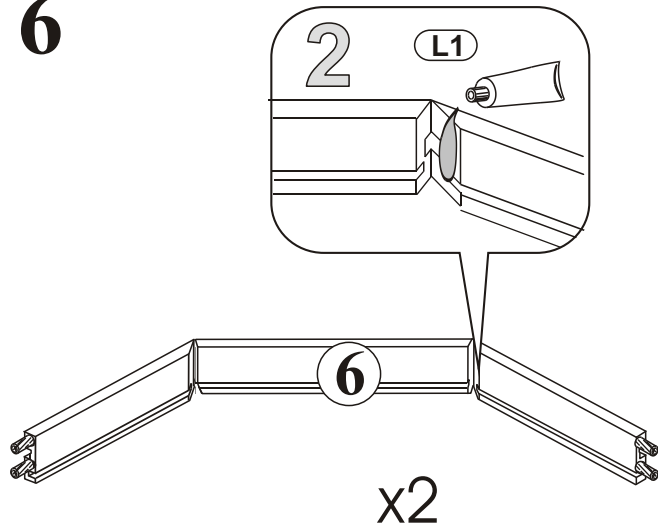
3



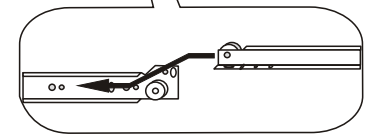
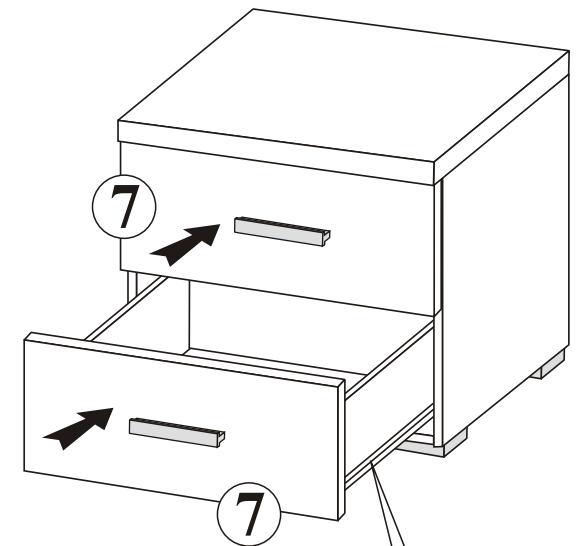
5

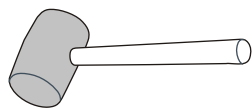
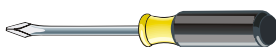
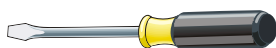
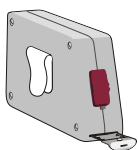
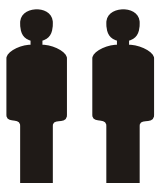
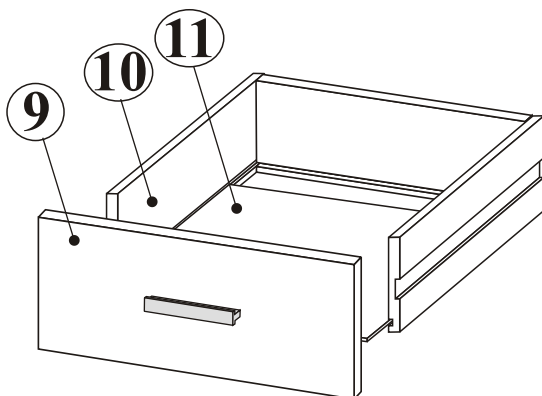
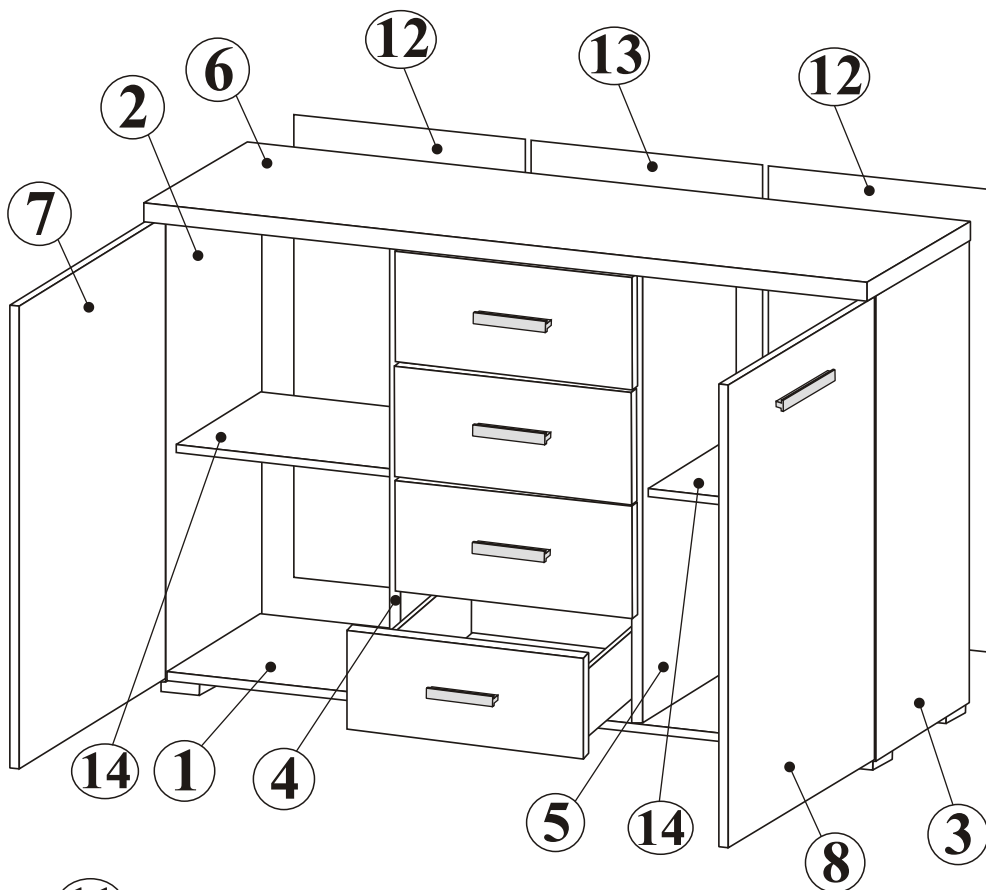
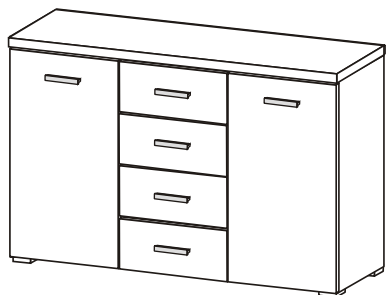


6



7





- NR 1**
- B1** 8x28 x16
  - M1** x16
  - T1** x16
  - C2** x8
  - J23** x20
  - F1** x8
  - S4** 3,0x20 x8
  - W1** x8
  - L1** x1
- NR 5**
- N20** x6
  - S2** 4x30 x12

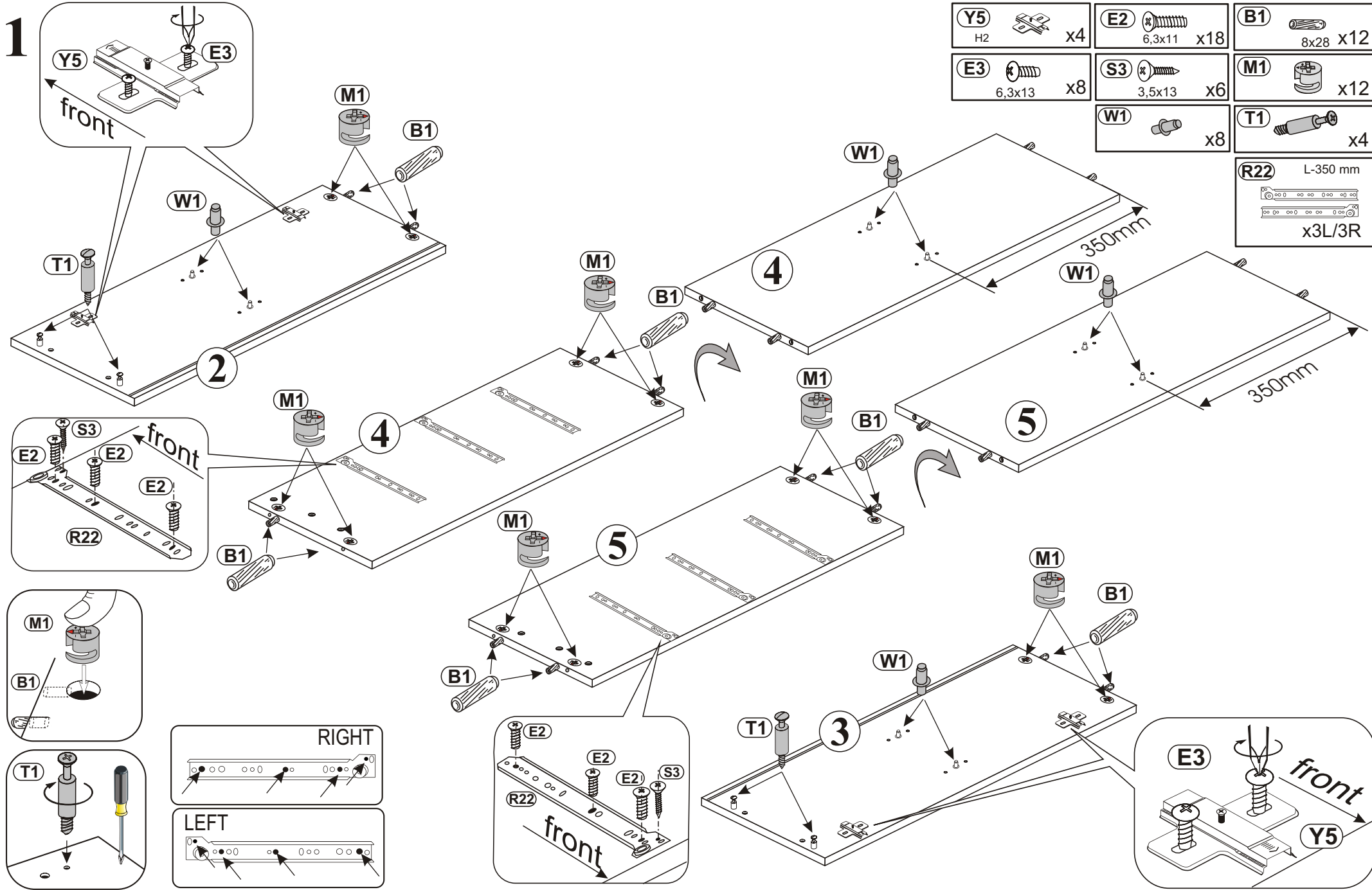
- NR 2**
- R22** L-350 mm x4L/4R
  - E2** 6,3x11 x24
  - P3** 3x13mm x16
  - S3** 3,5x13 x8

- NR 3**
- Y0** 26 KR0 x4
  - Y5** H2 x4
  - S8** 4x13 mm x8
  - E3** 6,3x13 x8

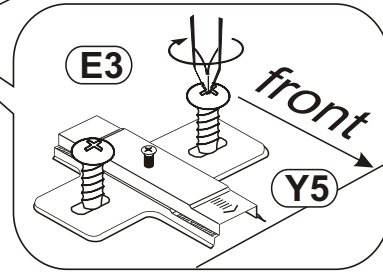
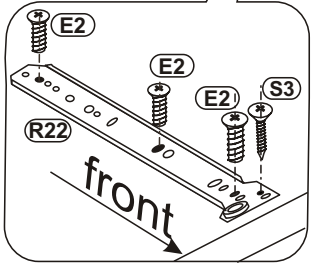
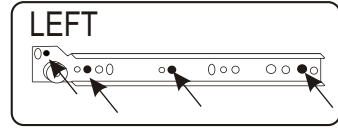
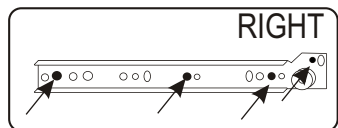
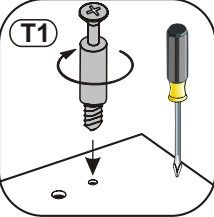
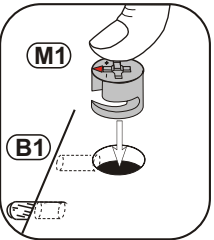
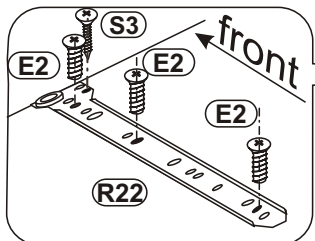
- NR 4**
- U20** x6
  - P5** 4x25 x12






1

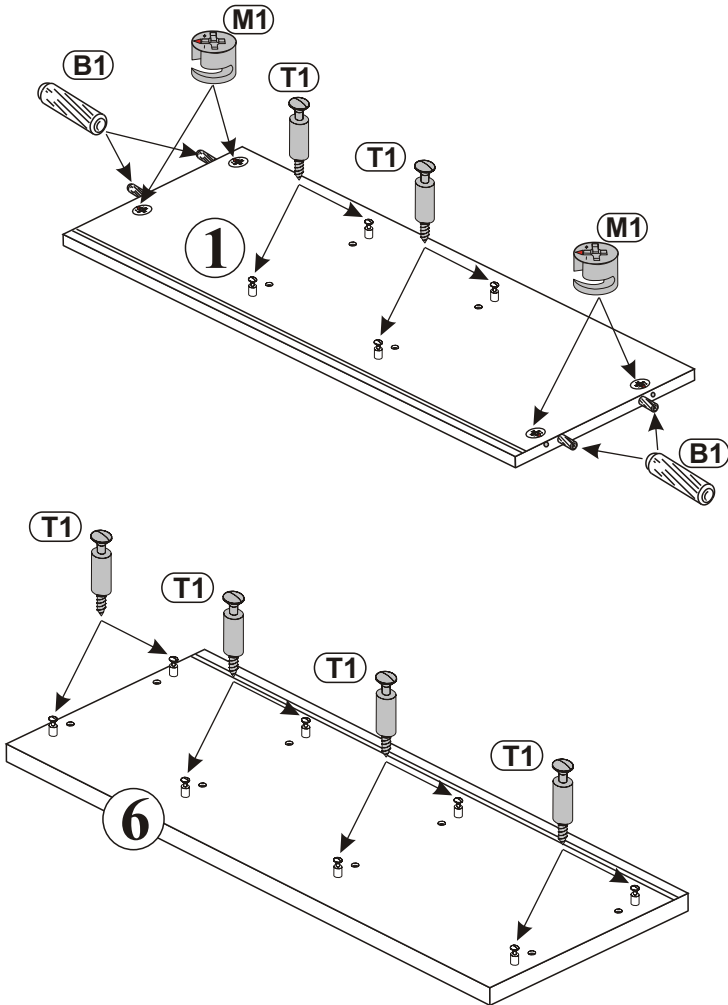


<b>Y5</b> H2 x4	<b>E2</b> 6,3x11 x18	<b>B1</b> 8x28 x12
<b>E3</b> 6,3x13 x8	<b>S3</b> 3,5x13 x6	<b>M1</b> x12
<b>W1</b> x8	<b>T1</b> x4	
<b>R22</b> L-350 mm x3L/3R		

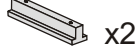

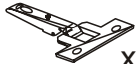



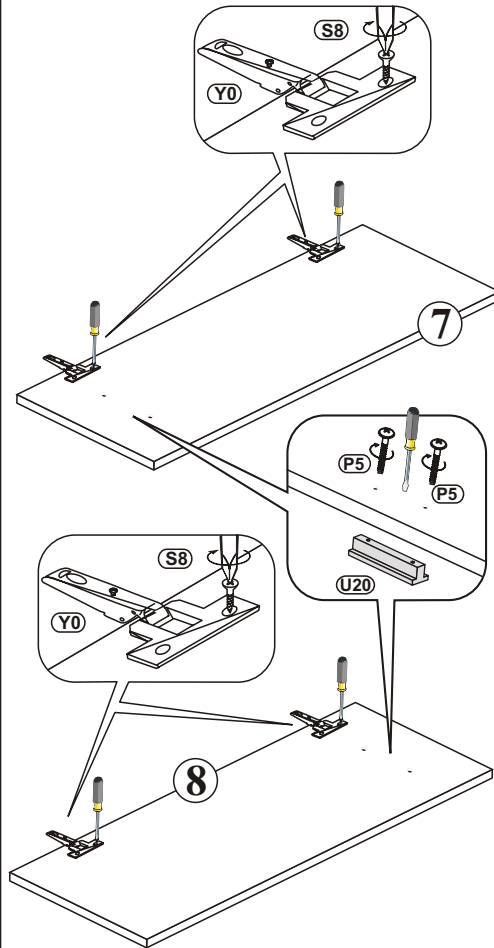
2

- (B1)**  8x28 x4
- (M1)**  x4
- (T1)**  x12

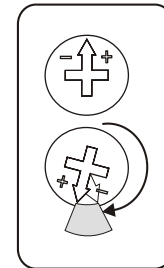
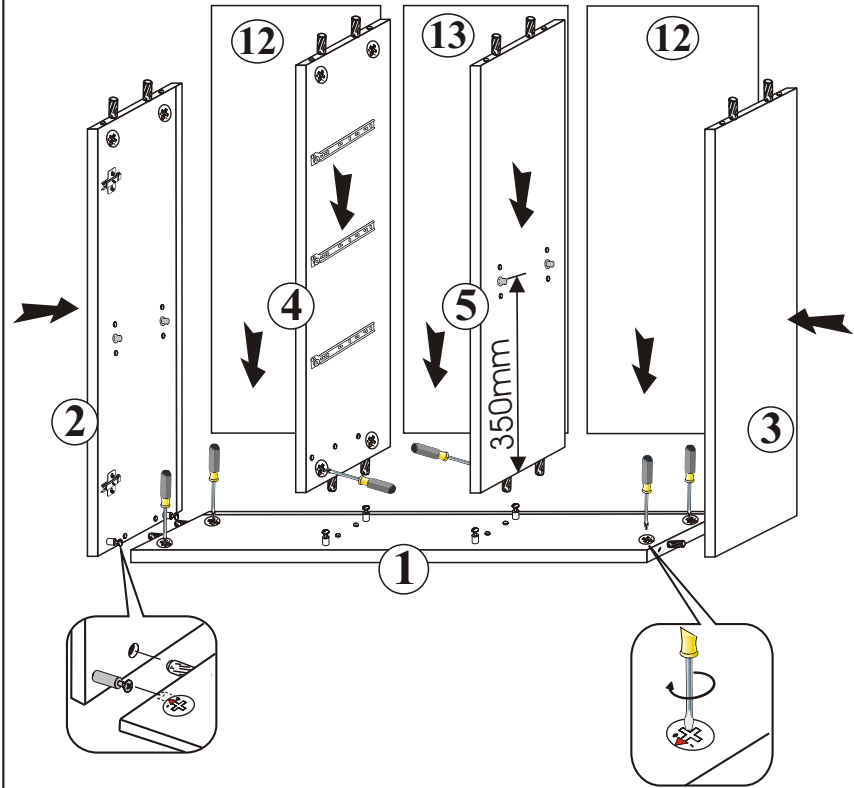


3

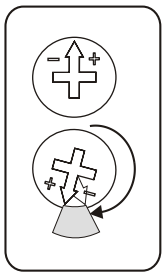
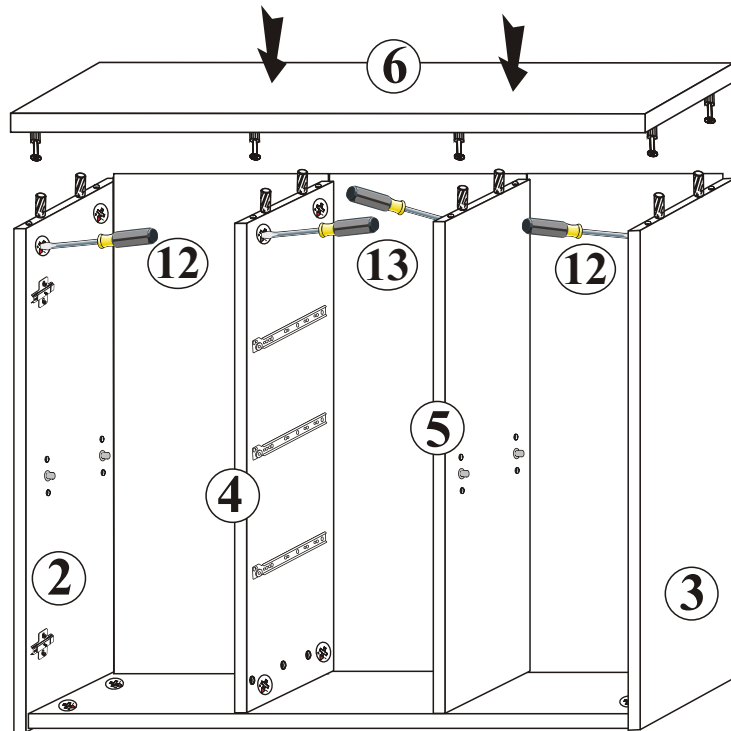
- (U20)**  x2
- (P5)**  4x25 x4
- (Y0)**  26 x4
- (S8)**  4x13 mm x8



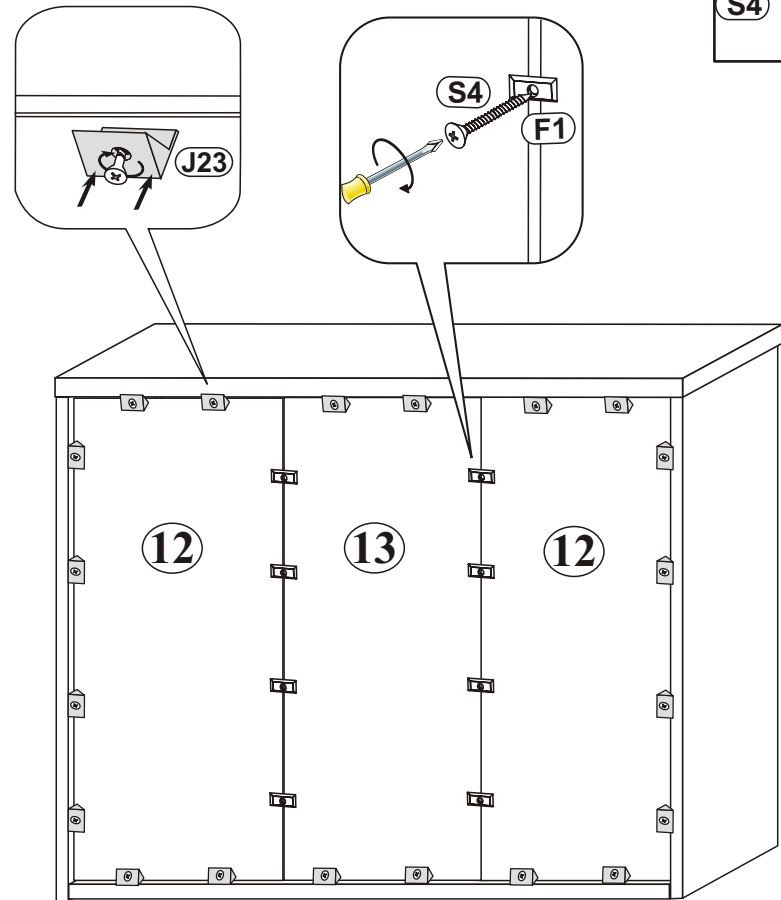
4






5



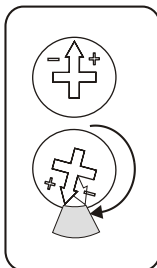
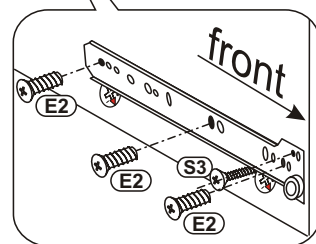
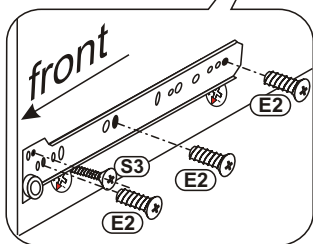
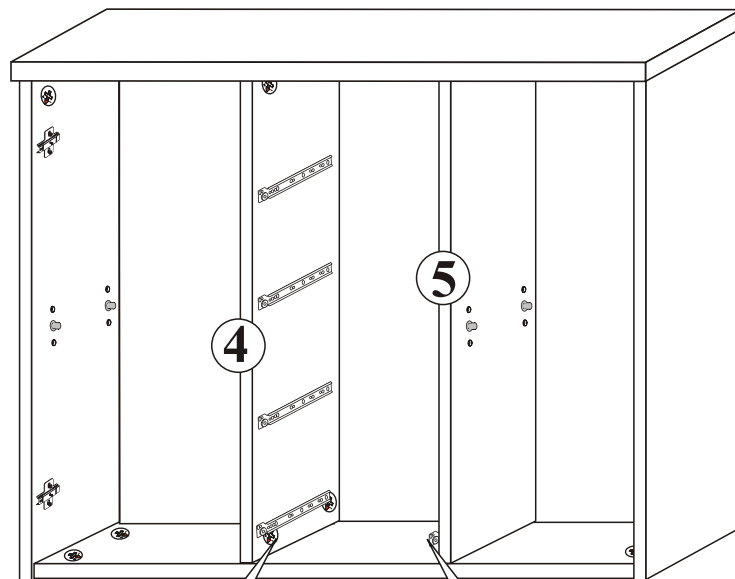
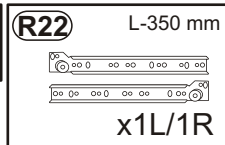
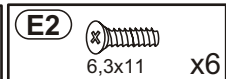
6



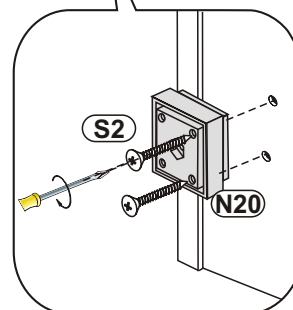
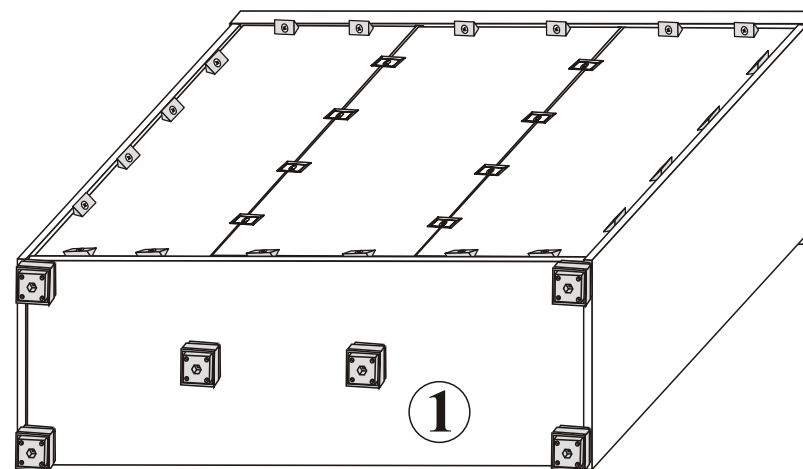
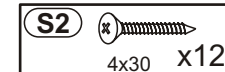
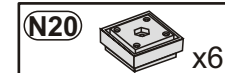
- J23**  x20
- F1**  x8
- S4**  3,0x20 x8



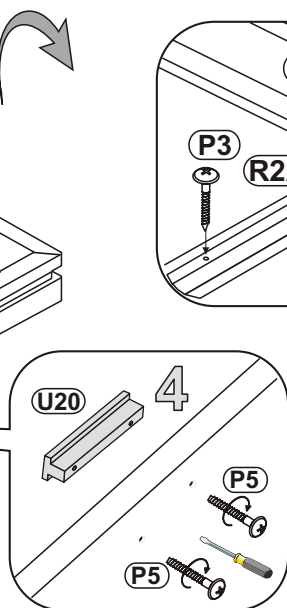
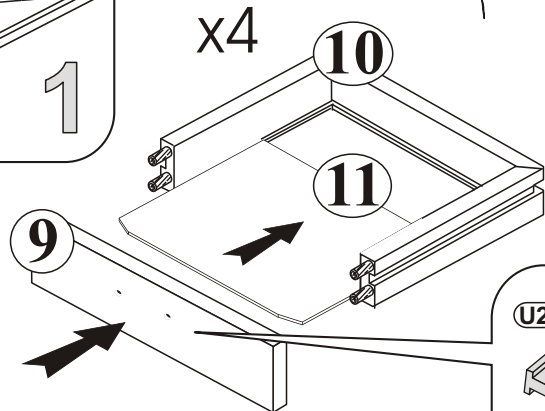
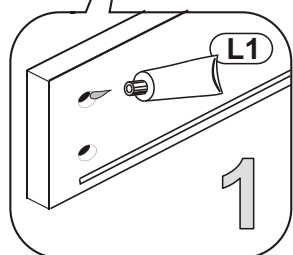
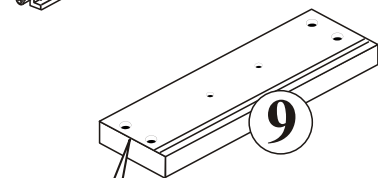
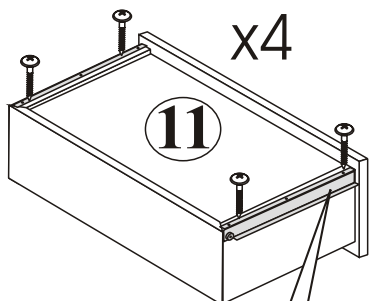
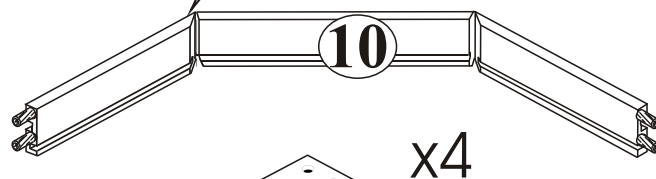
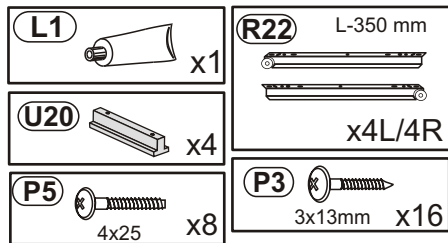
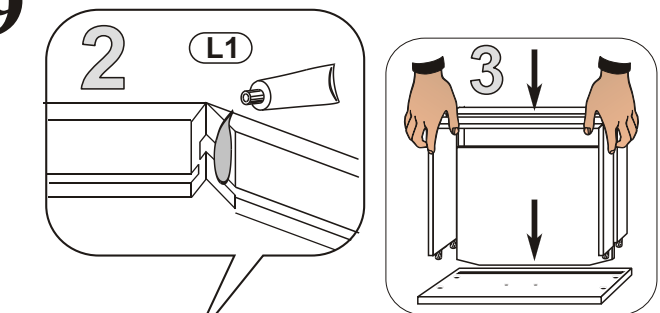
7



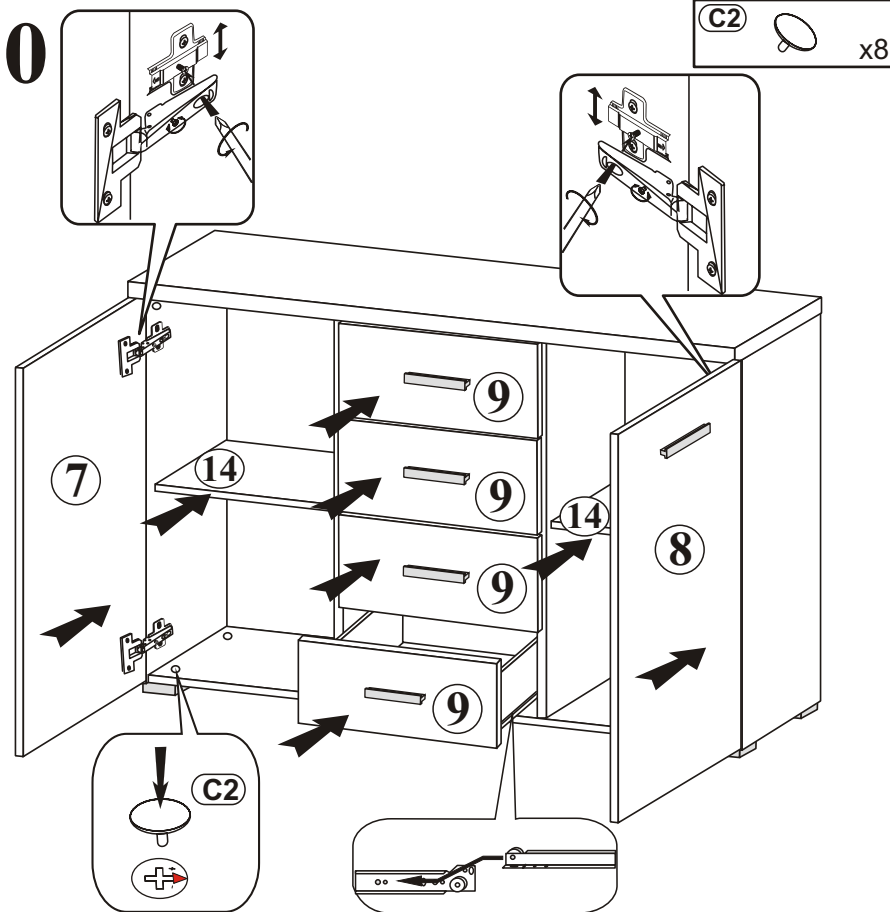
8



9



10



11

